



US00D787677S

(12) **United States Design Patent** (10) **Patent No.:** **US D787,677 S**
Grosshauser et al. (45) **Date of Patent:** **** May 23, 2017**

(54) **MEDICAL APPARATUS FOR IMAGING**

(56) **References Cited**

(71) Applicant: **Siemens Healthcare GmbH**, Erlangen (DE)

U.S. PATENT DOCUMENTS

(72) Inventors: **Carsten Grosshauser**, Erlangen (DE);
Donald Hardie, Moehrendorf (DE);
Gerhard Helmreich, Effeltrich (DE);
Dirk Licht, Munich (DE); **Bernd Maciejewski**, Markt Erlbach (DE);
Markus Mottscheller, Nuremberg (DE)

D564,096	S	*	3/2008	Banryu	D24/158
D683,025	S	*	5/2013	Banryu	D24/158
D701,309	S	*	3/2014	Ohmukai	D24/158
D714,450	S	*	9/2014	Park	D24/158
D715,945	S	*	10/2014	Zhang	D24/159
D726,918	S	*	4/2015	Gnielka	D24/158
D752,223	S	*	3/2016	Park	D24/158
2013/0184564	A1	*	7/2013	Ninomiya	A61B 5/0555 600/415

(73) Assignee: **Siemens Healthcare GmbH**, Erlangen (DE)

* cited by examiner

(**) Term: **15 Years**

Primary Examiner — Anhdao Doan

(21) Appl. No.: **29/549,461**

(74) *Attorney, Agent, or Firm* — Schiff Hardin LLP

(22) Filed: **Dec. 22, 2015**

(57) **CLAIM**

The ornamental design for a medical apparatus for imaging, as shown and described.

(30) **Foreign Application Priority Data**

DESCRIPTION

Jun. 24, 2015 (EM) 001437040

(51) **LOC (10) Cl.** **24-01**

(52) **U.S. Cl.**
USPC **D24/158**

(58) **Field of Classification Search**

USPC D24/158-161, 185, 186, 107

CPC .. A61B 5/05; A61B 5/055; A61B 6/03; A61B

6/035

See application file for complete search history.

FIG. 1 is a front elevational view of the medical apparatus for imaging of the present disclosure;
FIG. 2 is a back elevational view thereof;
FIG. 3 is a top plan view thereof;
FIG. 4 is a bottom plan view thereof;
FIG. 5 is a side elevational view of the right side thereof;
FIG. 6 is a side elevational view of the left side thereof; and,
FIG. 7 is a perspective view taken generally from the upper, front, right-hand side thereof.

1 Claim, 7 Drawing Sheets

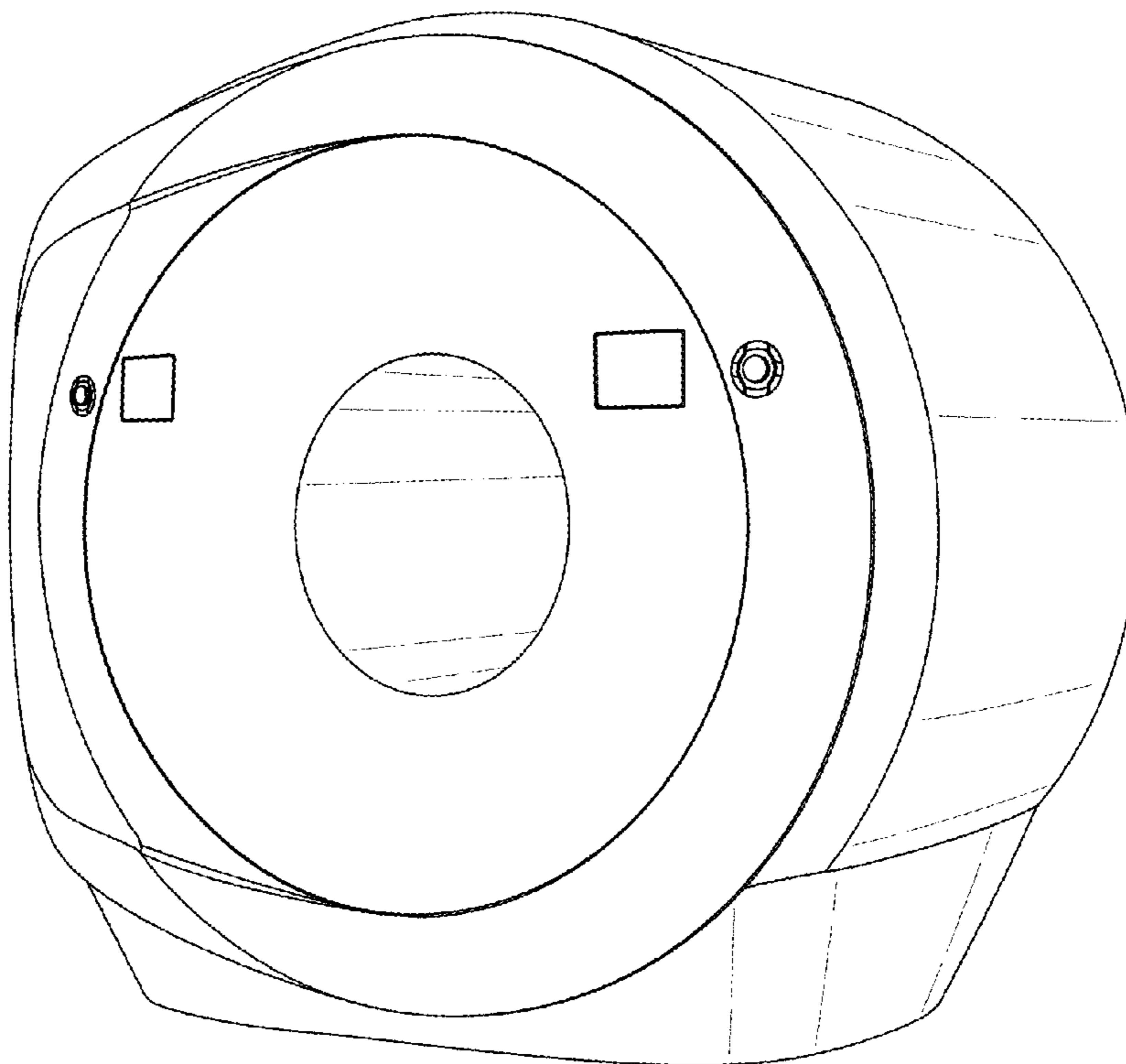


FIG 1

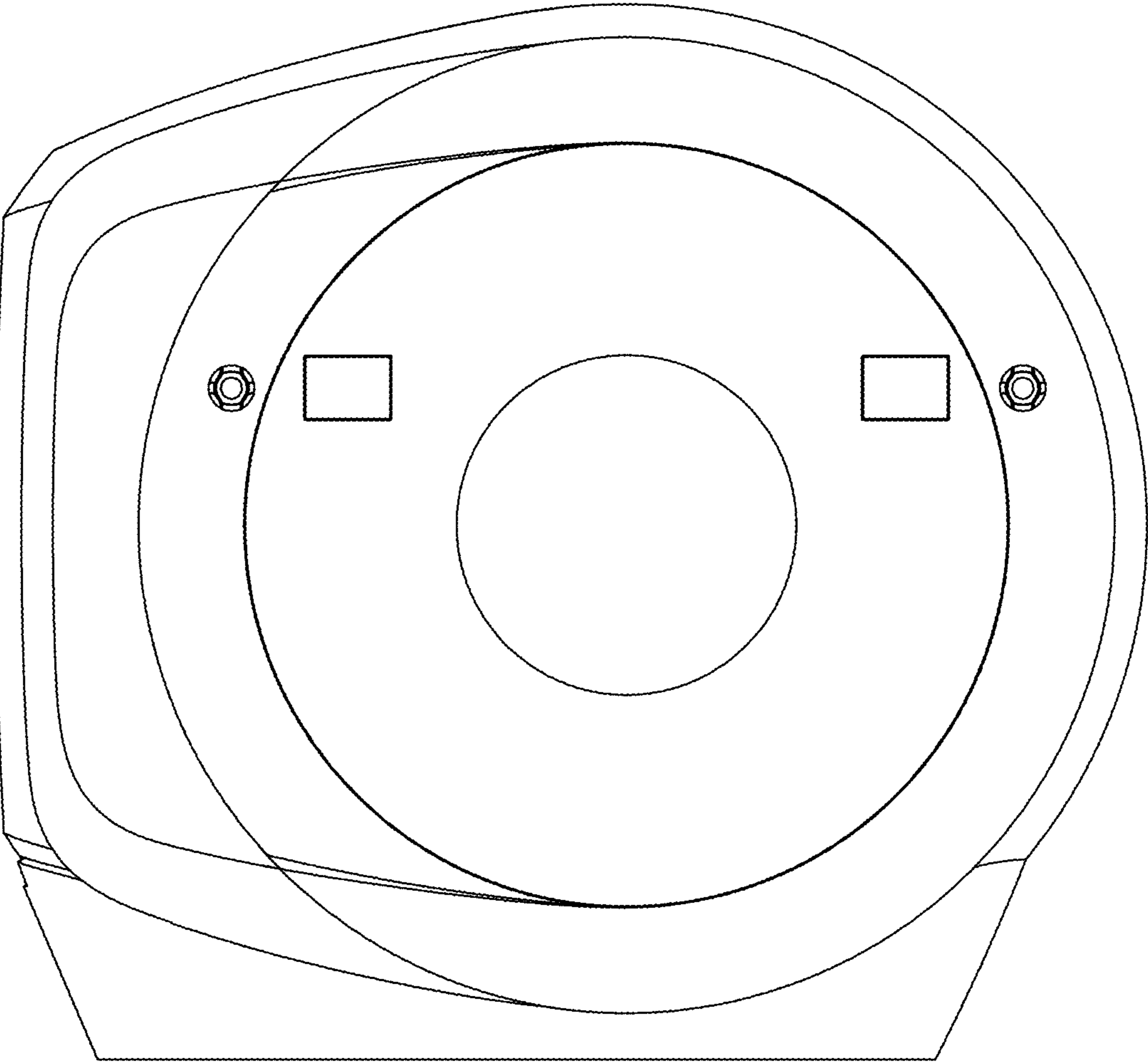


FIG 2

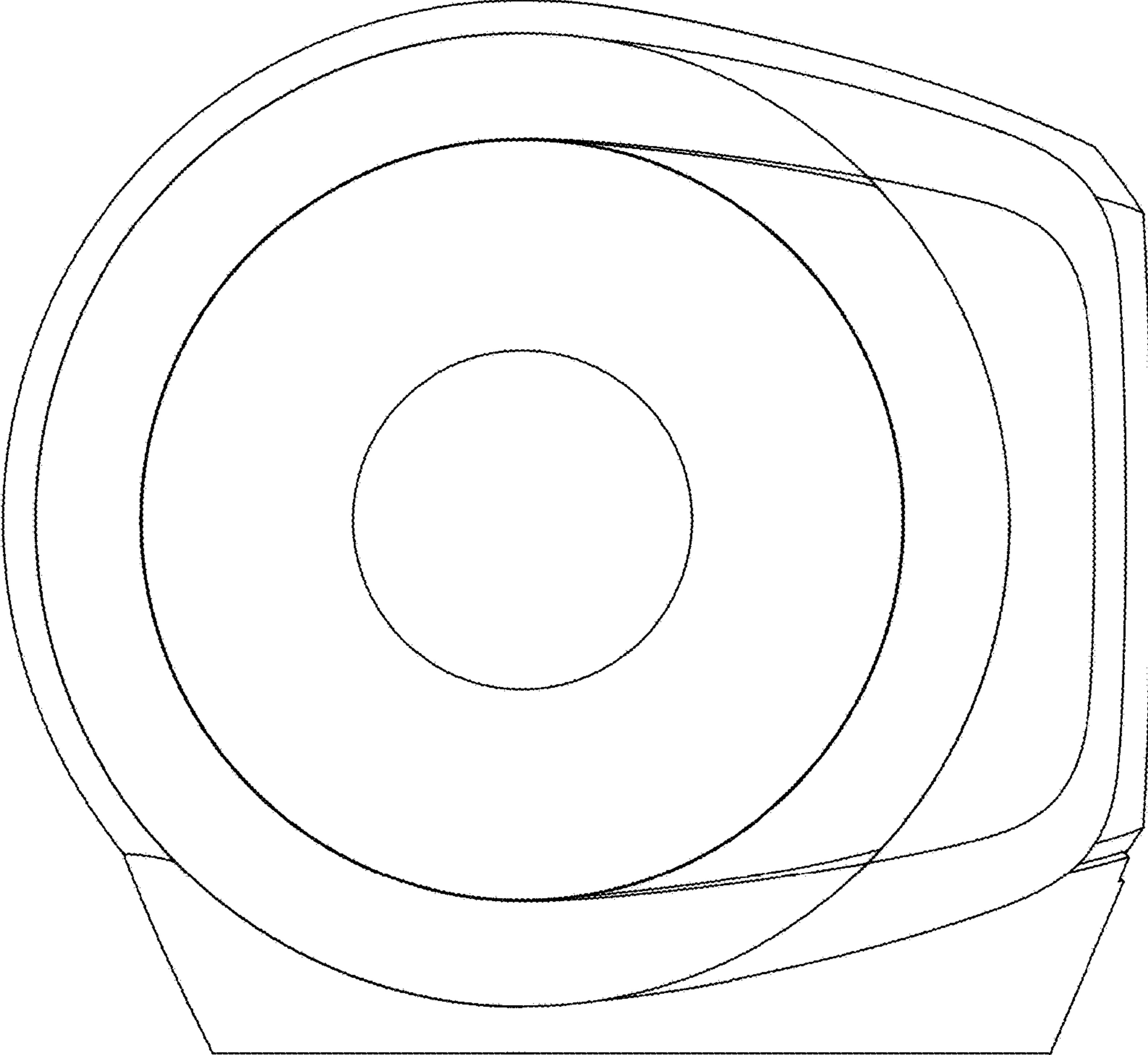


FIG 3

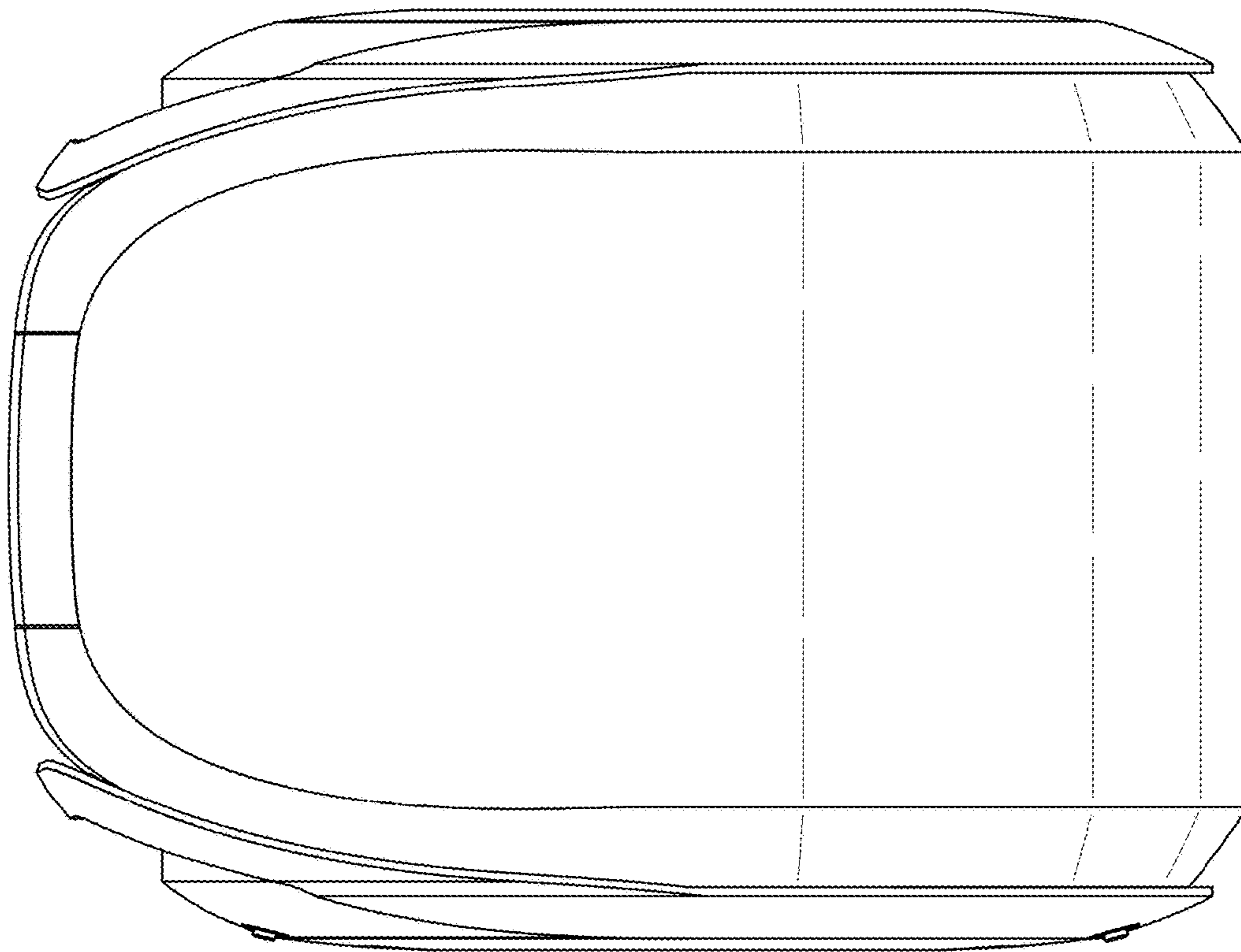


FIG 4

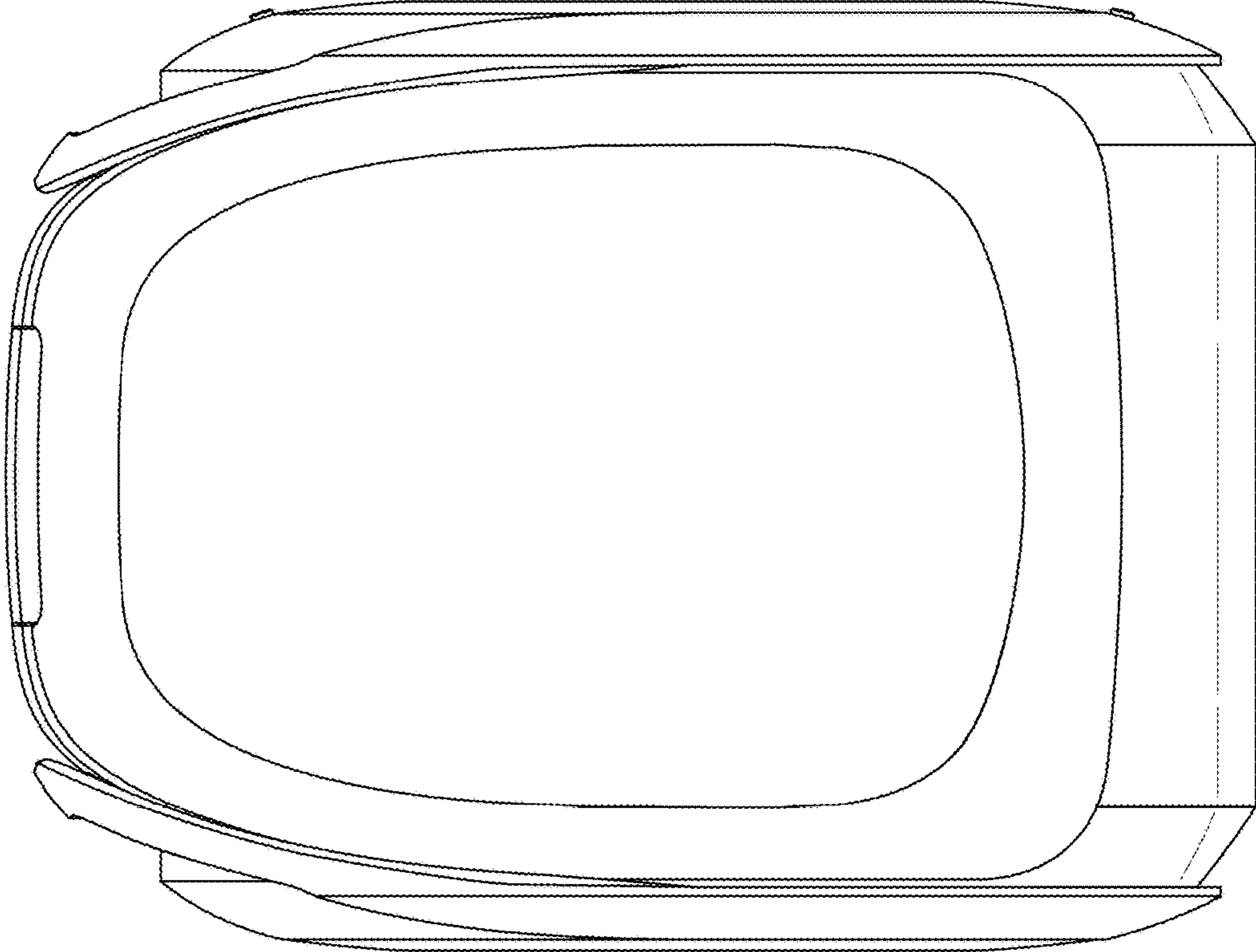


FIG 5

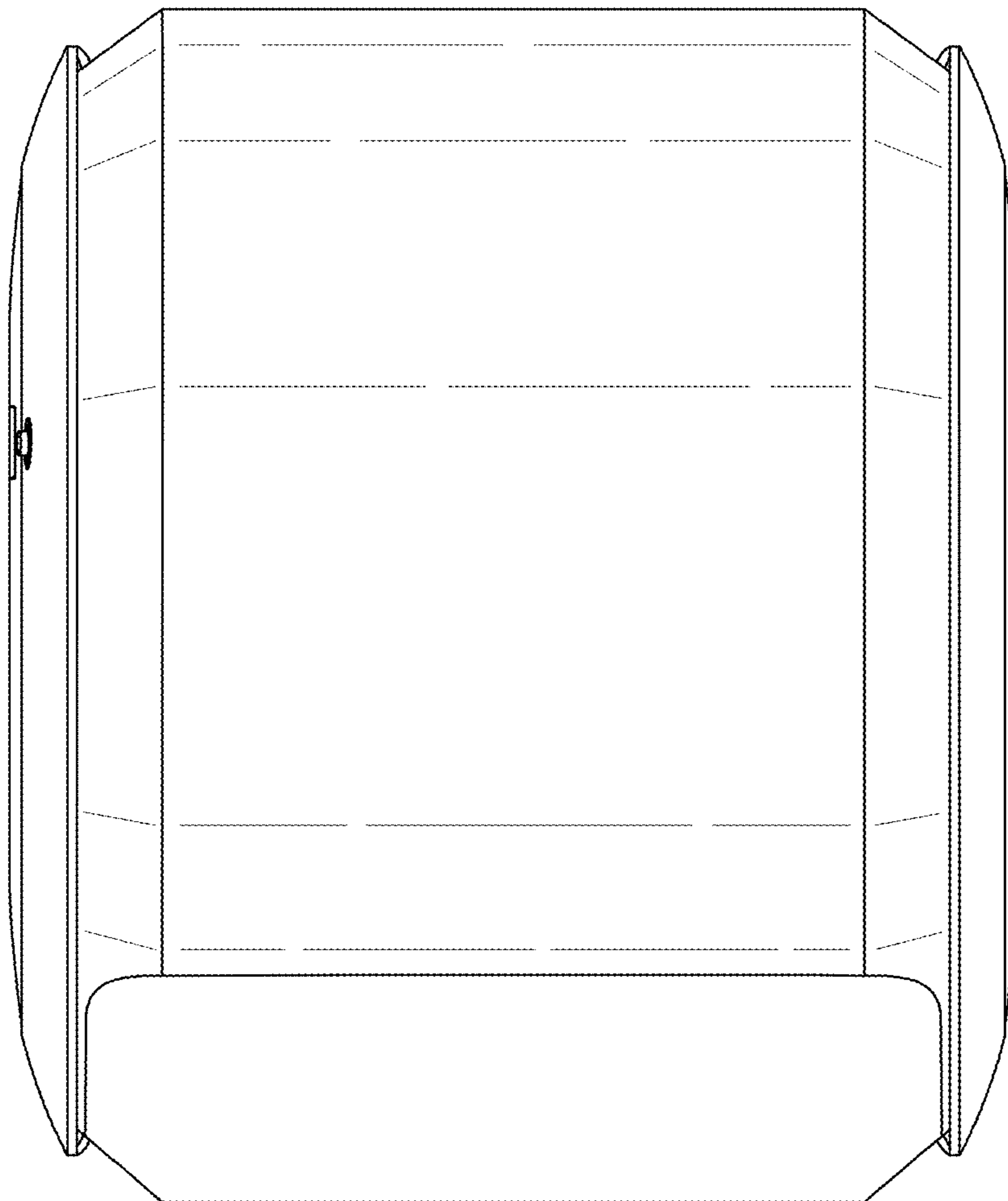


FIG 6

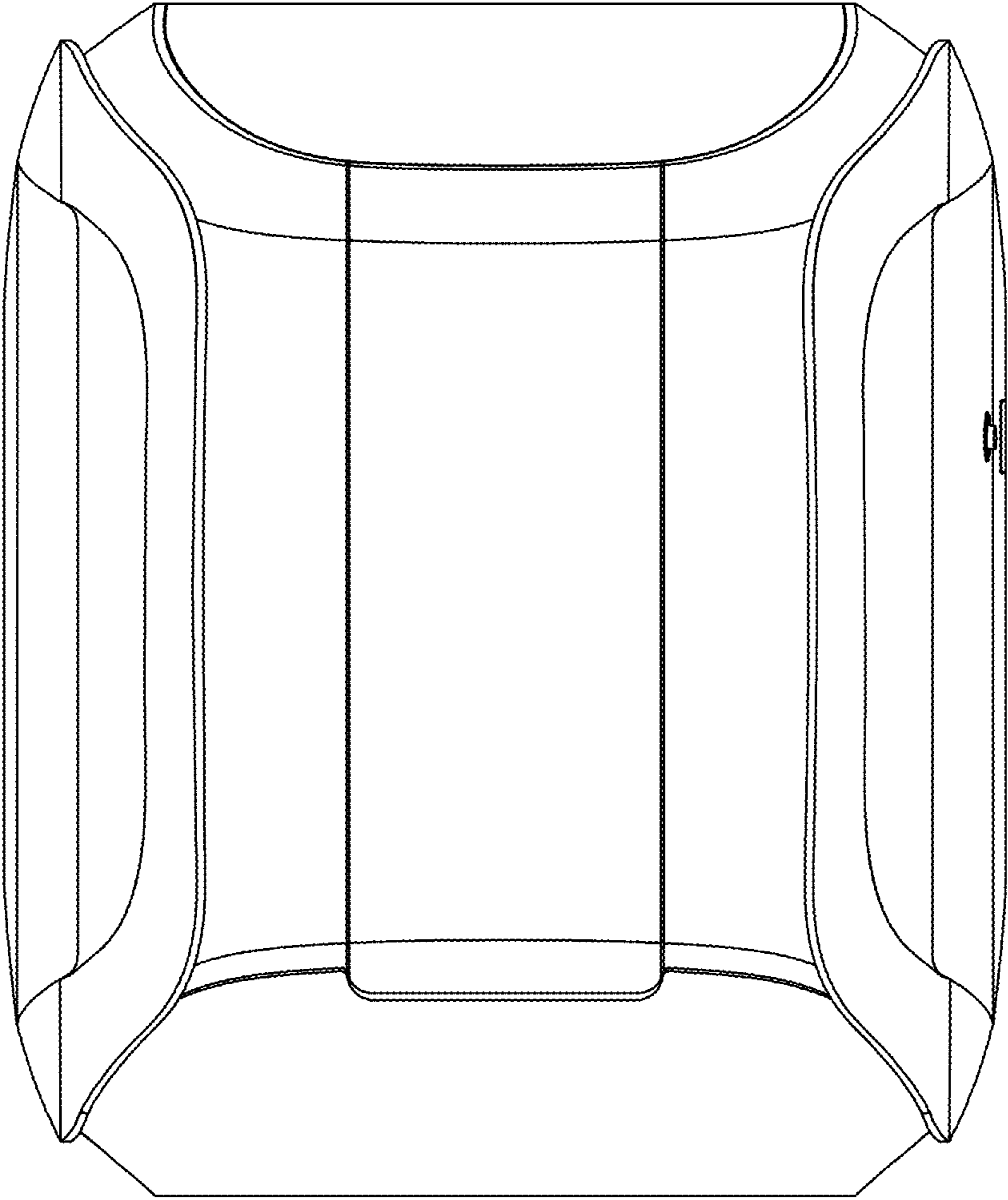


FIG 7

