



US00D787676S

(12) **United States Design Patent** (10) **Patent No.:** **US D787,676 S**
Bolinches (45) **Date of Patent:** **** May 23, 2017**

(54) **DENTAL IMPLANT**

(71) Applicant: **CLINICA AVIÑO, S.L.**, Valencia (ES)

(72) Inventor: **Juan Manuel Aviño Bolinches**,
Valencia (ES)

(**) Term: **15 Years**

(21) Appl. No.: **35/500,063**

(22) Filed: **Jul. 3, 2015**

(80) **Hague Agreement Data**

Int. Filing Date: **Jul. 3, 2015**

Int. Reg. No.: **DM/086944**

Int. Reg. Date: **Jul. 3, 2015**

Int. Reg. Pub. Date: **Jul. 24, 2015**

(51) **LOC (10) Cl.** **24-03**

(52) **U.S. Cl.**
USPC **D24/156**

(58) **Field of Classification Search**
USPC D24/568-603, 900-901; D8/387;
D15/21, 28; 423/172-174; 606/74, 304;
623/11.11, 17.16, 17.17, 23.26, 23.27
CPC A61C 8/00; A61C 8/0001; A61C 8/0012;
A61C 8/0039; A61C 8/0054; A61C
8/006; A61C 8/0063; A61C 8/0069; A61C
8/0075; A61C 8/0089; A61C 8/0096;
A61C 13/225

See application file for complete search history.

(56) **References Cited**

U.S. PATENT DOCUMENTS

D296,362 S * 6/1988 Branemark D24/156
D469,535 S * 1/2003 Lidskog D24/156
D503,803 S * 4/2005 Shalaby D24/156
D507,650 S * 7/2005 Teich D24/156
D565,181 S * 3/2008 Anitua Aldecoa D24/156
D588,699 S * 3/2009 Aldecoa D24/156

D588,700 S * 3/2009 Anitua Aldecoa D24/156
D601,253 S * 9/2009 Kahdemann D24/156
D601,703 S * 10/2009 Kahdemann D24/156
D603,514 S * 11/2009 Emanuelli D24/156
D620,117 S * 7/2010 Dawson D24/156
D653,344 S * 1/2012 Bar-Shalom D24/156
D659,247 S * 5/2012 Lussi D24/156
D665,910 S * 8/2012 Hung D24/156
D666,295 S * 8/2012 Hung D24/156
D666,298 S * 8/2012 Sibhatu D24/156
D667,955 S * 9/2012 Spahn D24/156
D689,610 S * 9/2013 Dukhan D24/156
2012/0237898 A1 * 9/2012 Palti A61C 8/0025
433/174
2013/0273500 A1 * 10/2013 Giorno A61C 8/0022
433/174
2014/0186799 A1 * 7/2014 Pan A61C 8/0025
433/174
2014/0272793 A1 * 9/2014 Grant A61C 8/0089
433/174
2014/0342315 A1 * 11/2014 Avino Bolinches . A61C 8/0018
433/174
2014/0363787 A1 * 12/2014 Tissi A61C 8/0022
433/174
2015/0037758 A1 * 2/2015 Tatum, Jr. A61C 8/0022
433/174

* cited by examiner

Primary Examiner — Darlington Ly

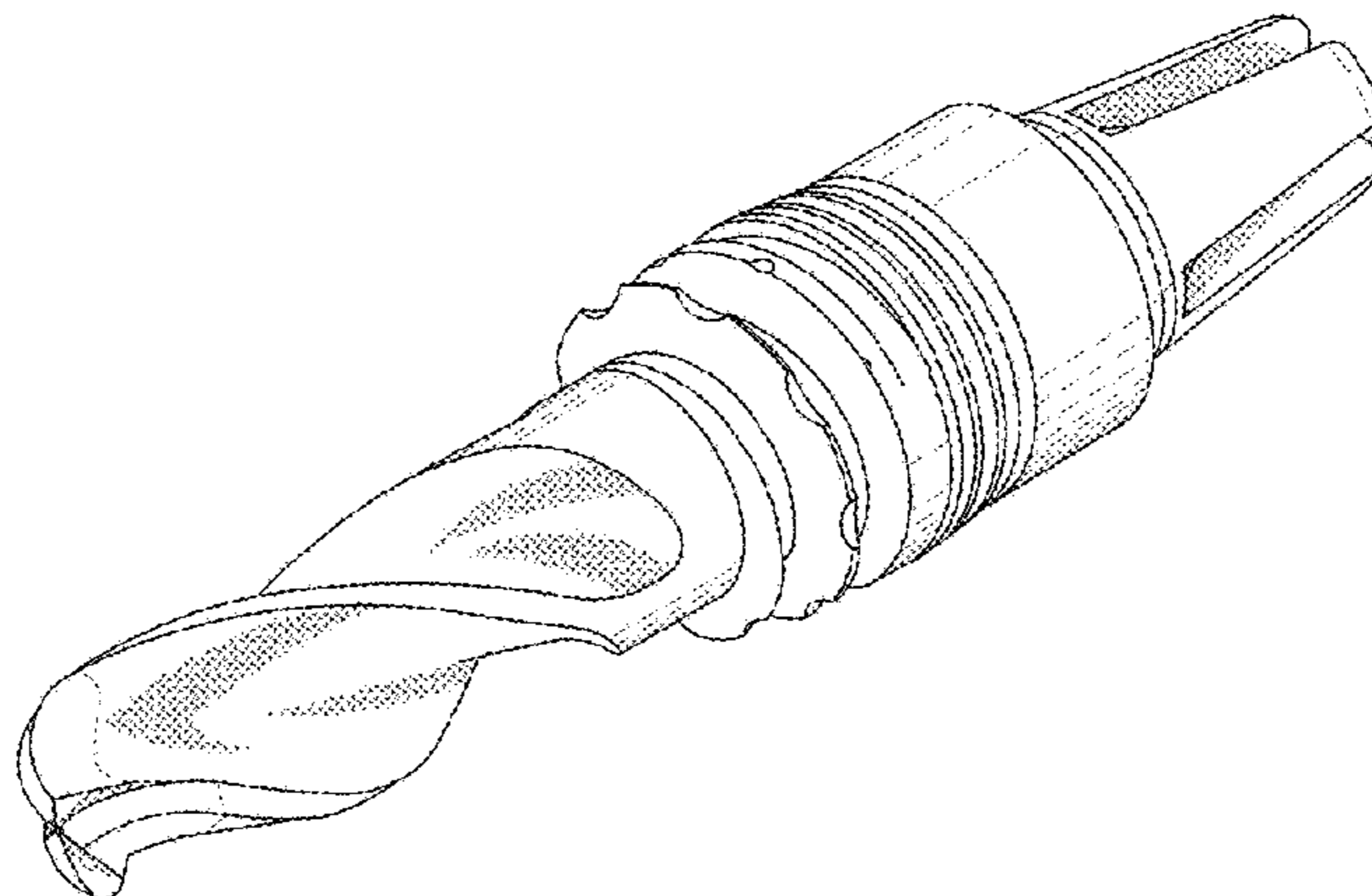
(57) **CLAIM**

The ornamental design for a dental implant, as shown and described.

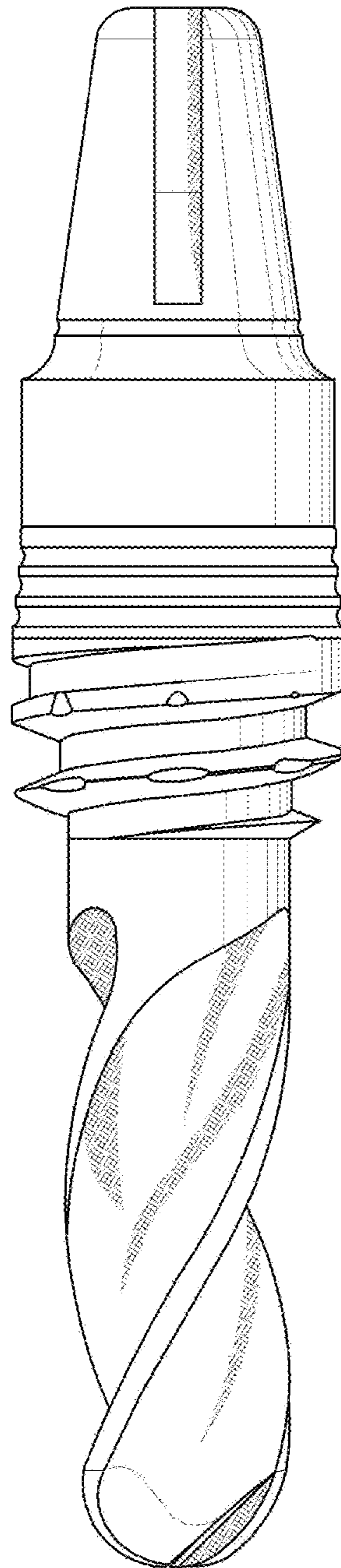
DESCRIPTION

- 1.1 is a front elevational view of the dental implant showing my new design;
- 1.2 is a top and front perspective view thereof;
- 1.3 is a bottom and side perspective view thereof;
- 1.4 is a top plan view thereof;
- 1.5 is a bottom and rear perspective view thereof; and
- 1.6 is a bottom plan view thereof.

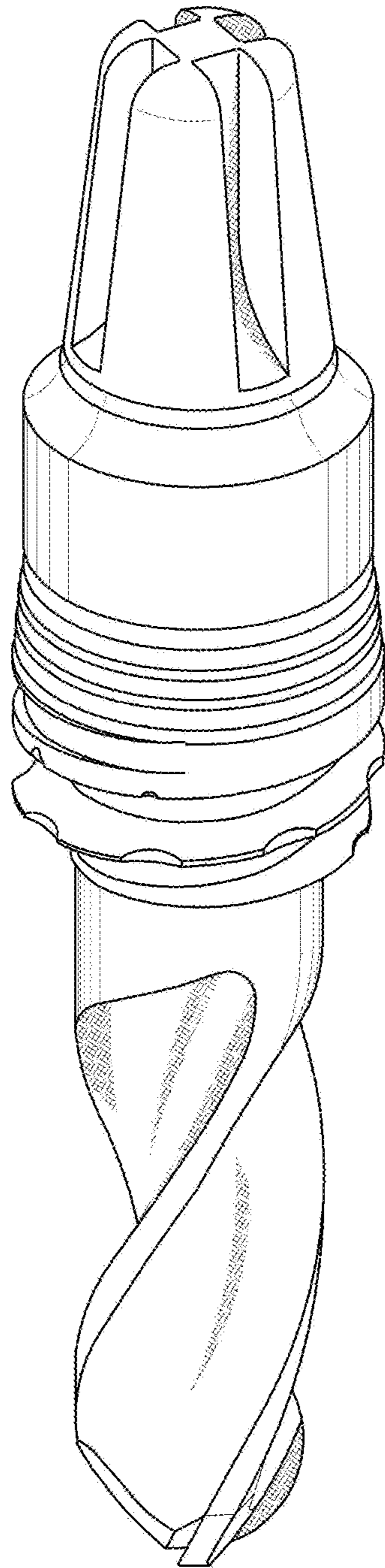
1 Claim, 4 Drawing Sheets



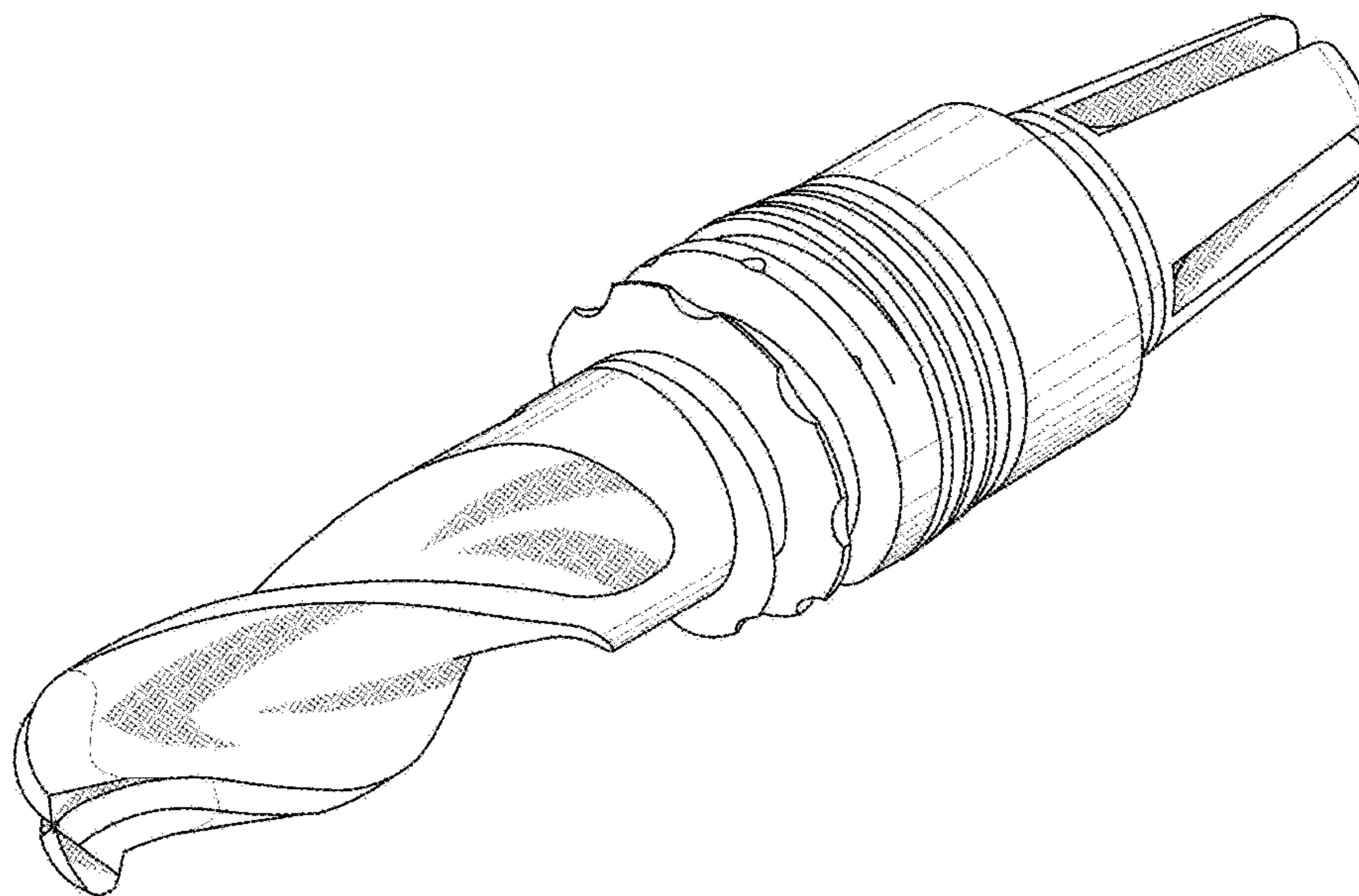
1.1



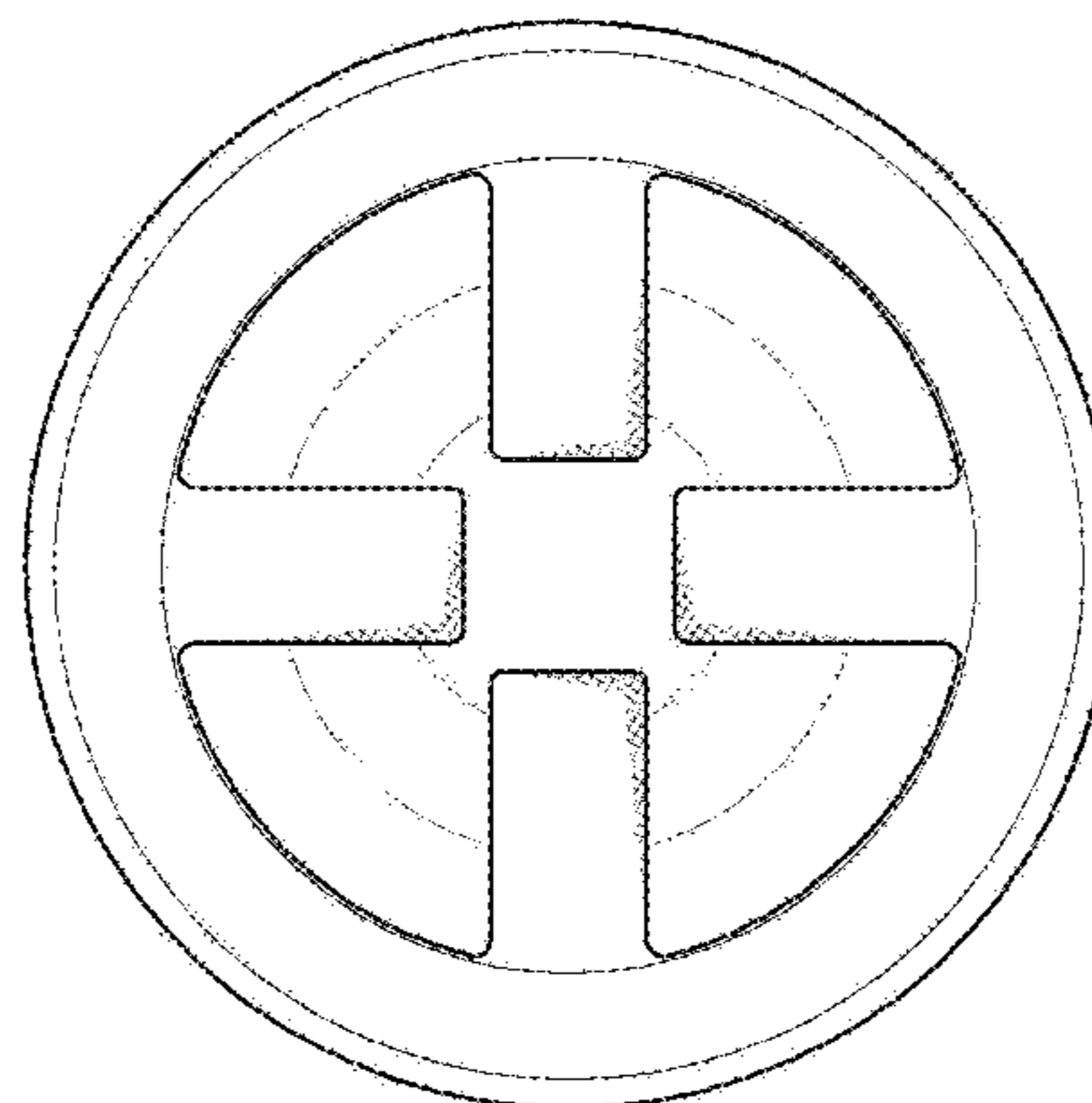
1.2



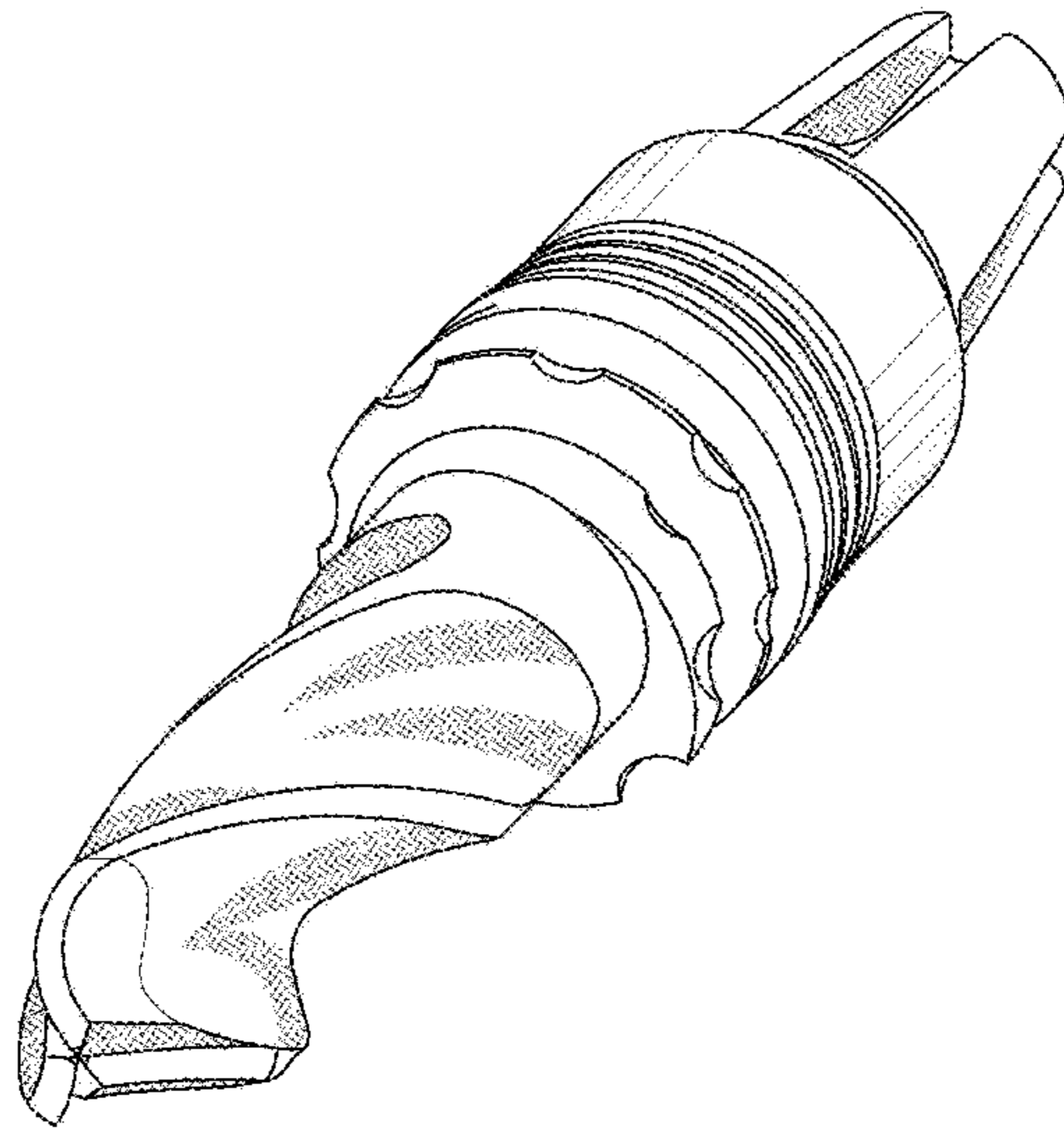
1.3



1.4



1.5



1.6

