



US00D787671S

(12) **United States Design Patent** (10) **Patent No.:** **US D787,671 S**
Orr (45) **Date of Patent:** **** May 23, 2017**

(54) **MEATUS MEASURING TOOL**
(71) Applicant: **Robert Orr**, Vancouver (CA)
(72) Inventor: **Robert Orr**, Vancouver (CA)
(73) Assignee: **Robert Orr**, Vancouver (CA)
(**) Term: **15 Years**
(21) Appl. No.: **29/545,812**
(22) Filed: **Nov. 16, 2015**

4,964,222 A * 10/1990 Keener G01B 3/30
29/8
5,199,180 A * 4/1993 Yablonsky G01B 3/30
33/501.45
7,181,858 B2 * 2/2007 Haug G01B 5/025
33/514.1
D597,204 S * 7/2009 Oberlaender D24/133
9,050,049 B2 * 6/2015 Ryan A61B 5/1076
D761,137 S * 7/2016 Powell D10/64
2014/0068954 A1 * 3/2014 Al-Dhafiri G01B 3/08
33/21.1
2014/0330301 A1 * 11/2014 Isham A61M 25/1002
606/197

(30) **Foreign Application Priority Data**
Nov. 13, 2015 (CA) 165380
(51) **LOC (10) Cl.** **24-02**
(52) **U.S. Cl.**
USPC **D24/140**; D24/133; D24/135; D24/141
(58) **Field of Classification Search**
USPC D24/135, 231, 133, 140, 141; D10/61,
D10/64, 70, 73, 71; 33/544.4, 531, 542.1
CPC ... G01B 3/34; G01B 5/12; G01B 5/08; G01B
5/18; G01B 3/26; G01B 3/28; G01B
3/50; G01B 21/14; G01B 5/025; G01B
5/06; A61B 5/1076; A61B 2090/061;
A61B 2090/062; A61B 5/1072
See application file for complete search history.

OTHER PUBLICATIONS

Metcal Calibrator, announced Jul. 4, 2012 [online], [site visited Nov. 30, 2016]. Available from internet, URL: <<https://www.ncbi.nlm.nih.gov/pmc/articles/PMC4006015/figure/Fig1/>>.*

(Continued)

Primary Examiner — Keli L Hill
Assistant Examiner — Karra S Johnson
(74) *Attorney, Agent, or Firm* — Morgan, Lewis & Bockius LLP

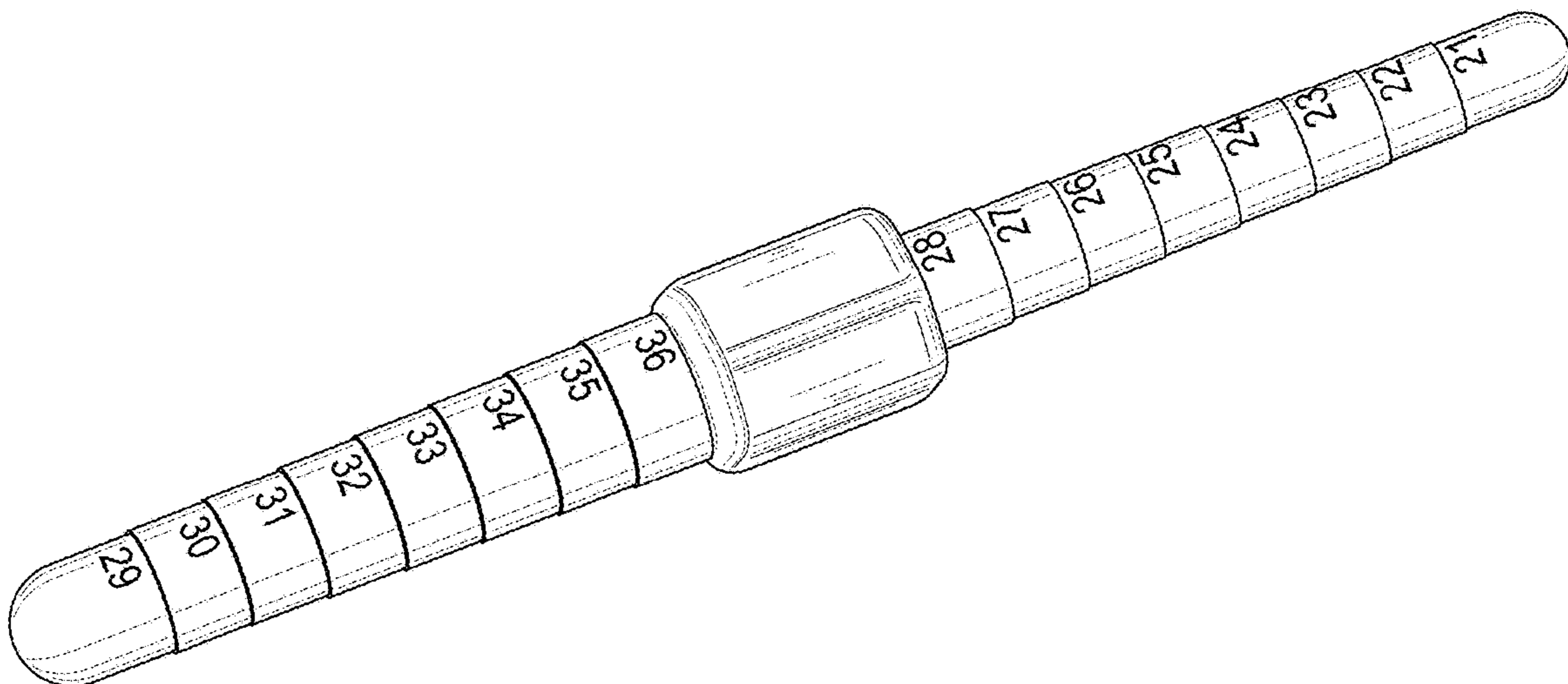
(56) **References Cited**
U.S. PATENT DOCUMENTS
146,974 A * 2/1874 Allen A44C 9/02
33/494
517,096 A * 3/1894 Doll G01B 5/12
33/544.4
1,210,963 A * 1/1917 Mascher G01B 5/12
33/544.4
1,424,082 A * 7/1922 Clopton G01B 3/34
33/514.1
D264,824 S * 6/1982 Sandel D10/71

(57) **CLAIM**
An ornamental design for a meatus measuring tool, as shown and described.

DESCRIPTION

FIG. 1 is a perspective view of my new design of a meatus measuring tool;
FIG. 2 is a top plan view of the design of FIG. 1;
FIG. 3 is a bottom plan view of the design of FIG. 1;
FIG. 4 is a first end view of the design of FIG. 1;
FIG. 5 is a second end view of the design of FIG. 1;
FIG. 6 is a right side view of the design of FIG. 1; and,
FIG. 7 is a left side view of the design of FIG. 1.

1 Claim, 4 Drawing Sheets



(56)

References Cited

OTHER PUBLICATIONS

Stepped Ring Mandrel, announced Jan. 5, 2012 [online], [site visited Nov. 30, 2016]. Available from internet, URL: <<https://www.riogrande.com/Product/stepped-ring-mandrel/112370>>.*

Mandrel—Ring—Stepped—Double Sided, announced May 11, 2010 [online], [site visited Nov. 30, 2016]. Available from internet, URL: <<http://www.cooltools.us/Double-Sided-Stepped-Mandrel-p/man-111.htm>>.*

Cook Urethral Meatal Dilator, announced Mar. 4, 2014 [online], [site visited Nov. 30, 2016]. Available from internet, URL: <<https://www.healthproductsforyou.com/p-cook-urethral-meatal-dilator.html?gclid=CNfR3Ie00dACFYI8gQodh2ILHw>>.*

* cited by examiner

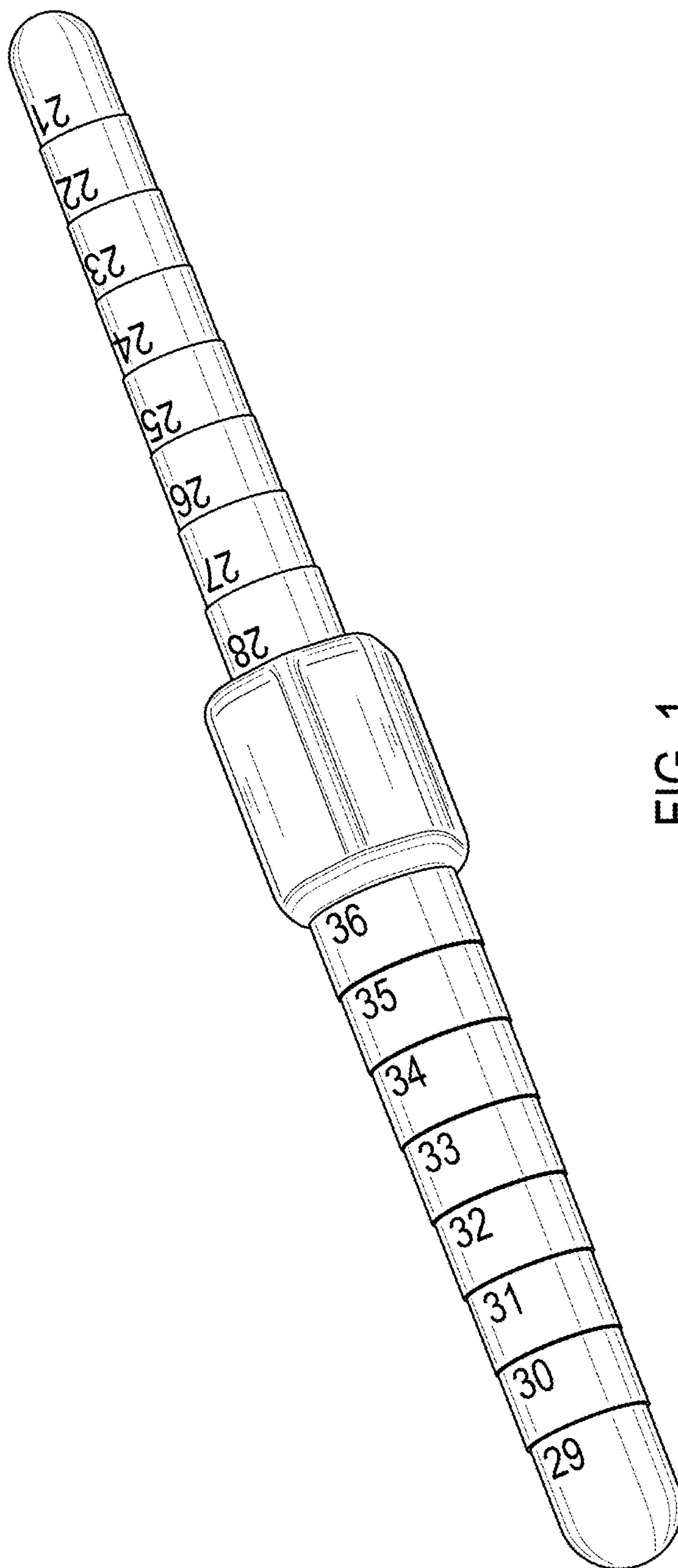


FIG. 1

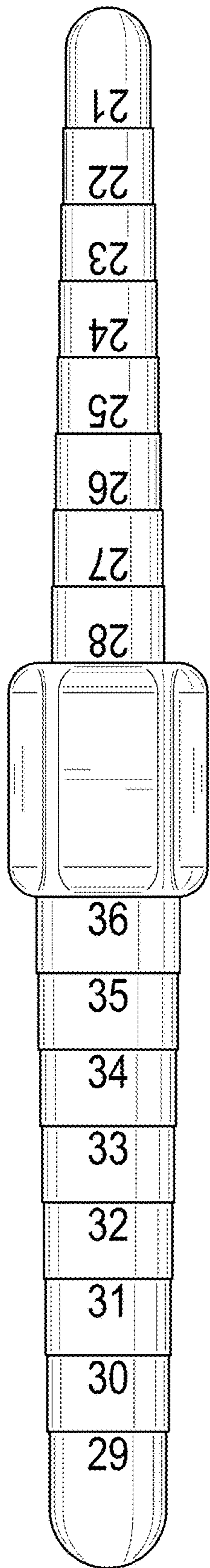


FIG. 2

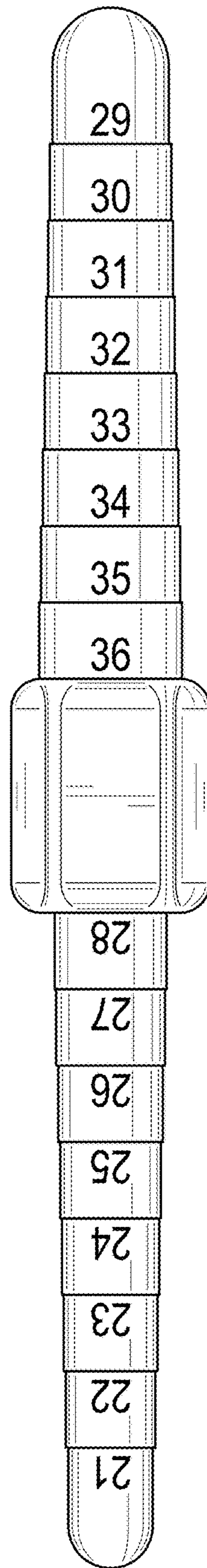


FIG. 3

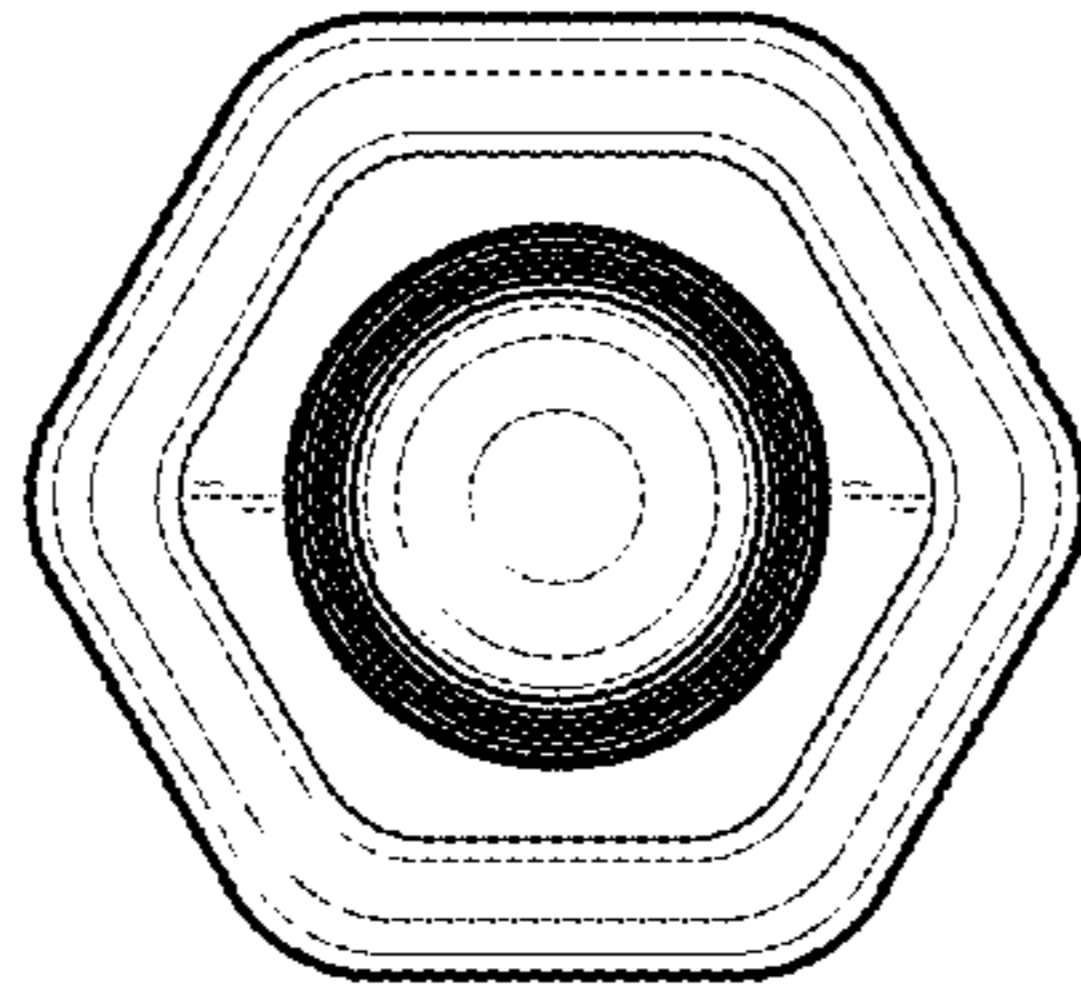


FIG. 5

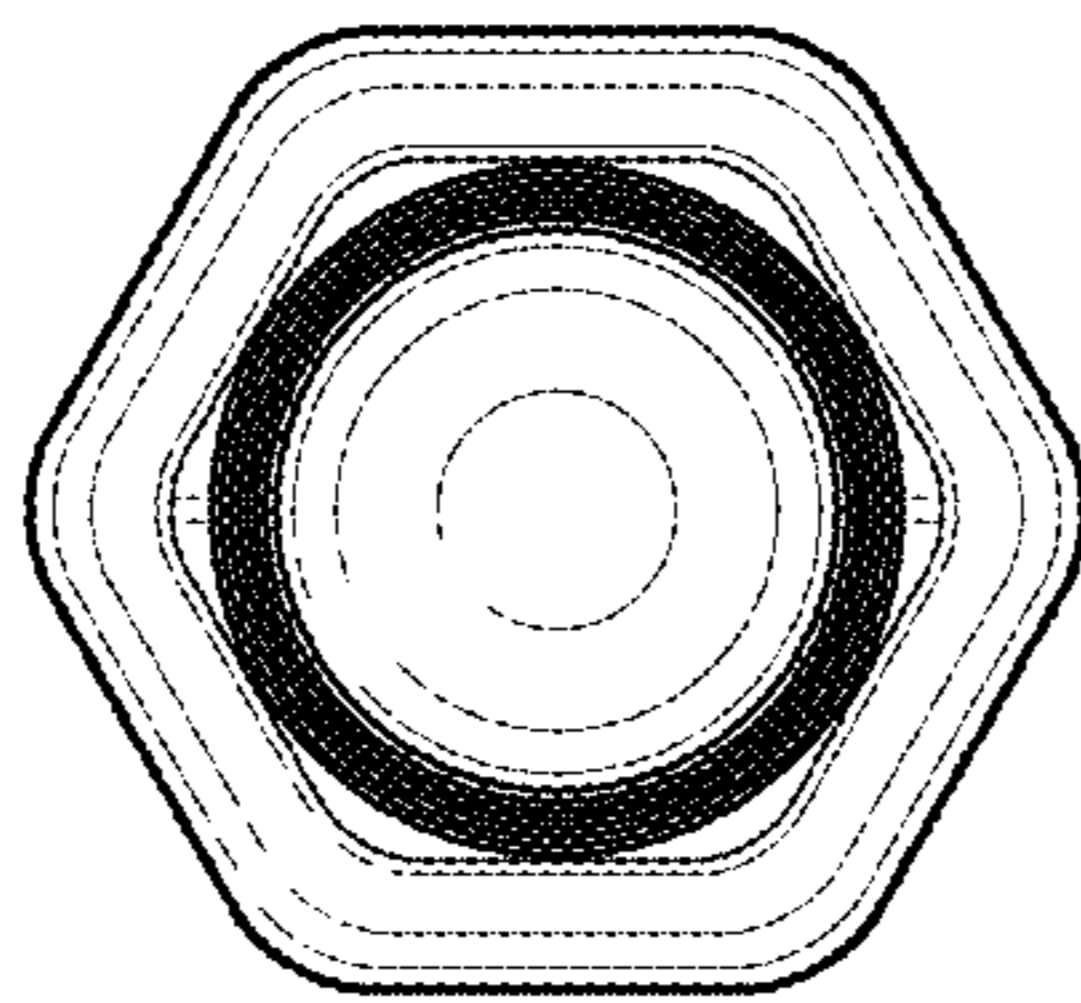


FIG. 4

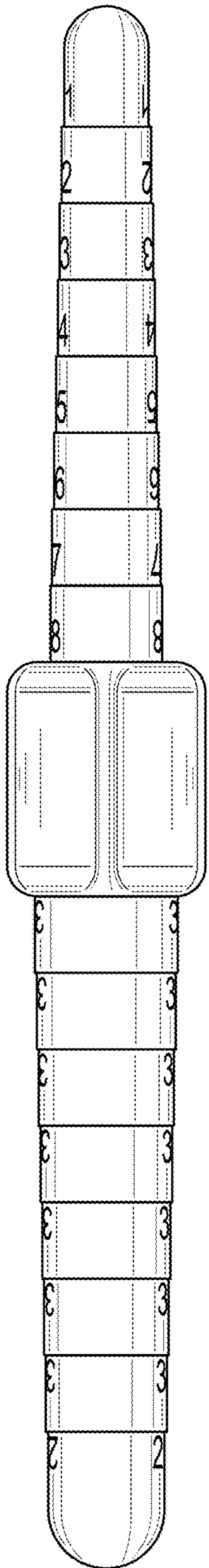


FIG. 6

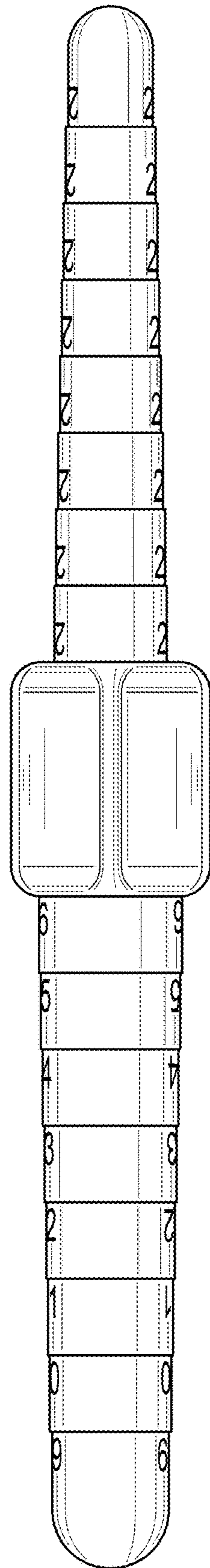


FIG. 7