



US00D787670S

(12) **United States Design Patent**
Suzuki et al.

(10) **Patent No.:** **US D787,670 S**
(45) **Date of Patent:** **** May 23, 2017**

(54) **JOYSTICK FOR ENDOSCOPE OPERATING UNIT**

(71) Applicant: **OLYMPUS CORPORATION**, Tokyo (JP)

(72) Inventors: **Tatsuhiko Suzuki**, Tokyo (JP); **Koji Sakai**, Tokyo (JP)

(73) Assignee: **OLYMPUS CORPORATION**, Tokyo (JP)

(**) Term: **15 Years**

(21) Appl. No.: **29/558,495**

(22) Filed: **Mar. 18, 2016**

(30) **Foreign Application Priority Data**

Sep. 18, 2015 (JP) 2015-020768

(51) **LOC (10) Cl.** **24-02**

(52) **U.S. Cl.**
USPC **D24/138**

(58) **Field of Classification Search**
USPC D24/107, 117, 118, 137-138, 133, 135, D24/200, 201, 202, 215, 222; D21/324, D21/325, 329, 331, 117.4, 117.8, 333; D14/114; D13/162; 600/145-147, 131
CPC A61B 1/0684; A61B 1/00; A61B 1/0052; A61B 1/267; A61B 1/2673
See application file for complete search history.

(56) **References Cited**

U.S. PATENT DOCUMENTS

- 8,182,416 B1 * 5/2012 Hosaka A61B 1/00052 600/131
- D671,214 S * 11/2012 Funakoshi D24/138
- 8,821,379 B2 * 9/2014 Motoki A61B 1/00039 600/109
- D723,684 S * 3/2015 Funakoshi D24/138

- D734,427 S * 7/2015 Bygbjerg D23/213
- D762,780 S * 8/2016 Mistry D14/401
- D762,781 S * 8/2016 Mistry D14/401
- D762,853 S * 8/2016 Amano D24/138
- D767,038 S * 9/2016 Kujawski D14/401
- D768,784 S * 10/2016 Kujawski D14/401
- D768,785 S * 10/2016 Kim D21/333
- D768,854 S * 10/2016 Halleck D24/138
- D771,809 S * 11/2016 Huegle D24/138
- D772,987 S * 11/2016 Kujawski D14/401
- D772,988 S * 11/2016 Kujawski D14/401
- D773,561 S * 12/2016 Kujawski D14/401
- 2013/0079594 A1 * 3/2013 Motoki A61B 1/00039 600/109

* cited by examiner

Primary Examiner — Manpreet Matharu

Assistant Examiner — Yolanda Robinson

(74) *Attorney, Agent, or Firm* — Scully, Scott, Murphy & Presser, P.C.

(57) **CLAIM**

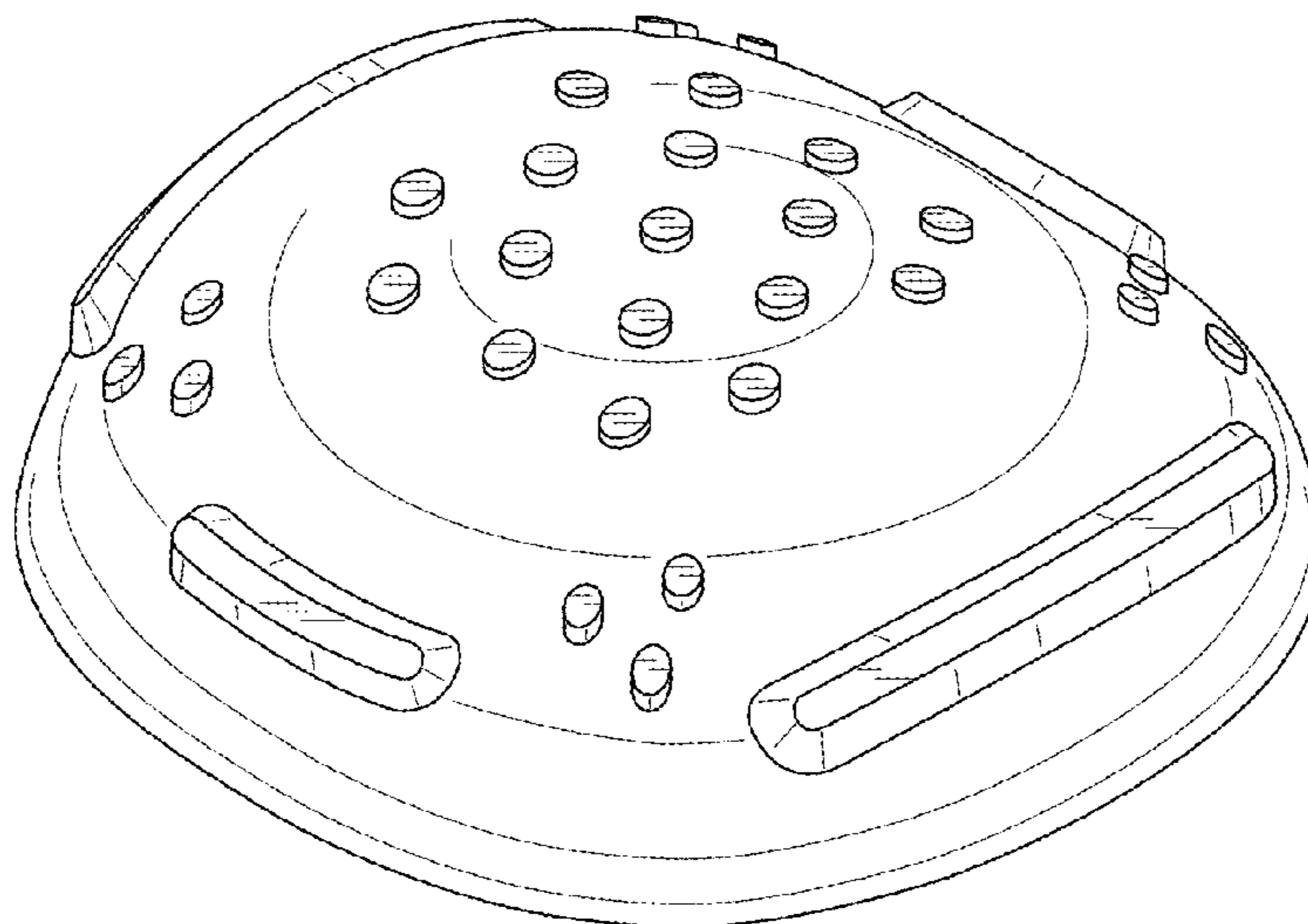
The ornamental design for a joystick for endoscope operating unit, as shown and described.

DESCRIPTION

FIG. 1 is a perspective view of a joystick for endoscope operating unit, showing our new design;
FIG. 2 is a front view thereof;
FIG. 3 is a rear view thereof;
FIG. 4 is a top view thereof;
FIG. 5 is a bottom view thereof;
FIG. 6 is a left side view thereof;
FIG. 7 is a right side view thereof; and,
FIG. 8 is an end view thereof; taken along line 8-8 in FIG. 2.

The broken lines shown in FIGS. 3 and 8 are for environmental purposes only form no part of the claimed design.

1 Claim, 3 Drawing Sheets



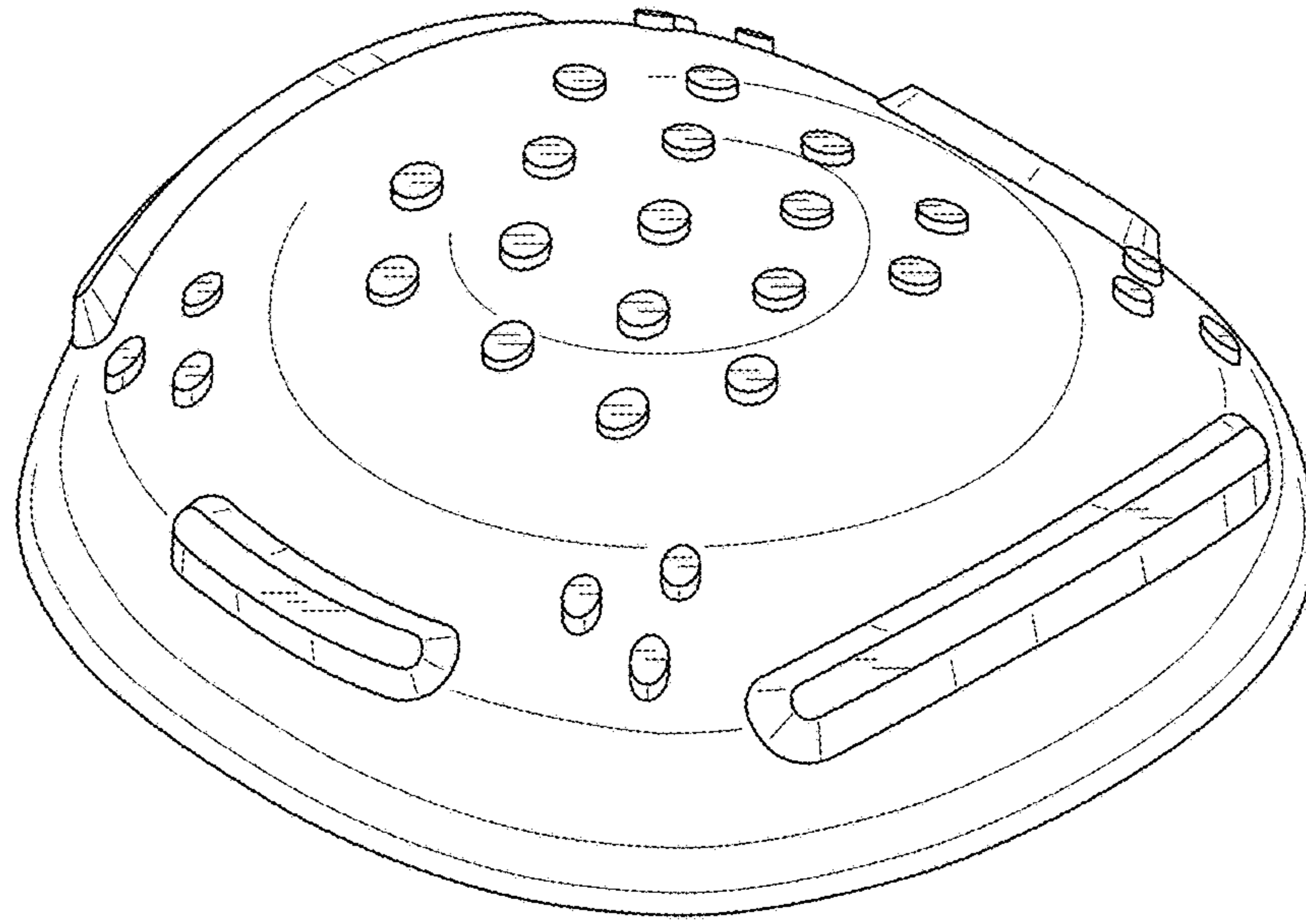


Fig. 1

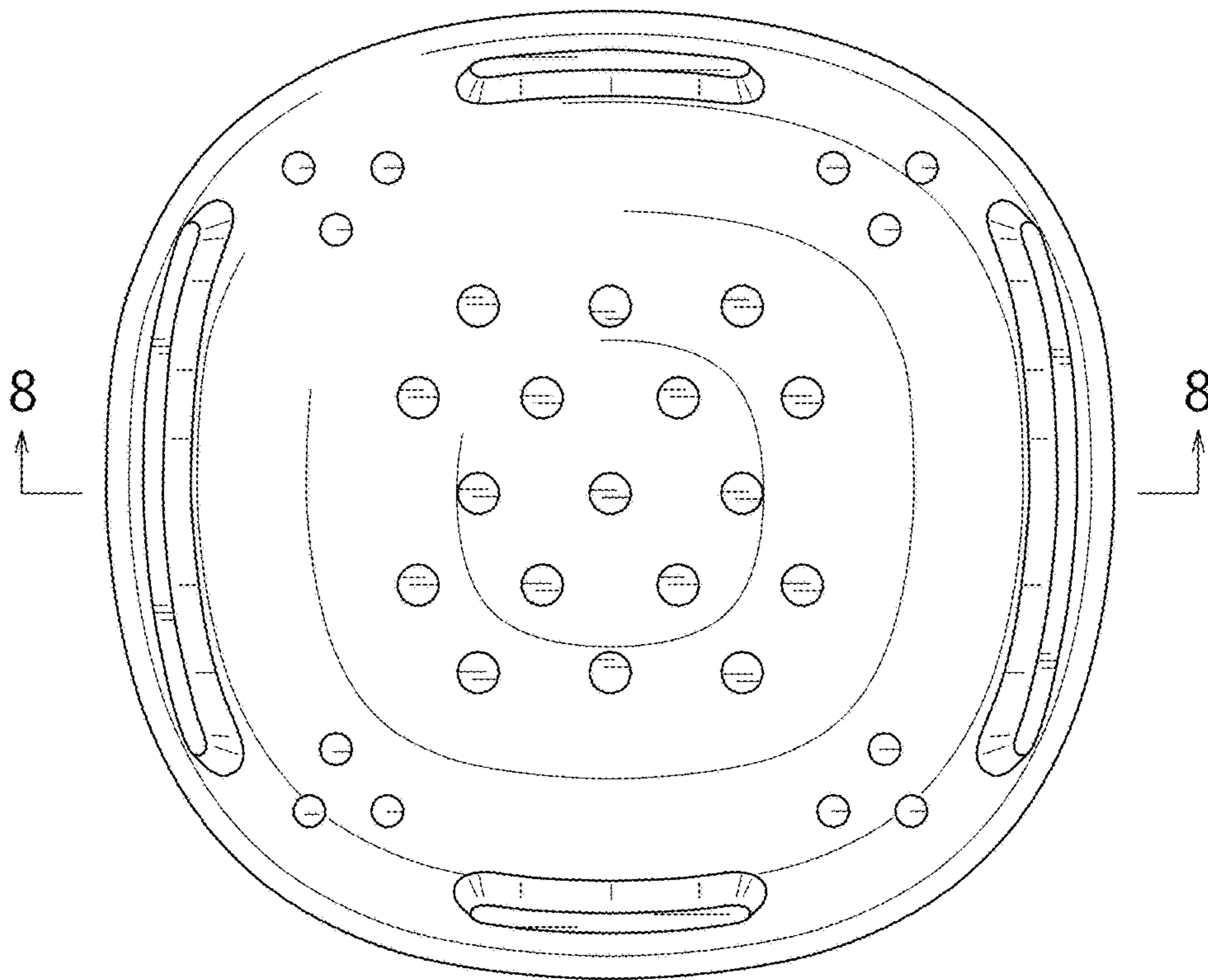


Fig. 2

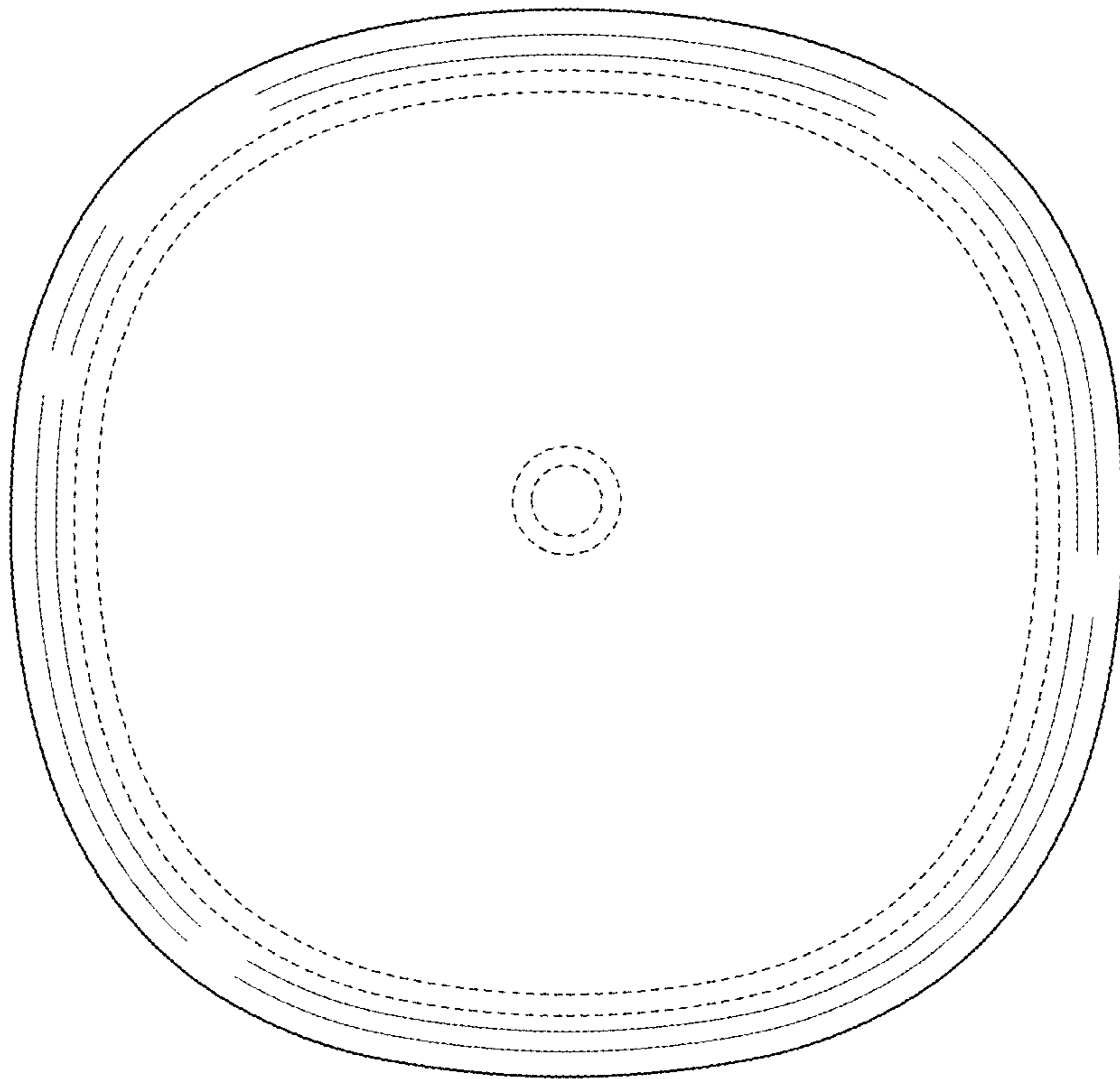


Fig. 3

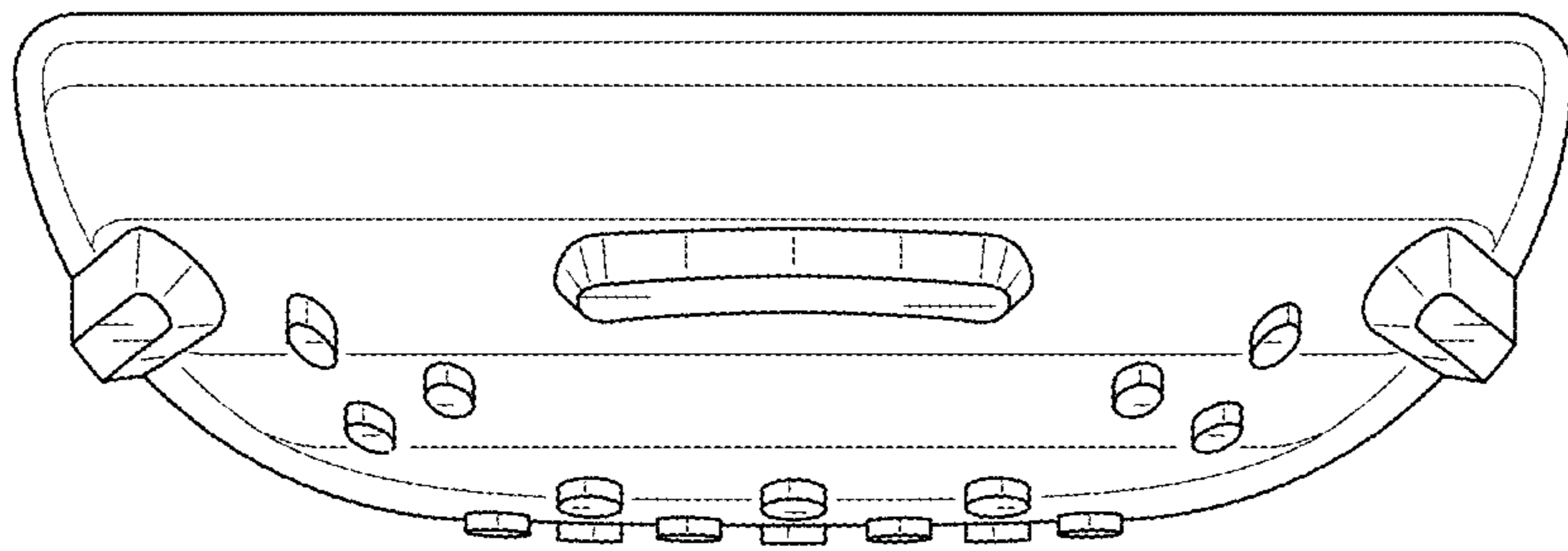


Fig. 4

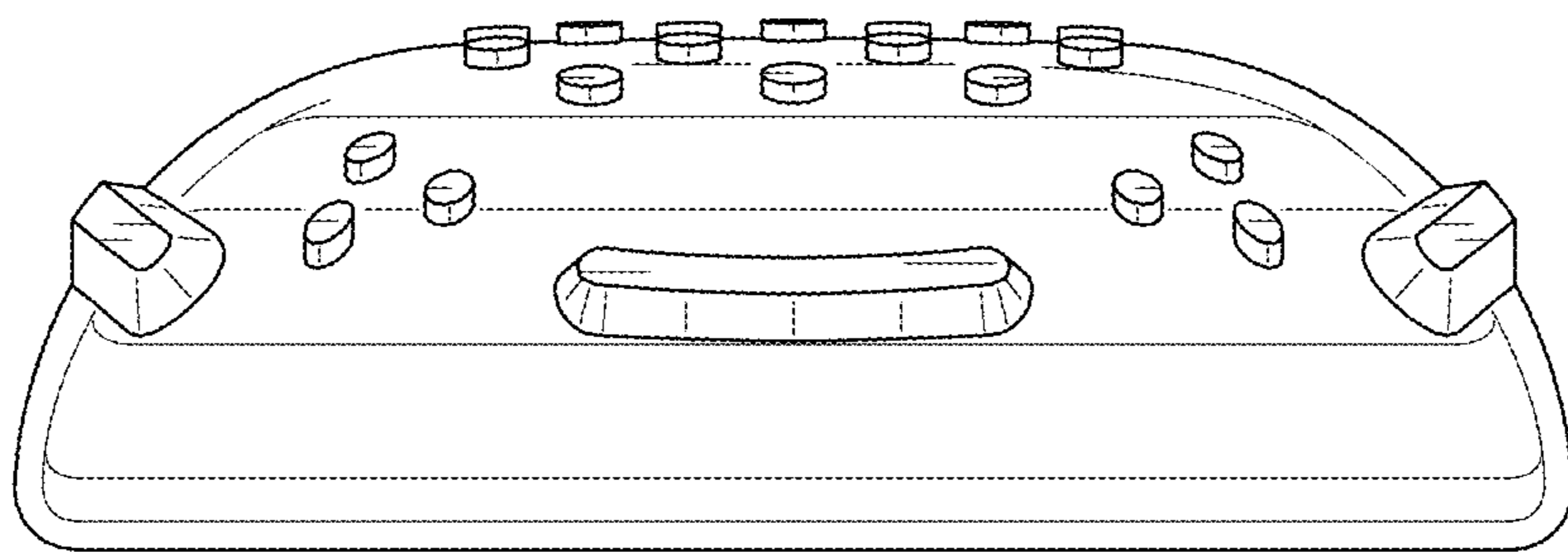


Fig. 5

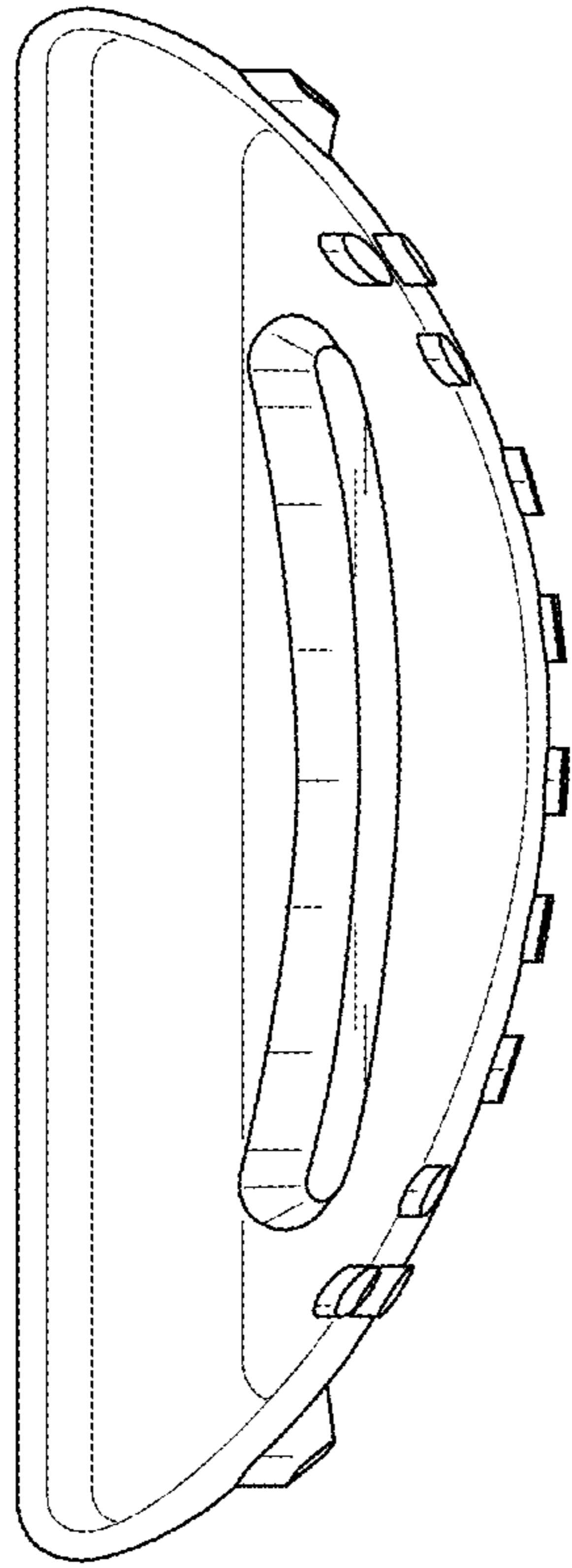


Fig. 6

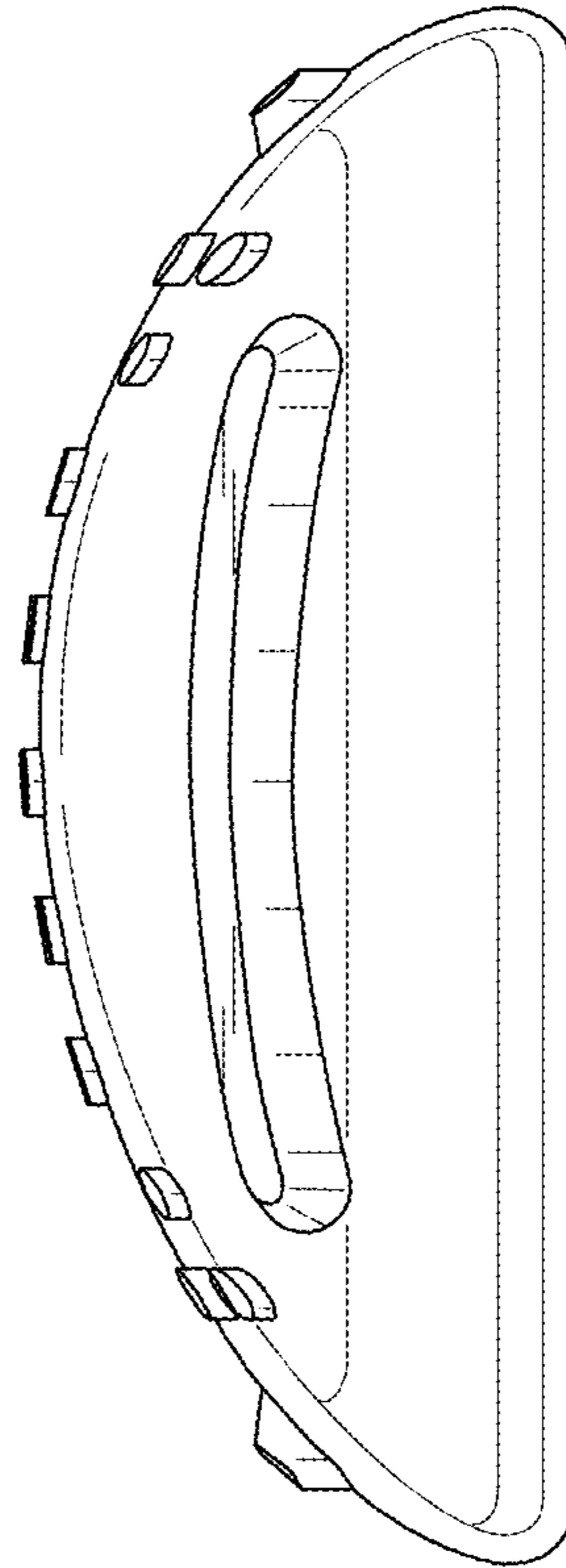


Fig. 7

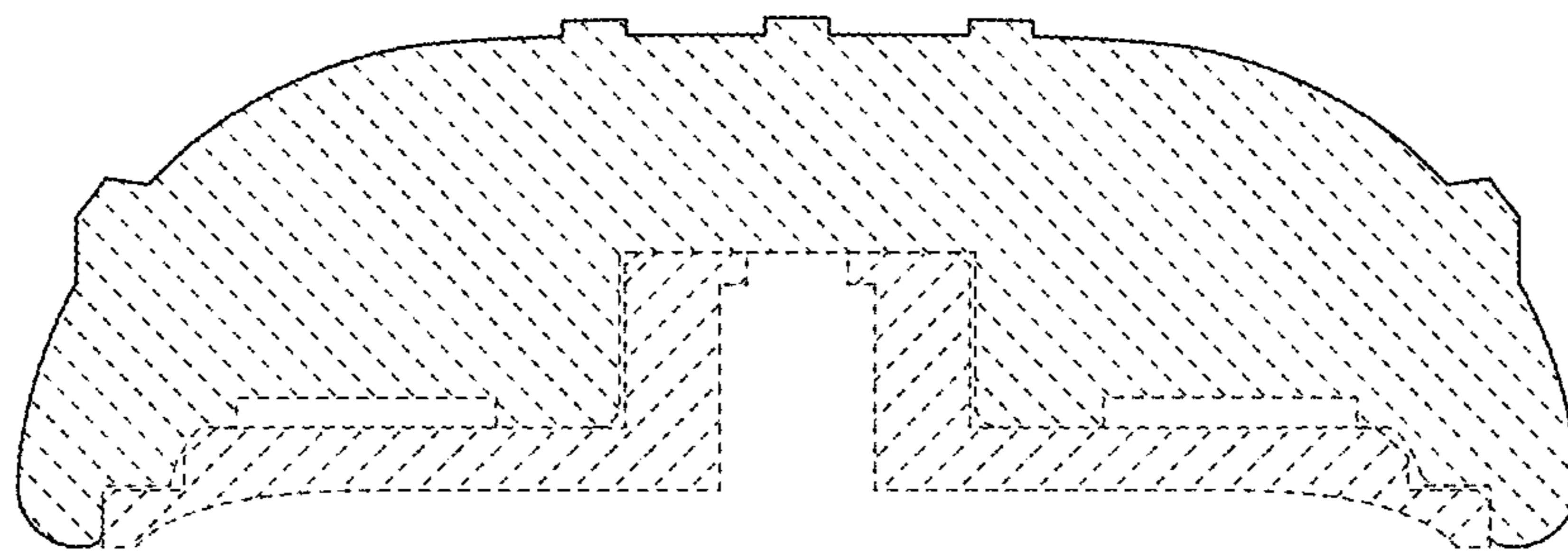


Fig. 8