



US00D787669S

(12) **United States Design Patent** (10) **Patent No.:** **US D787,669 S**  
**Huang et al.** (45) **Date of Patent:** **\*\* May 23, 2017**

(54) **PEN NEEDLE OUTER COVER**

FOREIGN PATENT DOCUMENTS

(71) Applicant: **Becton, Dickinson and Company**,  
Franklin Lakes, NJ (US)

WO WO 2009/089638 7/2009  
WO WO 2010/090733 8/2010

(Continued)

(72) Inventors: **David Huang**, Hayward, CA (US);  
**Todd Sack**, Dover, DE (US); **Mark Bowen**,  
Stow, MA (US); **Matthew Zuschlag**,  
Randolph, NJ (US); **David Schiff**,  
Highland Park, NJ (US)

OTHER PUBLICATIONS

Clickfine Pen Needles, <http://myclickfine.com/default.aspx> Down-  
loaded Jun. 30, 2015.

(Continued)

(73) Assignee: **Becton, Dickinson and Company**,  
Franklin Lakes, NJ (US)

*Primary Examiner* — David Muller

(74) *Attorney, Agent, or Firm* — Dickinson Wright PLLC

(\*\*) Term: **15 Years**

(57) **CLAIM**

(21) Appl. No.: **29/561,304**

The ornamental design for a pen needle outer cover, as  
shown and described.

(22) Filed: **Apr. 14, 2016**

**DESCRIPTION**

(51) **LOC (10) Cl.** ..... **24-02**

(52) **U.S. Cl.**  
USPC ..... **D24/130**

(58) **Field of Classification Search**  
USPC ..... D24/127–131, 112–114, 133, 186;  
606/181, 185; 604/264, 523–528, 272,  
604/187, 158, 164.01–164.11, 181, 184,  
604/227; 600/101, 139, 143;  
128/200.24, 207.14, 207.15  
CPC ..... A61M 25/00; A61M 39/00; A61M 27/00;  
A61M 25/0067; A61F 2/958  
See application file for complete search history.

FIG. 1 is a top perspective view of a pen needle outer cover  
embodying our new design;  
FIG. 2 is a bottom perspective view of the pen needle outer  
cover shown in FIG. 1;  
FIG. 3 is a bottom view of the pen needle outer cover shown  
in FIGS. 1 and 2;  
FIG. 4 is a side view of the pen needle outer cover shown  
in FIGS. 1-3;  
FIG. 5 is another side view of the pen needle outer cover  
shown in FIGS. 1-3, as it would appear when rotated about  
its longitudinal axis by 45, 135, 180 or 225 in either  
rotational direction from the orientation shown in FIG. 4;  
FIG. 6 is a top view of pen needle outer cover shown in  
FIGS. 1-5; and,  
FIG. 7 is a side cross-sectional view, taken along the line 7-7  
in FIG. 3, of the pen needle outer cover shown in FIGS. 1-6.  
The dashed broken lines in the drawings represent portions  
of the pen needle outer cover that form no part of the claimed  
design.

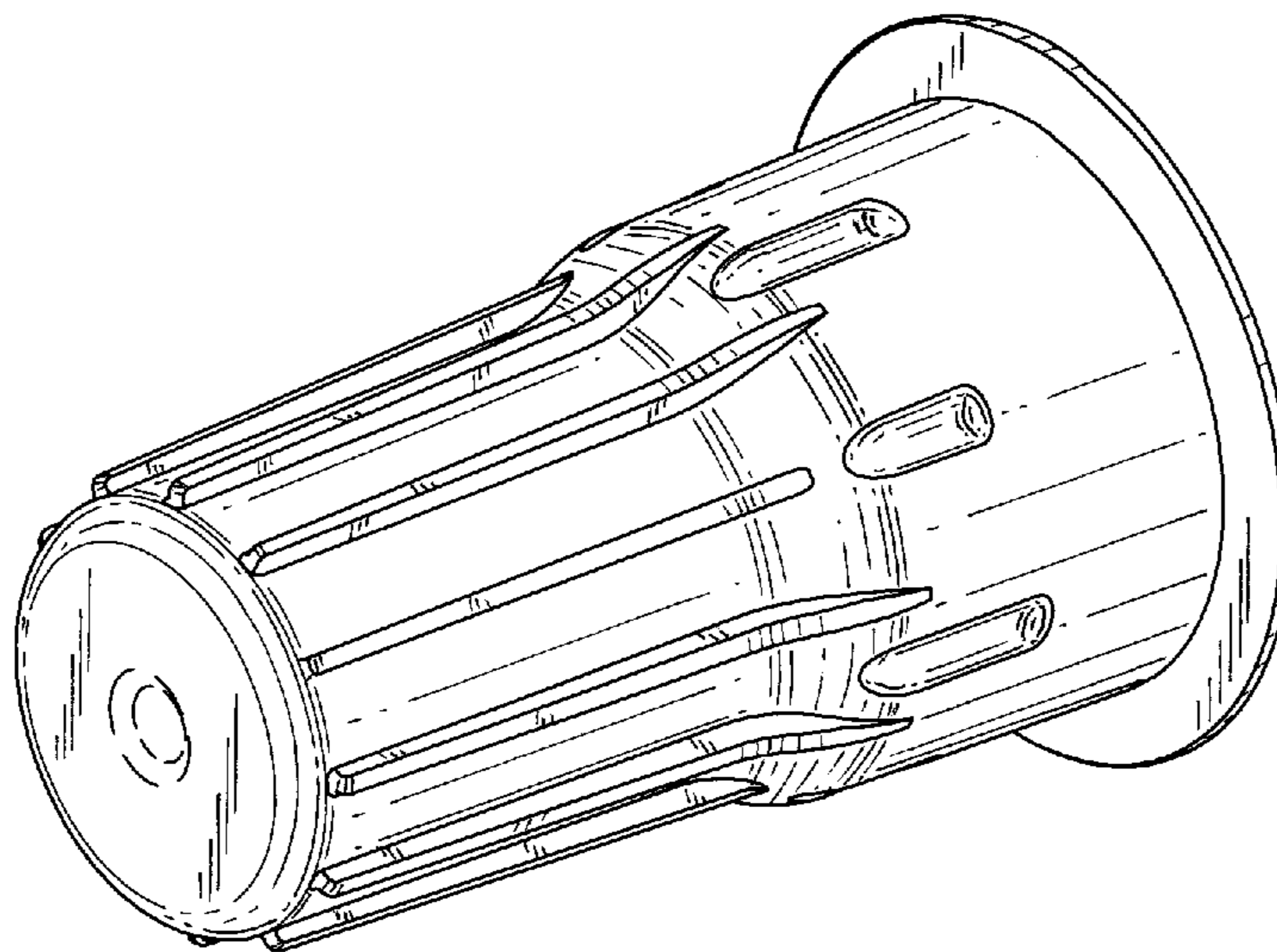
(56) **References Cited**

U.S. PATENT DOCUMENTS

D323,710 S \* 2/1992 Kasai ..... D24/130  
D326,322 S \* 5/1992 Clegg ..... D24/112  
D332,490 S \* 1/1993 Brown ..... D24/130  
D369,409 S \* 4/1996 Salter ..... D24/129  
5,941,857 A 8/1999 Nguyen et al.

(Continued)

**1 Claim, 4 Drawing Sheets**



(56)

References Cited

U.S. PATENT DOCUMENTS

5,968,021 A 10/1999 Ejlersen  
 5,971,966 A 10/1999 Lav  
 D461,244 S \* 8/2002 Niermann ..... D24/130  
 6,551,286 B1 \* 4/2003 Claessens ..... A61M 5/3202  
 128/919  
 D494,677 S \* 8/2004 Garvin ..... D24/130  
 D581,049 S \* 11/2008 Sudo ..... D24/130  
 7,665,605 B2 2/2010 Erickson et al.  
 D612,493 S \* 3/2010 Claessens ..... D24/130  
 7,871,397 B2 1/2011 Schraga  
 8,133,202 B2 3/2012 Marsh  
 D667,951 S \* 9/2012 Marshall ..... D24/130  
 D669,579 S 10/2012 Marshall et al.  
 8,287,492 B2 10/2012 Schraga  
 8,529,518 B2 9/2013 Larsen et al.  
 8,672,902 B2 3/2014 Ruan et al.  
 D713,029 S \* 9/2014 Shiraishi ..... D24/130  
 D713,958 S 9/2014 Srinivasan et al.  
 8,834,415 B2 9/2014 Schraga  
 8,858,507 B2 10/2014 Nielsen et al.  
 D737,963 S 9/2015 Srinivasan et al.

D745,668 S 12/2015 Shiraishi et al.  
 D751,192 S \* 3/2016 She ..... D24/127  
 D760,890 S \* 7/2016 Guala ..... D24/112  
 2004/0111067 A1 6/2004 Kirchhofer  
 2009/0069755 A1 3/2009 Horvath  
 2012/0029440 A1 2/2012 Boyd et al.  
 2012/0071835 A1 3/2012 Marshall et al.  
 2015/0011974 A1 1/2015 Schraga  
 2015/0297837 A1 10/2015 Schraga  
 2015/0320941 A1 11/2015 Horvath

FOREIGN PATENT DOCUMENTS

WO WO 2014/167340 10/2014  
 WO WO 2015/085031 6/2015  
 WO WO 2016/123494 8/2016

OTHER PUBLICATIONS

Meet NovoFine® Plus: The 32G 4 mm pen needle that makes injections a little friendlier, Dec. 2013.

\* cited by examiner

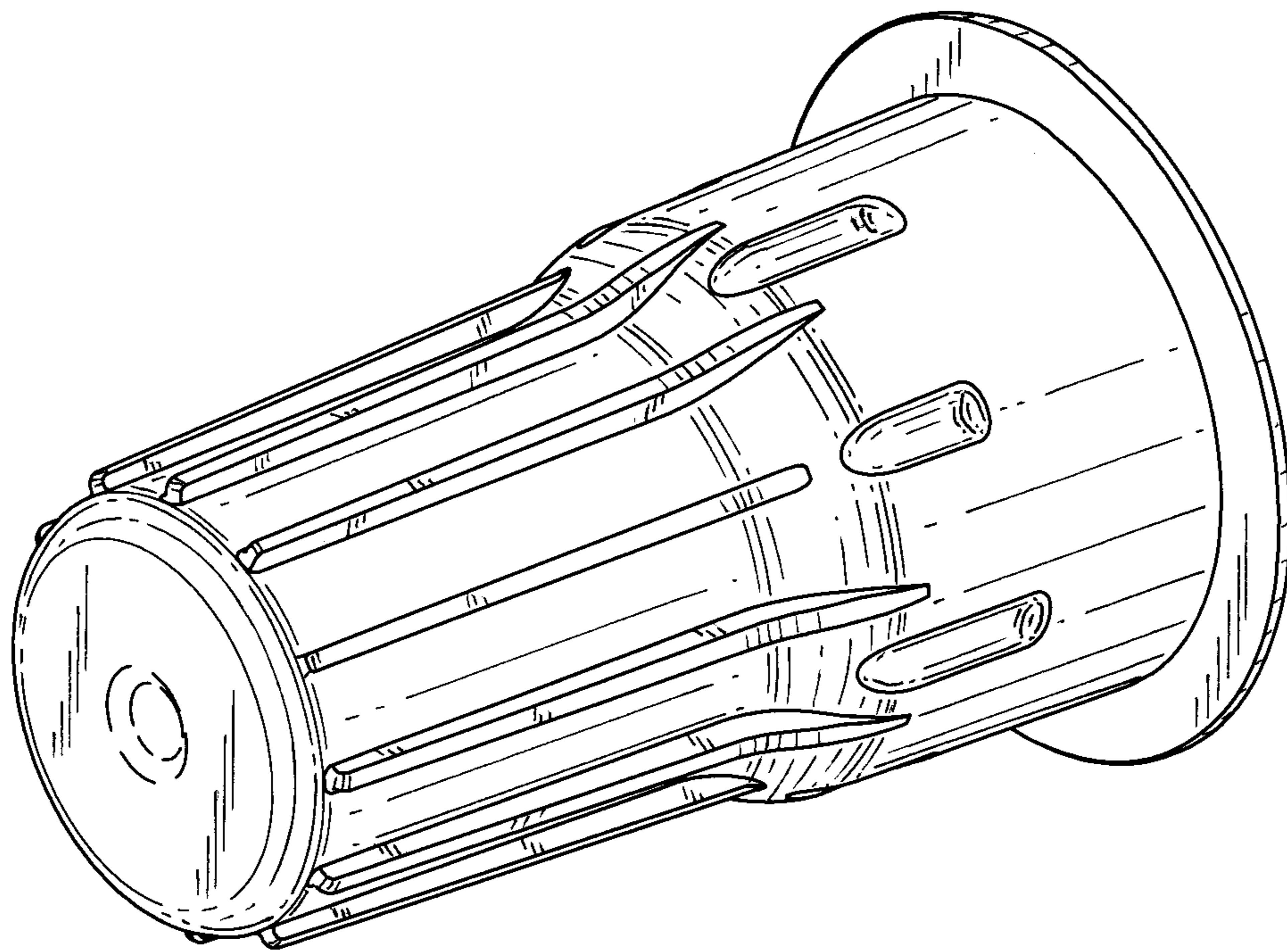


FIG. 1

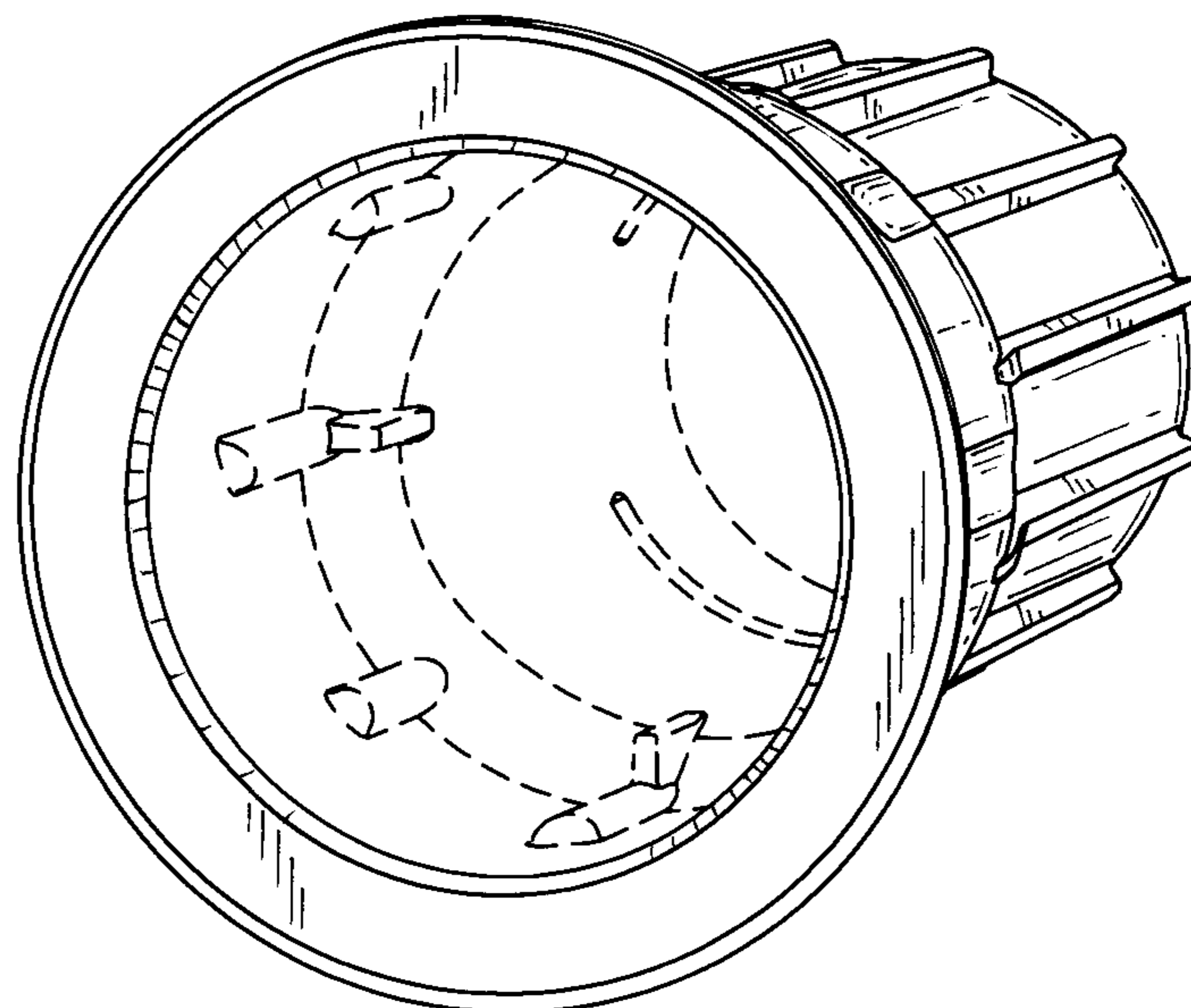


FIG. 2

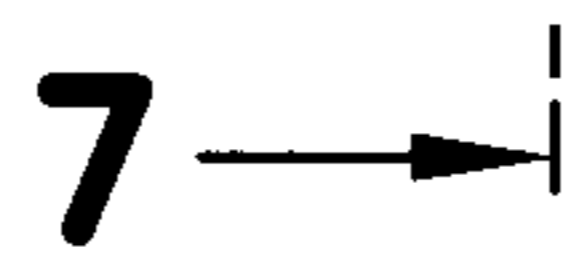
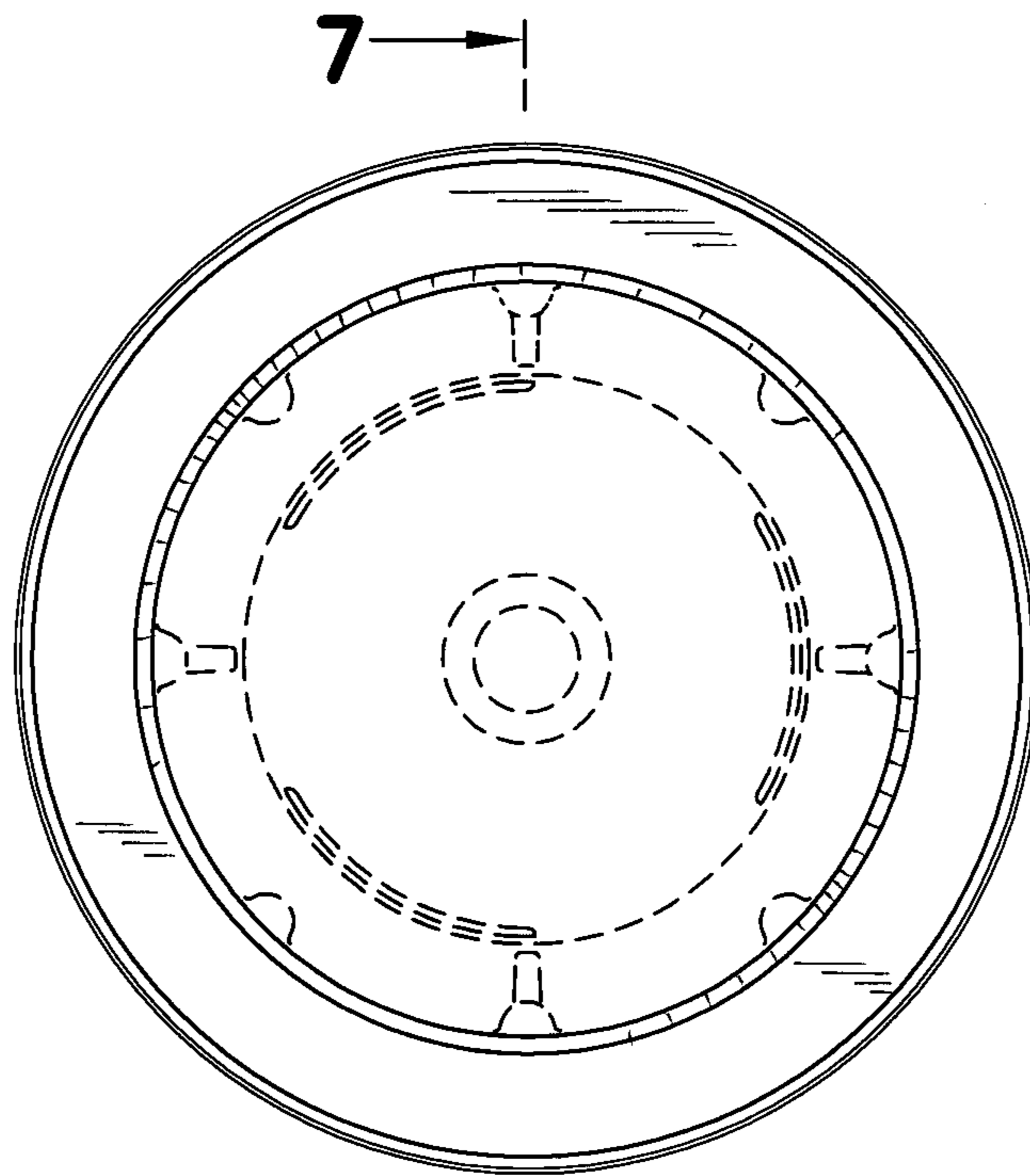


FIG.3

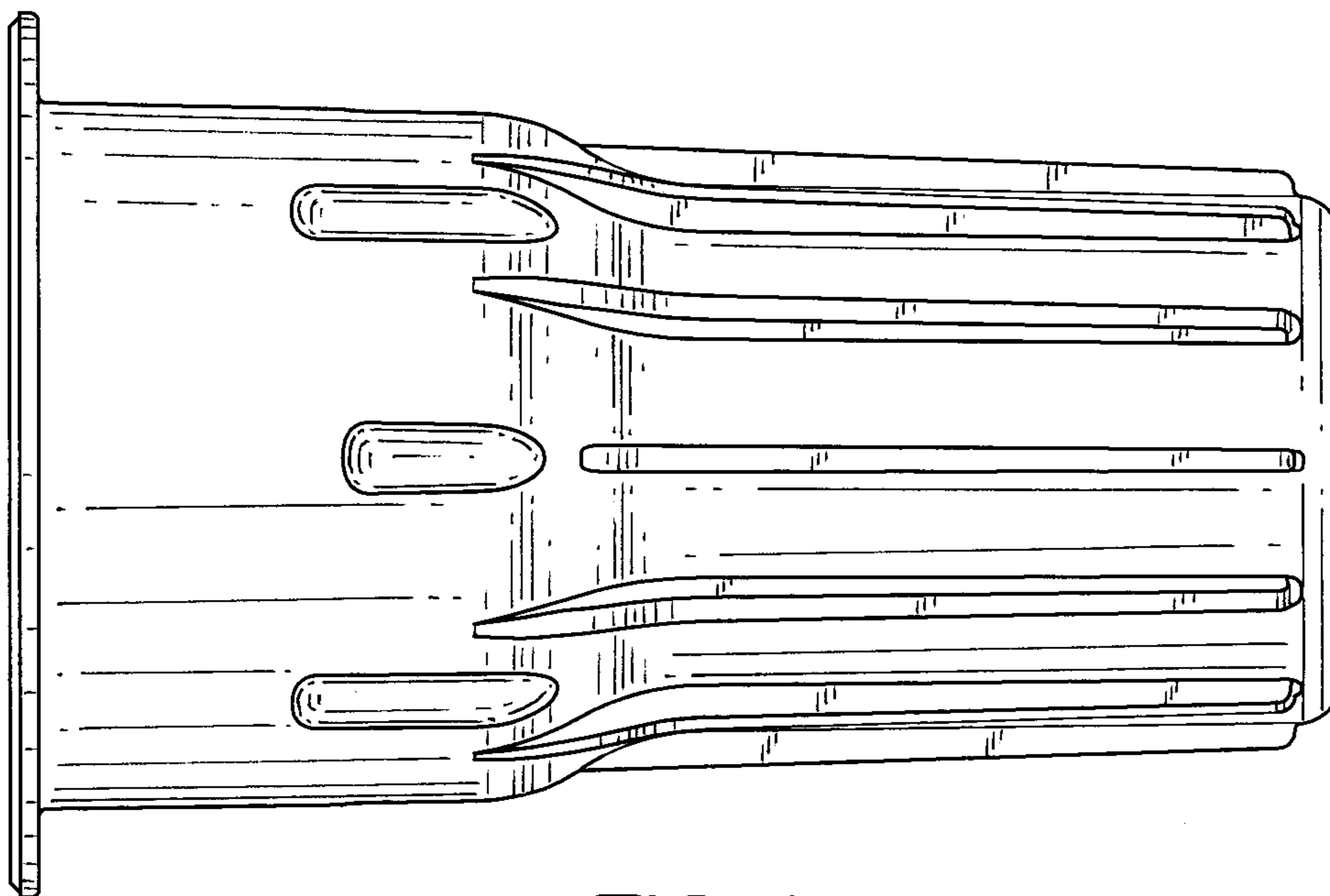


FIG.4

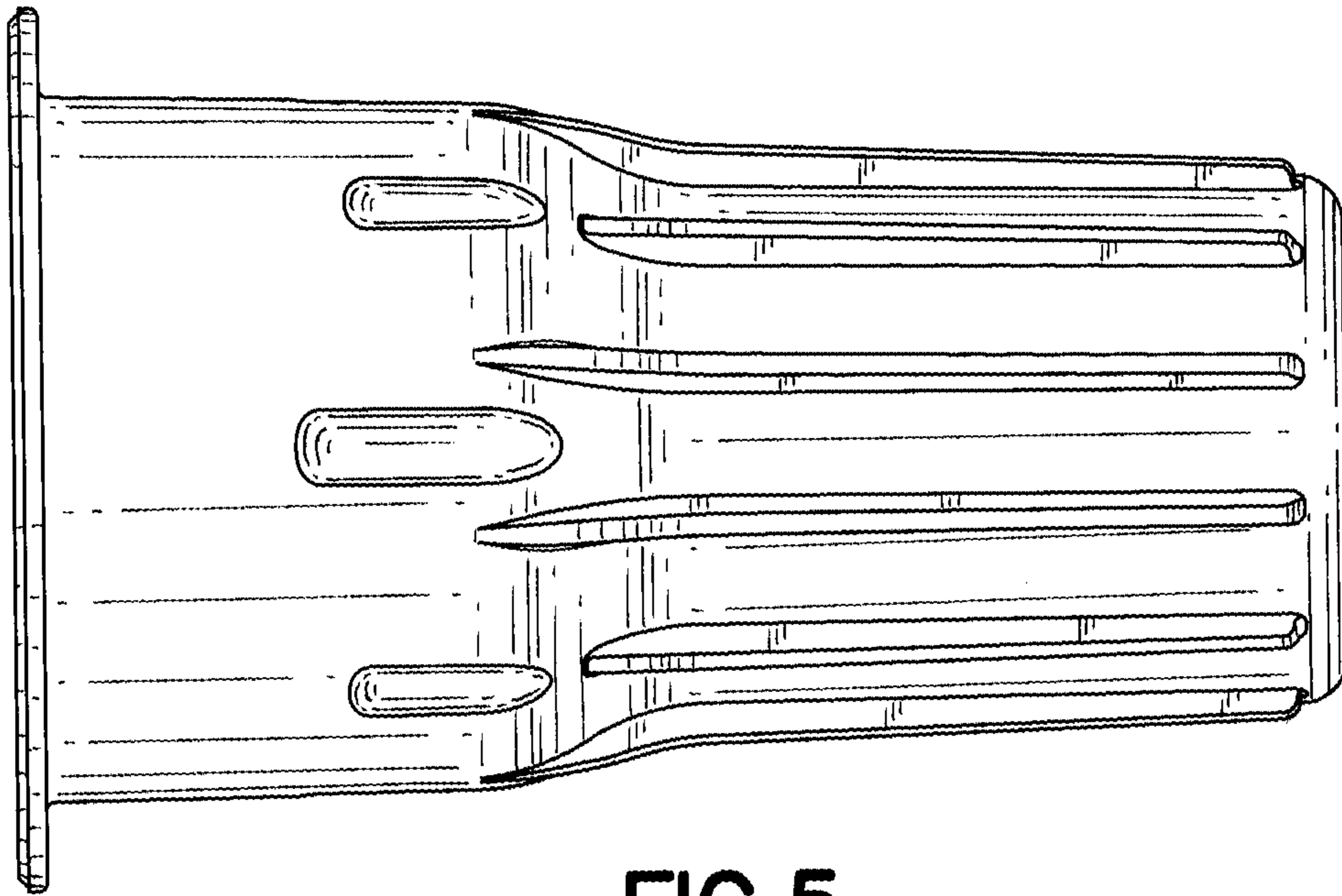


FIG. 5

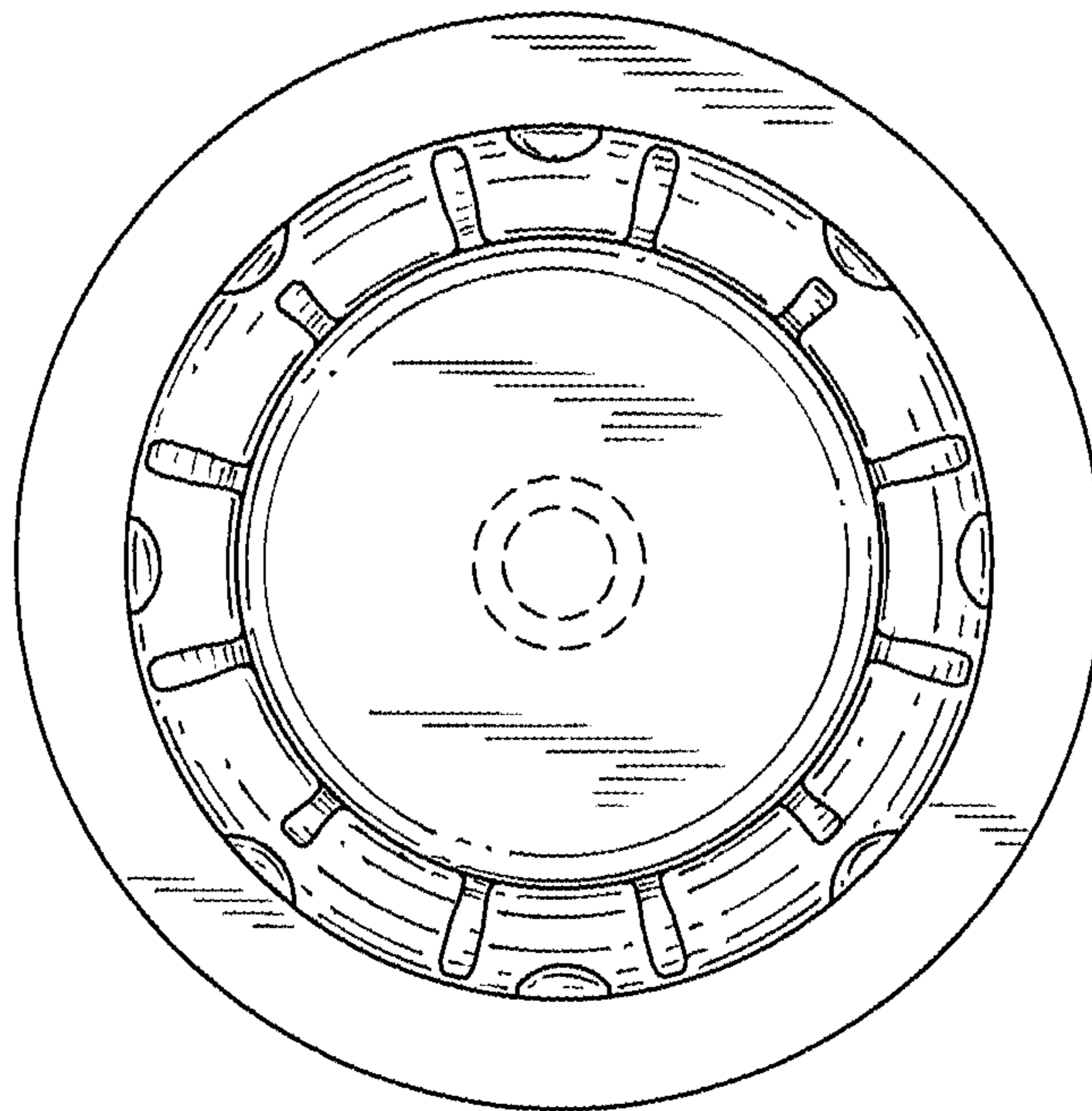


FIG. 6

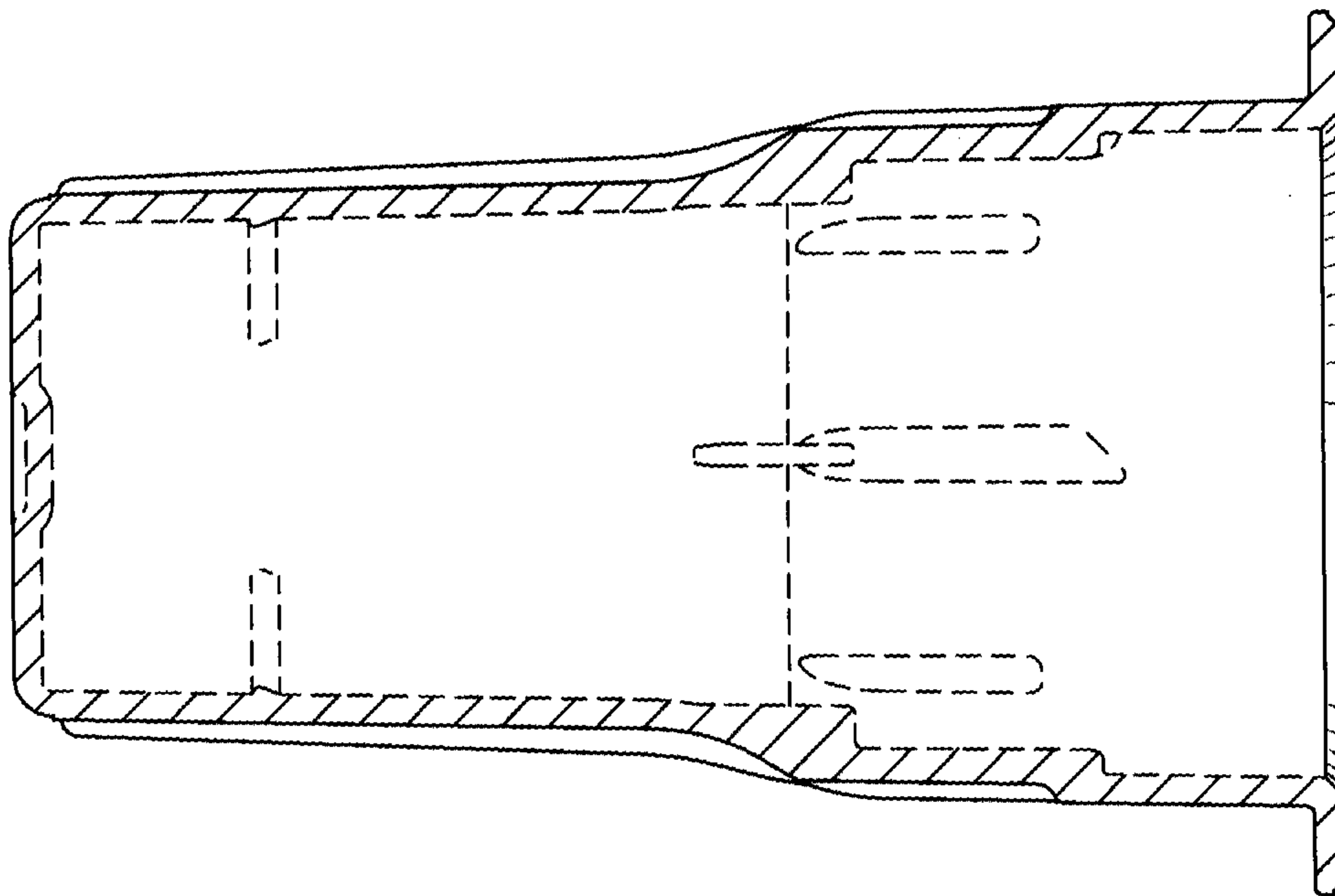


FIG. 7