



US00D787667S

(12) **United States Design Patent** (10) **Patent No.:** **US D787,667 S**
Iwase (45) **Date of Patent:** **** May 23, 2017**

(54) **NEEDLE FOR INTRADERMAL INJECTION**

(71) Applicant: **Terumo Kabushiki Kaisha**,
Shibuya-ku, Tokyo (JP)

(72) Inventor: **Yoichiro Iwase**, Yamanashi (JP)

(73) Assignee: **TERUMO KABUSHIKI KAISHA**,
Shibuya-ku, Tokyo (JP)

(**) Term: **15 Years**

(21) Appl. No.: **29/532,698**

(22) Filed: **Jul. 9, 2015**

(30) **Foreign Application Priority Data**

Jan. 9, 2015 (JP) 2015-000303

(51) **LOC (10) Cl.** **24-02**

(52) **U.S. Cl.**
USPC **D24/130**

(58) **Field of Classification Search**

USPC D24/127-131, 112-114, 133, 186;
606/181, 185; 604/264, 523-528, 272,
604/187, 158, 164.01-164.11, 181, 184,
604/227; 600/101, 139, 143;
128/200.24, 207.14, 207.15

CPC A61M 25/00; A61M 39/00; A61M 27/00;
A61M 25/0043; A61M 25/0067; A61M
25/0097; A61F 2/958

See application file for complete search history.

(56) **References Cited**

U.S. PATENT DOCUMENTS

D378,699 S * 4/1997 Niedospial D24/108
D435,653 S * 12/2000 Niedospial, Jr. D24/129

D681,230 S * 4/2013 Mosler D24/129
D695,397 S * 12/2013 Nakatsuka D24/127
D720,452 S * 12/2014 Jordan D24/130
D732,664 S * 6/2015 Woehr D24/130
D737,436 S * 8/2015 Lev D24/129
D750,239 S * 2/2016 Pappalardo D24/130
D757,260 S * 5/2016 Lombardi, III D24/129
D757,933 S * 5/2016 Lev D24/129
D757,935 S * 5/2016 Solingen D24/133
D764,660 S * 8/2016 Babbs D24/129
D773,659 S * 12/2016 Cain D24/129

* cited by examiner

Primary Examiner — David Muller

(74) *Attorney, Agent, or Firm* — Banner & Witcoff, Ltd.

(57) **CLAIM**

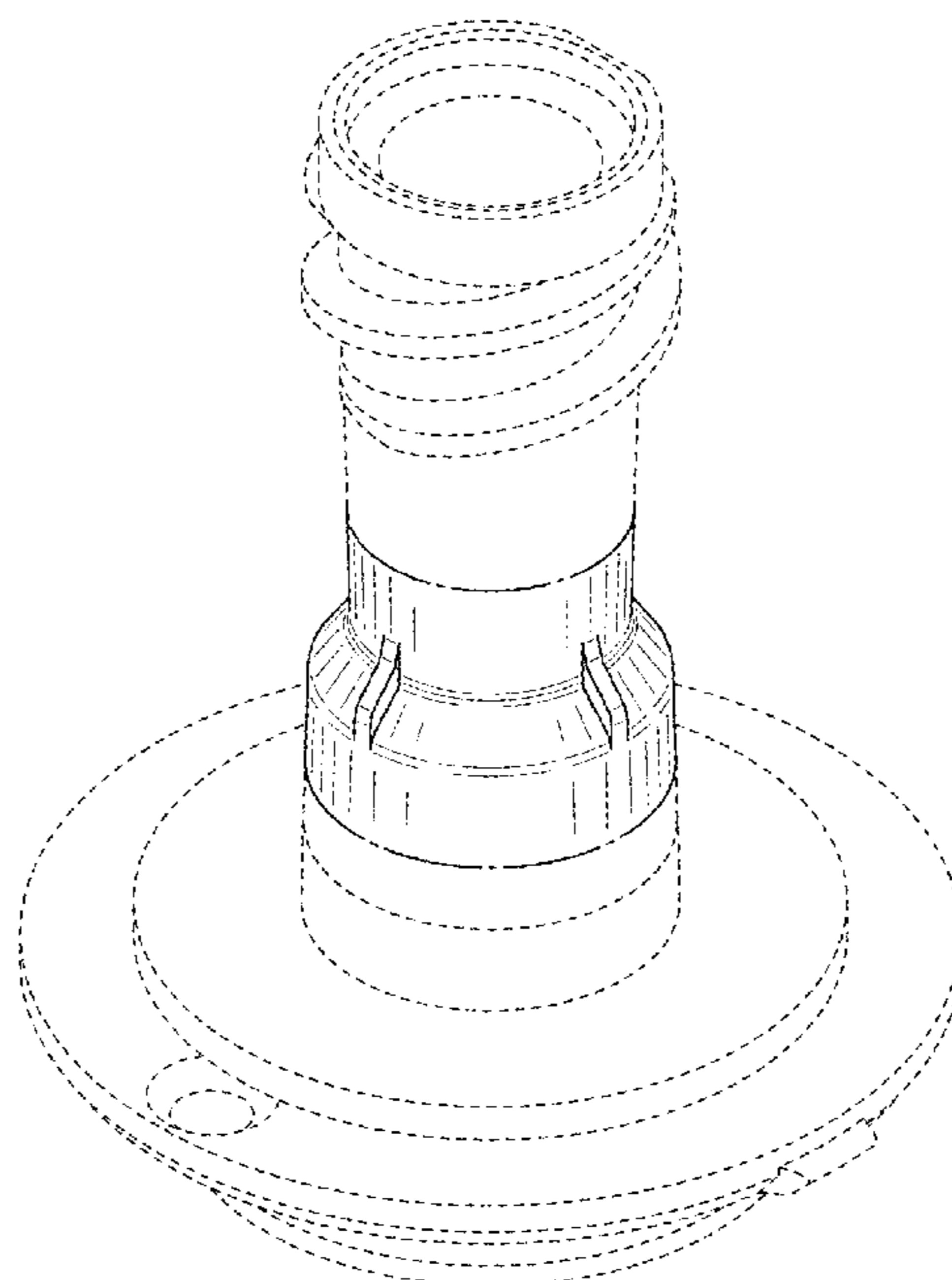
The ornamental design for the needle for intradermal injection, as shown and described.

DESCRIPTION

FIG. 1 is a perspective view of front, top and right side of the needle for intradermal injection showing my new design; FIG. 2 is a front view thereof; FIG. 3 is a rear view thereof; FIG. 4 is a left side view thereof; FIG. 5 is a right side view thereof; FIG. 6 is a top view thereof; FIG. 7 is a bottom view thereof; and, FIG. 8 is an explanatory view of usage thereof.

The broken lines shown are included for the purpose of illustrating the unclaimed portions of the needle for intradermal injection and form no part of the claimed design. Dotted and dashed lines mean boundaries between the claimed portion and the non-claimed portion, and form no part of the claimed design.

1 Claim, 5 Drawing Sheets



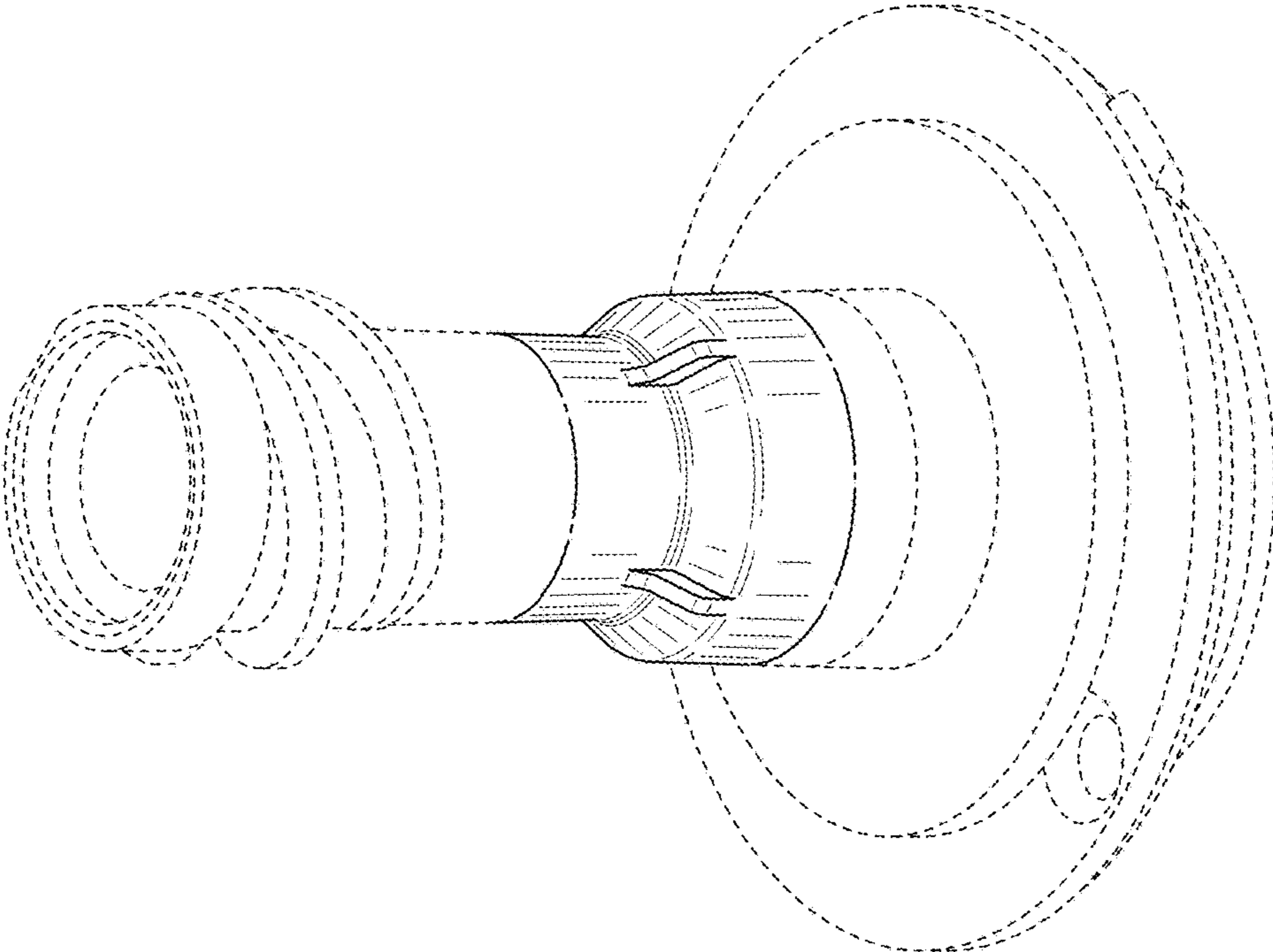


FIG. 1

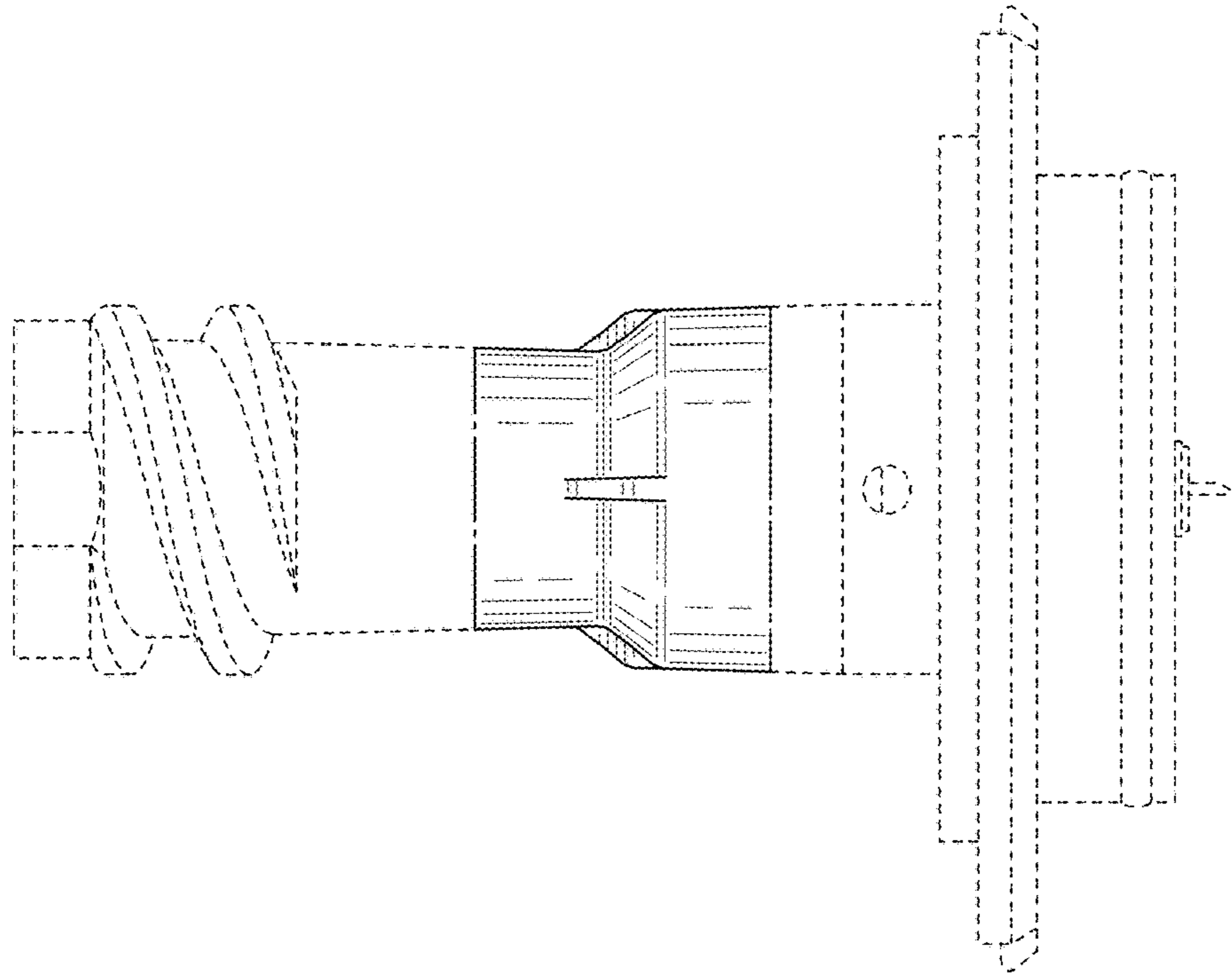


FIG. 3

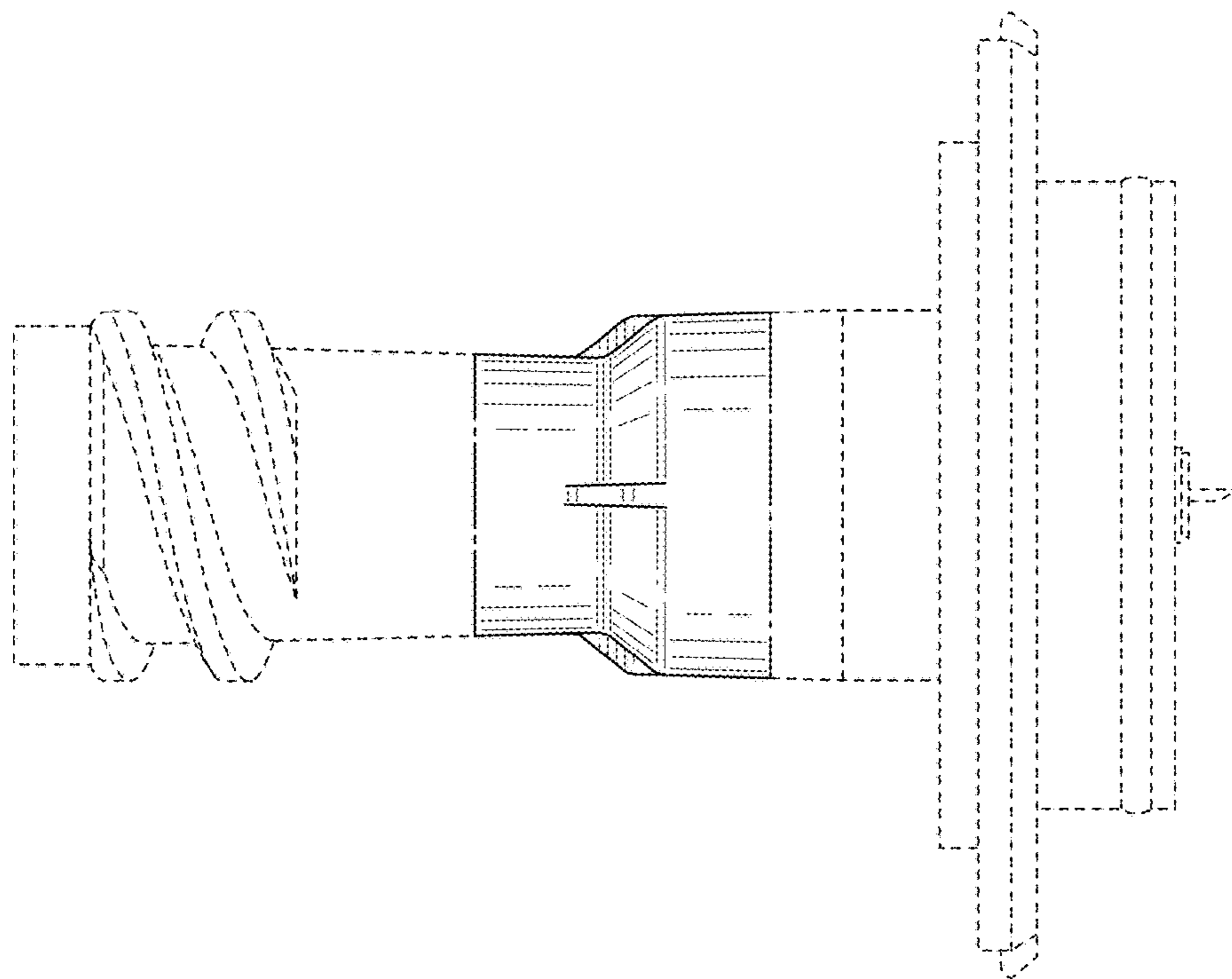


FIG. 2

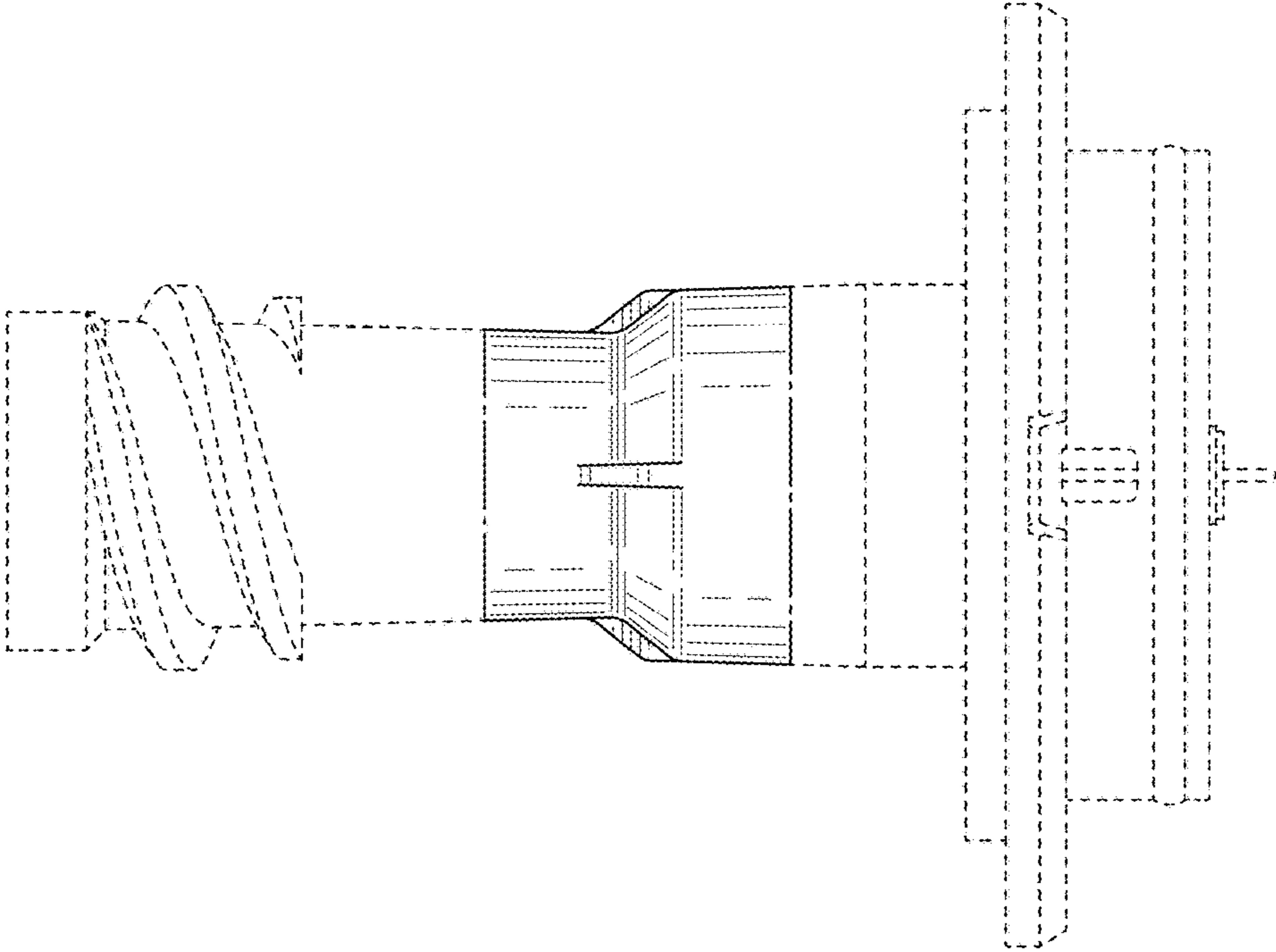


FIG. 5

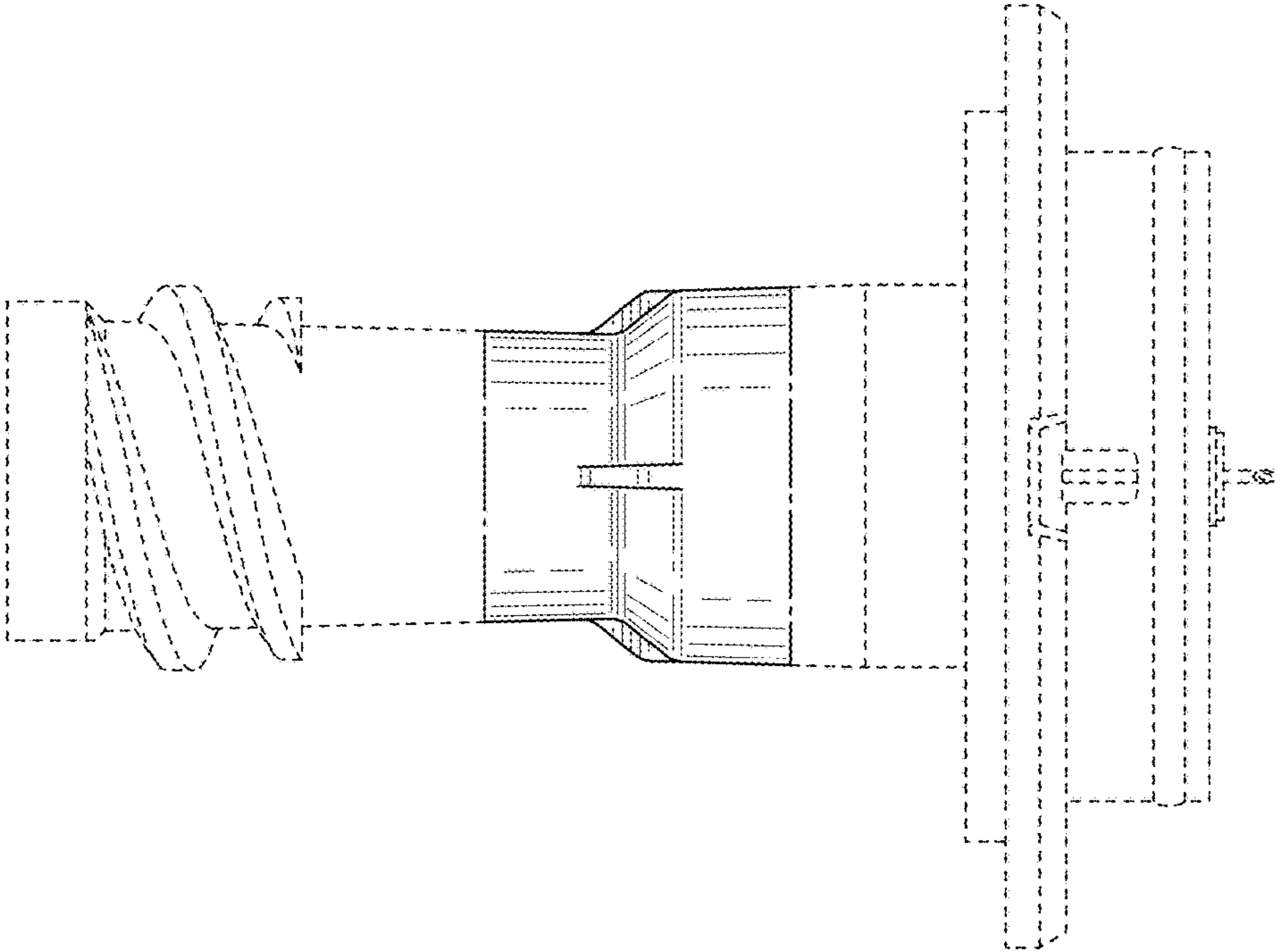


FIG. 4

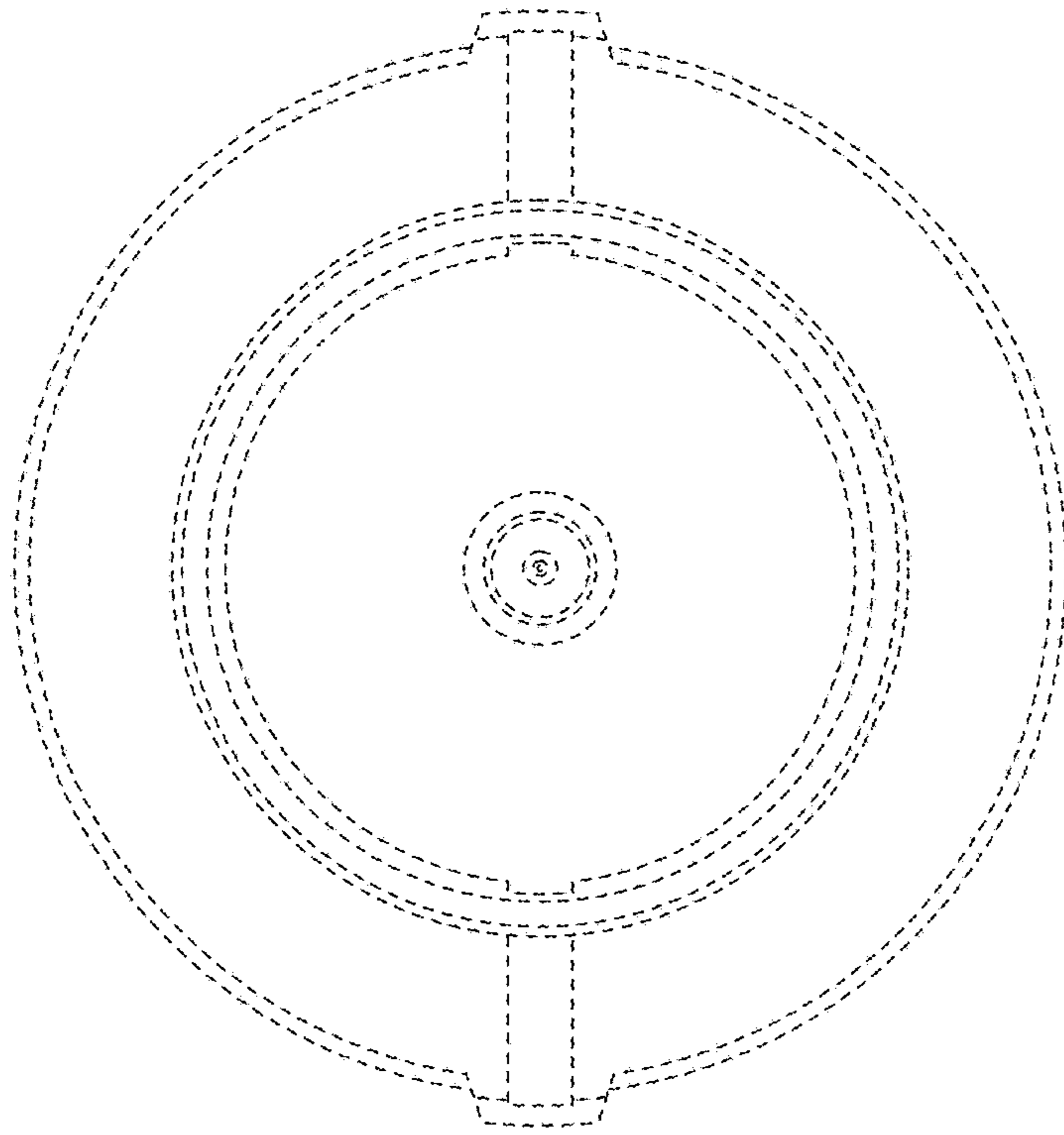


FIG. 7

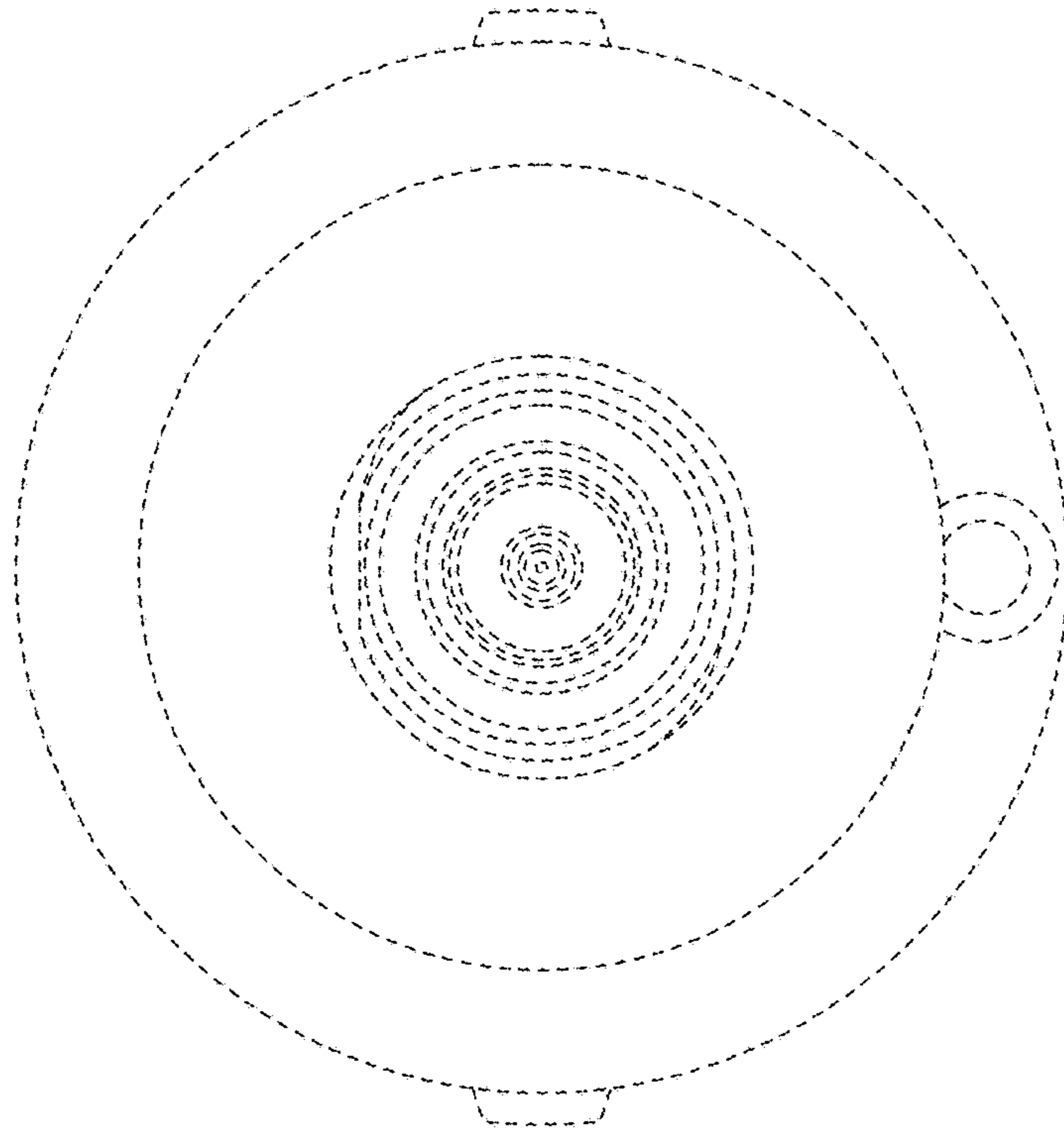


FIG. 6

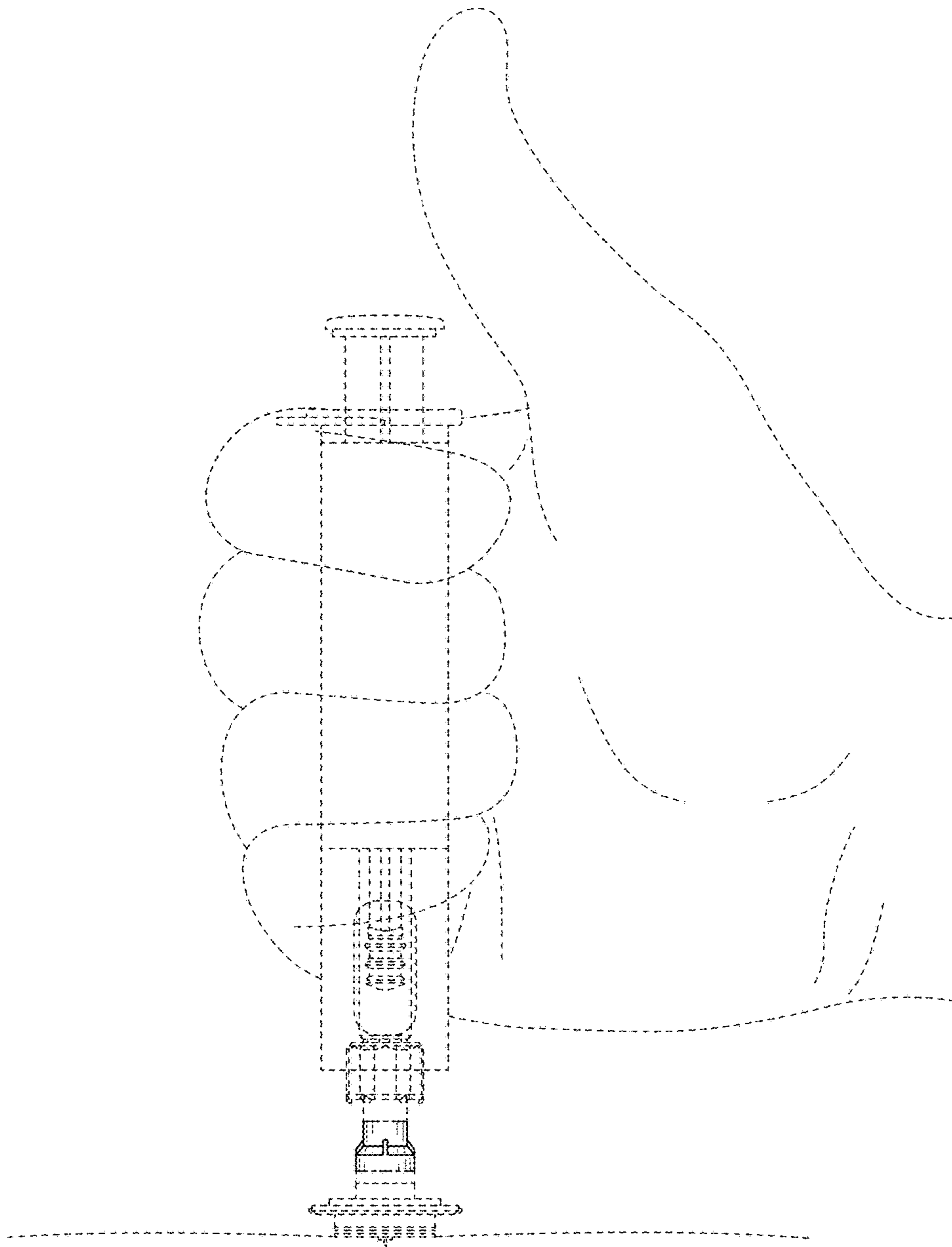


FIG. 8