



US00D787664S

(12) **United States Design Patent** (10) **Patent No.:** **US D787,664 S**
Grunhut (45) **Date of Patent:** **** May 23, 2017**

- (54) **MEDICAL SHIELD REMOVER**
- (71) Applicant: **Becton Dickinson France, Le Pont-de-Claix (FR)**
- (72) Inventor: **Guillaume Grunhut, Grenoble (FR)**
- (73) Assignee: **Becton Dickinson France, Le Pont-de-Claix (FR)**
- (**) Term: **15 Years**
- (21) Appl. No.: **29/556,953**
- (22) Filed: **Mar. 4, 2016**
- (51) **LOC (10) Cl.** **24-02**
- (52) **U.S. Cl.**
USPC **D24/127**
- (58) **Field of Classification Search**
USPC D24/127-131, 112-114, 133, 186;
606/181, 185; 604/506, 264, 523-528,
604/272, 187, 158, 164.01-164.11, 181,
604/184, 227; 600/101, 139, 143;
128/200.24, 207.14, 207.15
CPC .. A61M 25/00; A61M 39/00; A61M 25/0043;
A61M 25/0067; A61M 25/0097; A61F
2/958
See application file for complete search history.

- D483,487 S 12/2003 Harding et al.
- D492,774 S 7/2004 Cindrich et al.
- D497,990 S 11/2004 Jutila
- D505,200 S 5/2005 Simpson et al.
- (Continued)

OTHER PUBLICATIONS

Corbin, J-V et al., "Medical Injector with Enhanced Grip", Design U.S. Appl. No. 29/547,831, filed Dec. 8, 2015, 6 pp.
(Continued)

Primary Examiner — David Muller
(74) *Attorney, Agent, or Firm* — The Webb Law Firm

(57) **CLAIM**

The ornamental design for a medical shield remover, as shown and described.

DESCRIPTION

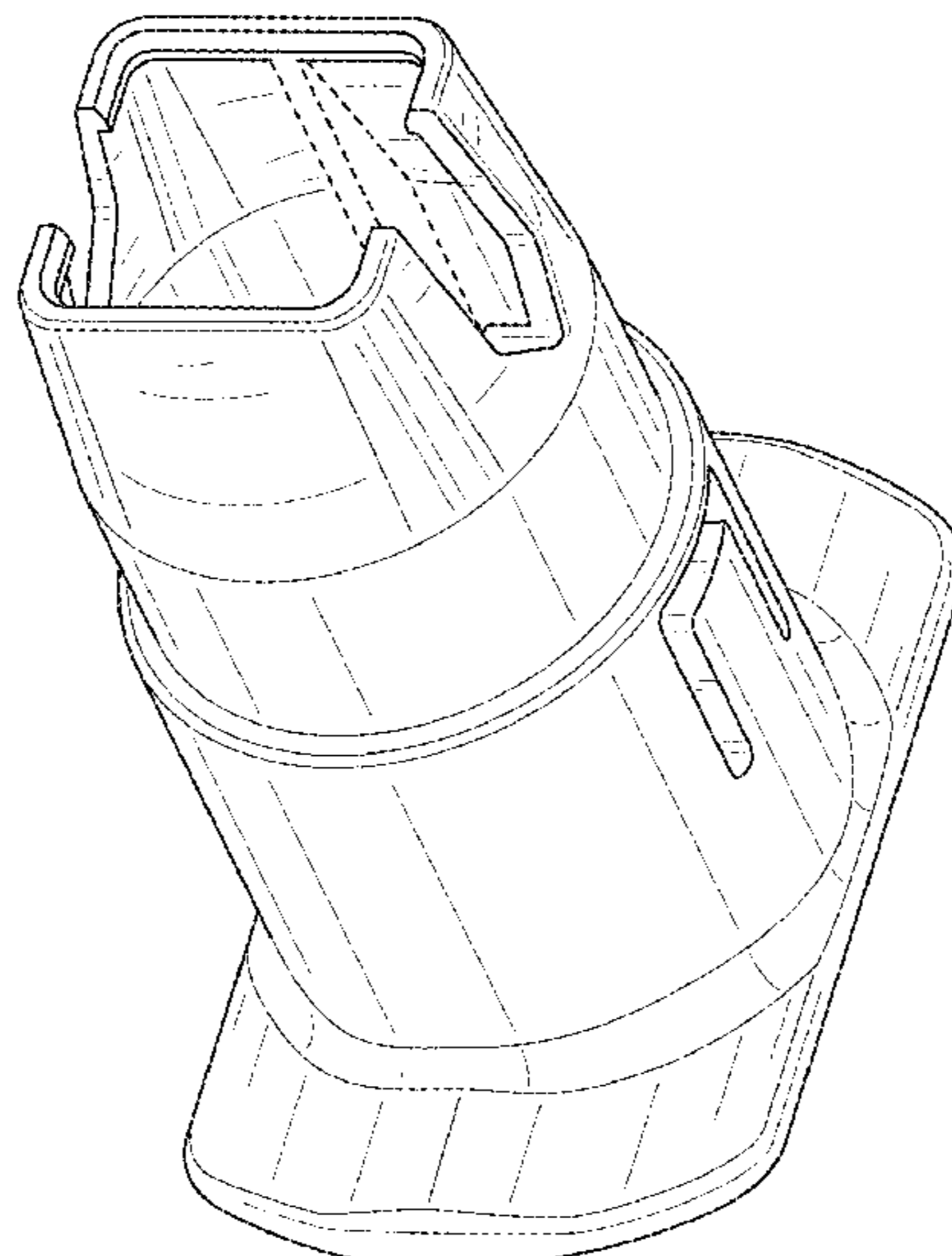
FIG. 1 is a top perspective view of a medical shield remover, in accordance with the present design;
FIG. 2 is a bottom perspective view thereof;
FIG. 3 is a front elevation view thereof;
FIG. 4 is a right side elevation view thereof;
FIG. 5 is a rear elevation view thereof;
FIG. 6 is a left side elevation view thereof;
FIG. 7 is a top plan view thereof;
FIG. 8 is a bottom plan view thereof;
FIG. 9 is a front elevation view thereof, with a syringe inserted therein;
FIG. 10 is top perspective view thereof, with a syringe inserted therein; and,
FIG. 11 is a bottom perspective view thereof, with a syringe inserted therein.
Portions of the medical shield remover shown in dashed lines in FIGS. 1, 2, 3, 5, and 7-11 depict unclaimed portions of the medical shield remover that are included for environmental purposes only.

(56) **References Cited**

U.S. PATENT DOCUMENTS

- D239,021 S 3/1976 D'Alo
- 4,365,626 A 12/1982 House
- 4,832,695 A 5/1989 Rosenberg et al.
- 4,929,232 A 5/1990 Sweeney et al.
- D337,157 S 7/1993 Ortiz
- D375,788 S 11/1996 Potts et al.
- D380,262 S 6/1997 Van Funderburk et al.
- 5,647,849 A 7/1997 Kalin
- D427,308 S 6/2000 Zinger
- D473,646 S 4/2003 Baillargeon et al.
- 6,582,397 B2 6/2003 Alesi et al.

1 Claim, 11 Drawing Sheets



(56)

References Cited

U.S. PATENT DOCUMENTS

7,059,327 B2 * 6/2006 Worthington A61F 2/20
128/200.26

D607,558 S 1/2010 Abry et al.

D629,510 S 12/2010 Grunhut

D637,713 S * 5/2011 Nord D24/129

D642,261 S * 7/2011 York D24/130

D655,017 S * 2/2012 Mosler D24/129

D679,008 S * 3/2013 Schroeder D24/129

D702,343 S * 4/2014 Dale D24/129

8,858,507 B2 * 10/2014 Nielsen A61M 5/3202
604/162

D718,439 S * 11/2014 Woehr D24/130

D738,494 S * 9/2015 Kashmirian D24/127

D750,239 S * 2/2016 Pappalardo D24/130

D750,258 S * 2/2016 Crossley D24/129

D760,891 S * 7/2016 Nakamura D24/114

D768,850 S * 10/2016 Rozwadowski D24/130

2001/0044606 A1 11/2001 Inkpen et al.

2004/0133172 A1 7/2004 Wilkinson

2004/0210197 A1 10/2004 Conway

2008/0228147 A1 9/2008 David-Hegerich et al.

2009/0312705 A1 12/2009 Grunhut et al.

OTHER PUBLICATIONS

Corbin, J-V et al., "T-Shaped Cap for a Medical Injector", Design U.S. Appl. No. 29/547,832, filed Dec. 8, 2015, 9 pp.

Nguyen, E., "Cap for a Medical Injector Having a Hemispherical Portion", Design U.S. Appl. No. 29/547,834, filed Dec. 8, 2015, 9 pp.

Nguyen, E., "T-Shaped Cap for a Medical Injector", Design U.S. Appl. No. 29/547,839, filed Dec. 8, 2015, 9 pp.

* cited by examiner

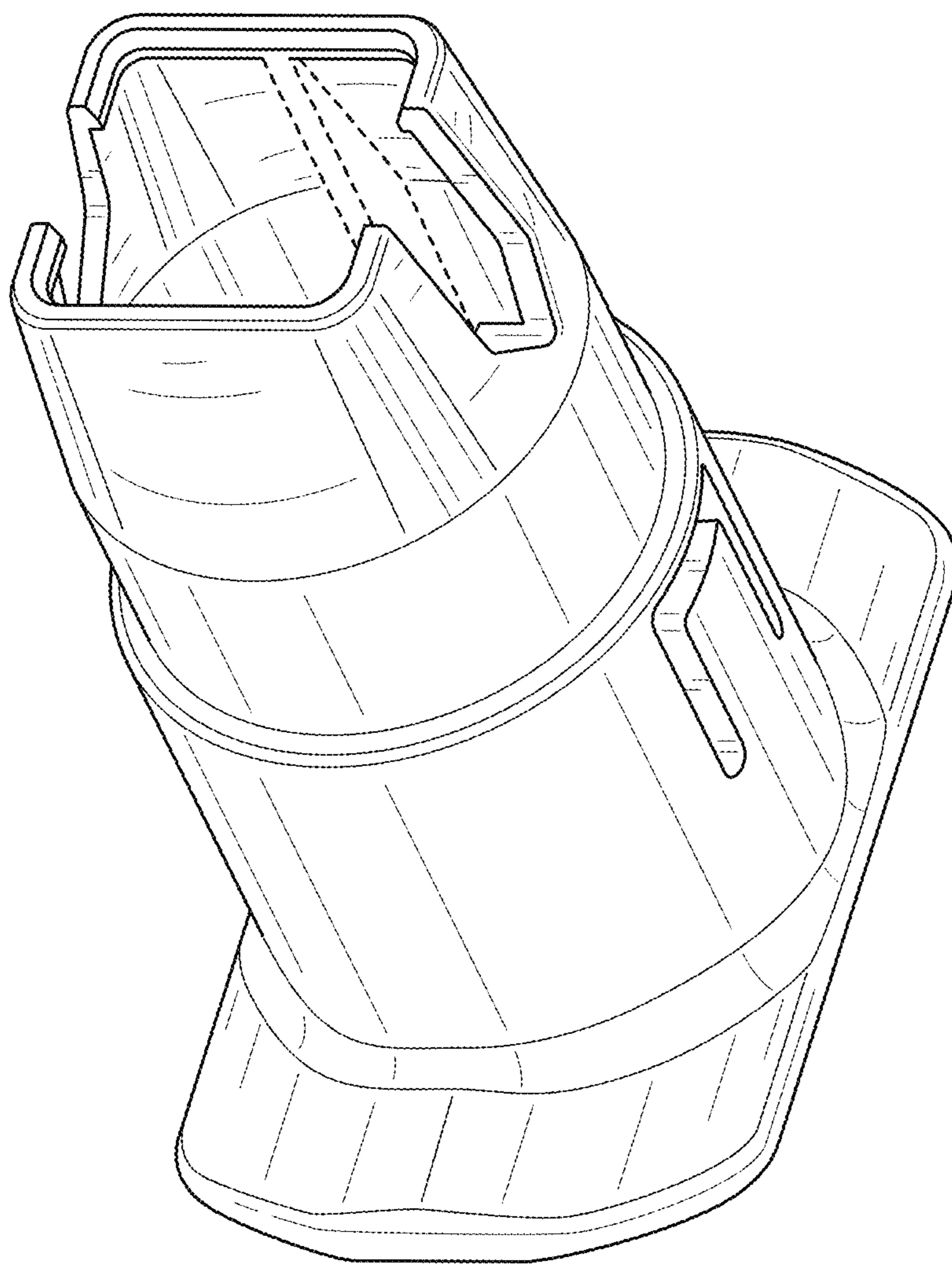


FIG. 1

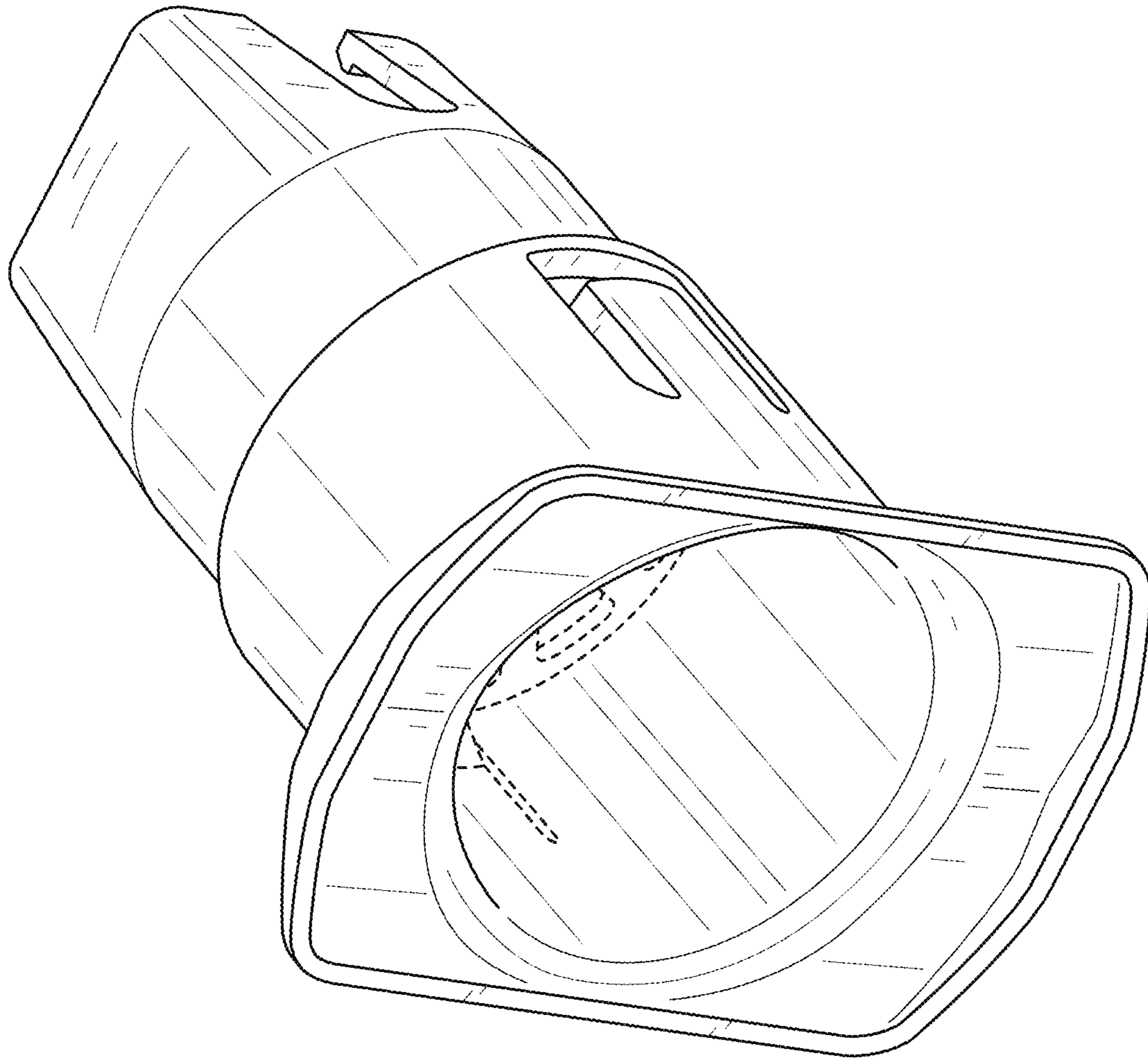


FIG. 2

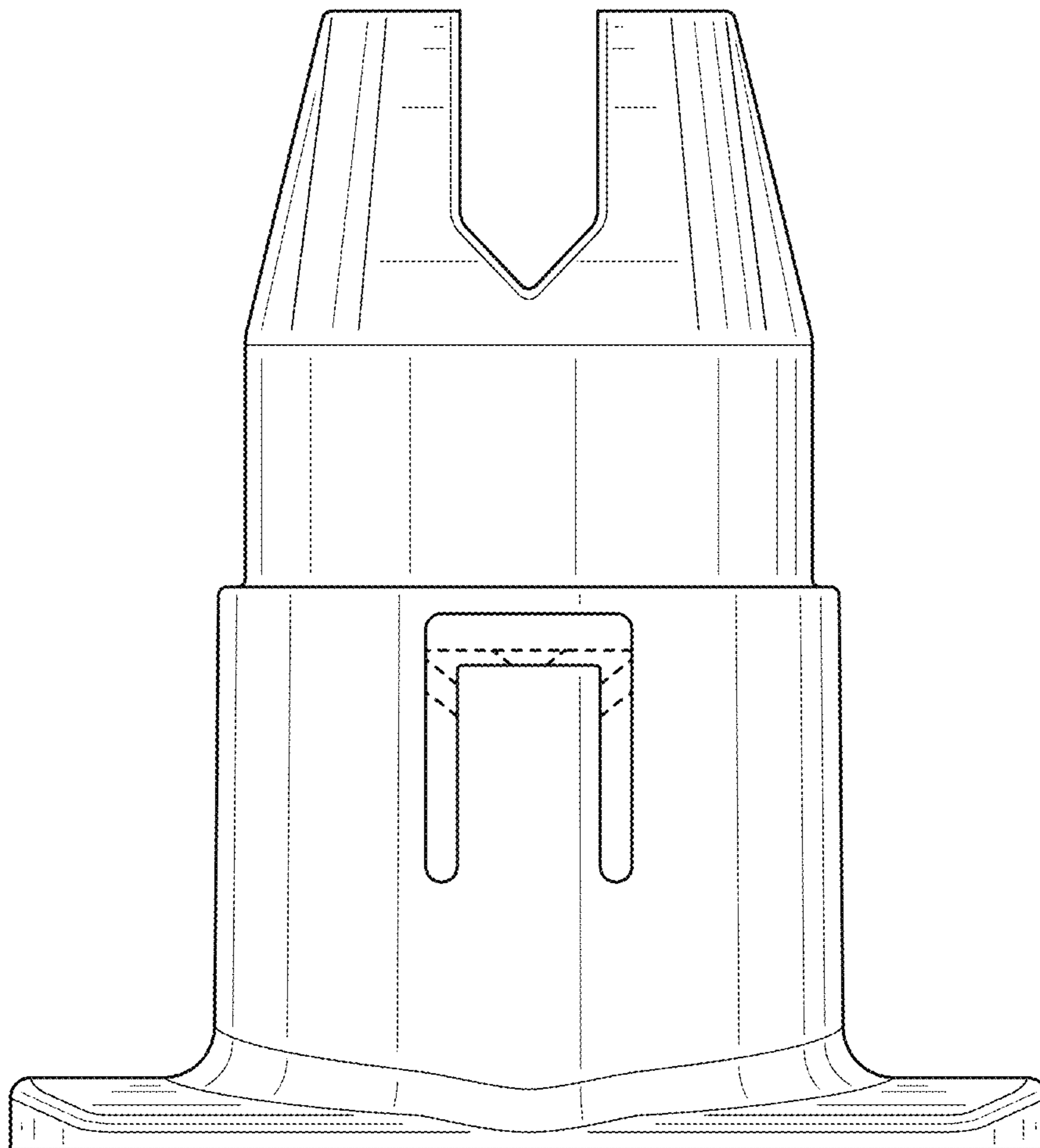


FIG. 3

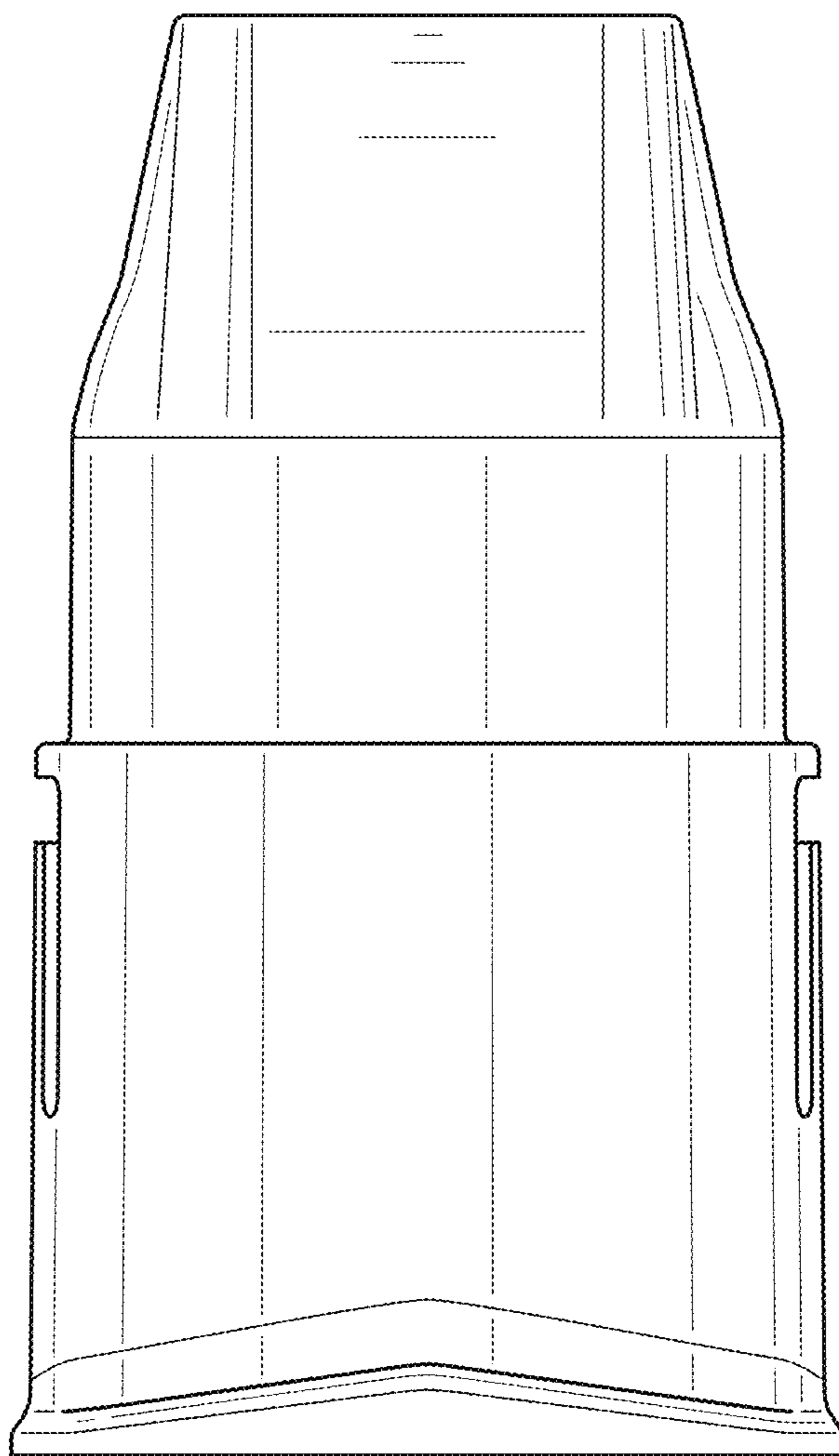


FIG. 4

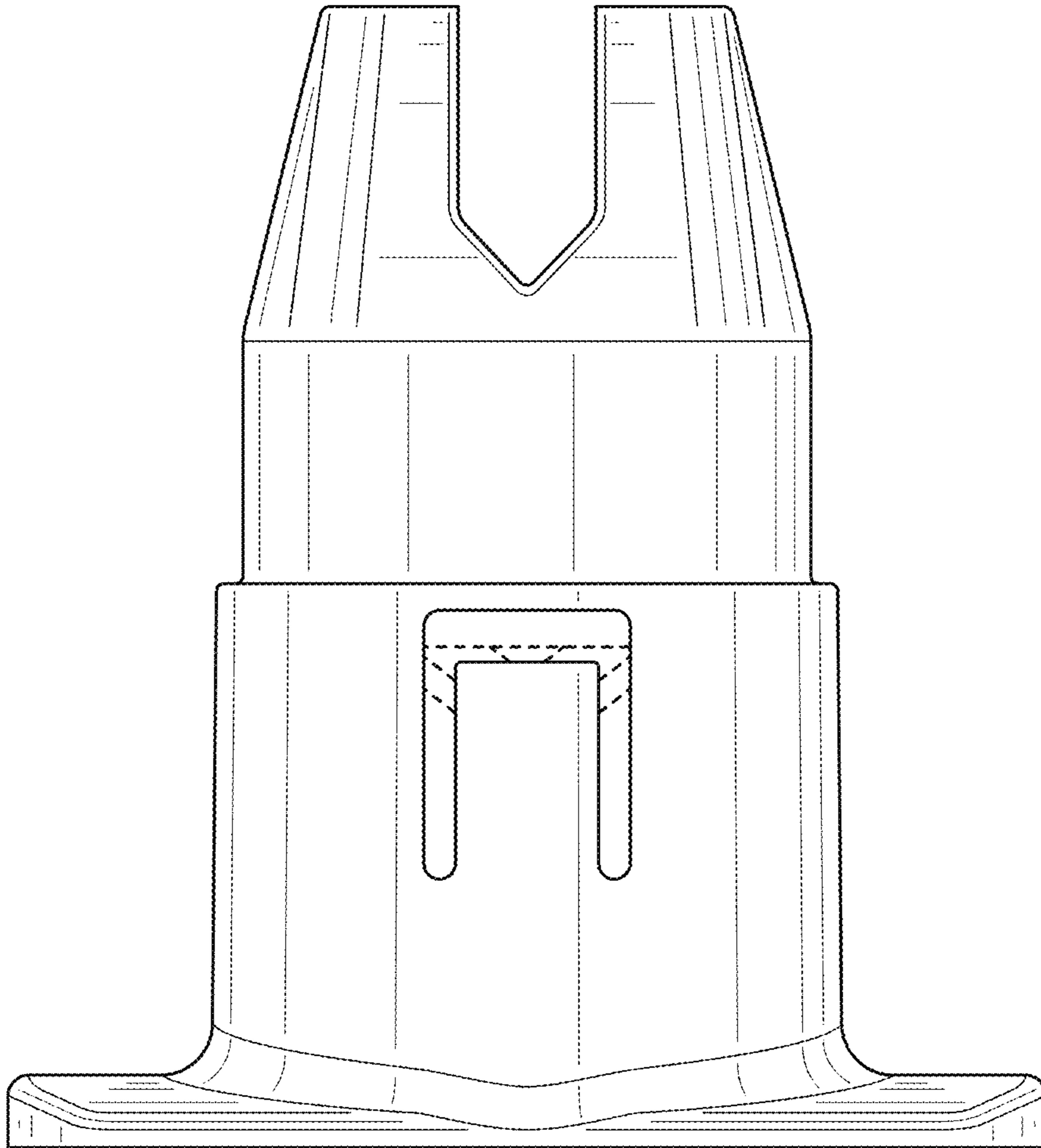


FIG. 5

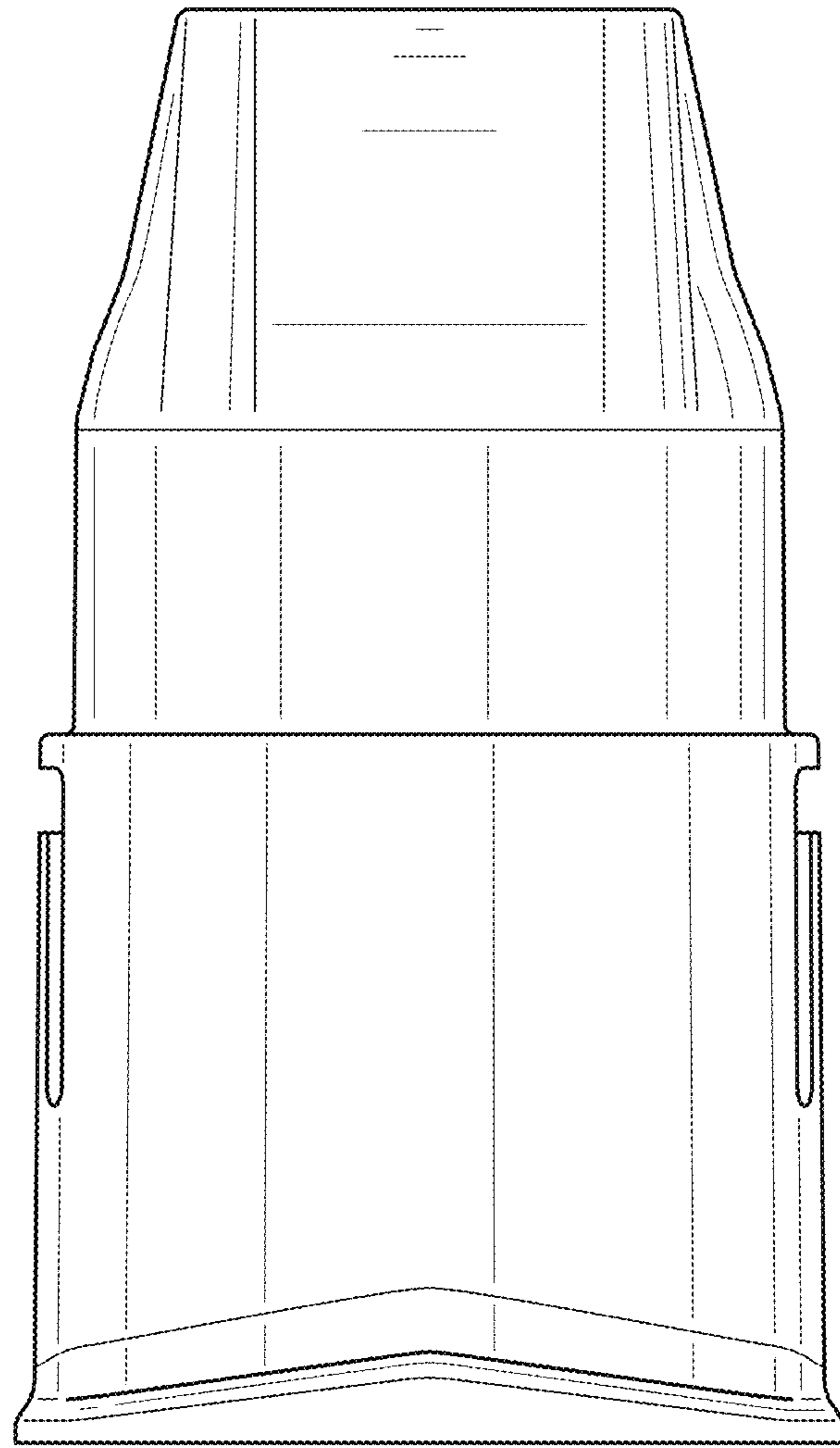


FIG. 6

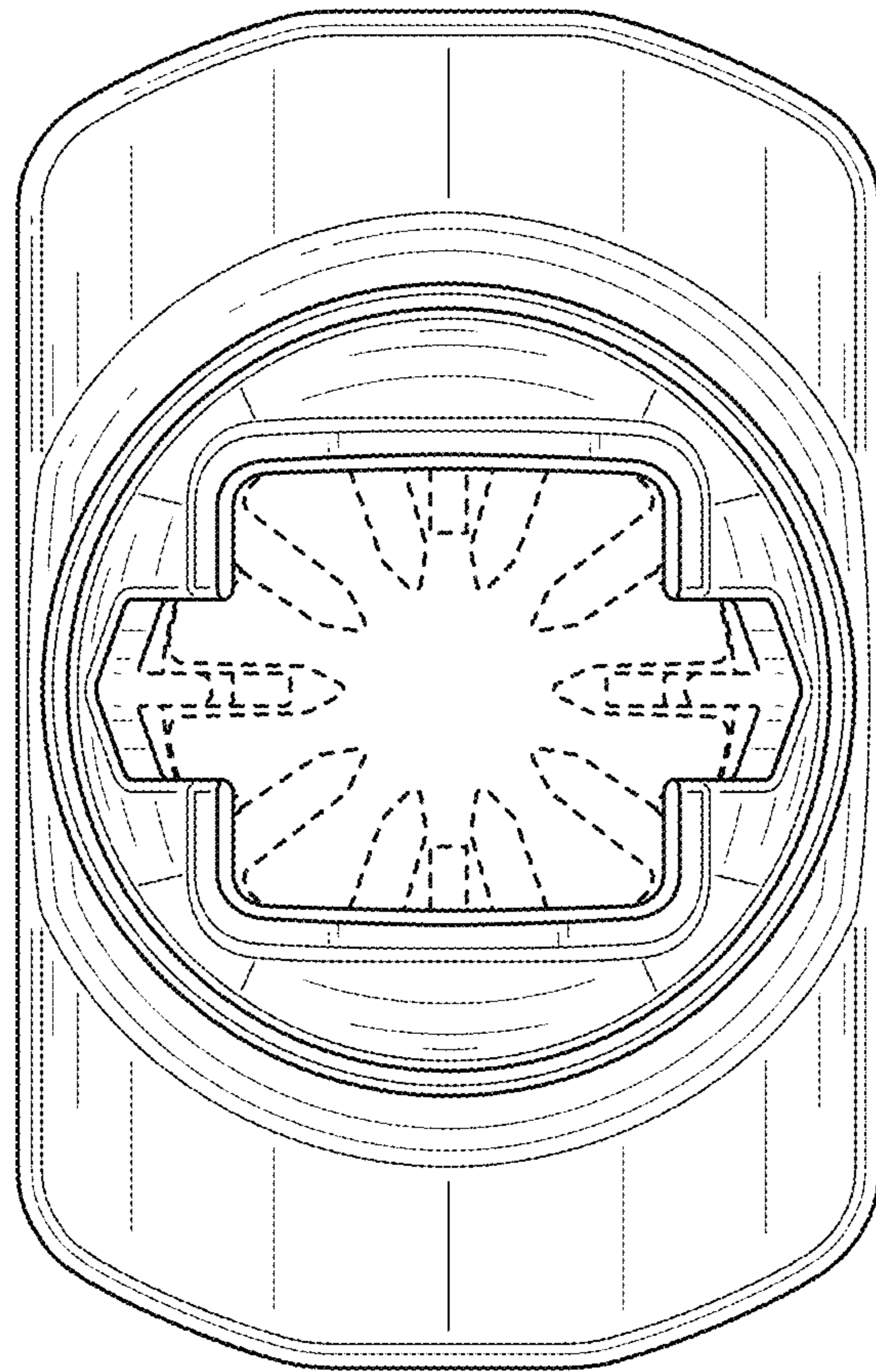


FIG. 7

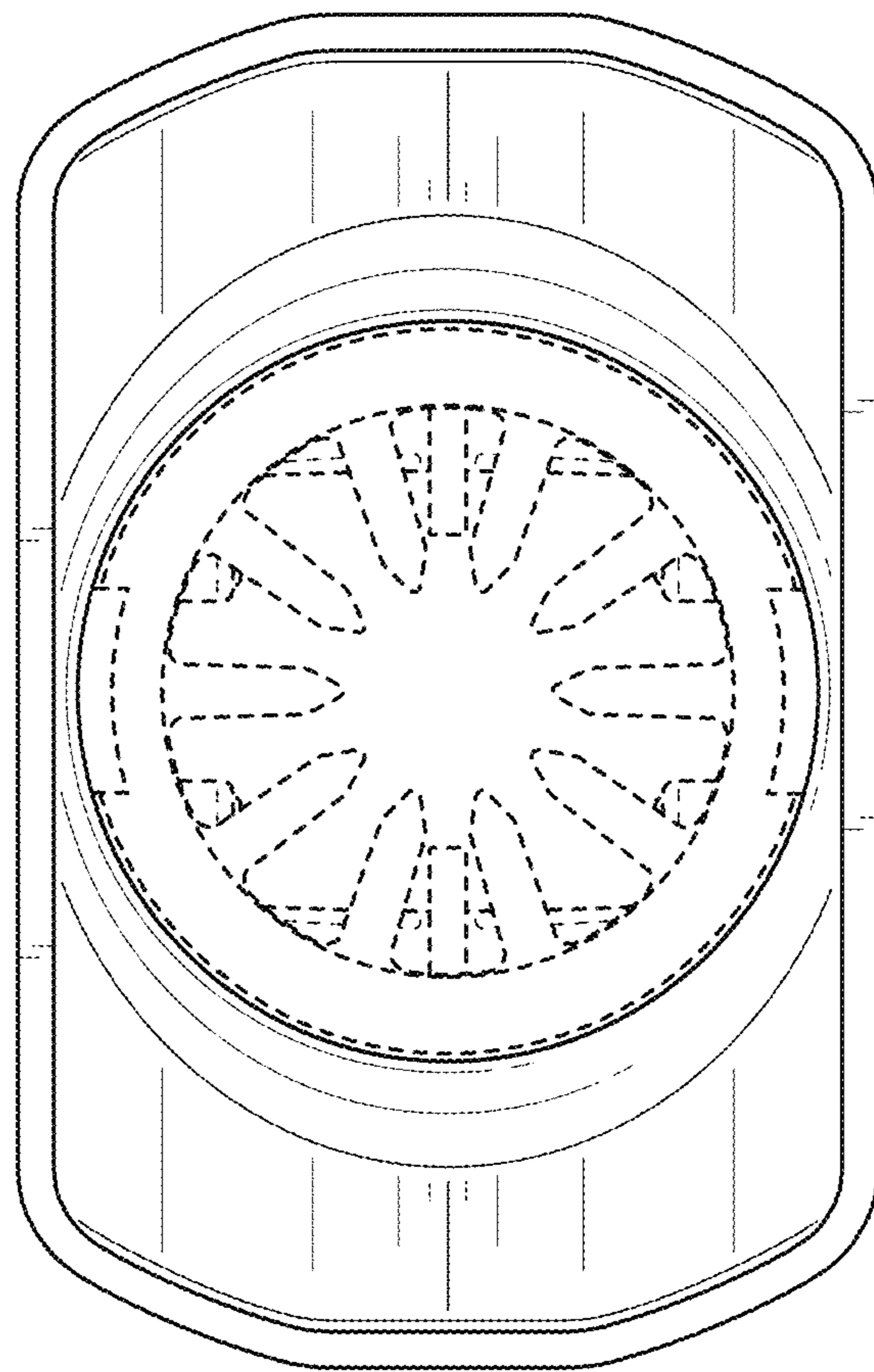


FIG. 8

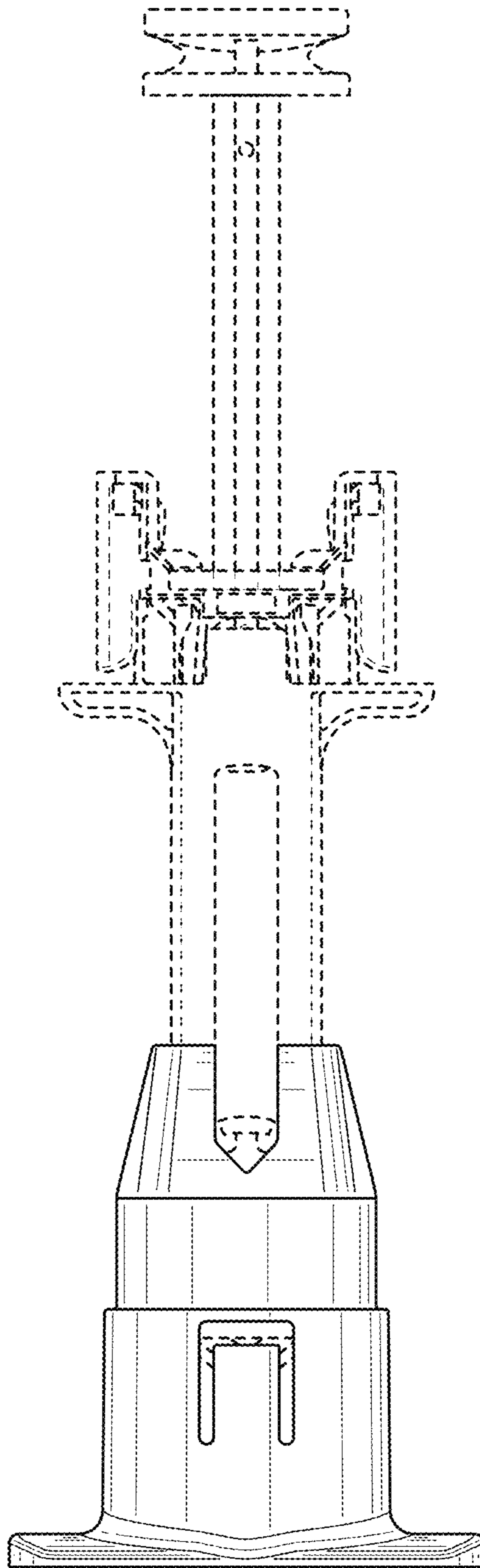


FIG. 9

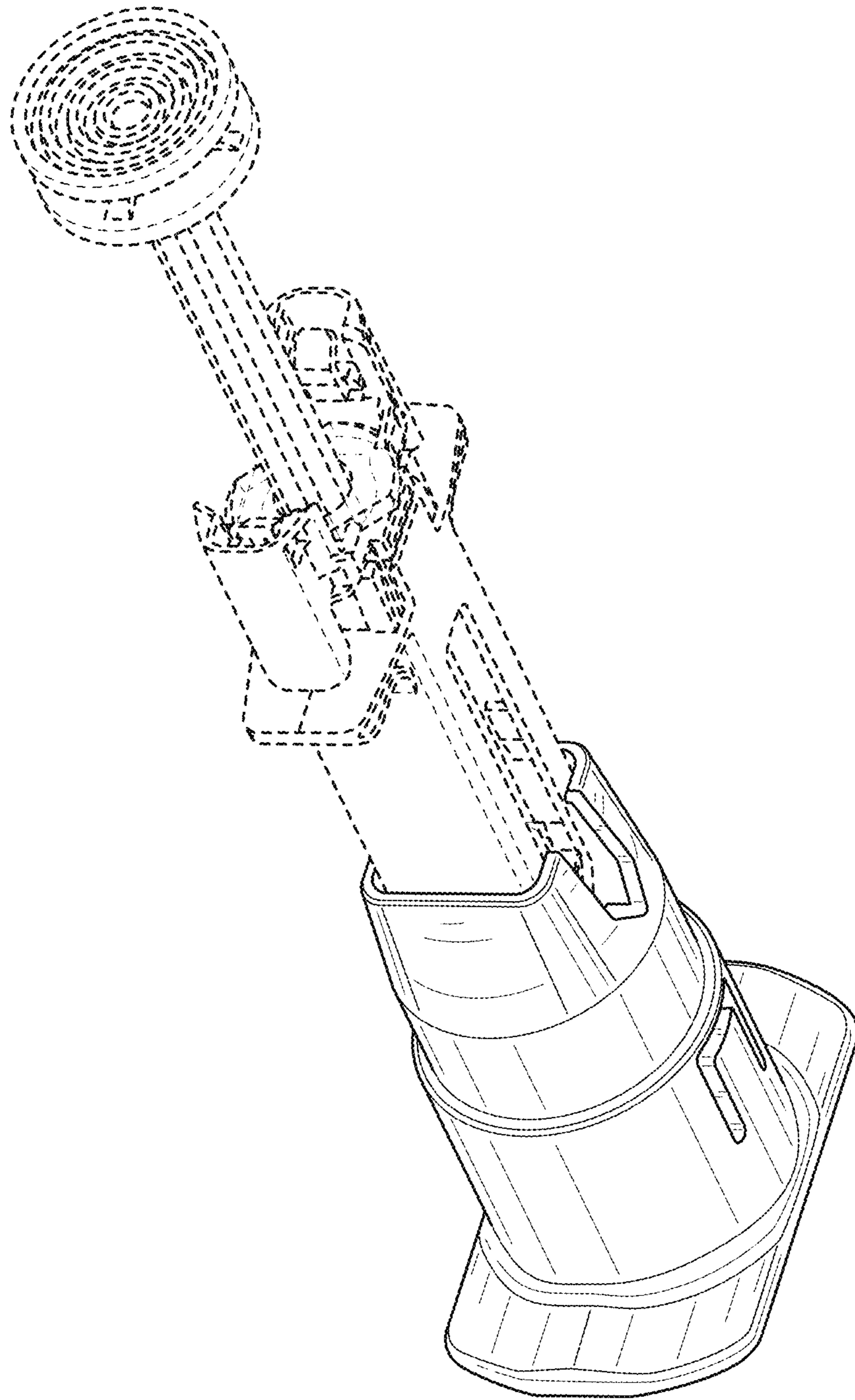


FIG. 10

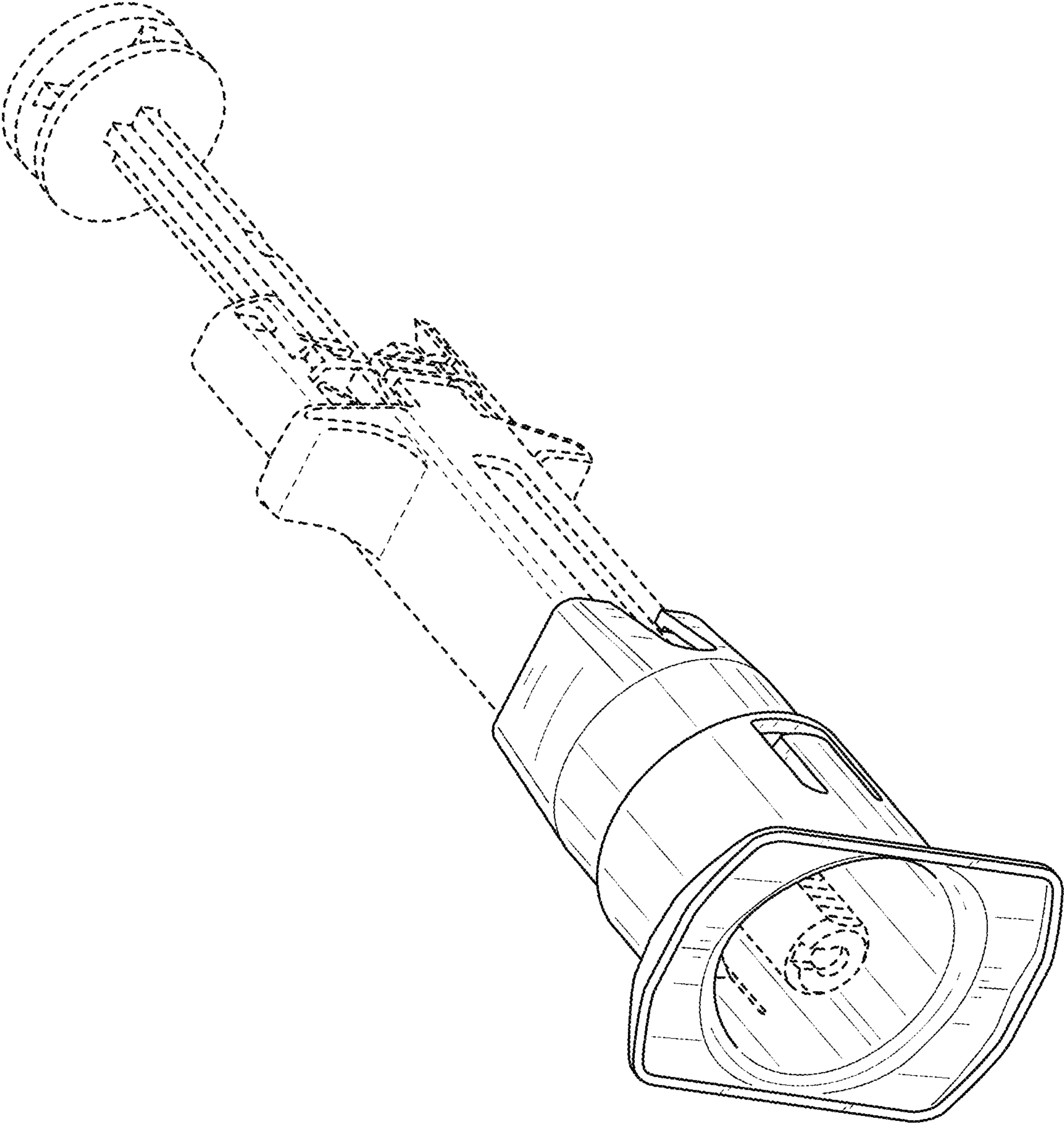


FIG. 11