



US00D787663S

(12) **United States Design Patent**
Schlueter

(10) **Patent No.:** **US D787,663 S**

(45) **Date of Patent:** **** May 23, 2017**

(54) **FLEXIBLE ASPIRATION CANNULA**

(71) Applicant: **Coltene/Whaledent GmbH & Co. KG**,
Langenau (DE)

(72) Inventor: **Martin Schlueter**, Wangen (DE)

(73) Assignee: **COLTENE/WHALEDENT GMBH & CO. KG**,
Langenau (DE)

(**) Term: **14 Years**

(21) Appl. No.: **29/463,165**

(22) Filed: **Aug. 16, 2013**

(30) **Foreign Application Priority Data**

Feb. 19, 2013 (DE) 40 2013 000 884

(51) **LOC (10) Cl.** **24-02**

(52) **U.S. Cl.**
USPC **D24/112**

(58) **Field of Classification Search**
USPC D24/112-114, 133, 186, 130, 127, 129,
D24/108, 176, 180, 182; 600/400,
(Continued)

(56) **References Cited**

U.S. PATENT DOCUMENTS

D256,485 S * 8/1980 McQuarrie D21/568
5,049,071 A * 9/1991 Davis et al. 433/80
(Continued)

OTHER PUBLICATIONS

Coltene, Reko surgical Aspirator tips brochure in English, May 4,
2015, http://www.coltene.com/download.php?file_id=5724.*

Primary Examiner — David Muller
Assistant Examiner — Nathan Johnston

(74) *Attorney, Agent, or Firm* — Licata & Tyrrell P.C.

(57) **CLAIM**

The ornamental design for a flexible aspiration cannula, as shown and described.

DESCRIPTION

FIG. 1 is a right side elevation view of a flexible aspiration cannula showing my new design which contains the end piece with cannula, two middle pieces and an adapter; the left side elevation view, front elevation view and rear elevation view being identical.

FIG. 2 is a perspective view of flexible aspiration cannula in its environment.

FIG. 3 is a top plan view thereof.

FIG. 4 is a bottom plan view thereof.

FIG. 5 is a side view of the end piece of the flexible aspiration cannula shown separately for ease of illustration.

FIG. 6 is a front perspective thereof.

FIG. 7 is a side view of the middle piece of the flexible aspiration cannula shown separately for ease of illustration.

FIG. 8 is a front perspective thereof.

FIG. 9 is a side elevation view of the adapter piece of the flexible aspiration cannula shown separately for ease of illustration.

FIG. 10 is a front perspective thereof.

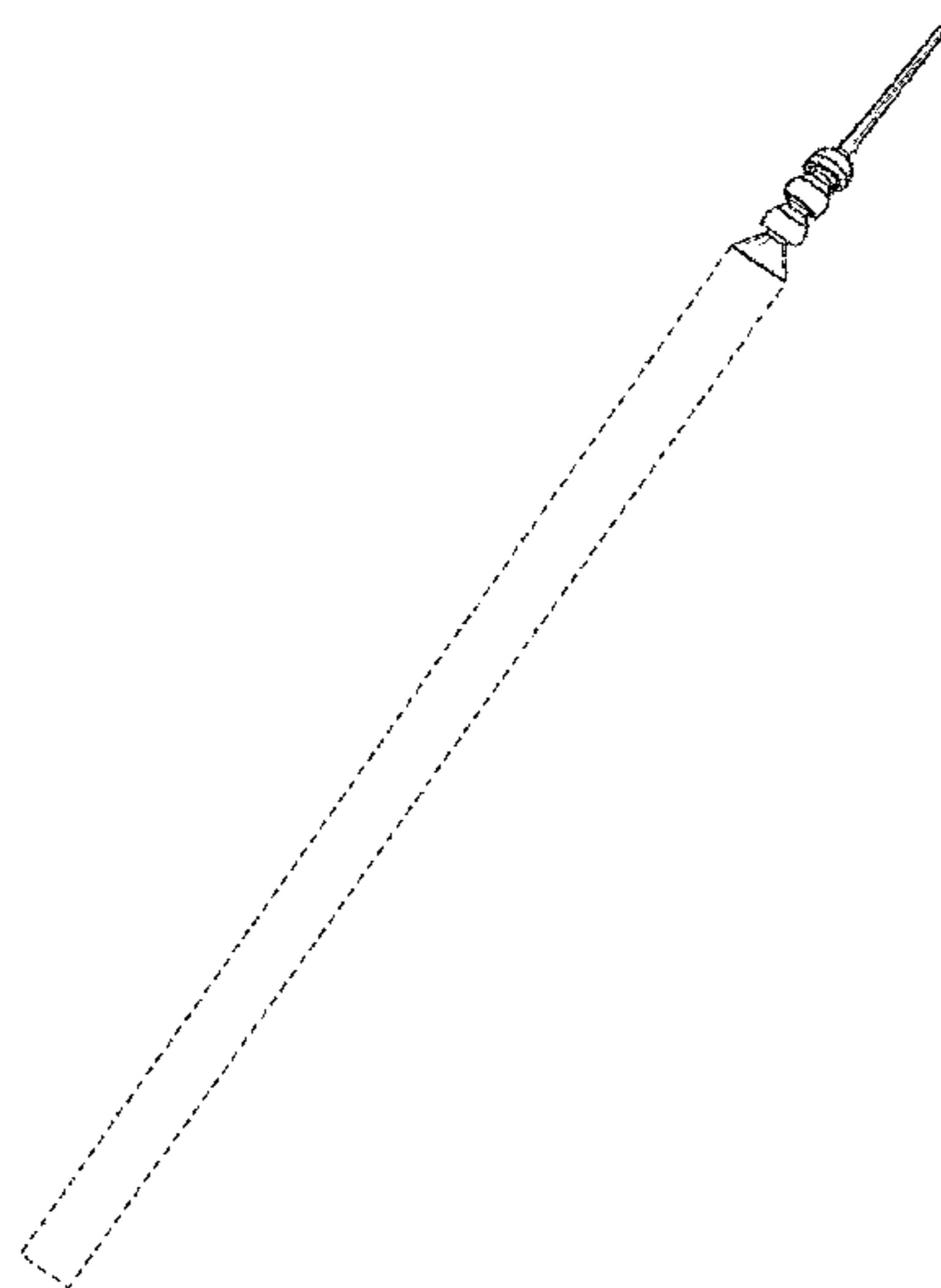
FIG. 11 is a rear perspective thereof; and,

FIG. 12 is a second perspective view of the flexible aspiration cannula shown in its environment.

The broken line showing of flexible aspiration cannula is included for the purpose of illustrating portions of the “article” and environment and forms no part of the claimed design.

The claimed flexible aspiration cannula is for a dental aspiration instrument of use in aspirating liquids (e.g., saliva, blood, water, etc.) or small fragments of organic particles, for example fragments of teeth deriving from the action of a tool on a tooth or inorganic residues due to tool consumption. The claimed flexible aspiration cannula is composed of plastic and includes one or more middle pieces for imparting flexibility.

1 Claim, 5 Drawing Sheets



(58) **Field of Classification Search**

USPC 600/473–476, 101, 139, 143; 606/15–16,
606/181, 185; 604/264, 280, 256, 164,
604/283, 174, 272, 115, 232, 187, 158,
604/164.08, 192, 263, 163, 181, 184, 198,
604/227; 128/200.24, 207.14, 207.15;
433/91, 92; 210/416.1, 435, 446, 448,
210/452
CPC A61C 17/043; A61C 17/046; A61C 19/00
See application file for complete search history.

(56) **References Cited**

U.S. PATENT DOCUMENTS

5,129,825	A *	7/1992	Discko, Jr.	433/90
6,183,254	B1 *	2/2001	Cohen	433/92
6,425,885	B1 *	7/2002	Fischer et al.	604/218
D515,208	S *	2/2006	Tarumi	D24/114
D587,809	S *	3/2009	Boehm et al.	D24/181
7,776,010	B2 *	8/2010	Jessop et al.	604/87
D644,328	S *	8/2011	Pauser	D24/176
D685,466	S *	7/2013	Moshinsky	D24/130
D713,027	S *	9/2014	Adams	D24/112
D718,440	S *	11/2014	Besse et al.	D24/133
2008/0058717	A1 *	3/2008	Spector	604/117

* cited by examiner

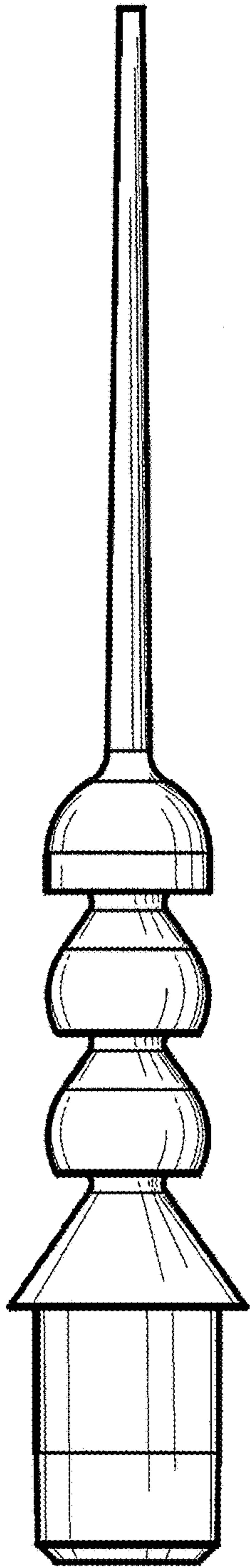


FIG. 1

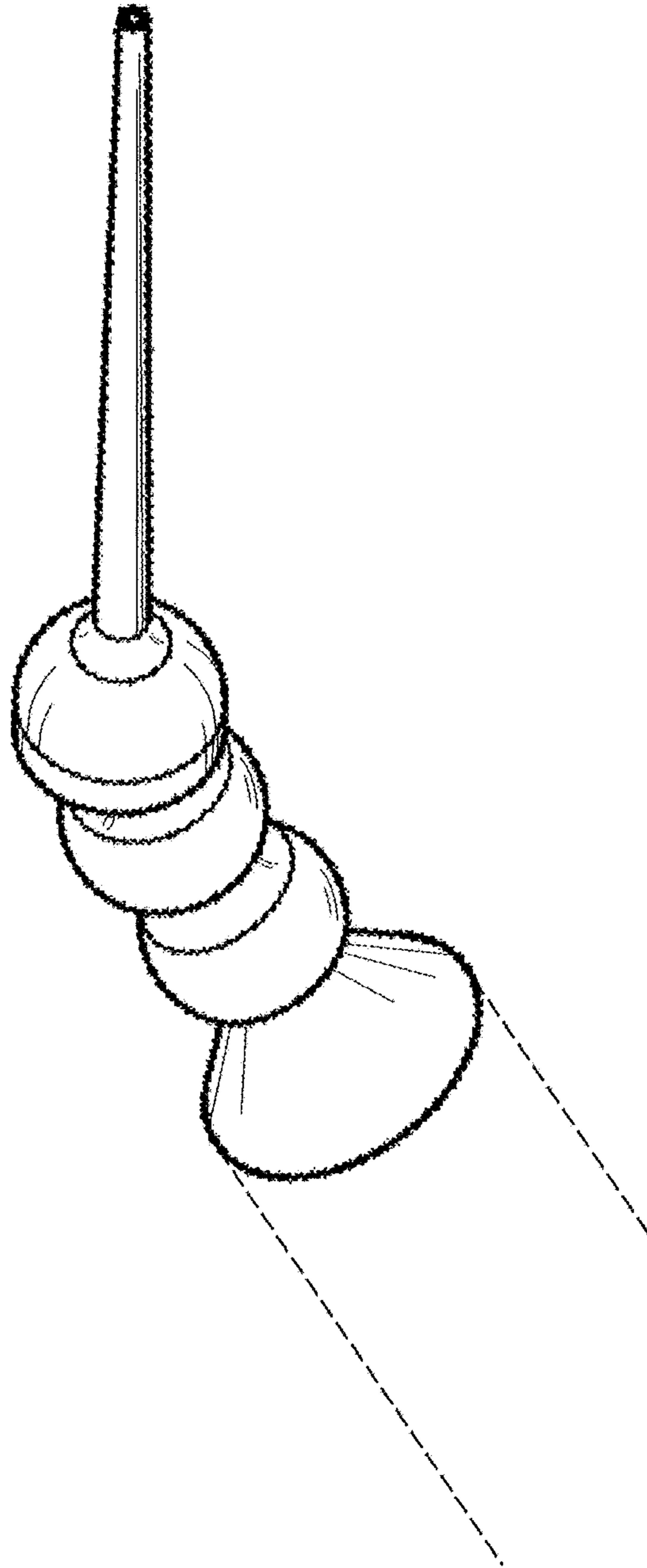


FIG. 2

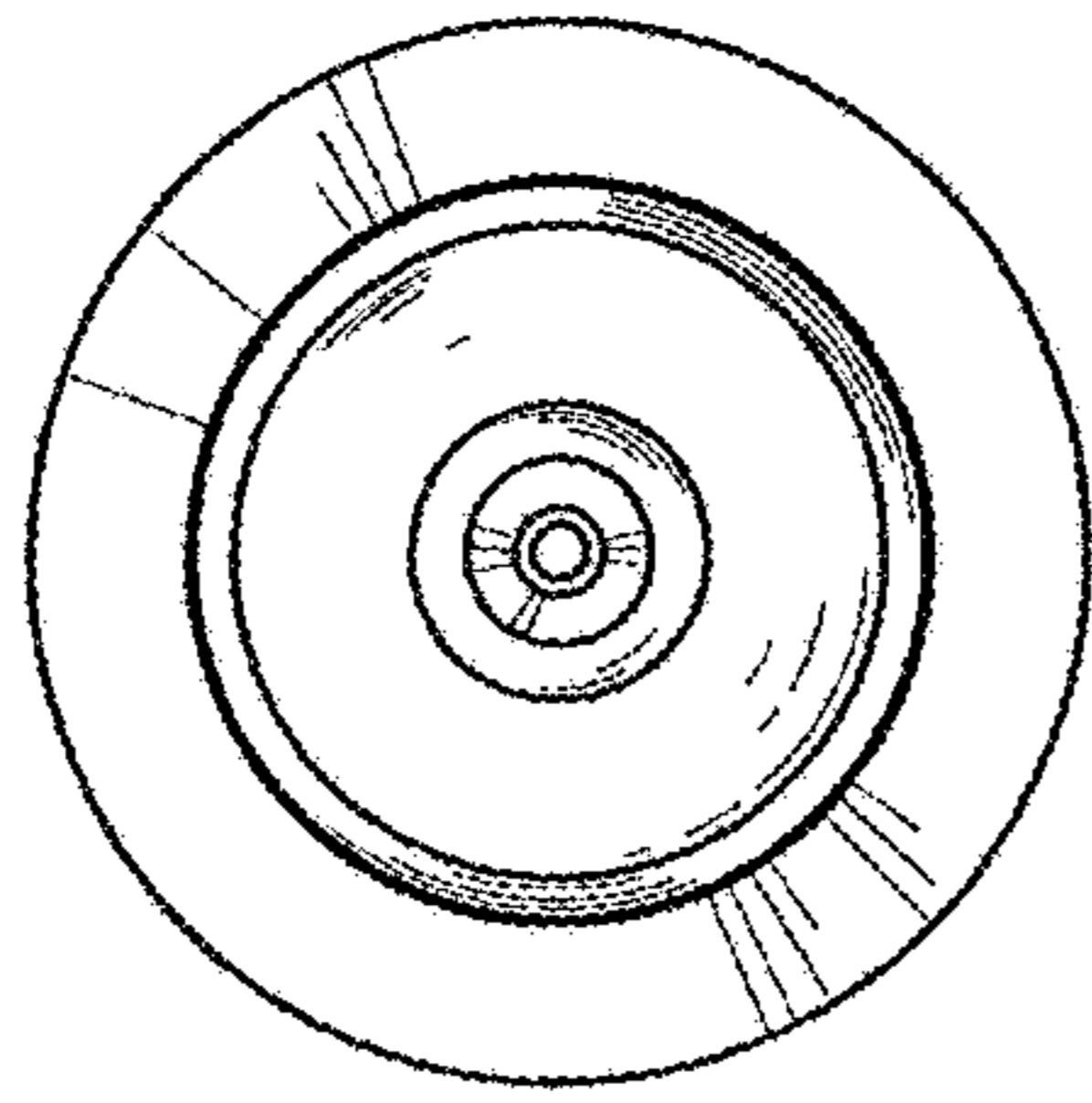


FIG. 3

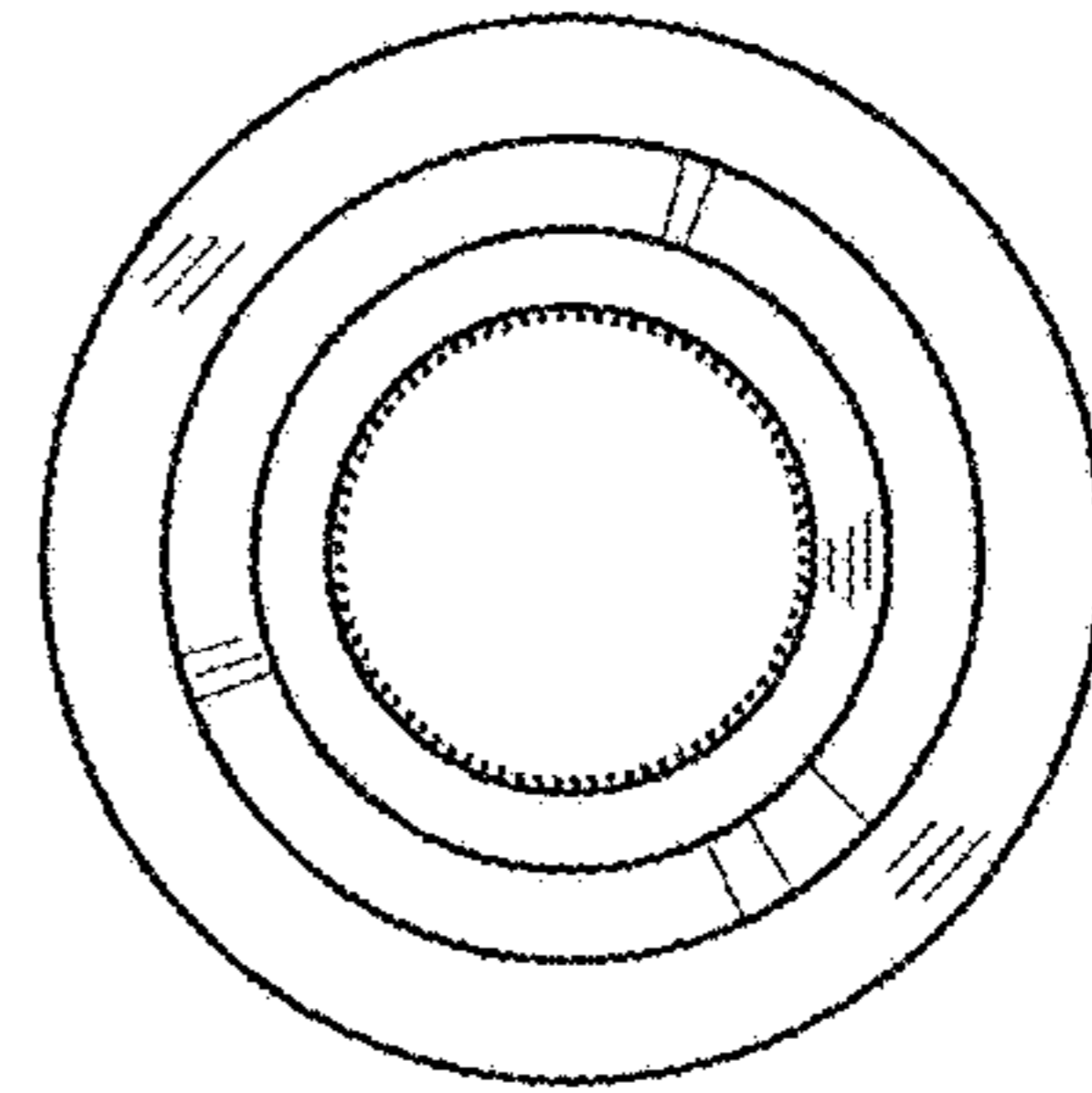


FIG. 4

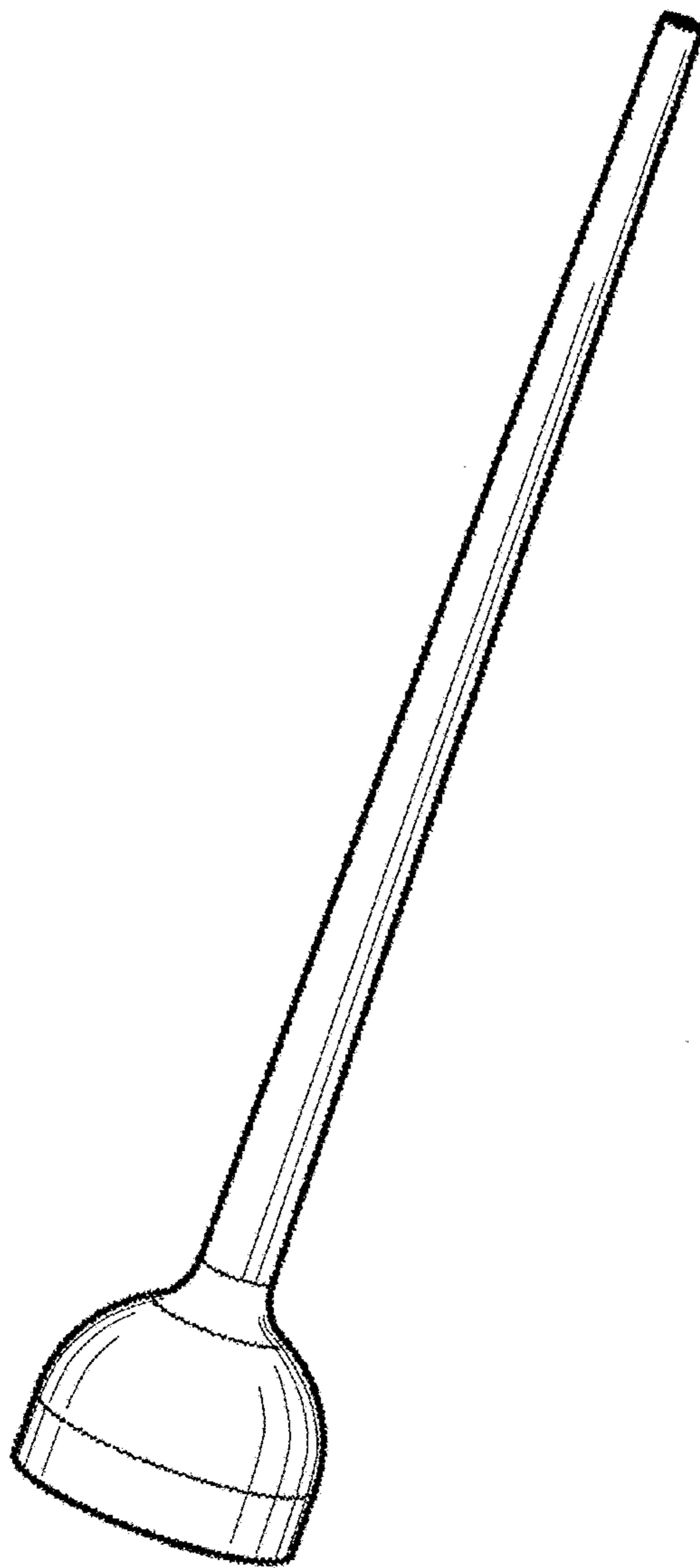


FIG. 5

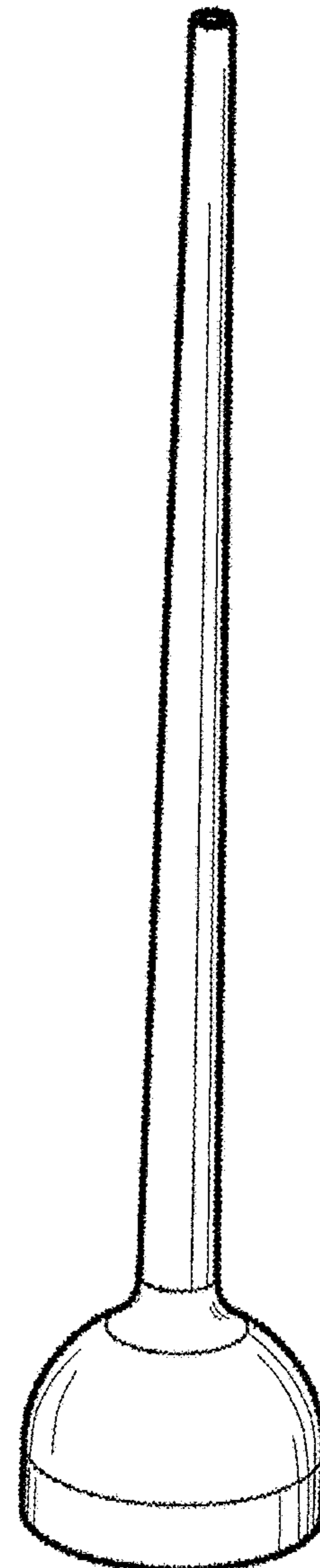


FIG. 6

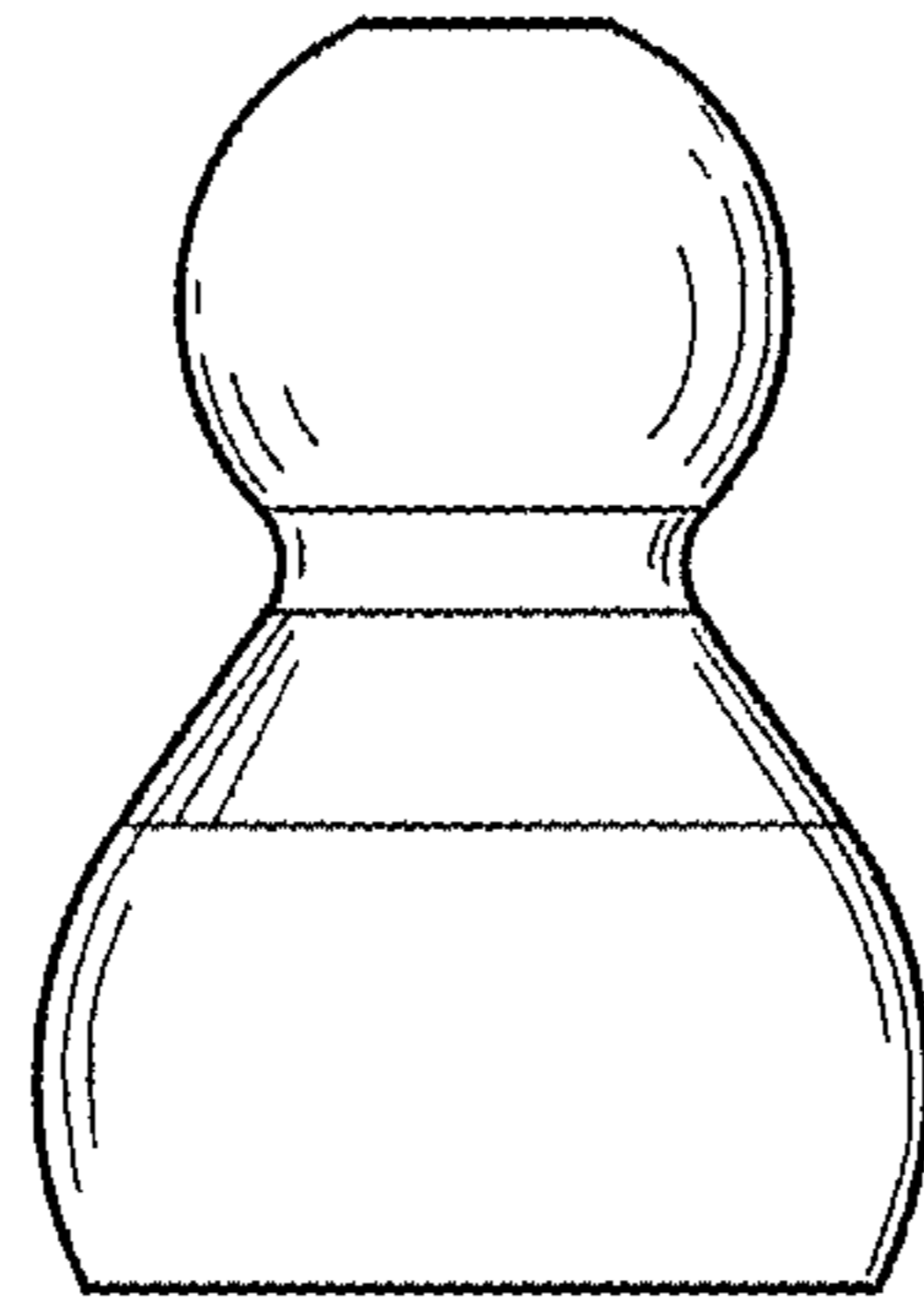


FIG. 7

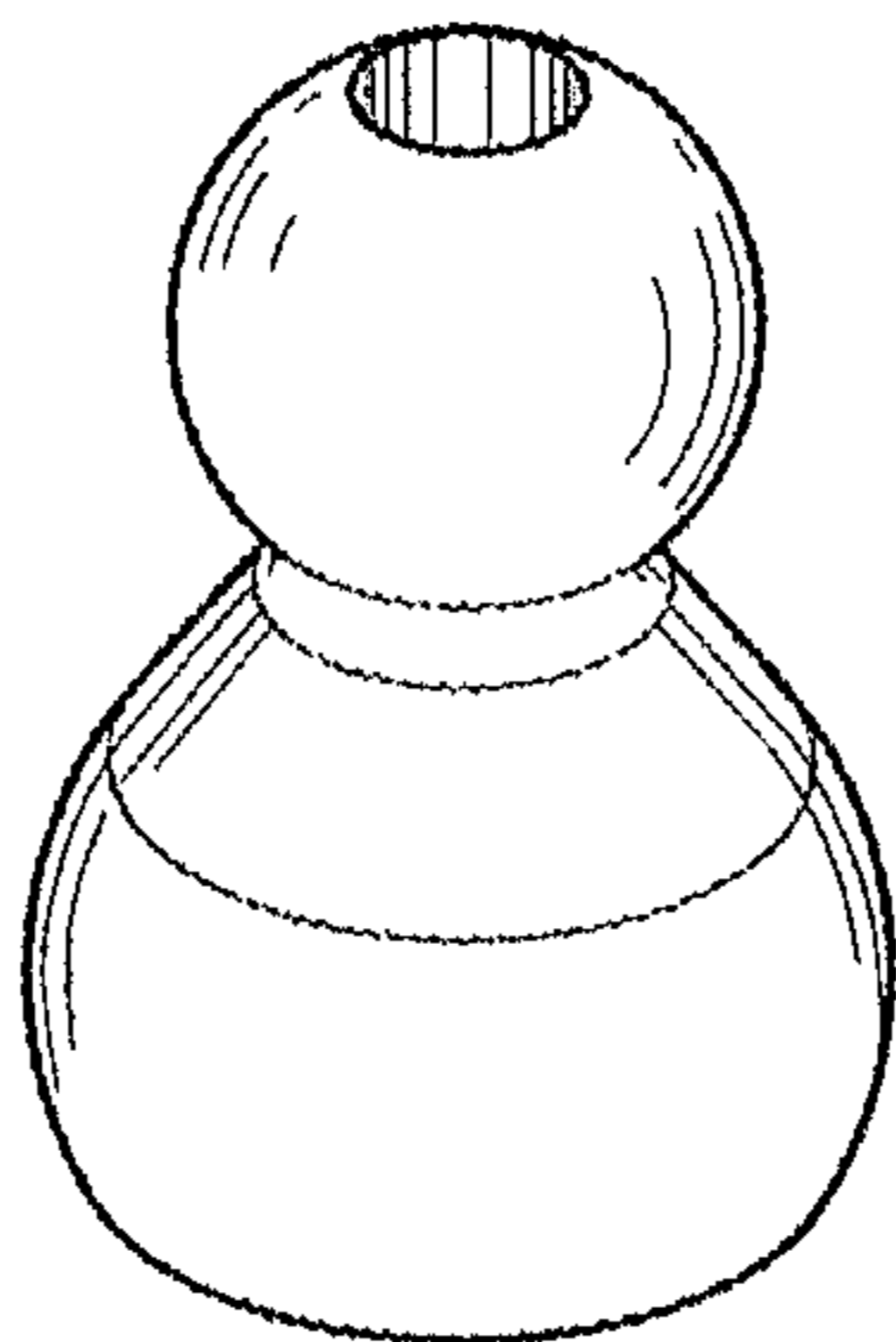


FIG. 8

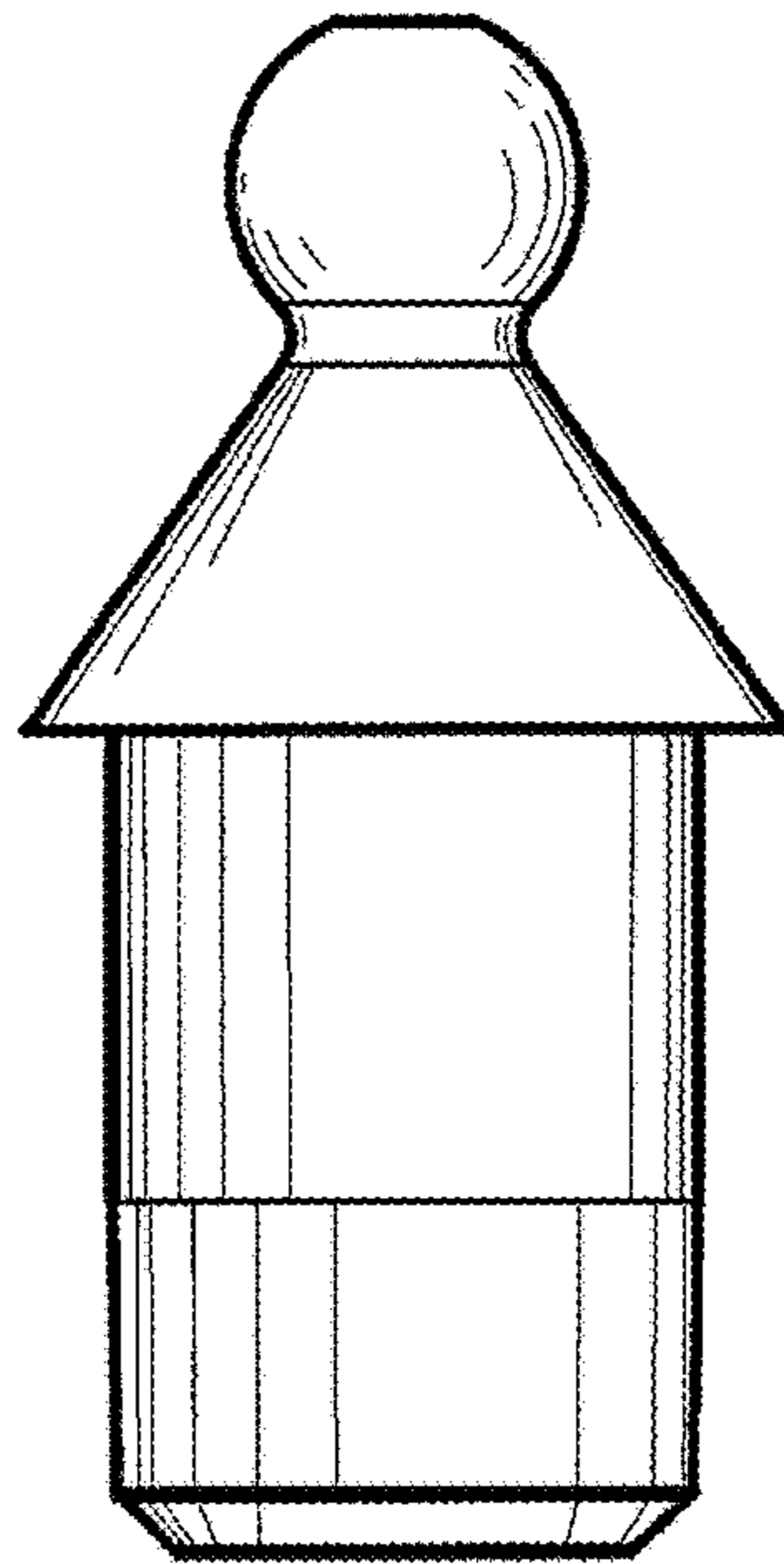


FIG. 9

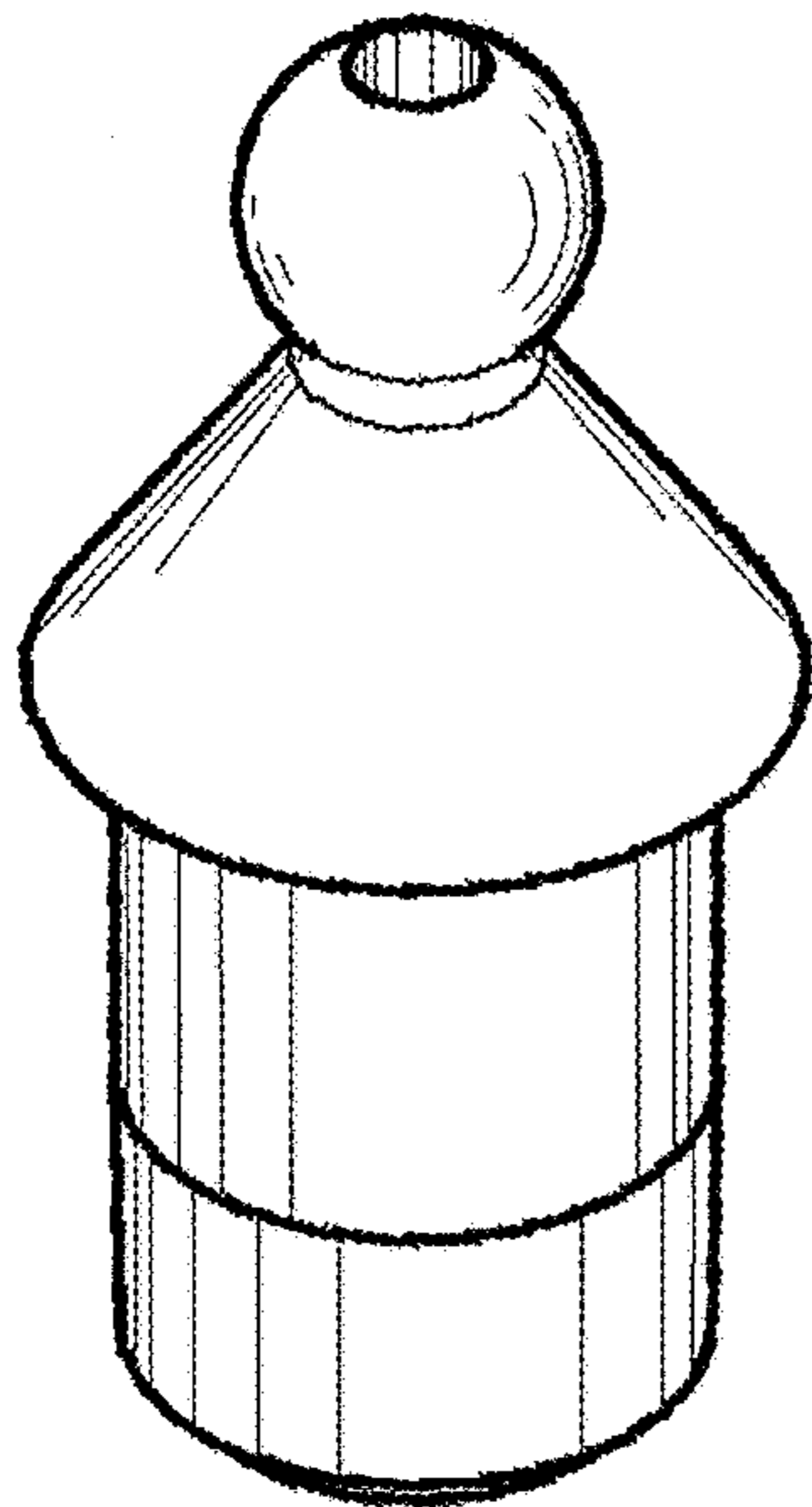


FIG. 10

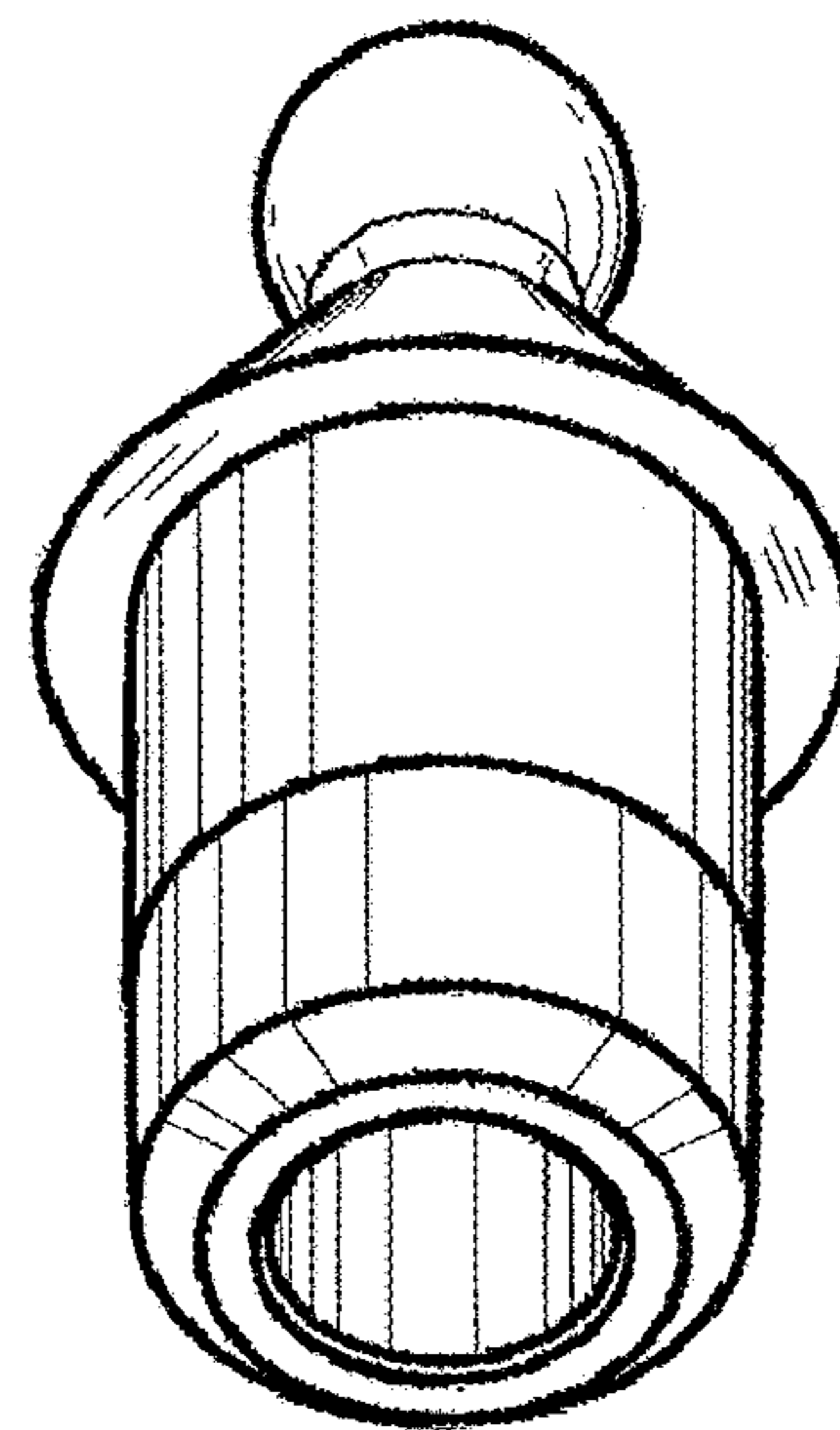


FIG. 11

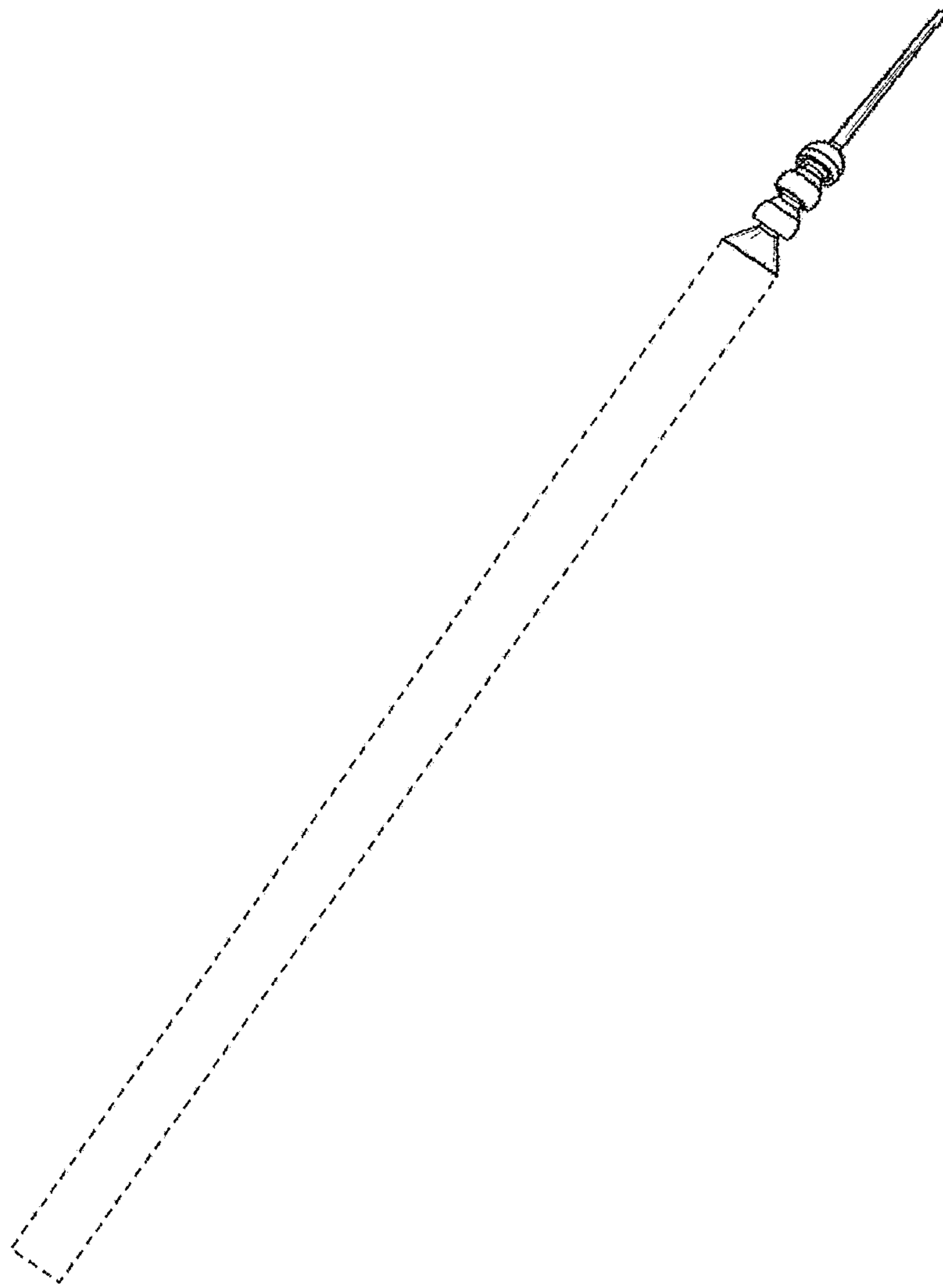


FIG. 12