



US00D787660S

(12) **United States Design Patent**
Mittelstadt et al.

(10) **Patent No.:** **US D787,660 S**
(45) **Date of Patent:** **** May 23, 2017**

(54) **RESPIRATOR MASK HAVING A FACE SEAL FLEXING REGION**

D177,058 S * 3/1956 Matheson D24/110.6
2,787,333 A 4/1957 Boone
2,823,671 A * 2/1958 Garelick 128/206.15
2,830,584 A * 4/1958 Hollmann et al. 128/207.12

(71) Applicant: **3M INNOVATIVE PROPERTIES COMPANY**, St. Paul, MN (US)

(Continued)

(72) Inventors: **William A. Mittelstadt**, Woodbury, MN (US); **David R. Stein**, White Bear Lake, MN (US); **Charlie Wood**, Minneapolis, MN (US)

FOREIGN PATENT DOCUMENTS

CA 82141 10/1997
CA 106801 12/2005

(Continued)

(73) Assignee: **3M Innovative Properties Company**, St. Paul, MN (US)

OTHER PUBLICATIONS

(**) Term: **14 Years**

Ekastu Safety Half Mask Polimask GAMMA/Silicon information obtained from internet on Mar. 25, 2014: http://www.ekastu.de/product_info.php/language/en/info/p18_Halbmaske-Polimask-GAMMA-Silikone.html/XTCsid/4b51b4a707af63184be8a64ba03b9117.

(Continued)

(21) Appl. No.: **29/491,546**

(22) Filed: **May 22, 2014**

(51) **LOC (10) Cl.** **29-02**

(52) **U.S. Cl.**
USPC **D24/110.1**

(58) **Field of Classification Search**
USPC D24/110-110.5; D29/106, 108
CPC A62B 18/02; A61M 16/0611; A61M 16/0447; A61M 16/0616; A61M 16/0622; A61M 16/06

See application file for complete search history.

Primary Examiner — Deanna L Pratt
Assistant Examiner — Lilyana Bekic

(57) **CLAIM**

The ornamental design for a respirator mask having a face seal flexing region, as shown and described.

DESCRIPTION

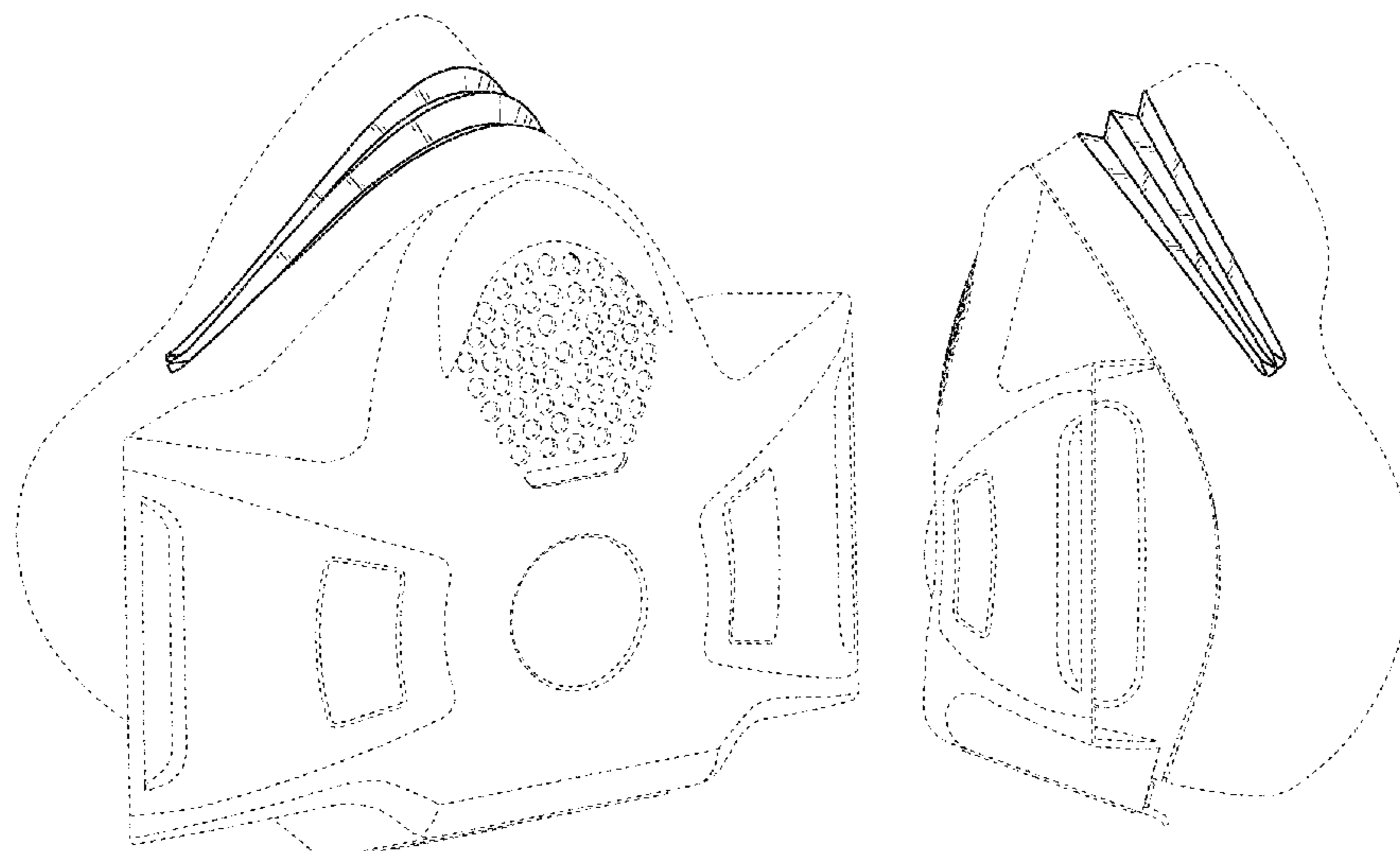
(56) **References Cited**

U.S. PATENT DOCUMENTS

2,053,896 A * 9/1936 Cover 128/206.17
2,055,853 A 9/1936 Schwartz
2,062,834 A 12/1936 Schwartz
2,065,775 A * 12/1936 Wahlert 55/382
2,130,555 A * 9/1938 Malcom 55/377
D118,241 S * 12/1939 Lehmborg D24/110.1
2,235,624 A 3/1941 Schwartz
2,376,871 A * 5/1945 Fink 128/201.19
2,378,929 A * 6/1945 Joyce 128/206.15
2,382,364 A * 8/1945 Yant 128/201.19
2,578,007 A * 12/1951 Hill 128/206.17
2,706,983 A * 4/1955 Matheson et al. 128/206.24

FIG. 1 is a perspective view showing the new design for a respirator mask having a face seal flexing region.
FIG. 2 is a front view thereof;
FIG. 3 is a rear view thereof;
FIG. 4 is a right side view thereof, the left side being a mirror image thereof;
FIG. 5 is a top view thereof; and,
FIG. 6 is a bottom view thereof.
broken lines in the drawing illustrate portions of the respirator mask having a face seal flexing region which form no part of the claimed design.

1 Claim, 3 Drawing Sheets



(56)

References Cited

U.S. PATENT DOCUMENTS

RE24,549 E * 10/1958 Haliczzer 128/206.19
 2,858,828 A 11/1958 Matheson
 2,874,693 A 2/1959 Matheson
 2,893,387 A * 7/1959 Gongoll et al. 128/206.15
 2,895,472 A * 7/1959 Matheson 128/206.15
 2,915,060 A * 12/1959 Miner 128/207.11
 2,964,038 A * 12/1960 Silverman 128/206.15
 2,999,498 A * 9/1961 Matheson 128/206.15
 3,029,812 A * 4/1962 Matheson 128/206.15
 3,037,501 A * 6/1962 Miller 128/206.29
 D195,612 S * 7/1963 Liloia D24/110.1
 3,220,409 A * 11/1965 Liloia et al. 128/206.19
 4,248,220 A * 2/1981 White 128/206.19
 D267,985 S * 2/1983 Huber D24/110.1
 4,562,837 A 1/1986 Schlobohm
 D286,213 S 10/1986 Maryyanek
 D294,410 S * 2/1988 Montesi D24/110.1
 4,739,755 A * 4/1988 White et al. 128/206.12
 D303,585 S * 9/1989 White et al. D24/110.4
 4,921,512 A 5/1990 Maryyanek
 4,932,399 A 6/1990 Cappa
 5,062,421 A 11/1991 Burns
 5,086,768 A 2/1992 Niemeyer
 5,148,803 A 9/1992 Schlobohm
 D339,658 S 9/1993 Lahteenmaki
 5,353,789 A * 10/1994 Schlobohm 128/206.24
 RE35,062 E 10/1995 Brostrom
 5,515,846 A 5/1996 Drews
 5,579,761 A 12/1996 Yuschak
 5,611,925 A 3/1997 Yasue
 5,647,356 A 7/1997 Osendorf
 5,666,949 A 9/1997 Debe
 5,669,375 A 9/1997 Dahrendorf
 6,016,804 A 1/2000 Gleason
 6,216,693 B1 4/2001 Rekow
 6,298,849 B1 10/2001 Scholey
 D464,726 S * 10/2002 Wolfe D24/110.1
 6,474,336 B1 * 11/2002 Wolfe 128/206.21
 D471,627 S * 3/2003 Mittelstadt et al. D24/110.1
 6,550,479 B1 4/2003 Duxbury
 6,575,165 B1 6/2003 Cook
 6,712,072 B1 3/2004 Lang
 6,761,169 B2 7/2004 Eswarappa
 6,793,702 B2 9/2004 Eswarappa
 6,851,428 B2 * 2/2005 Dennis 128/205.25
 6,886,559 B2 5/2005 McDonald
 D518,571 S 4/2006 Martin
 D519,208 S * 4/2006 Wolfe D24/110.2
 7,036,507 B2 * 5/2006 Jensen 128/206.19
 7,059,326 B2 6/2006 Heidmann
 7,121,279 B2 10/2006 Dennis
 7,171,966 B2 2/2007 Schrader
 7,353,826 B2 4/2008 Sleeper
 7,419,526 B2 9/2008 Greer
 7,762,258 B2 7/2010 Zollinger
 7,827,990 B1 11/2010 Melidis
 D630,315 S * 1/2011 Masters D24/110.1
 8,066,006 B2 11/2011 Daugaard
 8,118,026 B2 2/2012 Gebrewold
 D659,822 S * 5/2012 Matula et al. D24/110.1
 D659,823 S * 5/2012 Matula et al. D24/110.1
 8,176,918 B2 5/2012 Teng
 8,267,088 B2 9/2012 Steindorf
 8,342,180 B2 1/2013 Martin
 D677,779 S * 3/2013 Turdjian et al. D24/110.1
 D678,508 S 3/2013 Choi
 D680,215 S * 4/2013 Campbell D24/110.1
 D683,446 S 5/2013 Eves
 D685,085 S * 6/2013 Amirav et al. D24/110.1
 D686,725 S * 7/2013 Amirav et al. D24/110.1
 D687,142 S * 7/2013 Rothermel D24/110.4
 8,550,084 B2 10/2013 Ng
 D693,462 S * 11/2013 Rothermel et al. D24/110.4
 8,631,792 B2 1/2014 Ho
 D700,317 S * 2/2014 Turdjian et al. D24/110.1

D703,808 S * 4/2014 Bowsher D24/110.4
 8,720,443 B2 5/2014 Kooij
 D717,942 S * 11/2014 Neff et al. D24/127
 D717,945 S * 11/2014 Neff et al. D24/127
 D720,846 S * 1/2015 Bowsher D24/110.4
 D740,932 S * 10/2015 Mittelstadt D24/110.1
 D775,323 S * 12/2016 Bowsher D24/110.4
 D776,258 S * 1/2017 Mittelstadt D24/110.1
 2001/0013347 A1 8/2001 Rekow
 2002/0195109 A1 12/2002 Mittelstadt
 2003/0217752 A1 11/2003 Muller
 2004/0003810 A1 1/2004 Templeton
 2005/0126572 A1 6/2005 Gosweiler
 2007/0272169 A1 11/2007 Barney
 2009/0078264 A1 3/2009 Martin
 2009/0139526 A1 6/2009 Melidis
 2009/0188506 A1 7/2009 Duke
 2009/0217926 A1 9/2009 Hine
 2010/0313891 A1 12/2010 Veliss
 2011/0290253 A1 12/2011 McAuley
 2012/0000465 A1 1/2012 Cavaliere
 2012/0024289 A1 2/2012 Johnstone
 2012/0060843 A1 * 3/2012 Magidson A41D 13/1115
 128/206.19
 2012/0174922 A1 7/2012 Virr
 2012/0218265 A1 8/2012 Wakayama
 2012/0234326 A1 9/2012 Mazzone
 2013/0133664 A1 5/2013 Startare

FOREIGN PATENT DOCUMENTS

CN 3342471 12/2003
 CN 3457902 6/2005
 CN 3674586 7/2007
 CN 300757753 3/2008
 CN 300801845 7/2008
 CN 301345091 9/2010
 CN 301787238 1/2012
 CN 301841897 2/2012
 CN 301863214 3/2012
 CN 302193139 11/2012
 CN 302193145 11/2012
 CN 302386273 4/2013
 CN 302571626 9/2013
 CN 302675143 12/2013
 CN 302754689 3/2014
 DE M9107635-0001 6/1992
 DE 29700093 3/1997
 EM 000096961-0001 2/2004
 EM 000455506-0001 12/2005
 EM 000474234-001 3/2006
 EM 001233373-0002 10/2010
 EM 001233373-0003 10/2010
 EM 001862939-0001 5/2011
 EM 001871401-0001 8/2011
 EM 001871401-0003 8/2011
 EM 001871401-0004 8/2011
 EM 001871401-0005 8/2011
 EM 001352645-0001 12/2012
 EM 001352645-0002 12/2012
 EM 001355259-0001 1/2013
 EM 001355259-0002 1/2013
 EM 001378673-0001 8/2013
 EM 001401335-0001 1/2014
 EM 001401335-0002 1/2014
 EM 001401335-0003 1/2014
 EM 001401335-0004 1/2014
 EM 001401335-0005 1/2014
 EM 001401335-0006 1/2014
 EM 001405609-0001 3/2014
 EM 001405609-0002 3/2014
 EM 001405609-0003 3/2014
 EM 001405609-0004 3/2014
 EP 1582231 10/2005
 FR 916655-001 12/1991
 FR 972590-001 9/1997
 GB 2078022 2/1999
 GB 2490507 11/2012
 JP D1253605 10/2005

(56)

References Cited

FOREIGN PATENT DOCUMENTS

JP	D1334600	6/2008
JP	D1423131	9/2011
JP	D1424448	10/2011
JP	D1433068	2/2012
JP	D1489843	2/2014
KR	300365183.0000	10/2004
KR	300387985.0000	7/2005
KR	300402015.0000	12/2005
KR	10-0773460	11/2007
KR	300484303.0000	3/2008
KR	300497704.0000	7/2008
KR	300505691.0000	9/2008
KR	300514863.0000	12/2008
KR	300516185.0000	1/2009
KR	300526158.0000	4/2009
KR	300542031.0000	10/2009
KR	300563142.0000	6/2010
KR	300649412.0000	6/2012
KR	300649413.0000	6/2012
KR	300662871.0000	10/2012
KR	300683043.0000	3/2013
KR	300683052.0000	3/2013
KR	300683069.0000	3/2013
KR	300684091.0000	3/2013
KR	300726258.0000	1/2014
KR	300726303.0000	1/2014
RU	00063184	6/2007
WO	WO 03/090873	11/2003
WO	WO 2004/071565	8/2004
WO	WO 2008/082415	7/2008
WO	WO 2009/038857	3/2009
WO	WO 2012/140514	10/2012

OTHER PUBLICATIONS

Koken Particulate Respirators webpage, <http://www.koken-ltd.co.jp/english/particulatesrespirators.htm>, obtained from internet on Jun. 3, 2013.

3M™ Cool Flow™ Valve information obtained from the internet on Mar. 18, 2014: http://solutions.3m.com/wps/portal/3M/en_EU/PPE_SafetySolutions_EU/Safety/FeaturedProducts/CoolFlowValve/.

3M™ FF400 Respirator information obtained from the internet on Mar. 17, 2014: http://solutions.3m.com/wps/portal/3M/en_US/3M-PPE-Safety-Solutions/Personal-Protective-Equipment/safety-products/Ultimate-FX/.

3M™ Maintenance Free Half Mask Respirators 4000 Series information obtained from the internet on Mar. 18, 2014: http://solutions.3m.com/wps/portal/3M/en_EU/PPE_SafetySolutions_EU/Safety/Product_Catalogue/?N=5548558+3294361848+3294857473&rt=rud.

3M™ 6000 Respirator information obtained from the internet on Mar. 18, 2014: http://solutions.3m.com/wps/portal/3M/en_US/GlobalMining/Home/Products/WorkerSafety/?PC_Z7_RJH9U5230GM530IQDGUMOE3O51000000_nid=2TX60V5VQPbeKXCTK5DQ71gl.

3M™ Half Facepiece 7500 Series Ultimate Reusable Respirator information obtained from the internet on Mar. 18, 2014: http://solutions.3m.com/wps/portal/3M/en_US/ElectricalUtility/Home/Products/Catalog/~?N=5551730&rt=c3.

3M™ Full Facepiece Reusable Respirator 6800 information obtained from the internet on Mar. 18, 2014: [http://solutions.3m.com/wps/portal/3M/en_US/3M-PPE-Safety-Solutions/Personal-Protective-Equipment/Products/Product-Catalog/?N=4294930437+5011378&Nr=AND\(hrcy_id%3AGST29W6QVWgs_TC2BMJQKFQ_N2RL3FHWVK_GPD0K8BC31gv\)&rt=d](http://solutions.3m.com/wps/portal/3M/en_US/3M-PPE-Safety-Solutions/Personal-Protective-Equipment/Products/Product-Catalog/?N=4294930437+5011378&Nr=AND(hrcy_id%3AGST29W6QVWgs_TC2BMJQKFQ_N2RL3FHWVK_GPD0K8BC31gv)&rt=d).

Koken Model 1091D Respirator information obtained from the internet on Mar. 17, 2014: <http://www.koken-ltd.co.jp/english/particulatesrespirators.htm>.

MSA Ultra Elite® Full-Facepiece Respirator information obtained from the internet on Mar. 18, 2014: [http://us.msasafety.com/Air-Purifying-Respirators-\(APR\)/Full-Face-Masks/Ultra-Elite%26reg%3B-Full-Facepiece-Respirators/p/000050000500001084](http://us.msasafety.com/Air-Purifying-Respirators-(APR)/Full-Face-Masks/Ultra-Elite%26reg%3B-Full-Facepiece-Respirators/p/000050000500001084).

MSA Advantage® 420 Half-Mask Respirator information obtained from the internet on Mar. 18, 2014: [http://us.msasafety.com/Air-Purifying-Respirators-\(APR\)/Half-Masks/Advantage%26reg%3B-420-Half-Mask-Respirator/p/000100000200001150](http://us.msasafety.com/Air-Purifying-Respirators-(APR)/Half-Masks/Advantage%26reg%3B-420-Half-Mask-Respirator/p/000100000200001150).

North® by Honeywell 7700 Series Silicone Half Mask Respirator information obtained from the internet on Mar. 18, 2014: <http://www.northernsafety.com/Product/7700/North-by-Honeywell-7700-Series-Silicone-Half-Mask-Respirator>.

Scott AV-3000 Facepiece information obtained from the internet on Mar. 18, 2014: <https://www.scottsafety.com/en/us/pages/ProductDetail.aspx?ProductDetail=AV-3000%20Facepiece>.

Scott Excel™ Half-Facepiece information obtained from the internet on Mar. 18, 2014: https://www.scottsafety.com/en/us/DocumentandMedia1/xcelbro_6301_0201.pdf.

Shigematsu Gas Respirators information, pp. 11-16, obtained from Shigematsu's website on Mar. 17, 2014: http://www.sts-japan.com/english/product_catalog.html.

Survivair Blue 1 respirator information obtained from the internet on Mar. 17, 2014, [http://www.honeywellsafety.com/Products/Respiratory_Protection/Survivair_Blue_1_\(NIOSH\).aspx?site=/usa](http://www.honeywellsafety.com/Products/Respiratory_Protection/Survivair_Blue_1_(NIOSH).aspx?site=/usa).

Survivair/Willson Premier Plus Respirator information obtained from the internet on Mar. 18, 2014: <http://store.parkersafetyinc.com/servlet/Detail?no=75>.

* cited by examiner

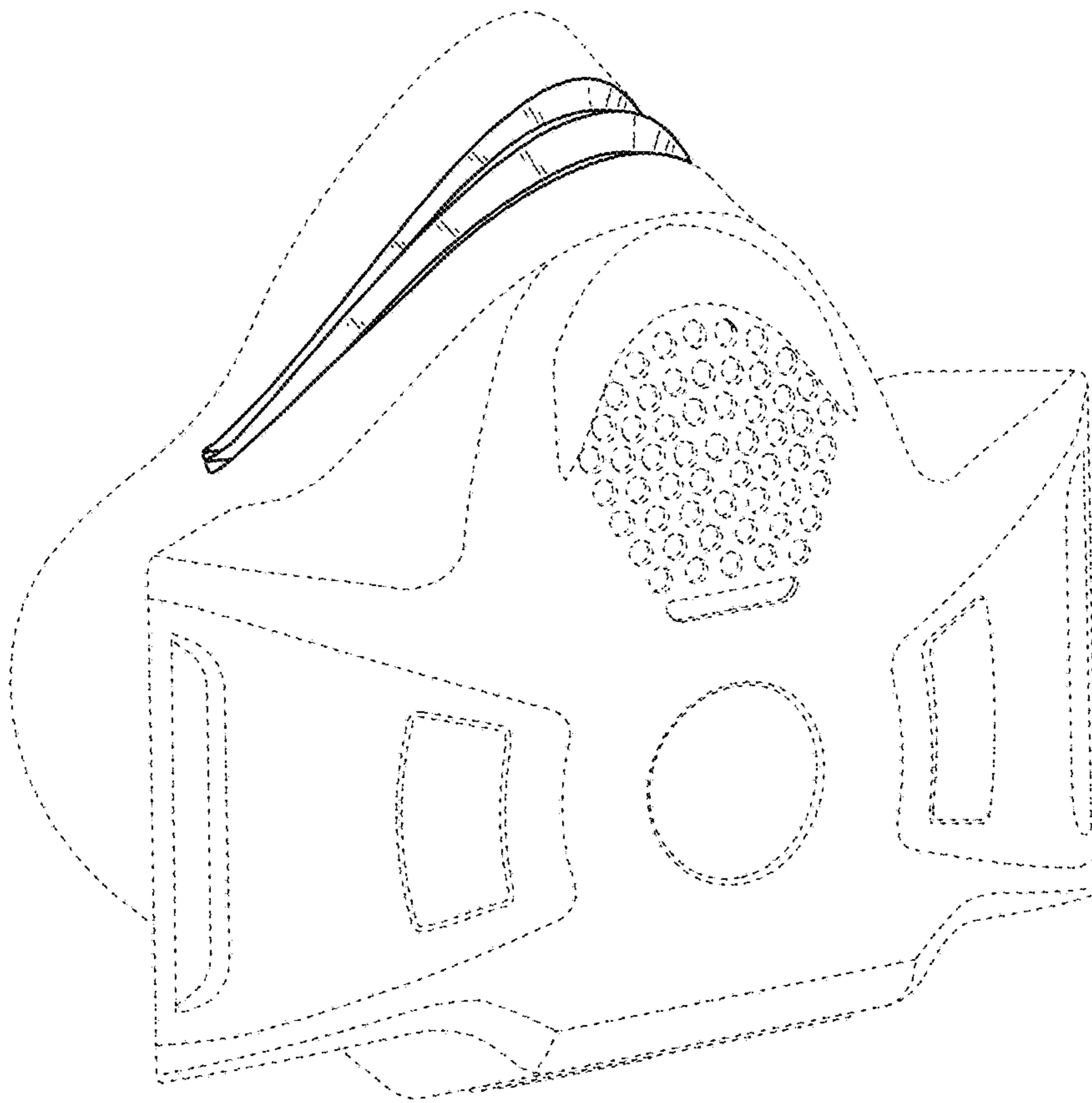


Fig. 1

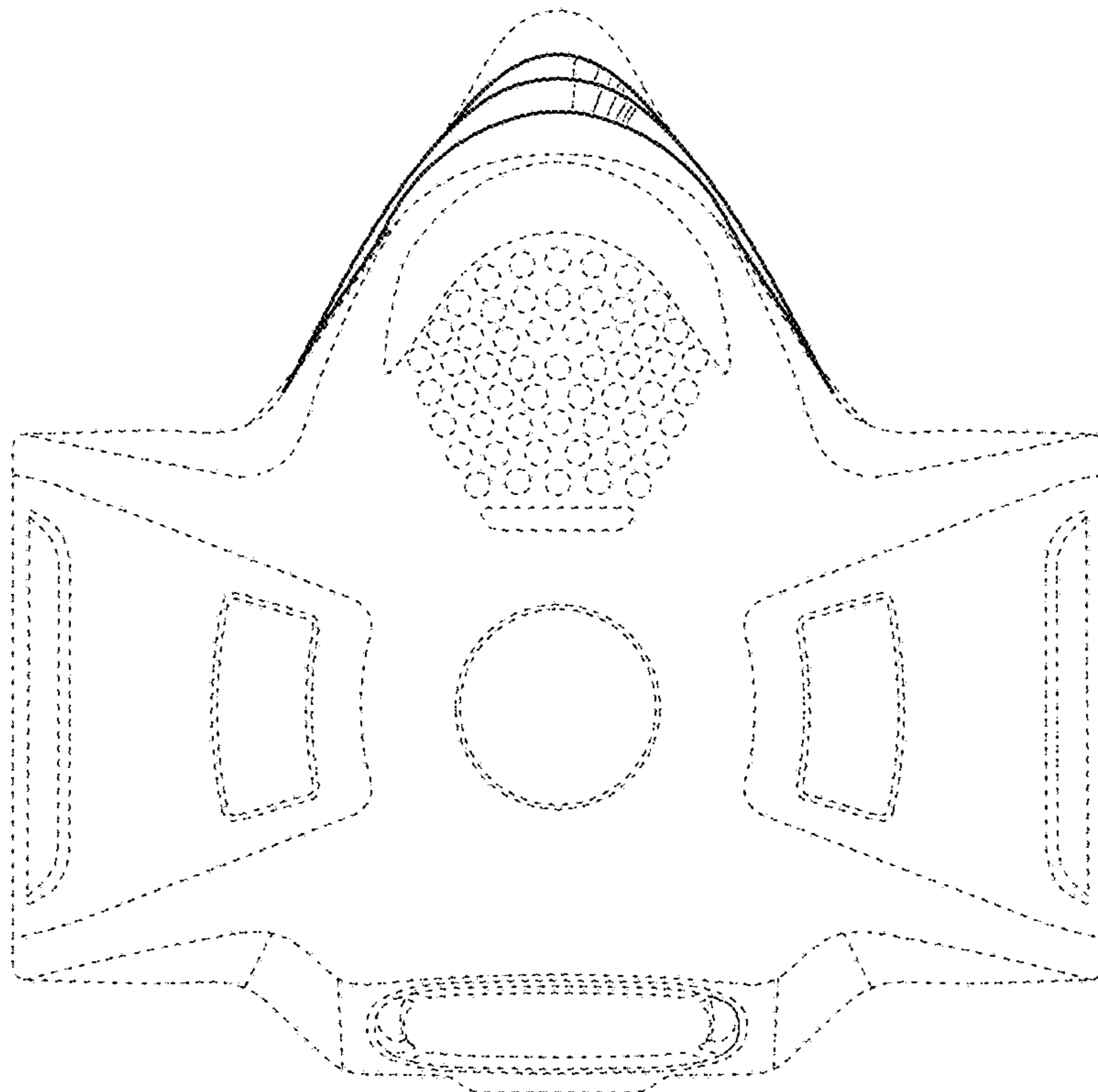


Fig. 2

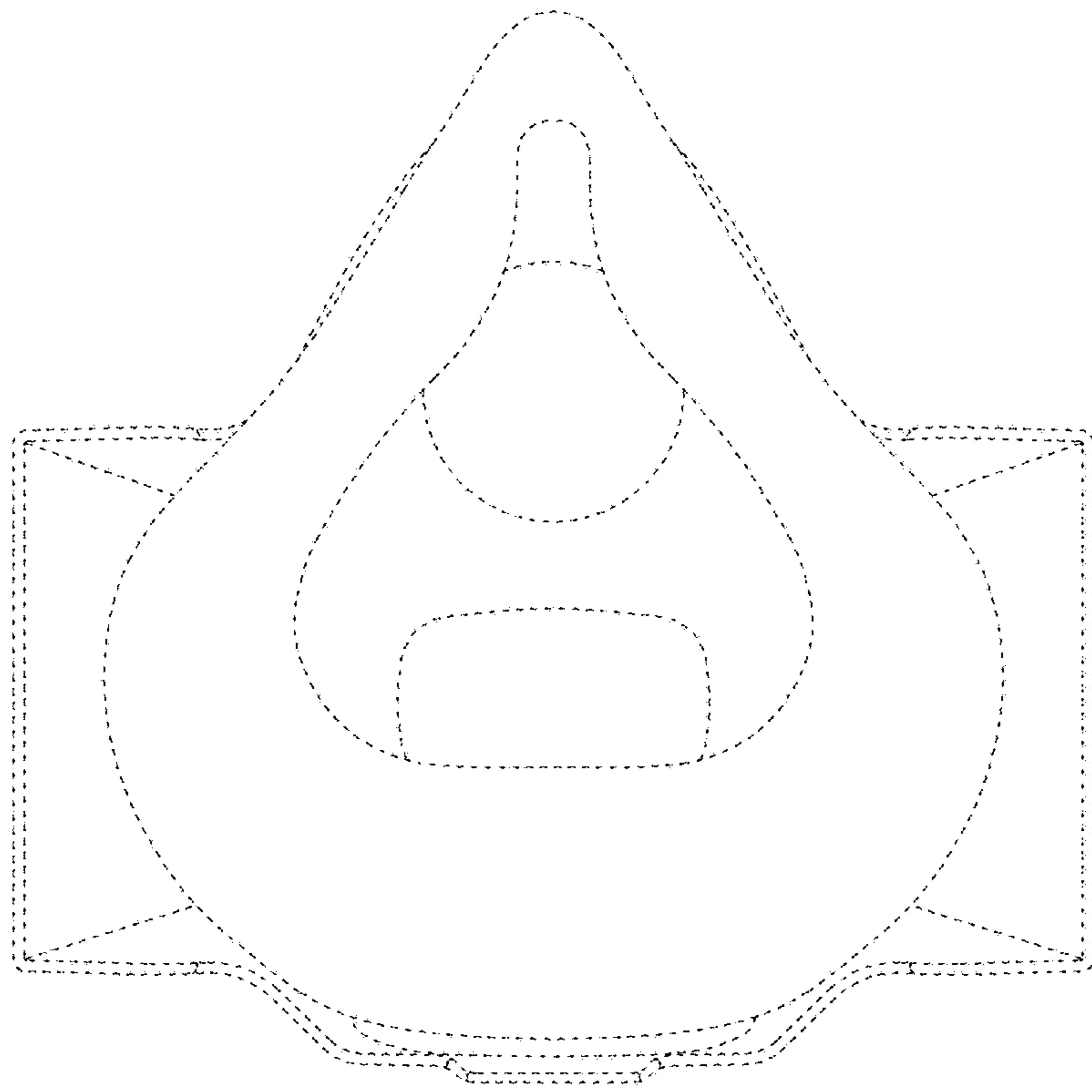


Fig. 3

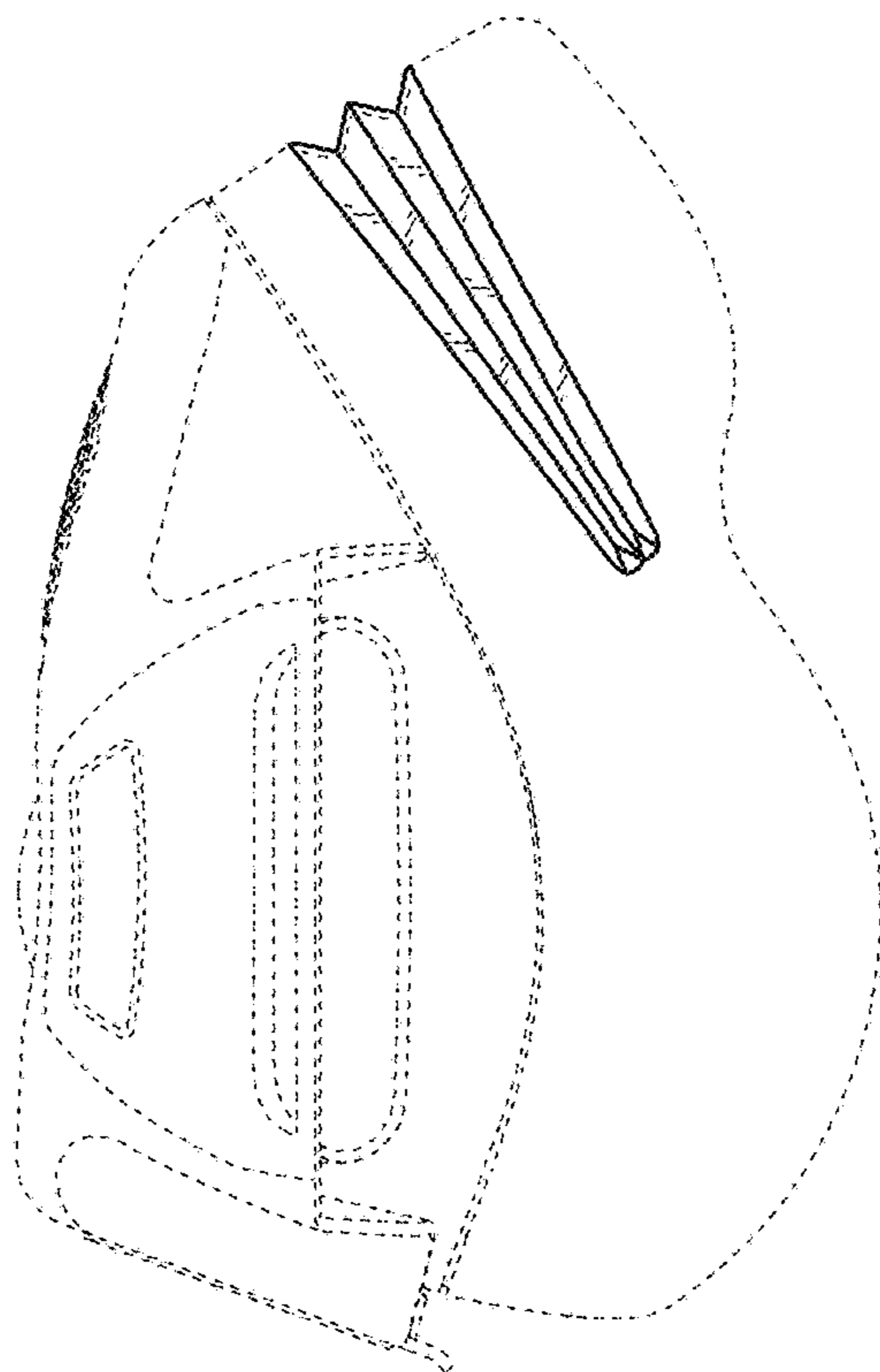


Fig. 4

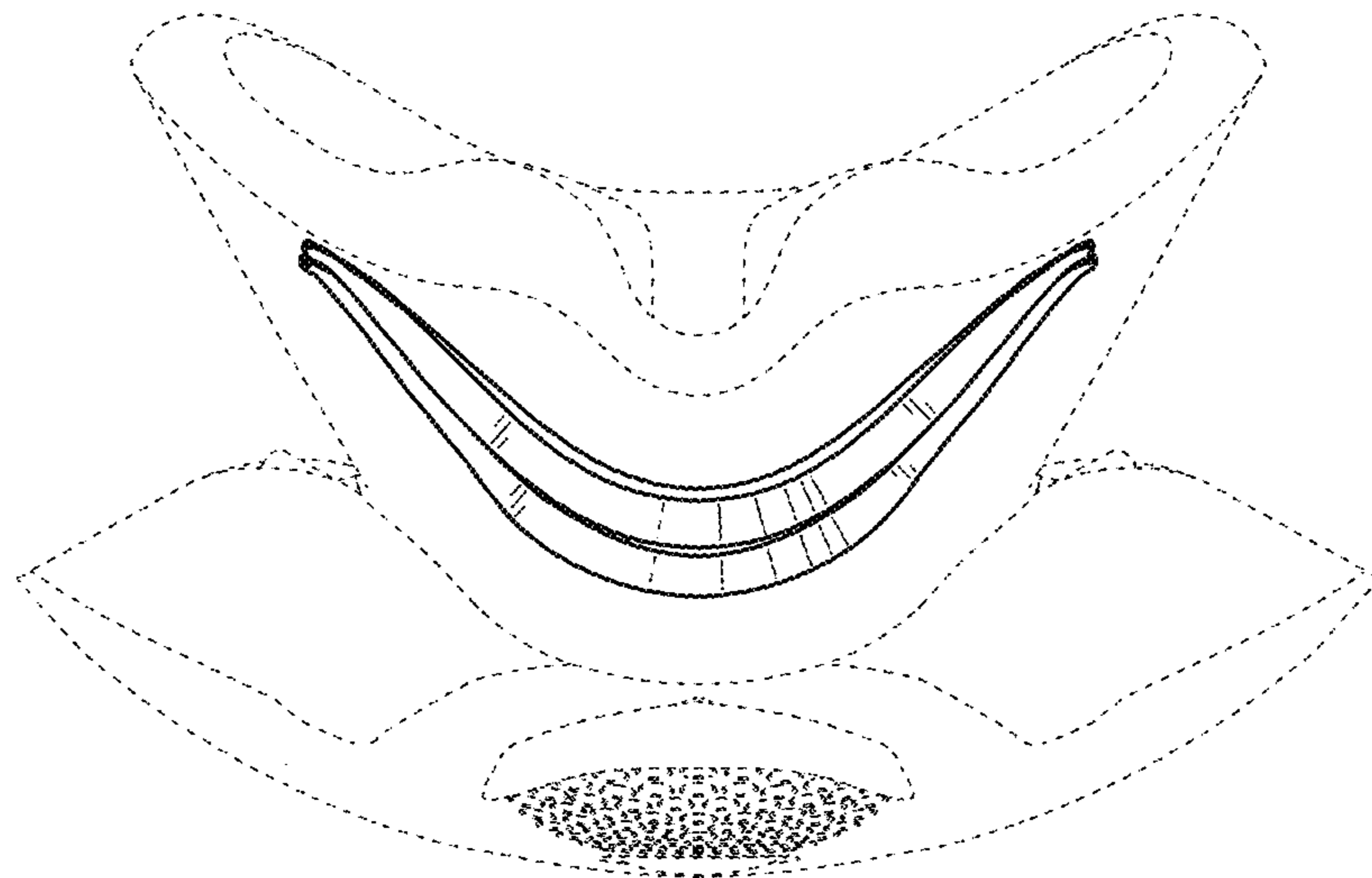


Fig. 5

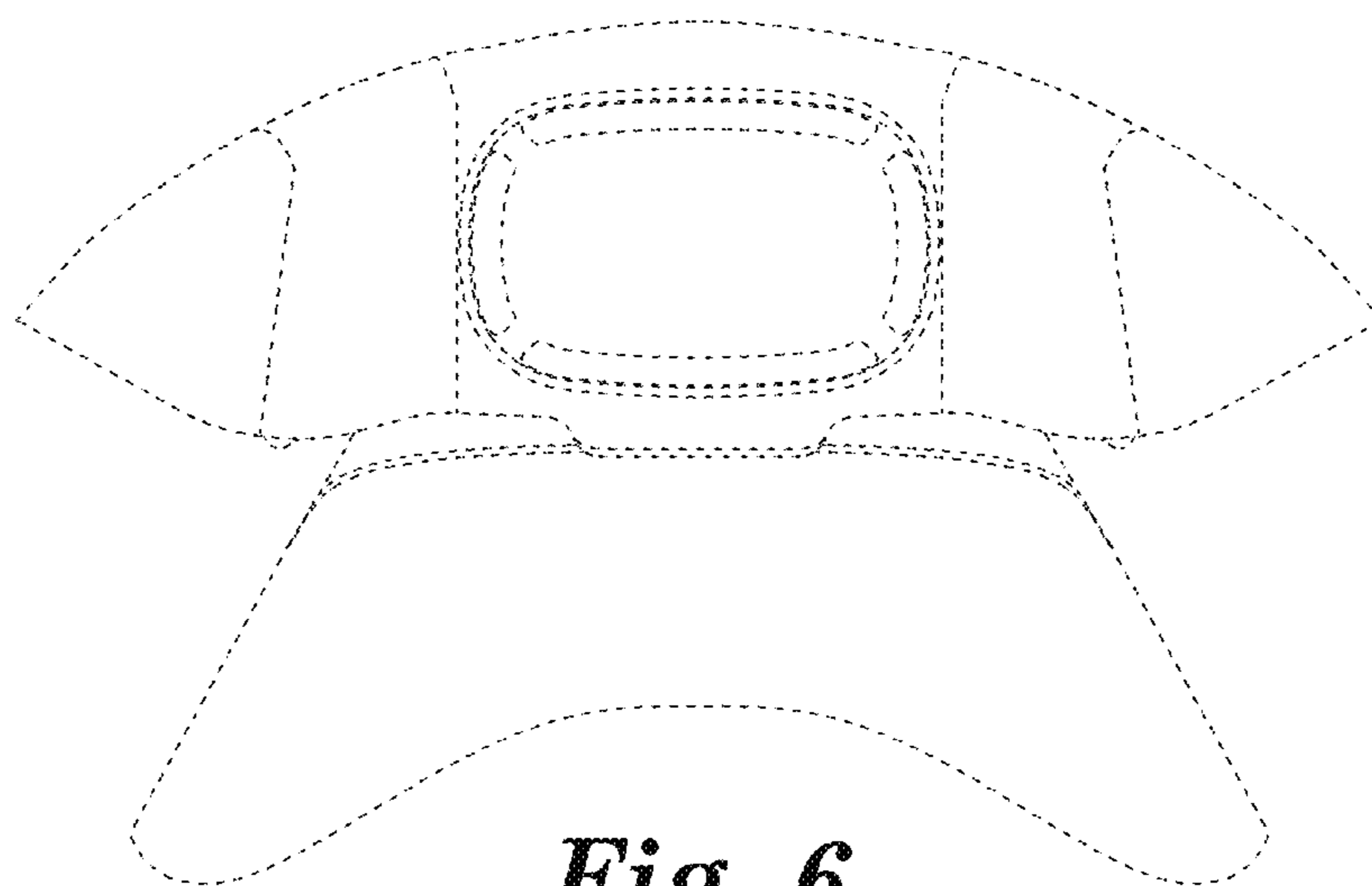


Fig. 6

UNITED STATES PATENT AND TRADEMARK OFFICE
CERTIFICATE OF CORRECTION

PATENT NO. : D787,660 S
APPLICATION NO. : 29/491546
DATED : May 23, 2017
INVENTOR(S) : William A. Mittelstadt et al.

Page 1 of 1

It is certified that error appears in the above-identified patent and that said Letters Patent is hereby corrected as shown below:

On the Title Page

Description

Line 2, delete "region." and insert -- region; --, therefor.

Line 9, before "broken" insert -- The --.

Signed and Sealed this
Fourth Day of July, 2017



Joseph Matal
*Performing the Functions and Duties of the
Under Secretary of Commerce for Intellectual Property and
Director of the United States Patent and Trademark Office*