



US00D787659S

(12) **United States Design Patent**  
**Mittelstadt**

(10) **Patent No.:** **US D787,659 S**

(45) **Date of Patent:** **\*\* May 23, 2017**

(54) **RESPIRATOR WITH FACE SEAL FLEXING REGION**

2,893,387 A \* 7/1959 Gongoll et al. .... 128/206.15  
2,895,472 A \* 7/1959 Matheson ..... 128/206.15  
2,915,060 A \* 12/1959 Miner ..... 128/207.11

(Continued)

(71) Applicant: **3M INNOVATIVE PROPERTIES COMPANY**, St. Paul, MN (US)

FOREIGN PATENT DOCUMENTS

(72) Inventor: **William A. Mittelstadt**, Woodbury, MN (US)

DE 29700093 3/1997  
EM 000455506-0001 12/2005

(Continued)

(73) Assignee: **3M Innovative Properties Company**, St. Paul, MN (US)

OTHER PUBLICATIONS

(\*\*) Term: **14 Years**

Ekastu Safety Half Mask Polimask GAMMA/Silicon information obtained from internet on Mar. 25, 2014: [http://www.ekastu.de/product\\_info.php/language/en/info/p18\\_Halbmaske-Polimask-GAMMA-Silikone.html/XTCsid/4b51b4a707af63184be8a64ba03b9117](http://www.ekastu.de/product_info.php/language/en/info/p18_Halbmaske-Polimask-GAMMA-Silikone.html/XTCsid/4b51b4a707af63184be8a64ba03b9117).

(21) Appl. No.: **29/467,798**

*Primary Examiner* — Deanna L Pratt  
*Assistant Examiner* — Lilyana Bekic

(22) Filed: **Sep. 24, 2013**

(51) **LOC (10) Cl.** ..... **29-02**

(52) **U.S. Cl.**  
USPC ..... **D24/110.1**

(58) **Field of Classification Search**  
USPC ..... D24/110–110.5; D29/106, 108  
CPC ..... A62B 18/02; A61M 16/0611; A61M 16/0447; A61M 16/0616; A61M 16/0622; A61M 16/06

(57) **CLAIM**

The ornamental design for a respirator with face seal flexing region, as shown and described.

See application file for complete search history.

**DESCRIPTION**

(56) **References Cited**

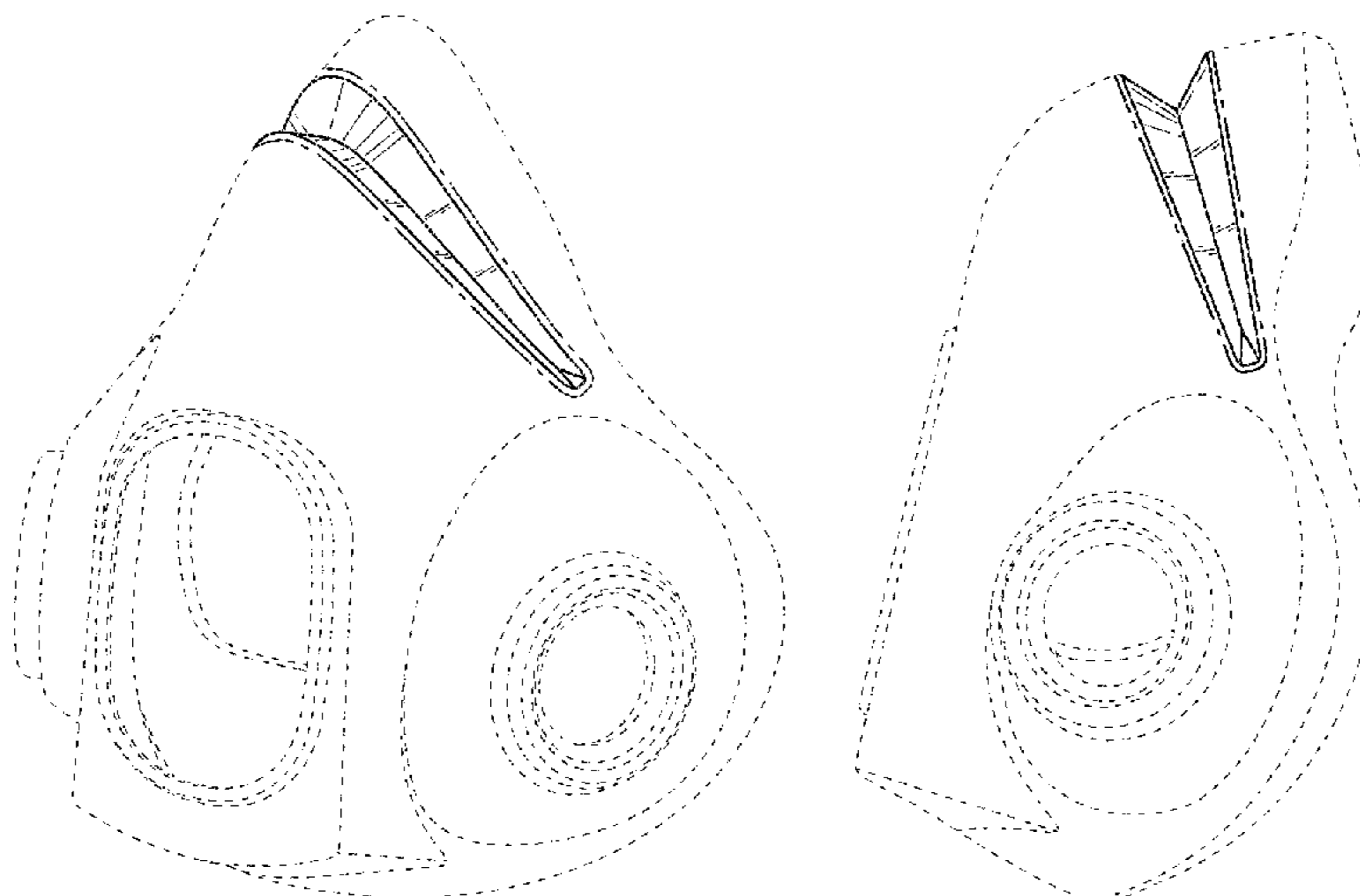
U.S. PATENT DOCUMENTS

2,053,896 A \* 9/1936 Cover ..... 128/206.17  
2,065,775 A \* 12/1936 Wahlert ..... 55/382  
2,130,555 A \* 9/1938 Malcom ..... 55/377  
D118,241 S \* 12/1939 Lehmsberg ..... D24/110.1  
2,376,871 A \* 5/1945 Fink ..... 128/201.19  
2,378,929 A \* 6/1945 Joyce ..... 128/206.15  
2,382,364 A \* 8/1945 Yant ..... 128/201.19  
2,578,007 A \* 12/1951 Hill ..... 128/206.17  
2,706,983 A \* 4/1955 Matheson et al. .... 128/206.24  
D177,058 S \* 3/1956 Matheson ..... D24/110.6  
2,823,671 A \* 2/1958 Garelick ..... 128/206.15  
2,830,584 A \* 4/1958 Hollmann et al. .... 128/207.12  
RE24,549 E \* 10/1958 Haliczzer ..... 128/206.19  
2,858,828 A 11/1958 Matheson  
2,874,693 A 2/1959 Matheson

FIG. 1 is a front perspective view of a new design for a respirator with face seal flexing region.  
FIG. 2 is a front view thereof;  
FIG. 3 is a back view thereof;  
FIG. 4 is a right view thereof, the left view being a mirror image thereof;  
FIG. 5 is a top view thereof; and,  
FIG. 6 is a bottom view thereof.

The broken lines in the drawings illustrate portions of the respirator with face seal flexing region which form no part of the claimed design. The dot-dash broken lines immediately adjacent the solid lines represent a boundary between claimed and unclaimed subject matter and form no part of the claimed design.

**1 Claim, 3 Drawing Sheets**



(56)

References Cited

U.S. PATENT DOCUMENTS

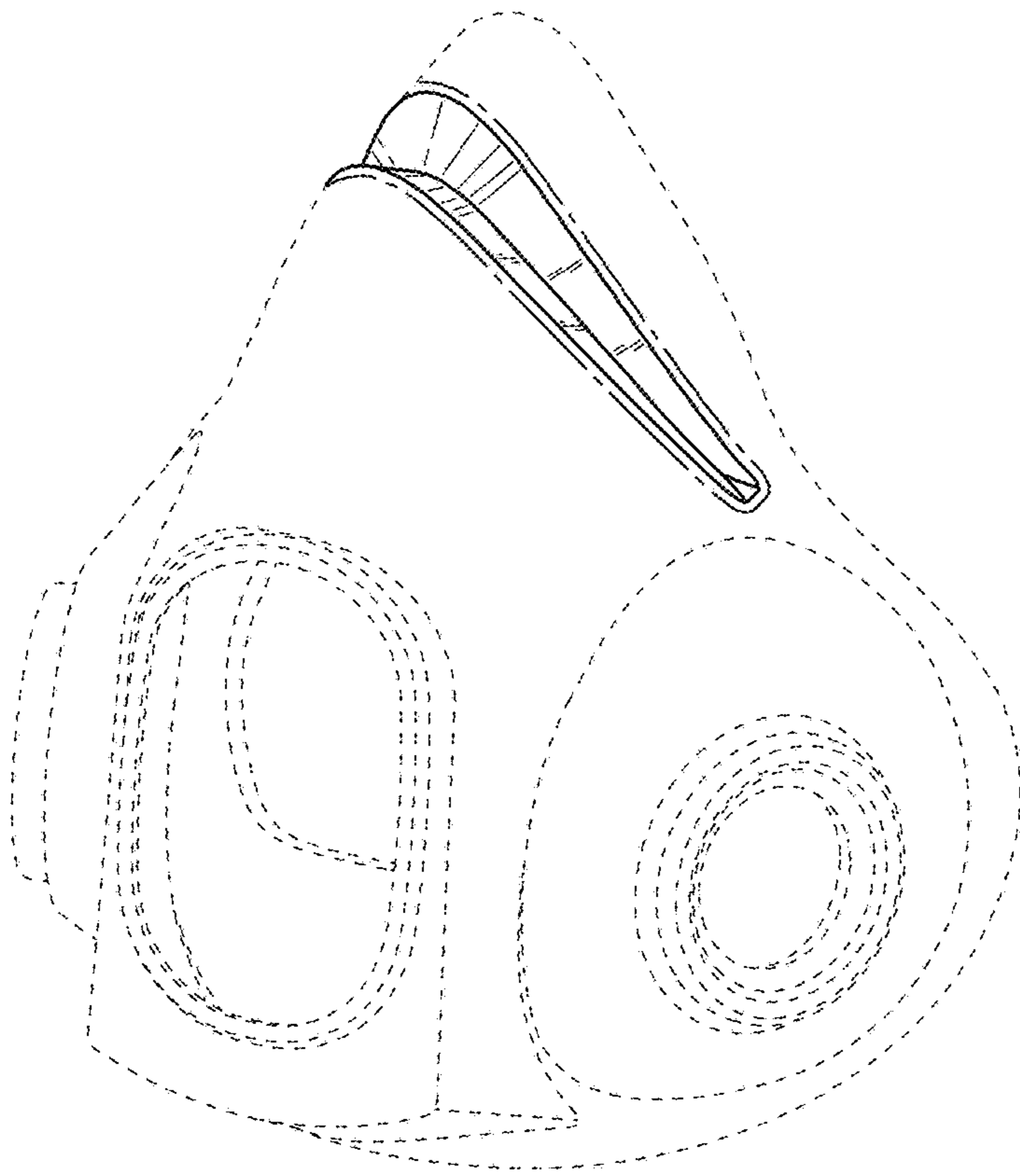
2,964,038 A \* 12/1960 Silverman ..... 128/206.15  
 2,999,498 A \* 9/1961 Matheson ..... 128/206.15  
 3,029,812 A \* 4/1962 Matheson ..... 128/206.15  
 3,037,501 A \* 6/1962 Miller ..... 128/206.29  
 D195,612 S \* 7/1963 Liloia ..... D24/110.1  
 3,220,409 A \* 11/1965 Liloia et al. .... 128/206.19  
 4,248,220 A \* 2/1981 White ..... 128/206.19  
 D267,985 S \* 2/1983 Huber ..... D24/110.1  
 D294,410 S \* 2/1988 Montesi ..... D24/110.1  
 4,739,755 A \* 4/1988 White et al. .... 128/206.12  
 D303,585 S \* 9/1989 White et al. .... D24/110.4  
 D339,658 S \* 9/1993 Lahteenmaki et al. ... D24/110.1  
 5,353,789 A \* 10/1994 Schlobohm ..... 128/206.24  
 D464,726 S \* 10/2002 Wolfe ..... D24/110.1  
 6,474,336 B1 \* 11/2002 Wolfe ..... 128/206.21  
 D471,627 S \* 3/2003 Mittelstadt et al. .... D24/110.1  
 D519,208 S \* 4/2006 Wolfe ..... D24/110.2  
 7,036,507 B2 \* 5/2006 Jensen ..... 128/206.19  
 7,121,279 B2 10/2006 Dennis  
 7,171,966 B2 2/2007 Schrader  
 7,827,990 B1 11/2010 Melidis  
 D630,315 S \* 1/2011 Masters ..... D24/110.1  
 8,118,026 B2 2/2012 Gebrewold  
 D659,822 S \* 5/2012 Matula et al. .... D24/110.1  
 D659,823 S \* 5/2012 Matula et al. .... D24/110.1  
 8,342,180 B2 1/2013 Martin  
 D677,779 S \* 3/2013 Turdjian et al. .... D24/110.1  
 D680,215 S \* 4/2013 Campbell ..... D24/110.1  
 D685,085 S \* 6/2013 Amirav et al. .... D24/110.1

D686,725 S \* 7/2013 Amirav et al. .... D24/110.1  
 D687,142 S \* 7/2013 Rothermel ..... D24/110.4  
 D693,462 S \* 11/2013 Rothermel et al. .... D24/110.4  
 D700,317 S \* 2/2014 Turdjian et al. .... D24/110.1  
 D703,808 S \* 4/2014 Bowsher ..... D24/110.4  
 D717,942 S \* 11/2014 Neff et al. .... D24/127  
 D717,945 S \* 11/2014 Neff et al. .... D24/127  
 D720,846 S \* 1/2015 Bowsher ..... D24/110.4  
 D740,932 S \* 10/2015 Mittelstadt ..... D24/110.1  
 D775,323 S \* 12/2016 Bowsher ..... D24/110.4  
 D776,258 S \* 1/2017 Mittelstadt ..... D24/110.1  
 2003/0127101 A1 \* 7/2003 Dennis ..... 128/206.21  
 2007/0272169 A1 11/2007 Barney  
 2009/0000623 A1 \* 1/2009 Lynch et al. .... 128/206.24  
 2009/0078264 A1 3/2009 Martin  
 2009/0139526 A1 \* 6/2009 Melidis et al. .... 128/206.26  
 2012/0060843 A1 \* 3/2012 Magidson et al. .... 128/206.19  
 2012/0080035 A1 \* 4/2012 Guney et al. .... 128/205.25  
 2013/0133664 A1 \* 5/2013 Startare et al. .... 128/206.24  
 2014/0290663 A1 \* 10/2014 Rothermel ..... 128/206.24  
 2014/0305433 A1 \* 10/2014 Rothermel ..... 128/202.27  
 2014/0311496 A1 \* 10/2014 Rothermel ..... 128/206.24

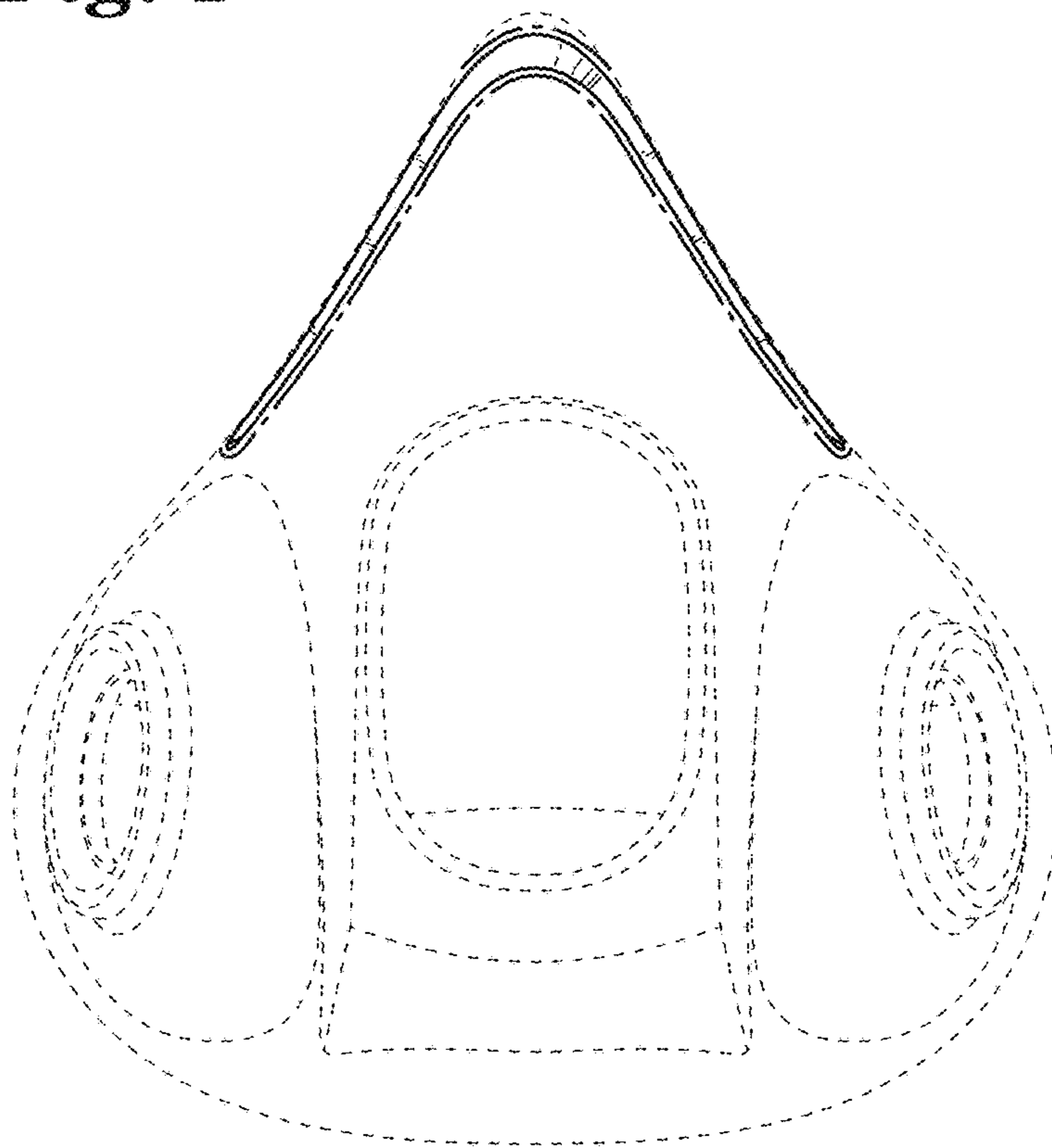
FOREIGN PATENT DOCUMENTS

EP 1582231 10/2005  
 GB 2490507 11/2012  
 WO WO 2004/071565 8/2004  
 WO WO 2009/038857 3/2009  
 WO WO 2012/140514 10/2012

\* cited by examiner

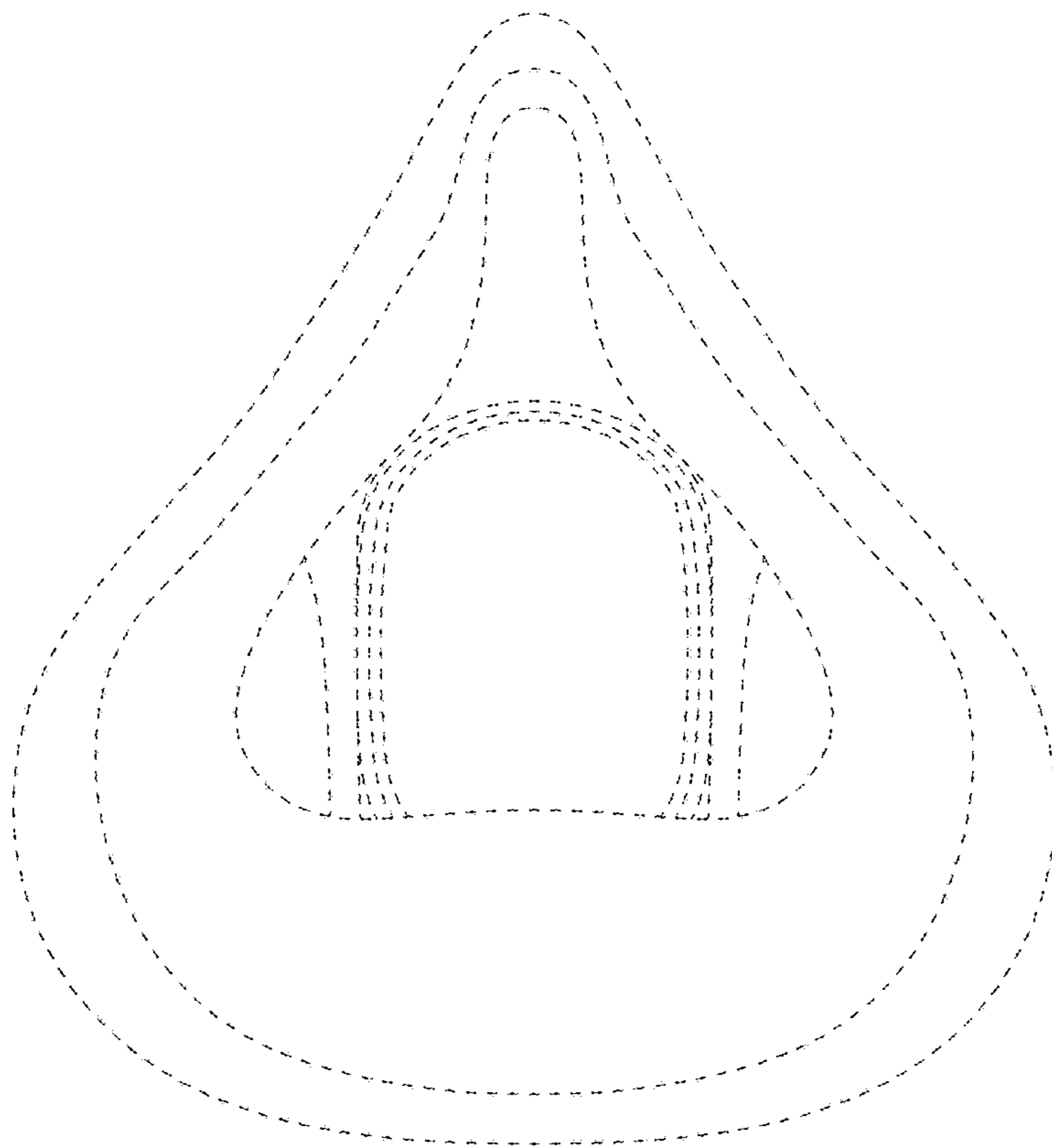


*Fig. 1*

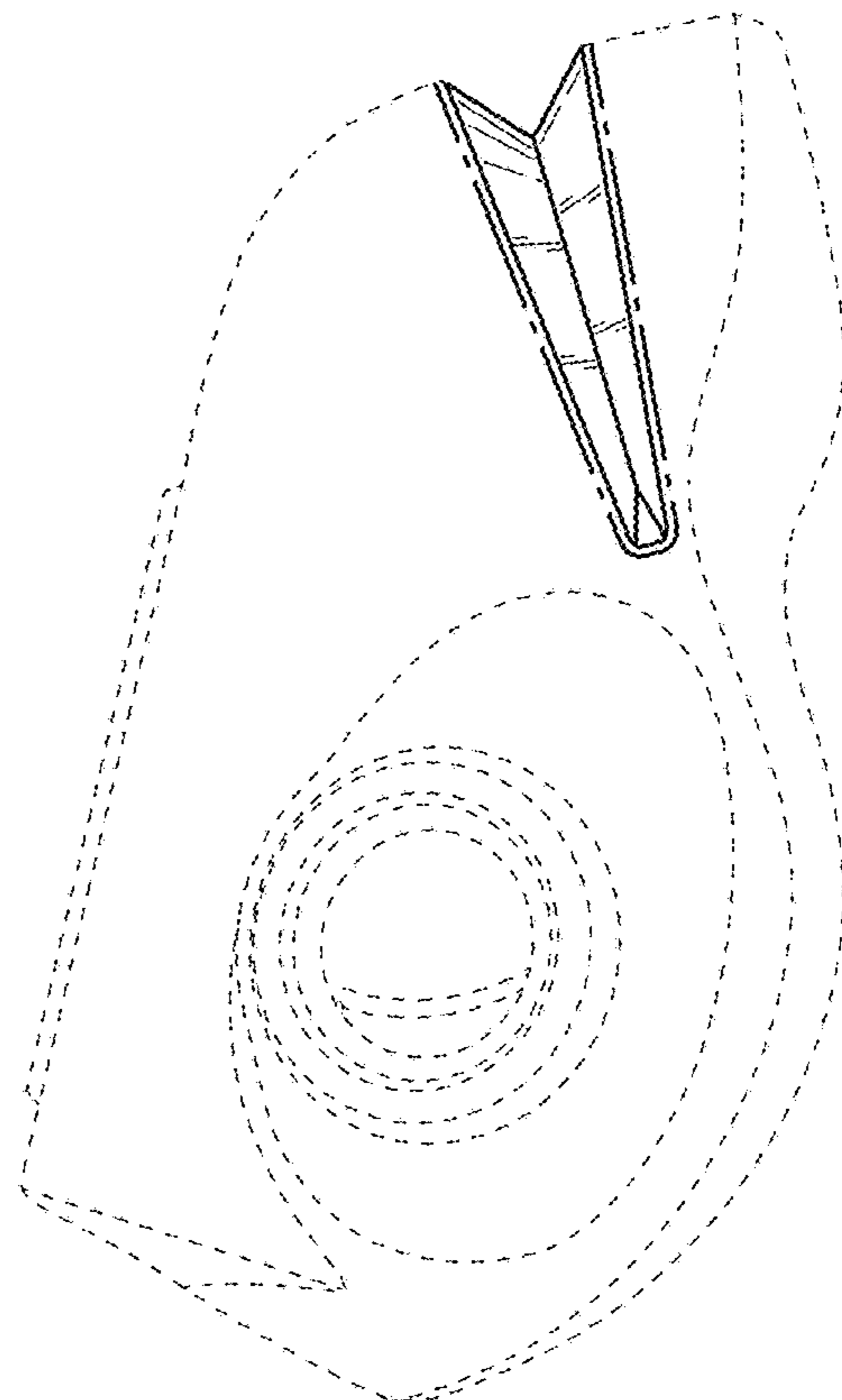


*Fig. 2*

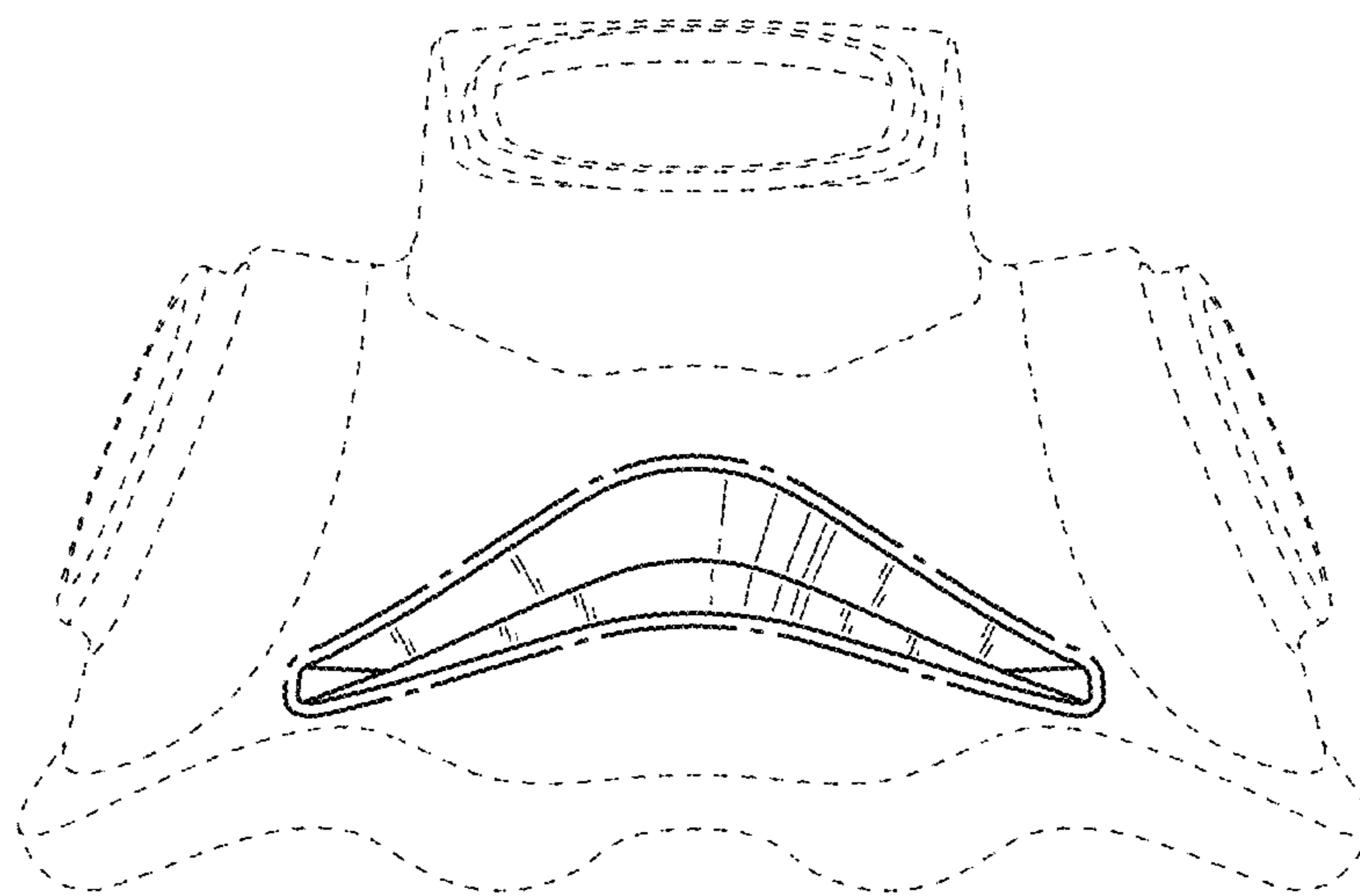




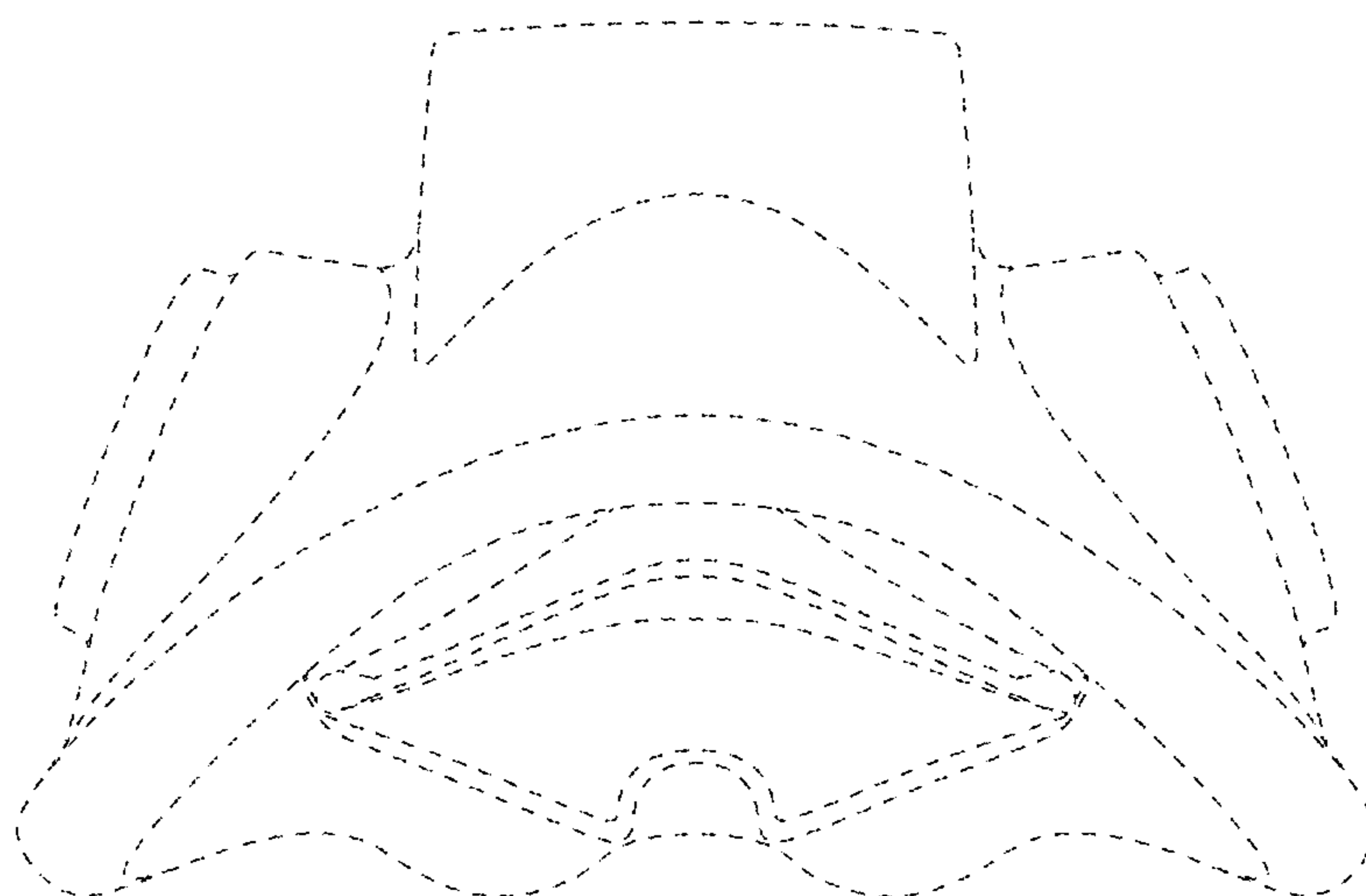
*Fig. 3*



*Fig. 4*



*Fig. 5*



*Fig. 6*