



US00D787652S

(12) **United States Design Patent**
Henninger-Metzger

(10) **Patent No.:** **US D787,652 S**

(45) **Date of Patent:** **** May 23, 2017**

(54) **INTEGRATED BATHTUB AND SINK**

(71) Applicant: **Cynthia R. Henninger-Metzger**,
Sacramento, CA (US)

(72) Inventor: **Cynthia R. Henninger-Metzger**,
Sacramento, CA (US)

(**) Term: **15 Years**

(21) Appl. No.: **29/555,942**

(22) Filed: **Feb. 25, 2016**

(51) **LOC (10) Cl.** **23-02**

(52) **U.S. Cl.**
USPC **D23/271**

(58) **Field of Classification Search**
USPC D23/271, 273, 275-277, 280.1, 280.2,
D23/280.3, 280.4, 284, 293.1, 287-292,
D23/303, 308

CPC ... A47K 4/00; A47K 1/04; A47B 77/06; A47J
47/20

See application file for complete search history.

(56) **References Cited**

U.S. PATENT DOCUMENTS

1,432,916 A 10/1922 Schwartz
1,995,841 A 3/1935 De Marinis
D110,643 S * 7/1938 Mahlum 4/663
D128,143 S 7/1941 Ostrowski

D144,790 S 5/1946 Houpt
D166,061 S * 3/1952 Bagwell D23/273
D181,512 S * 11/1957 Zupon D23/271
D190,988 S * 8/1961 Radcliff D23/273
3,015,110 A * 1/1962 Treand A47K 4/00
4/663
D301,606 S * 6/1989 Harvey D23/271
D394,493 S * 5/1998 Zeidner D23/277
D533,644 S * 12/2006 Talocci D23/277
D616,073 S 5/2010 Kim
D624,162 S * 9/2010 Bouroullec D23/277

* cited by examiner

Primary Examiner — Robert M Spear

Assistant Examiner — John Voytek

(74) *Attorney, Agent, or Firm* — R. Michael West

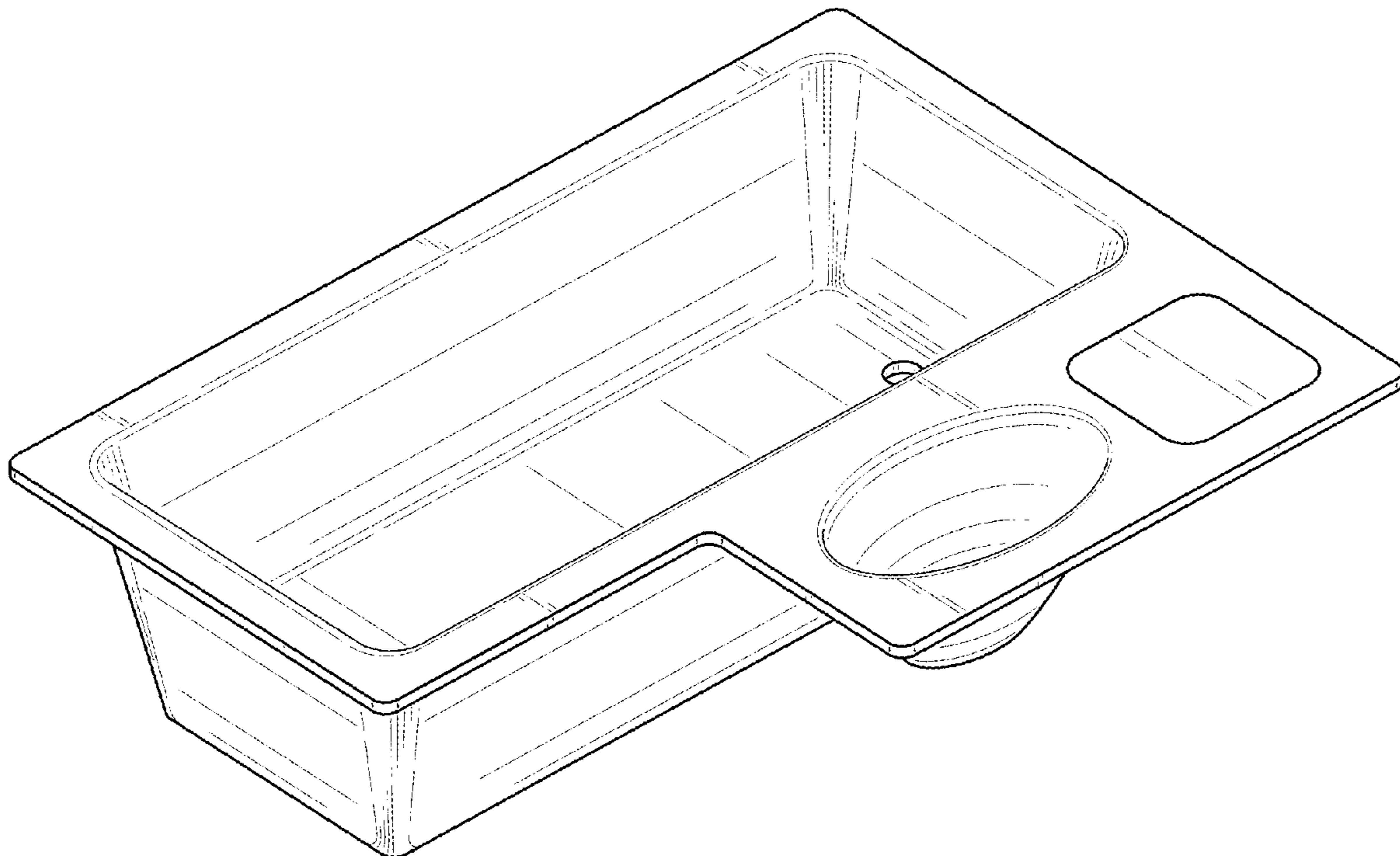
(57) **CLAIM**

The ornamental design for an integrated bathtub and sink, as shown and described.

DESCRIPTION

FIG. 1 is a left rear perspective view of an integrated bathtub and sink, showing my new design;
FIG. 2 is a left side elevational view, thereof;
FIG. 3 is a right side elevational view, thereof;
FIG. 4 is a rear elevational view, thereof;
FIG. 5 is a front elevational view, thereof;
FIG. 6 is a top plan view, thereof; and,
FIG. 7 is a bottom plan view, thereof.

1 Claim, 5 Drawing Sheets



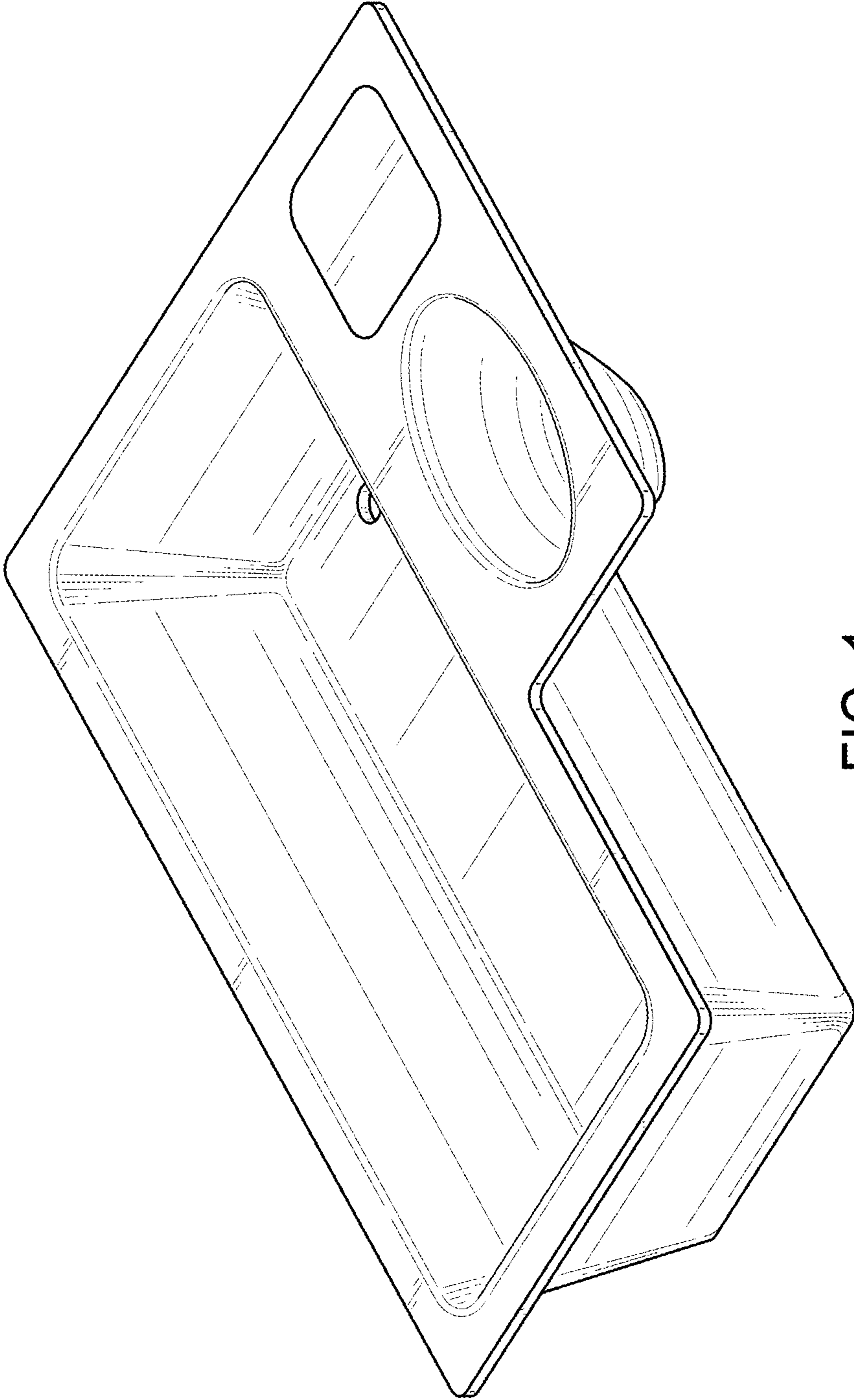


FIG. 1

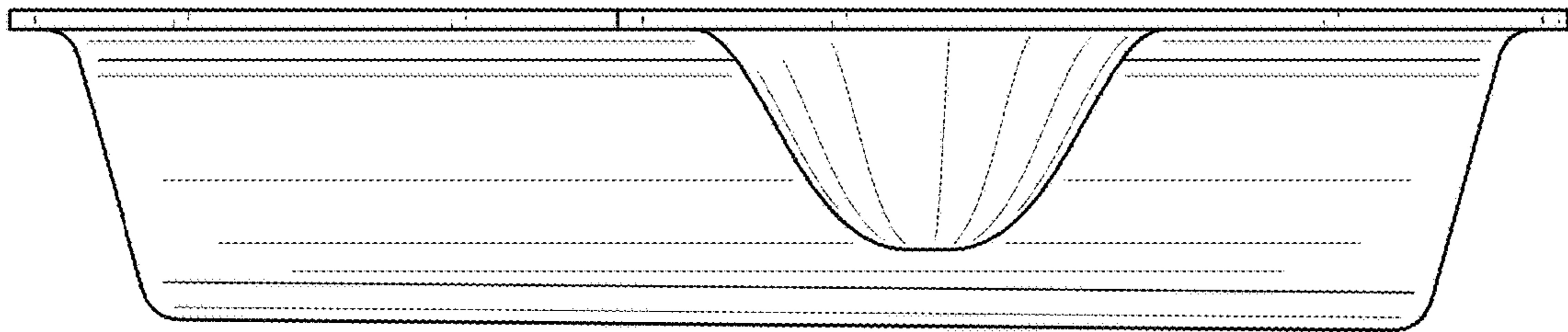


FIG. 2

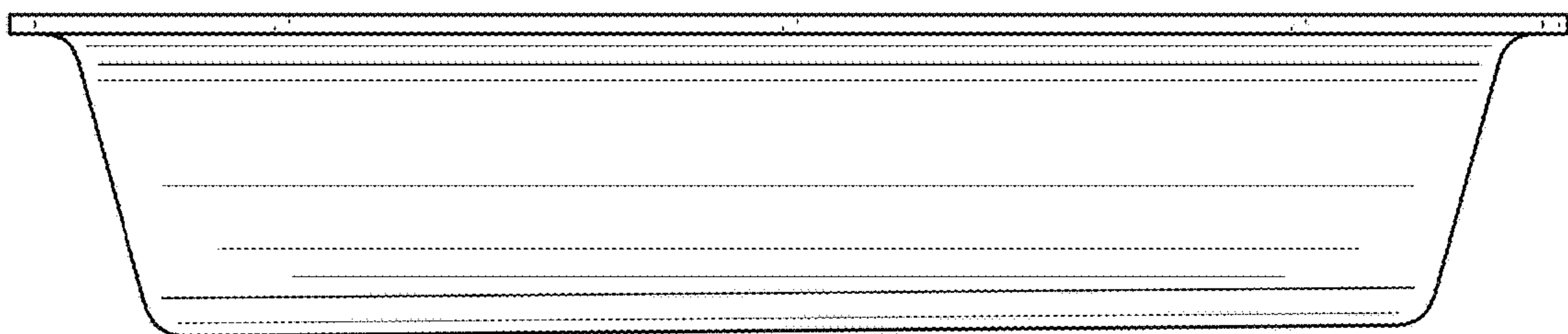


FIG. 3

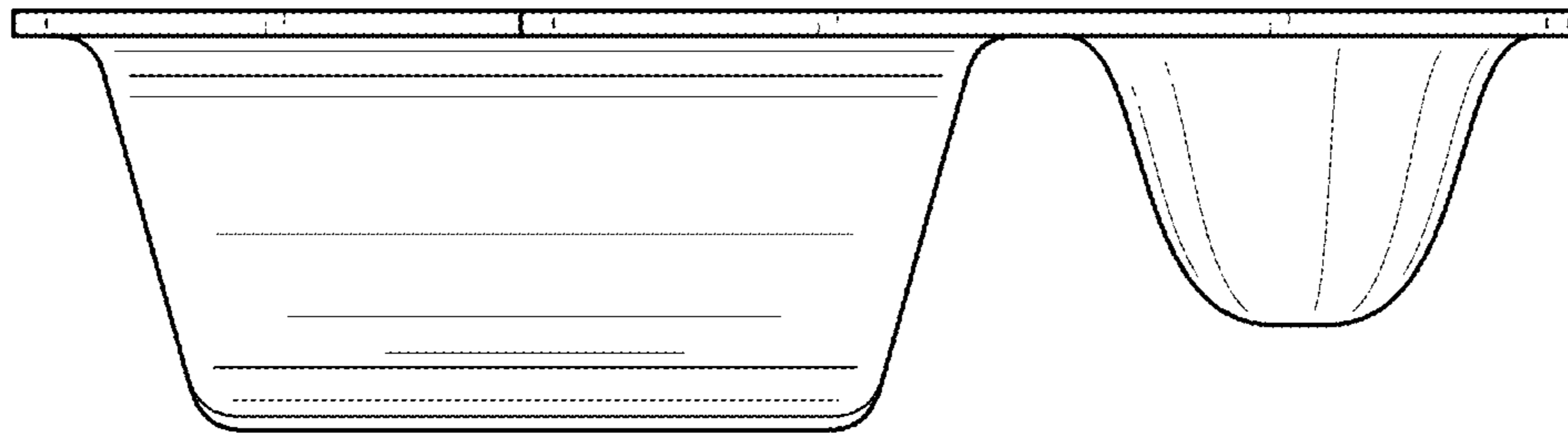


FIG. 4

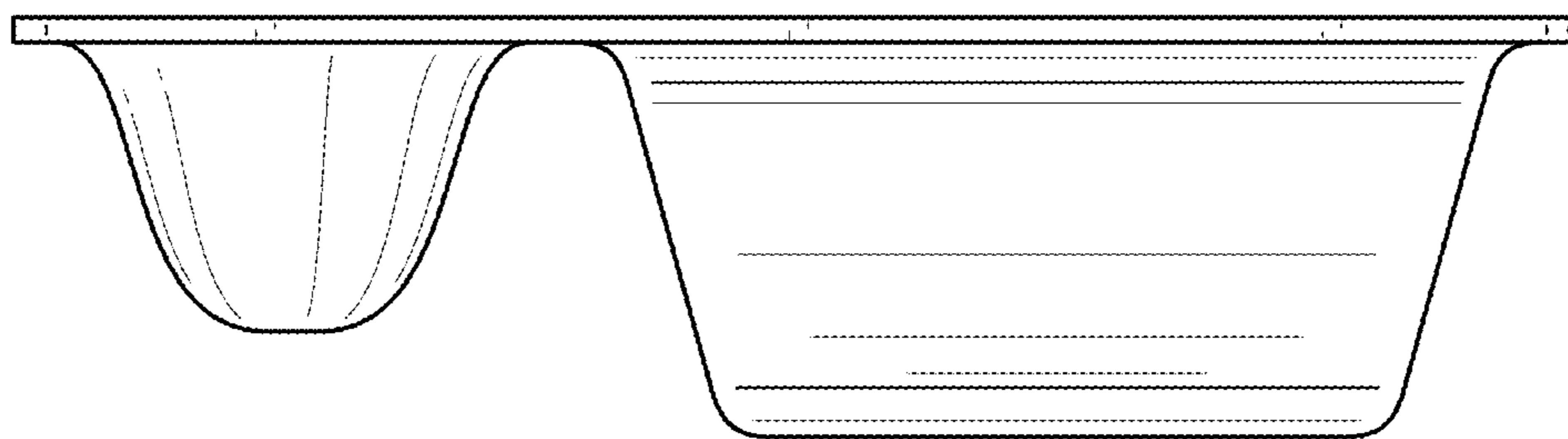


FIG. 5

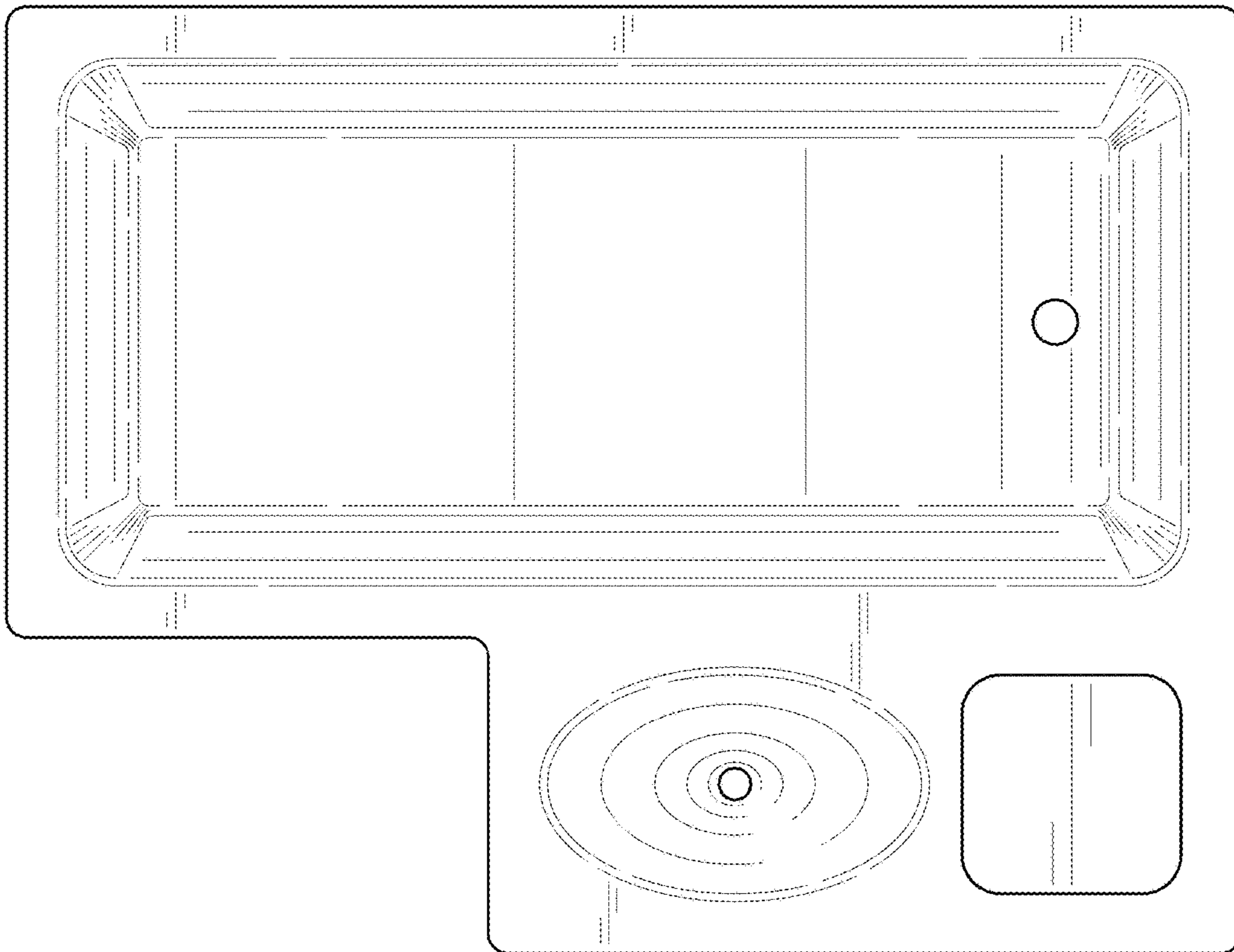


FIG. 6

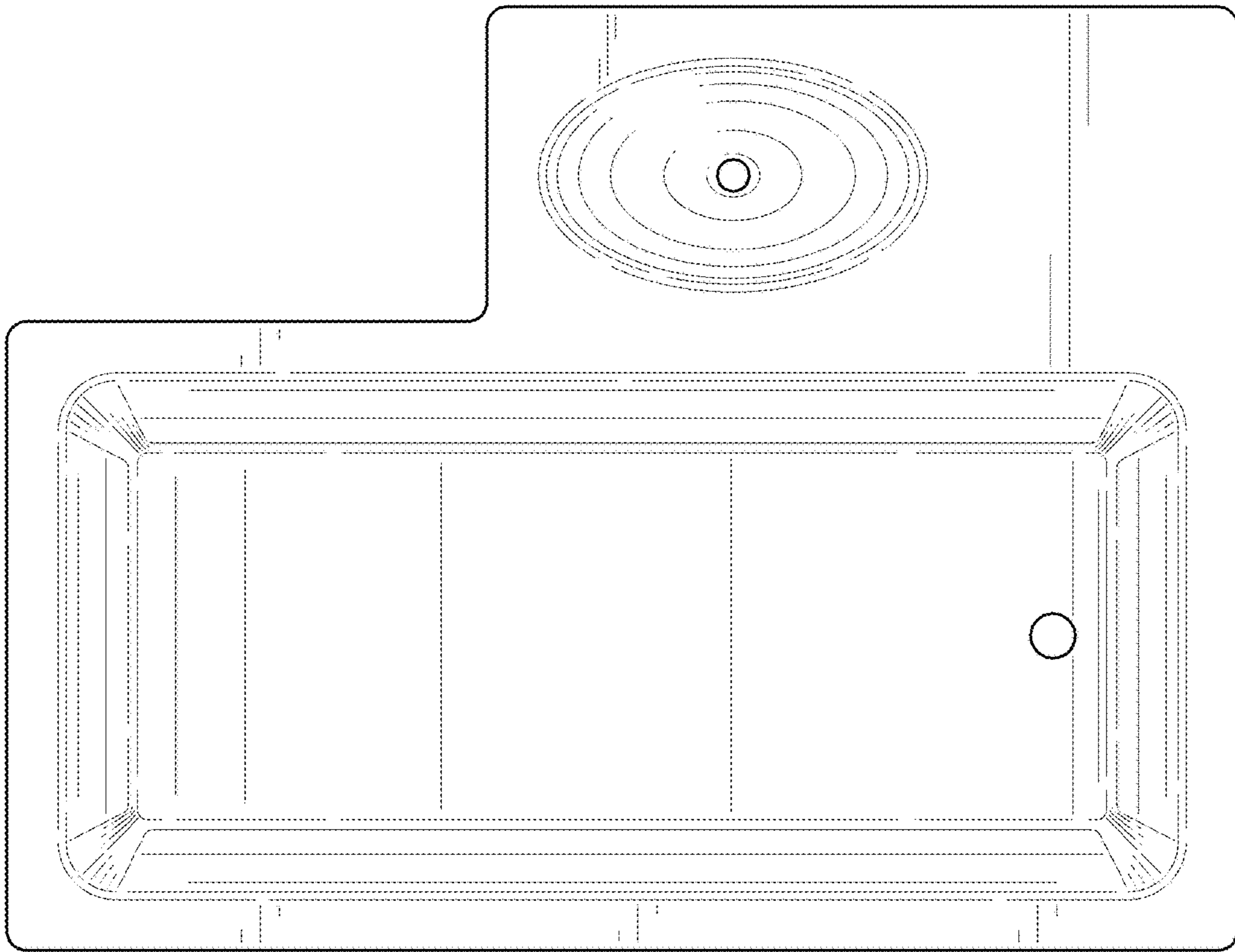


FIG. 7