



US00D787651S

(12) **United States Design Patent**
Kury

(10) **Patent No.:** **US D787,651 S**

(45) **Date of Patent:** **** May 23, 2017**

- (54) **HOSE**
- (71) Applicant: **Neoperl GmbH**, Mullheim (DE)
- (72) Inventor: **Werner Kury**, Mullheim (DE)
- (73) Assignee: **Neoperl GmbH**, Müllheim (DE)
- (**) Term: **14 Years**

D459,435 S *	6/2002	Fauquet	D23/213
D479,741 S *	9/2003	Chiu	D23/266
D615,166 S *	5/2010	Patti	D23/266
D726,289 S *	4/2015	Mahmood	D23/266
D731,033 S *	6/2015	Kury	D23/266
2008/0190506 A1*	8/2008	Cleveland	F16L 57/04 138/110

* cited by examiner

Primary Examiner — Sandra Snapp

(74) *Attorney, Agent, or Firm* — Volpe and Koenig, P.C.

- (21) Appl. No.: **29/504,642**
- (22) Filed: **Oct. 8, 2014**

(30) **Foreign Application Priority Data**

Apr. 30, 2014	(EM)	001410336-0001
Apr. 30, 2014	(EM)	001410336-0002
Apr. 30, 2014	(EM)	001410336-0003
Apr. 30, 2014	(EM)	001410336-0004
Apr. 30, 2014	(EM)	001410336-0005
Apr. 30, 2014	(EM)	001410336-0006

- (51) **LOC (10) Cl.** **23-01**
- (52) **U.S. Cl.**
USPC **D23/266**

- (58) **Field of Classification Search**
USPC 2/259–263, 266–269, 233; 251/215, 216;
285/369, 372, 373, 417, 133.11, 133.3,
285/133.21, 133.4, 133.5, 133.6
CPC F16L 11/00; F16L 37/252; F16L 41/007;
E03C 1/26; E03C 1/262; E03C 1/28;
E03F 5/04; A61B 5/00; A61M 25/09016
See application file for complete search history.

(56) **References Cited**

U.S. PATENT DOCUMENTS

D368,299 S *	3/1996	Ratledge	D23/235
D459,434 S *	6/2002	Fauquet	D23/213

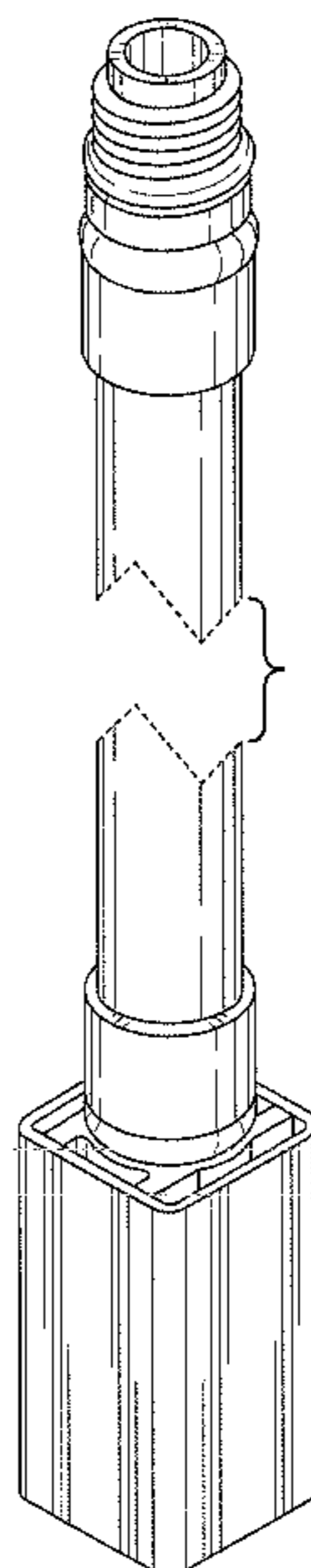
(57) **CLAIM**

The ornamental design for a hose, as shown and described.

DESCRIPTION

FIG. 1 is a top, front, right perspective view of a first embodiment of a hose in accordance with my design;
 FIG. 2 is a bottom view thereof;
 FIG. 3 is a bottom, front, right perspective view thereof;
 FIG. 4 is a front elevational view thereof;
 FIG. 5 is rear elevational view thereof;
 FIG. 6 is right side elevational view; and
 FIG. 7 is a left side elevational view thereof;
 FIG. 8 is a top, front, right perspective view of a second embodiment of a hose in accordance with my design;
 FIG. 9 is a bottom view thereof;
 FIG. 10 is a bottom, front, right perspective view thereof;
 FIG. 11 is a front elevational view thereof;
 FIG. 12 is rear elevational view thereof;
 FIG. 13 is right side elevational view; and,
 FIG. 14 is a left side elevational view thereof.
 The broken lines shown represent unclaimed portions of the hose and form no part of the claimed design.

1 Claim, 14 Drawing Sheets



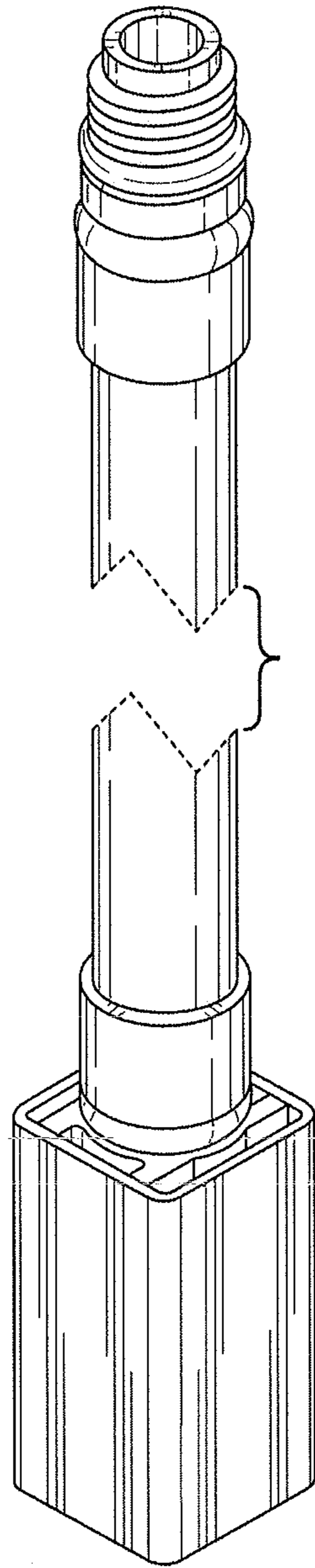


FIG. 1

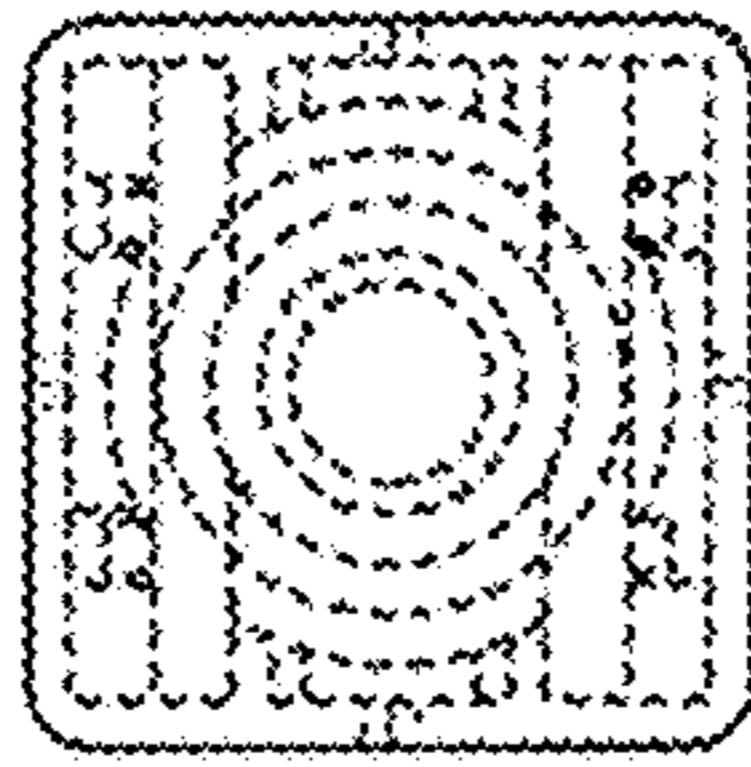


FIG. 2

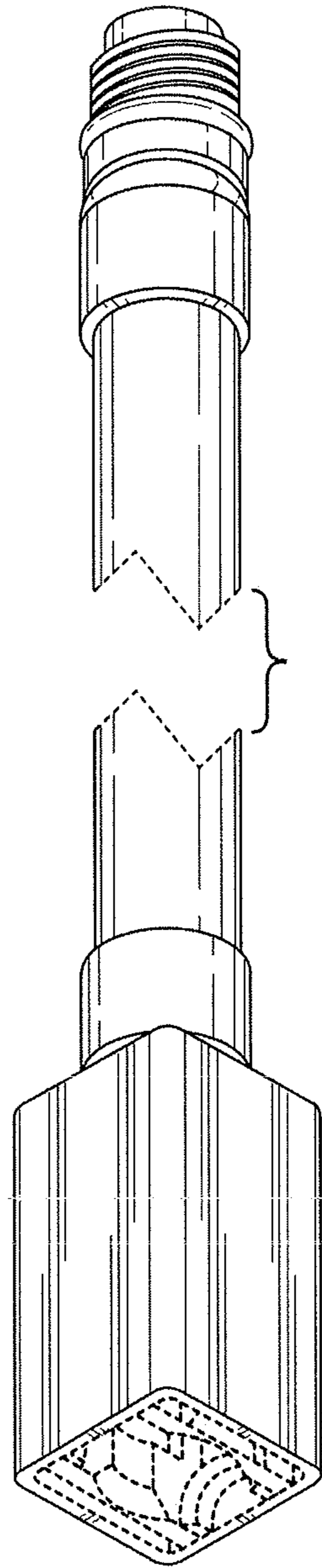


FIG. 3

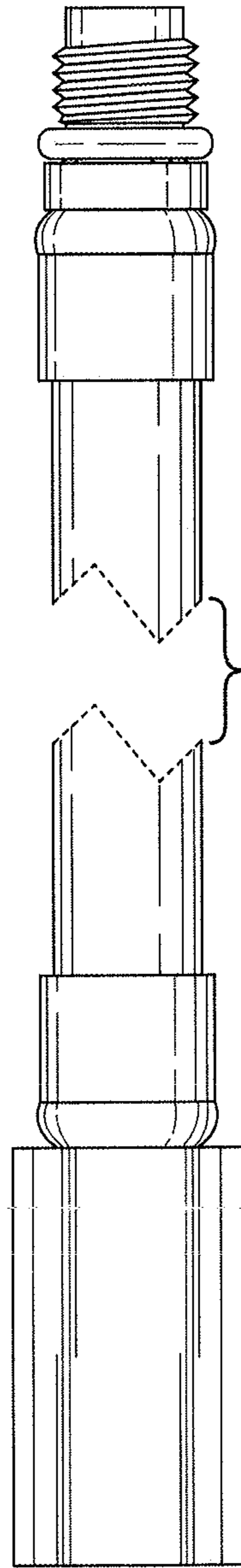


FIG. 4

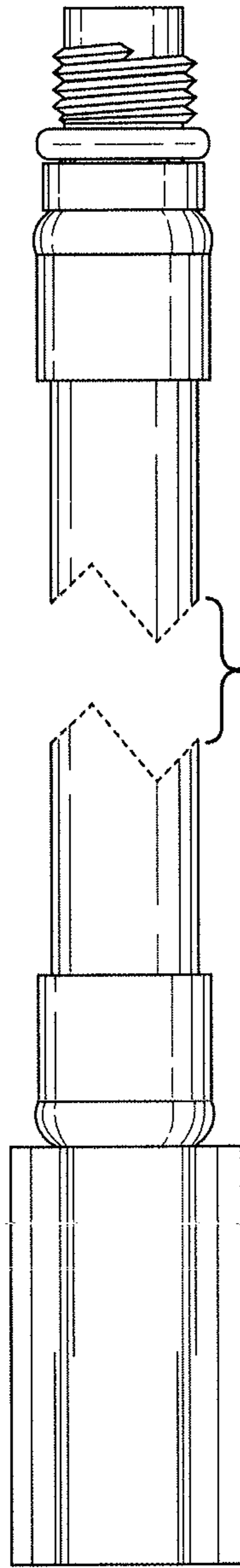


FIG. 5

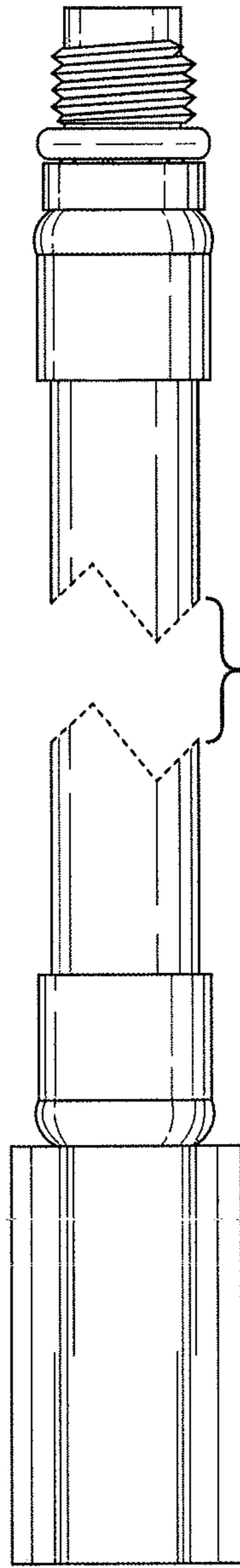


FIG. 6

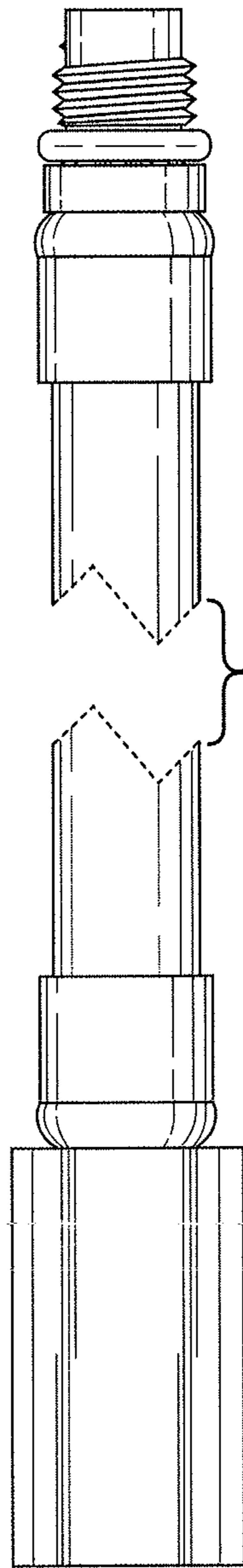


FIG. 7

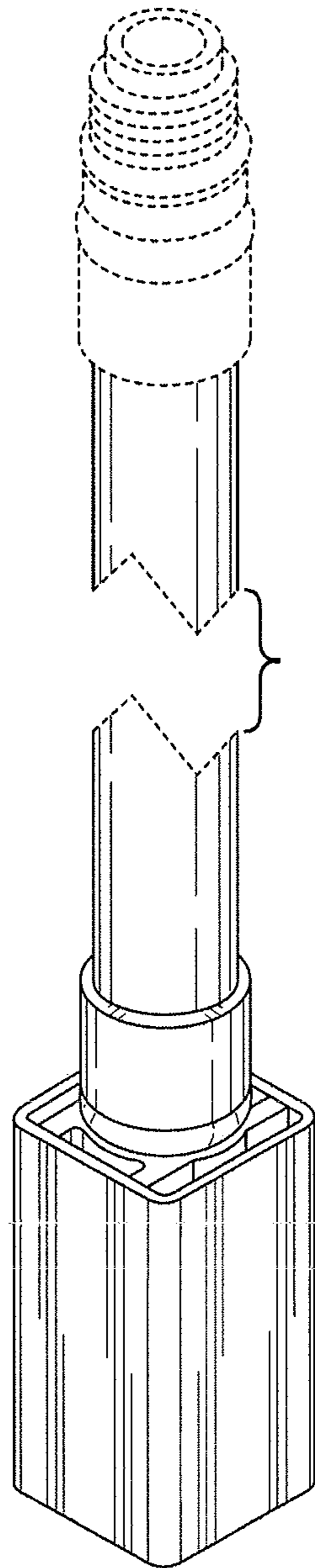


FIG. 8

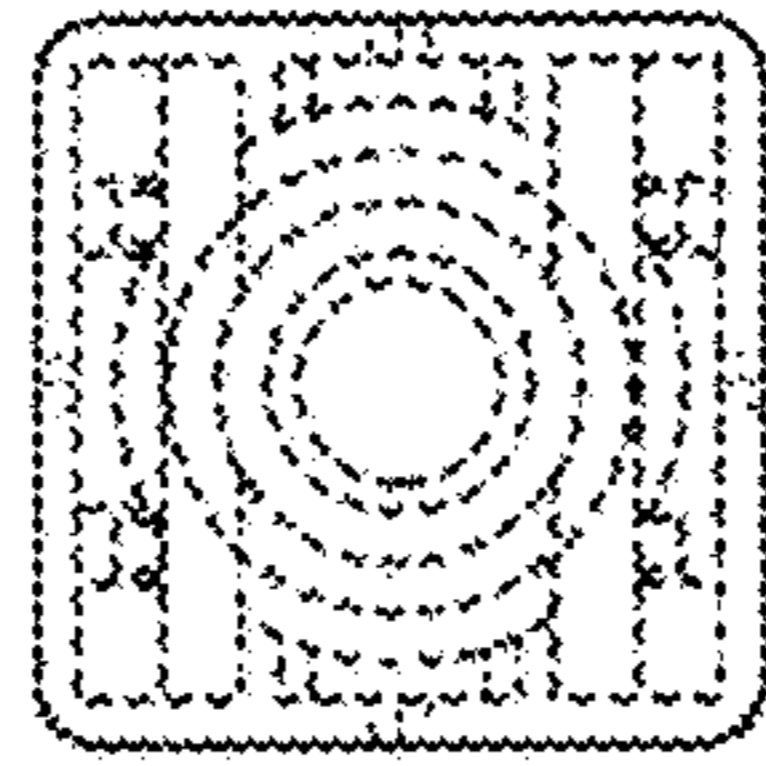


FIG. 9

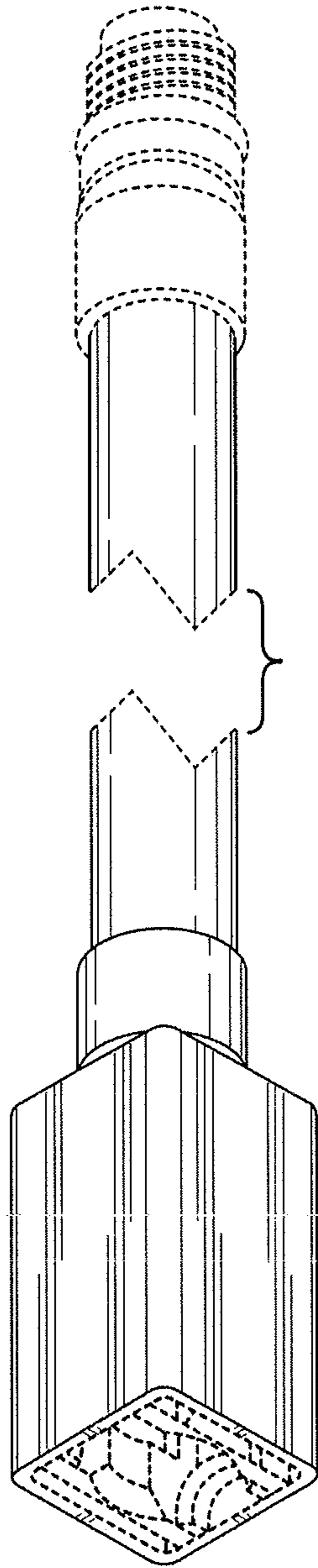


FIG. 10

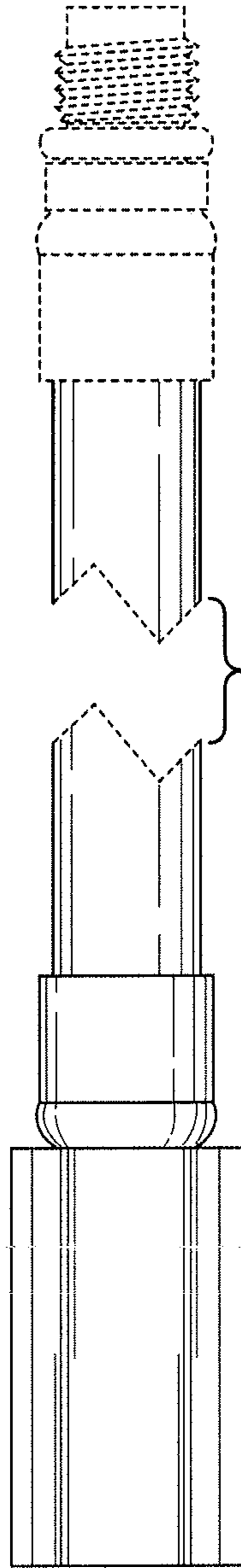


FIG. 11

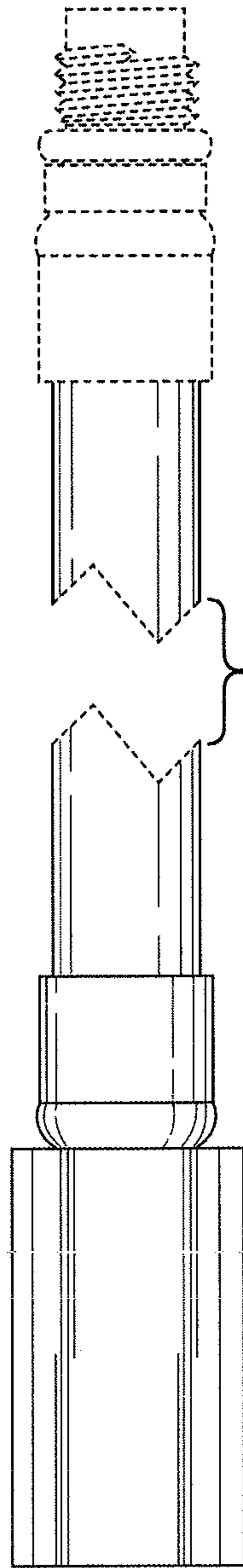


FIG. 12

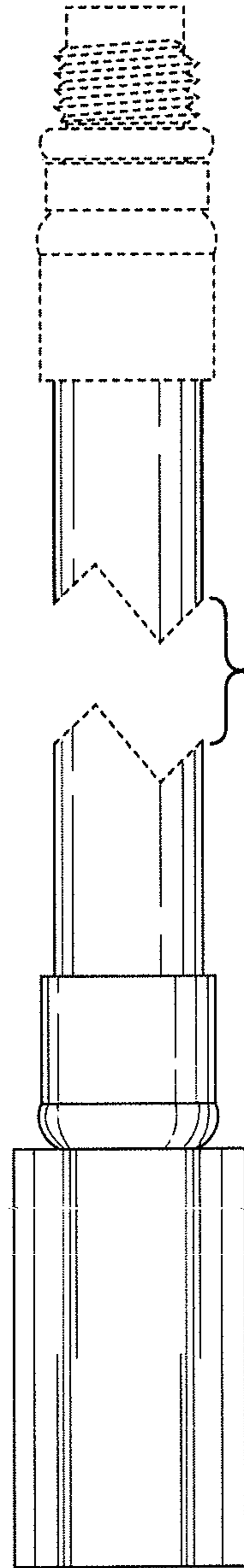


FIG. 13

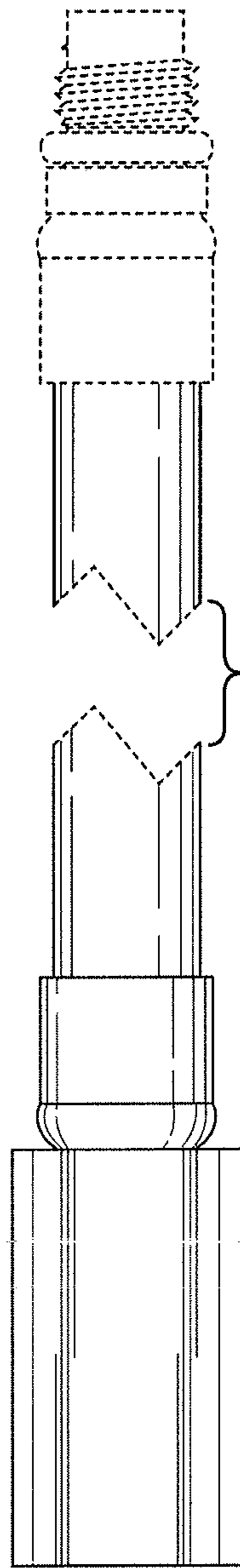


FIG. 14