



US00D787648S

(12) **United States Design Patent**
Smith

(10) **Patent No.:** **US D787,648 S**

(45) **Date of Patent:** **** May 23, 2017**

(54) **RAINTIGHT FITTING CONNECTOR BODY**

(71) Applicant: **Bridgeport Fittings, Inc.**, Stratford, CT (US)

(72) Inventor: **Lawrence J. Smith**, Stamford, CT (US)

(73) Assignee: **BRIDGEPORT FITTINGS, INC.**, Stratford, CT (US)

(**) Term: **15 Years**

(21) Appl. No.: **29/559,036**

(22) Filed: **Mar. 24, 2016**

Related U.S. Application Data

(63) Continuation-in-part of application No. 14/068,663, filed on Oct. 31, 2013, now Pat. No. 9,343,883.

(51) **LOC (10) Cl.** **23-01**

(52) **U.S. Cl.**
USPC **D23/259**

(58) **Field of Classification Search**
USPC D23/262-266, 269; D13/149-151; D8/382, 387, 396-397, 399; 285/154.1, 285/151.1, 149.1, 248-249, 340-343, 354
CPC . F16J 15/10; F16J 15/028; F16L 19/06; F16L 19/08; F16L 19/061; F16L 5/06; H02G 3/0616; H02G 3/065; H02G 3/0658
See application file for complete search history.

(56) **References Cited**

U.S. PATENT DOCUMENTS

1,186,812 A	6/1916	McFerran	
1,327,106 A	1/1920	Leahy	
1,488,175 A	3/1924	Strandell	
1,772,536 A	8/1930	Cox	
1,796,806 A	3/1931	Pearson	
1,809,582 A *	6/1931	Church	F16L 19/08 285/154.1
1,809,583 A	6/1931	Church	

1,888,343 A	11/1932	Bohlman et al.	
2,139,413 A	10/1933	Kreidel	
2,100,796 A	11/1937	Church	
2,158,757 A *	5/1939	Kuestermeier F16L 19/083 285/340

2,233,214 A	2/1941	Neil	
2,255,673 A	9/1941	McDermott	
2,448,888 A	9/1948	Hynes	
2,474,319 A	6/1949	Jacques	
2,503,169 A	4/1950	Phillips	
2,651,529 A	7/1951	Wayman	

(Continued)

FOREIGN PATENT DOCUMENTS

CN 102011904 A 4/2011

Primary Examiner — Eric Goodman

Assistant Examiner — Amy Wierenga

(74) *Attorney, Agent, or Firm* — Ware, Fressola, Maguire & Barber LLP

(57) **CLAIM**

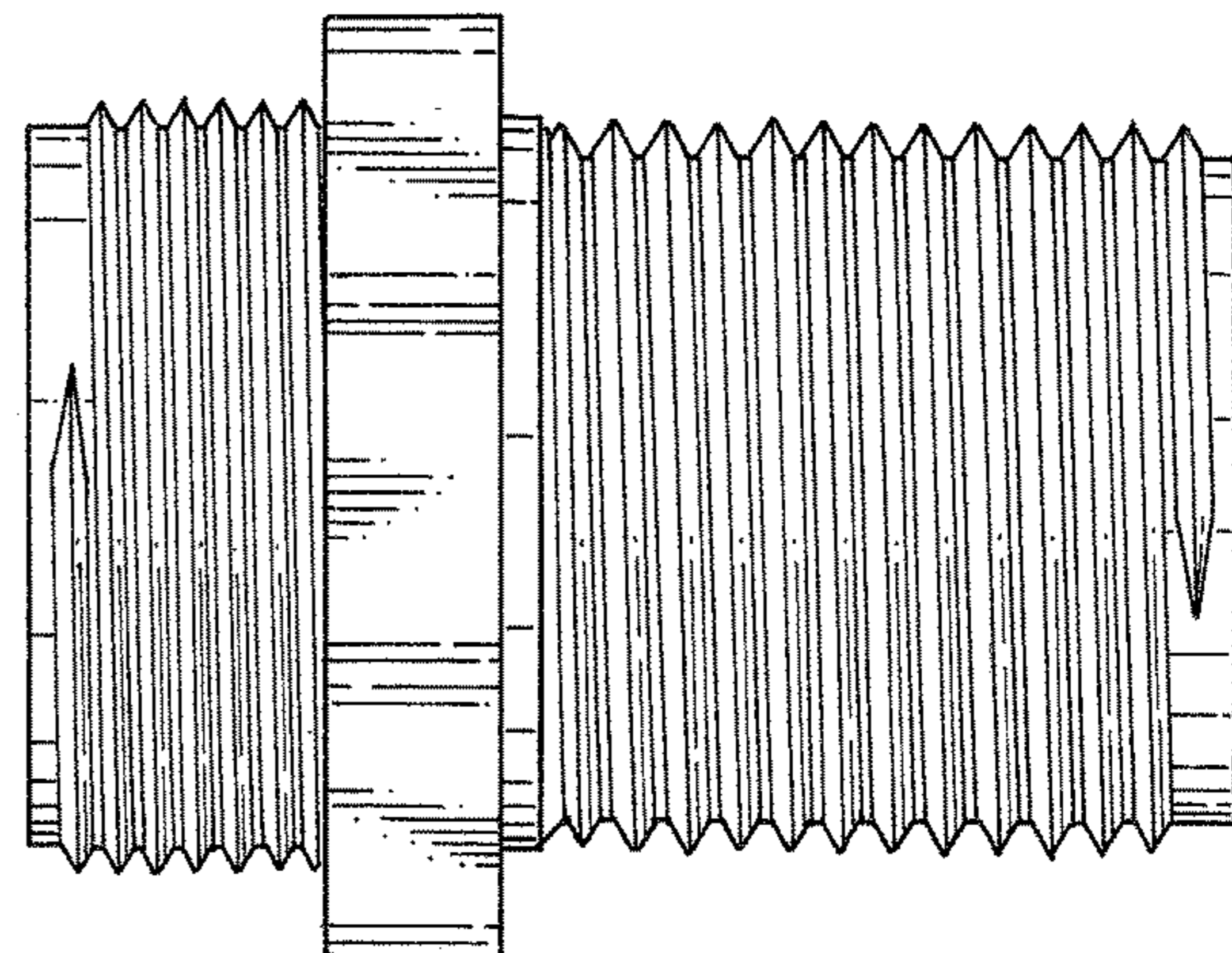
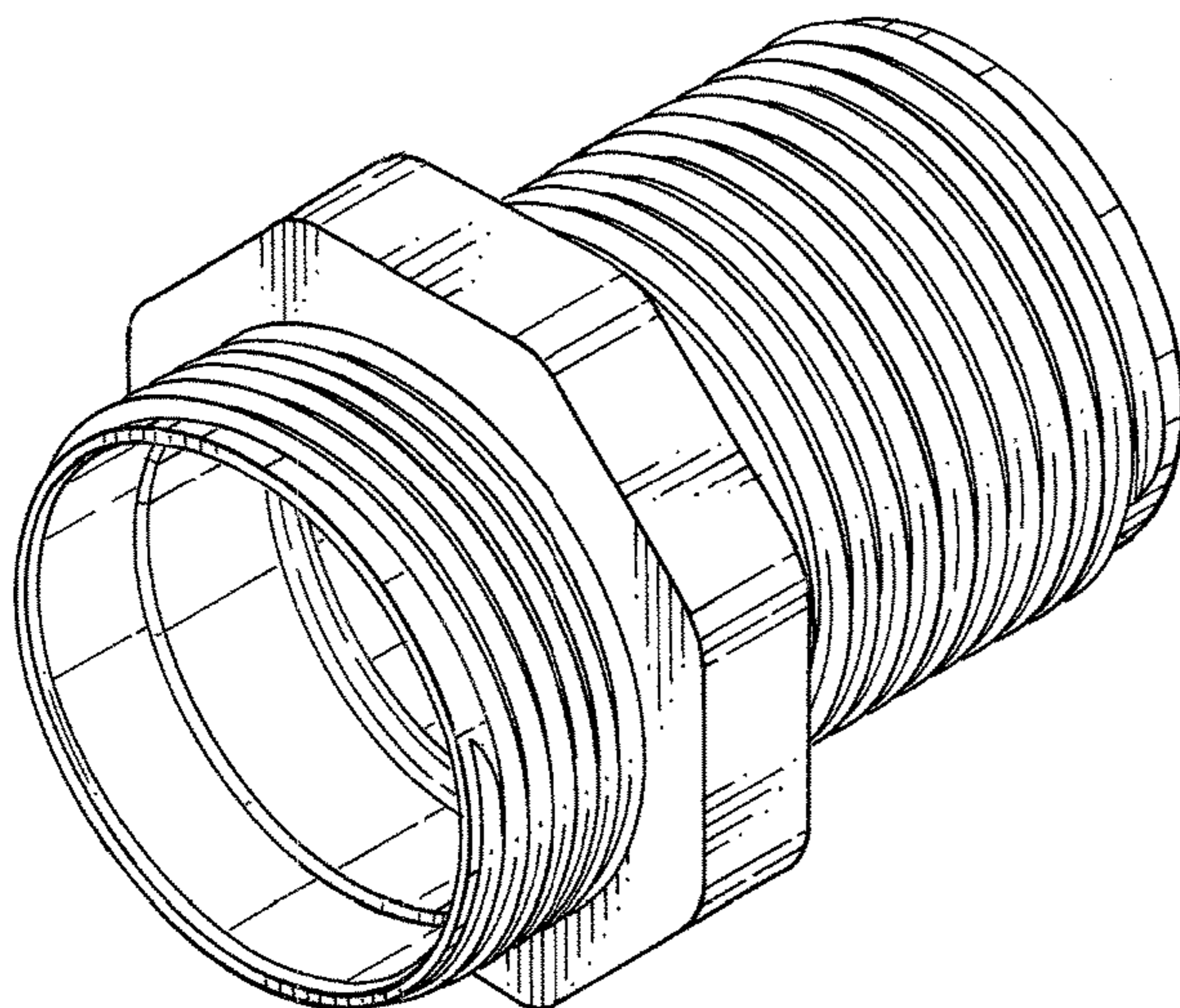
The ornamental design for a raintight fitting connector body, as shown and described.

DESCRIPTION

FIG. 1 is a front perspective view of the raintight fitting connector body of my design;
FIG. 2 is a right side view thereof;
FIG. 3 is left side view thereof;
FIG. 4 is top view thereof;
FIG. 5 is a bottom view thereof;
FIG. 6 is a front view thereof;
FIG. 7 is a rear view thereof; and,
FIG. 8 is an elevational view of FIG. 2 shown in a position of use.

The dashed lines shown in FIG. 7 depict portions of the article that form no part of the claim. The dashed lines shown in FIG. 8 depict environmental subject matter that forms no part of the claim.

1 Claim, 4 Drawing Sheets



(56)

References Cited

U.S. PATENT DOCUMENTS

2,761,705 A	9/1956	Kreidel	6,641,180 B2	11/2003	Udhoefer
2,833,569 A	5/1958	Budnick	6,702,336 B1	3/2004	Chelchowski et al.
2,836,438 A	5/1959	Turnipseed	6,835,088 B2	12/2004	Shemtov
3,275,347 A	9/1966	William	6,840,550 B2	1/2005	Sundholm
3,393,931 A	7/1968	Wurzbürger	6,851,728 B2	2/2005	Minami
3,647,934 A	3/1972	Hurt	6,988,746 B2	1/2006	Olson
3,667,783 A	6/1972	Sotolongo	7,002,077 B2	2/2006	Pyron
3,794,362 A	2/1974	Mooney	7,080,859 B1	7/2006	Gretz et al.
3,801,131 A	4/1974	Appleton	7,390,027 B2 *	6/2008	Kiely F16L 19/061
3,891,294 A *	6/1975	Philibert H02G 3/0683			174/652
		174/663	7,438,327 B2	10/2008	Auray
3,907,335 A	9/1975	Burge et al.	7,604,261 B2 *	10/2009	Kiely F16L 19/061
3,972,547 A	8/1976	Itoya			285/248
4,019,762 A	4/1977	Eidelberg et al.	7,841,630 B1	11/2010	Auray
4,030,741 A	6/1977	Fidrych	7,900,974 B1 *	3/2011	Plattner F16L 19/061
4,145,075 A	3/1979	Holzmann			285/332.1
4,250,348 A	2/1981	Kitagawa	7,976,070 B2 *	7/2011	Kiely F16L 19/061
4,376,873 A	3/1983	Lackinger			174/652
4,508,466 A	4/1985	Dennis	8,129,633 B1	3/2012	Shemtov
4,515,991 A	5/1985	Hutchison	8,474,877 B2	7/2013	Smith
4,547,623 A	10/1985	Van Brunt et al.	D691,033 S *	10/2013	Allman D8/397
4,549,755 A	10/1985	Kot et al.	D709,834 S *	7/2014	Liu D13/151
4,606,562 A	8/1986	Saraceno	D712,840 S *	9/2014	Sykes D13/151
4,608,454 A	8/1986	Lackinger	9,343,883 B2 *	5/2016	DeCesare H02G 3/0616
4,676,533 A	6/1987	Gerondale	2004/0090067 A1	5/2004	Pridham
4,877,270 A	10/1989	Phillips	2005/0035593 A1 *	2/2005	Auray F16L 19/063
4,915,427 A	4/1990	Zahuranec			285/154.1
4,983,784 A	1/1991	Whitlock	2005/0194785 A1	9/2005	Shemtov
5,028,078 A	7/1991	Schwarz et al.	2005/0212288 A1 *	9/2005	Stewart F16L 19/065
5,037,140 A	8/1991	Anderson			285/249
5,068,494 A	11/1991	Bolante	2007/0205601 A1 *	9/2007	Shemtov F16L 5/06
5,208,427 A	5/1993	Couto et al.			285/151.1
5,230,536 A	7/1993	Rider et al.	2008/0143103 A1	6/2008	Kiely
5,393,109 A	2/1995	Gumpel	2014/0117660 A1 *	5/2014	Smith H02G 3/088
D363,767 S *	10/1995	Swaim D23/260			285/141.1
5,466,890 A	11/1995	Stagnitti	2014/0265321 A1 *	9/2014	DeCesare H02G 3/0616
5,621,191 A	4/1997	Norris et al.			285/343
5,951,327 A	9/1999	Marik	2015/0048614 A1 *	2/2015	Coyle, Jr. F16L 19/12
6,073,976 A	6/2000	Schmidt et al.			285/322
6,268,565 B1	7/2001	Daoud	2015/0069750 A1 *	3/2015	Jung H02G 3/0412
D462,058 S *	8/2002	Montena D13/133			285/14
D469,742 S *	2/2003	Michon D13/151	2016/0204587 A1 *	7/2016	DeCesare F16J 15/028
					285/343

* cited by examiner

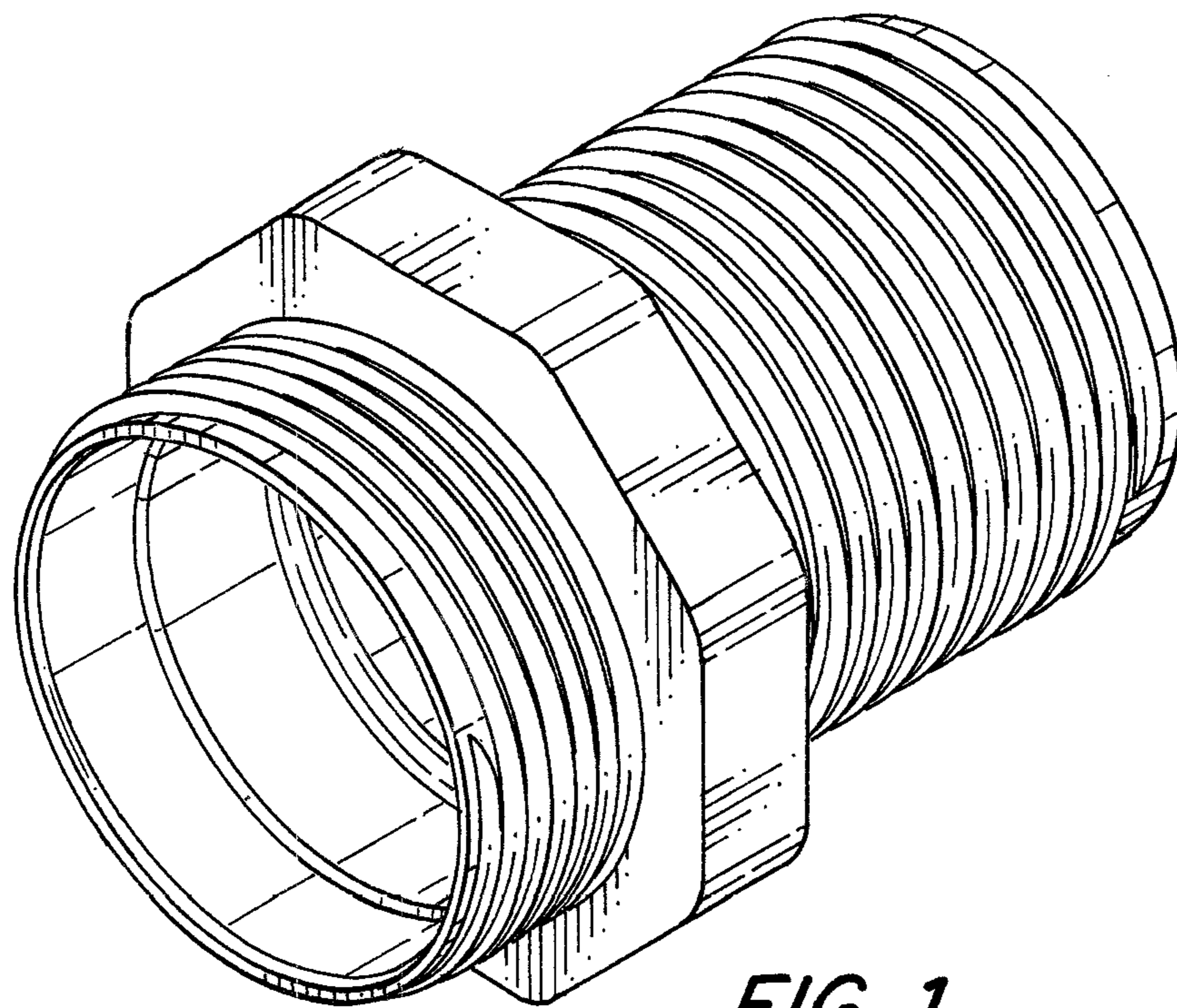


FIG. 1

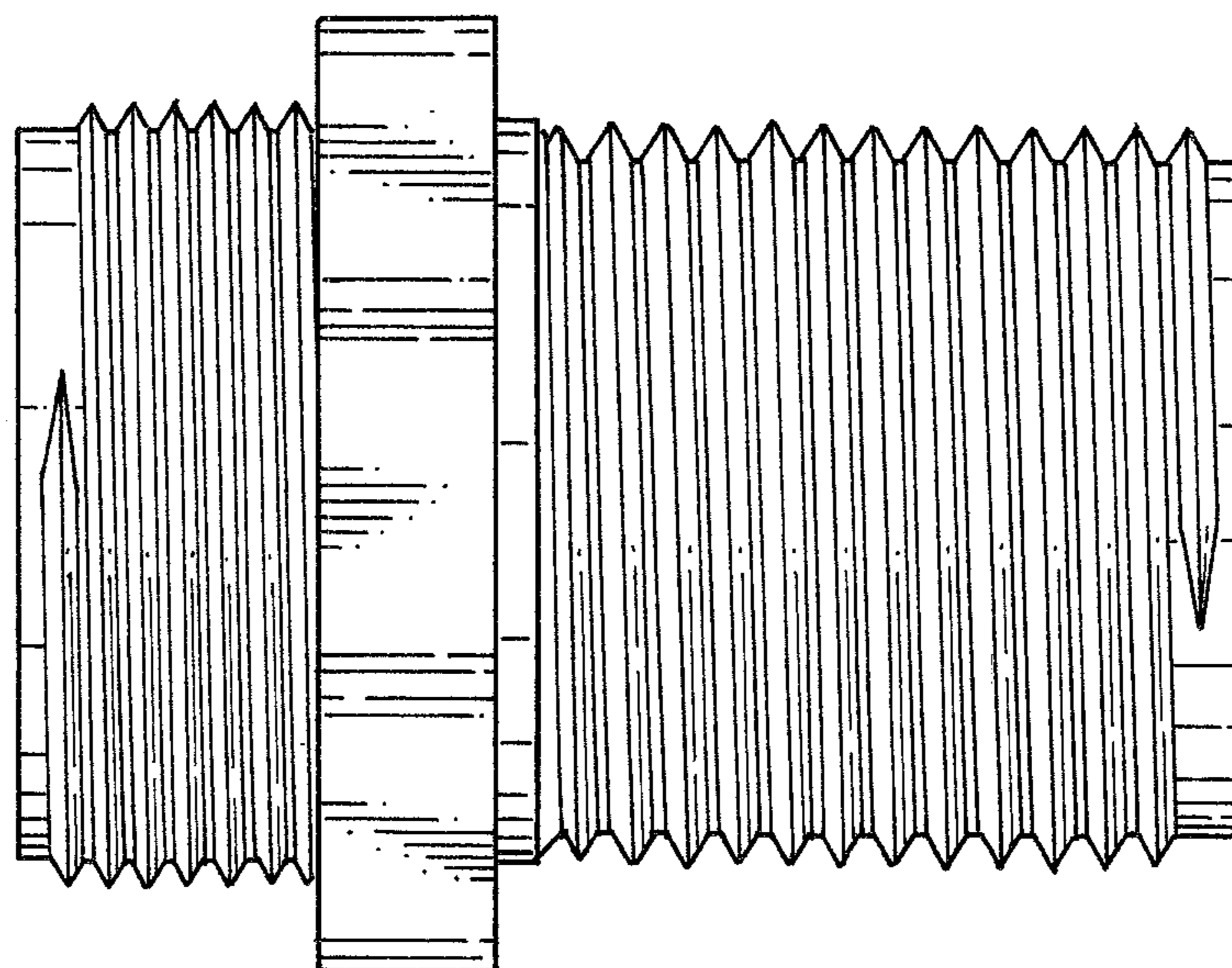


FIG. 2

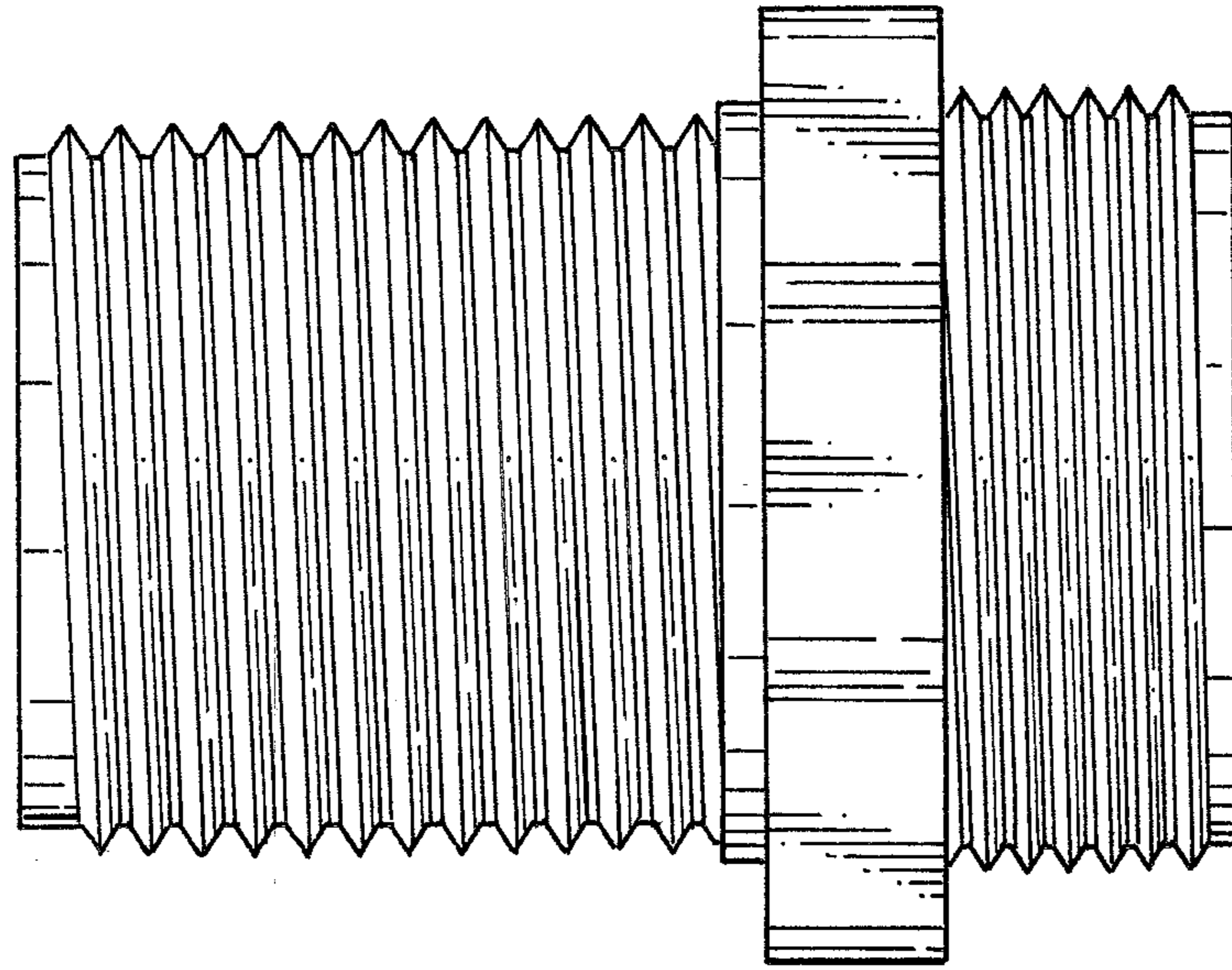


FIG. 3

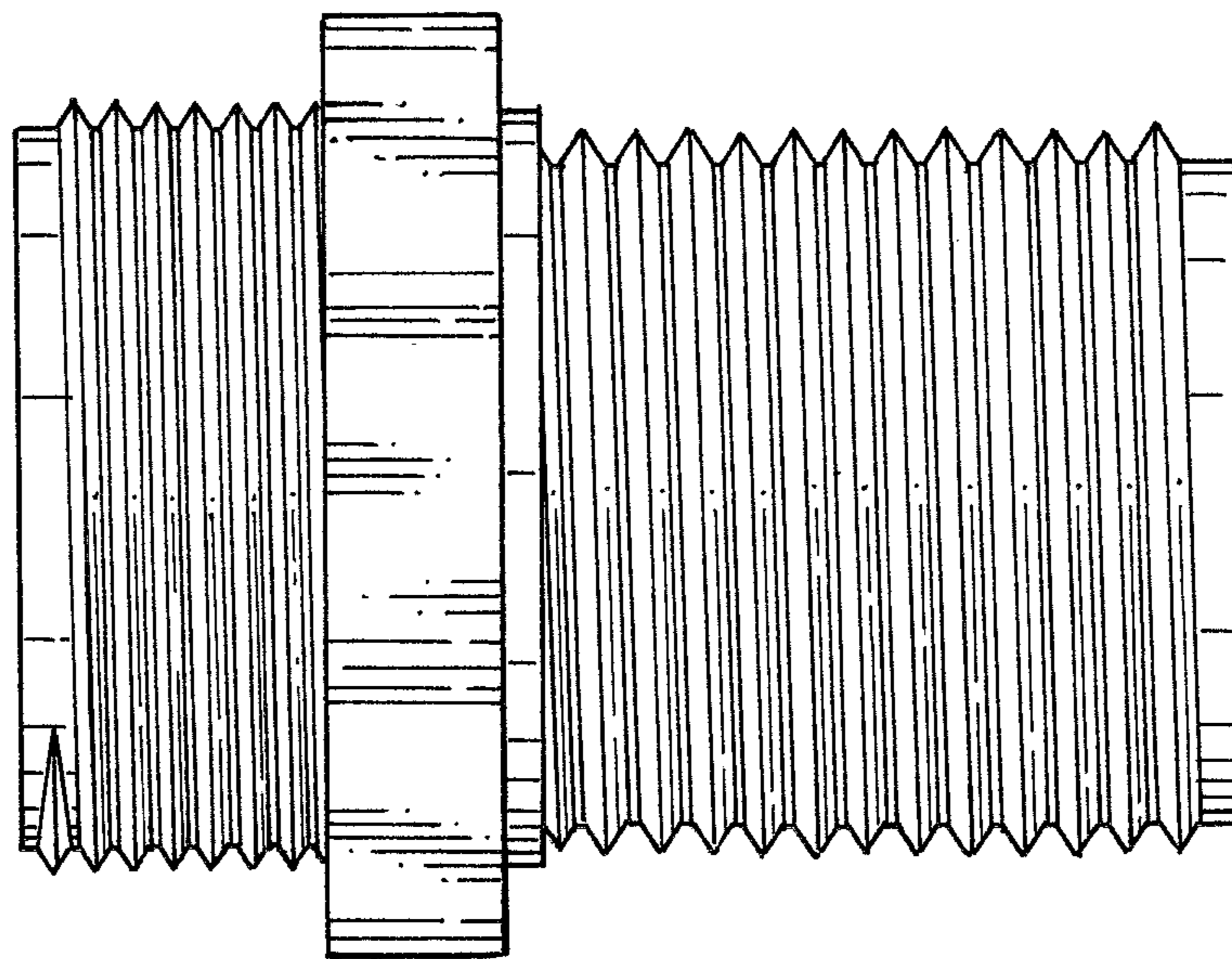


FIG. 4

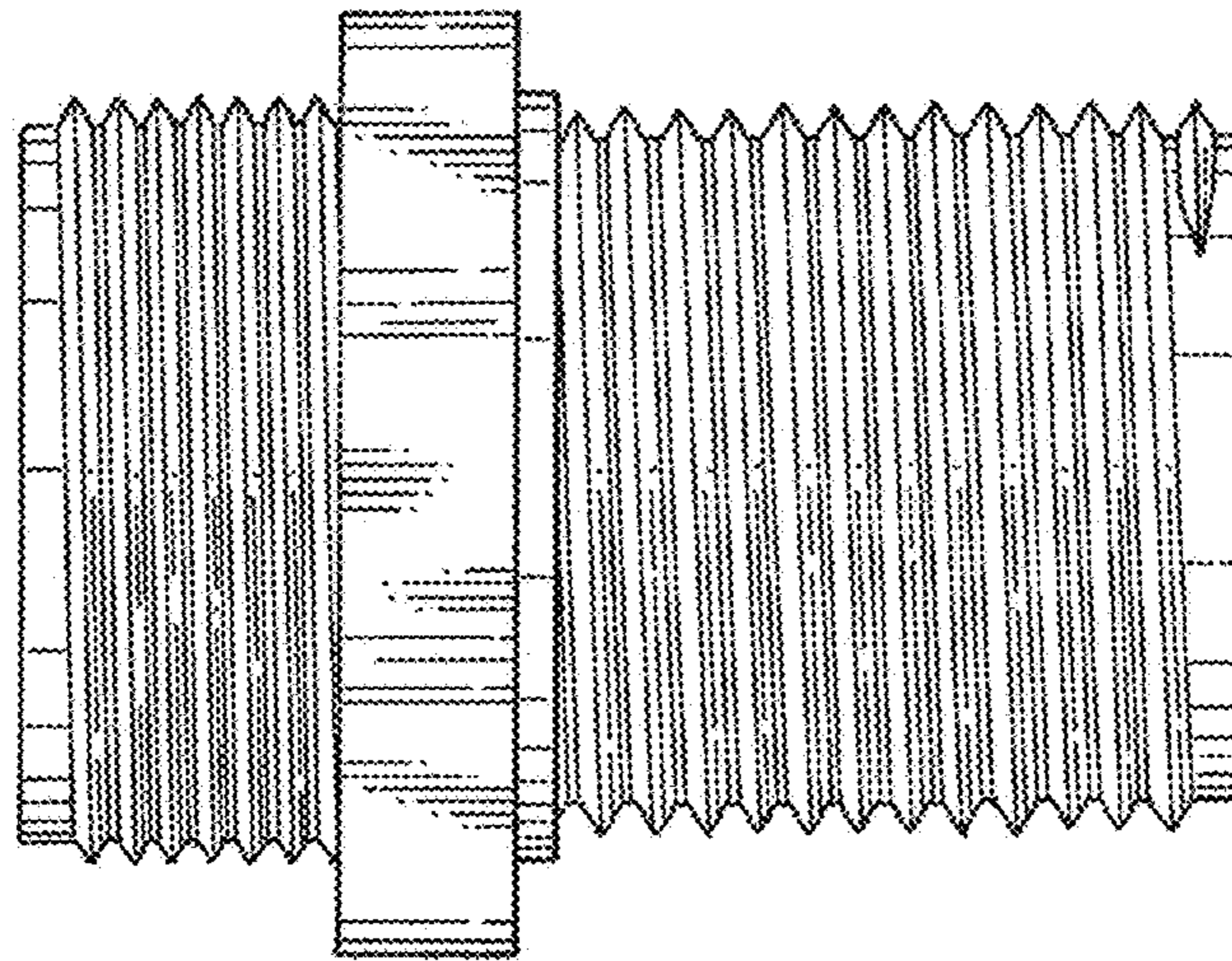


FIG. 5

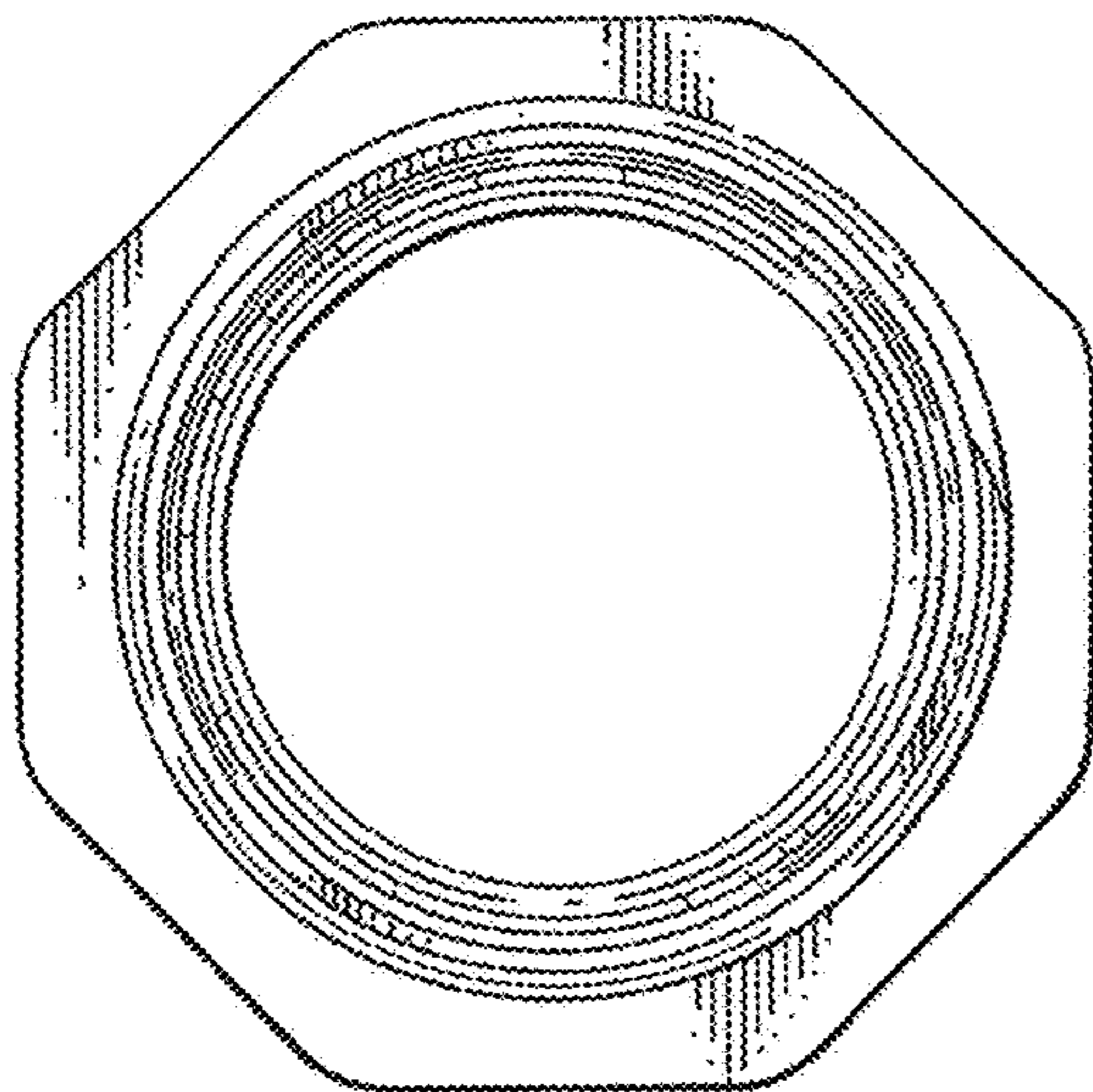


FIG. 6

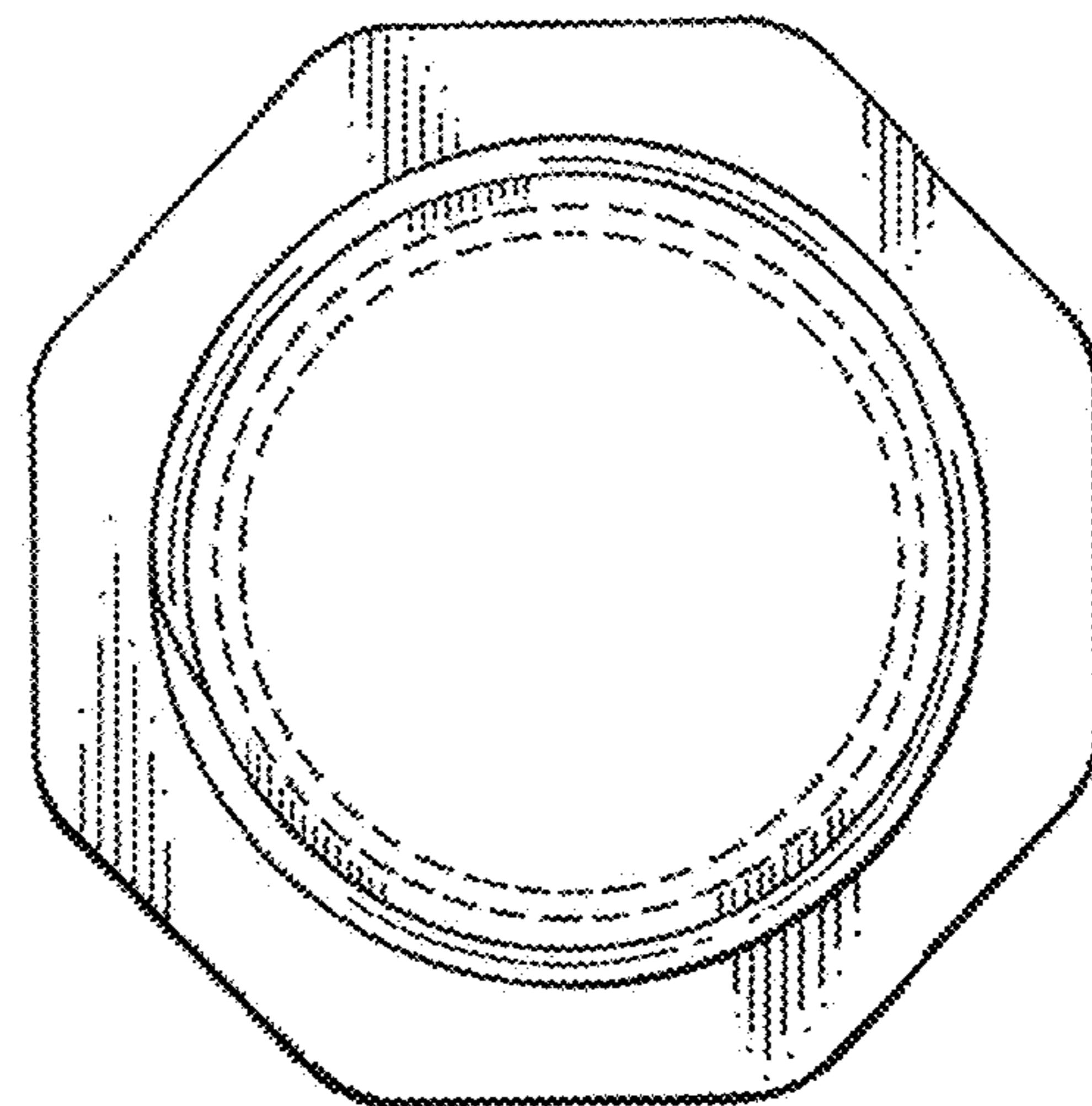


FIG. 7

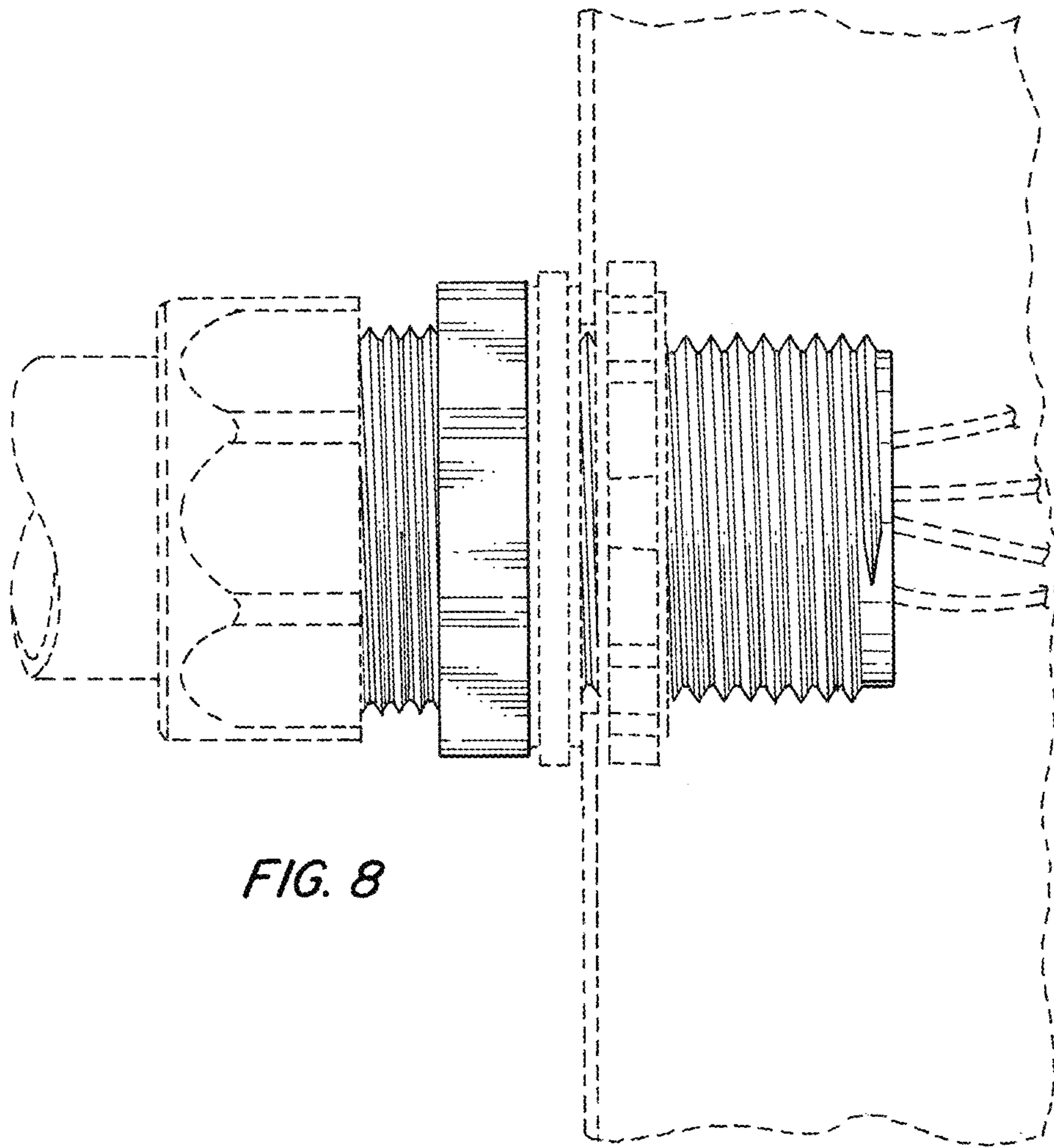


FIG. 8