



US00D787647S

(12) **United States Design Patent**  
**Eaton et al.**

(10) **Patent No.:** **US D787,647 S**  
(45) **Date of Patent:** **\*\* May 23, 2017**

- (54) **HAND TIGHTENED HYDRAULIC FITTING**
- (71) Applicant: **GATES CORPORATION**, Denver, CO (US)
- (72) Inventors: **Richard A. Eaton**, Sedalia, CO (US);  
**Keith E. Zulauf**, Castle Rock, CO (US); **Donald R. Gilbreath**, Castle Rock, CO (US)
- (73) Assignee: **Gates Corporation**, Denver, CO (US)
- (\*\*) Term: **15 Years**
- (21) Appl. No.: **29/533,966**
- (22) Filed: **Jul. 23, 2015**

**Related U.S. Application Data**

- (60) Division of application No. 29/449,856, filed on Mar. 15, 2013, now Pat. No. Des. 738,470, which is a continuation of application No. 13/675,109, filed on Nov. 13, 2012.
- (51) **LOC (10) Cl.** ..... **23-01**
- (52) **U.S. Cl.**  
USPC ..... **D23/259**
- (58) **Field of Classification Search**  
USPC ..... D23/233, 245, 259-269; 285/86-93  
See application file for complete search history.

(56) **References Cited**

**U.S. PATENT DOCUMENTS**

D32,963 S *	7/1900	Levering .....	D23/262
D118,575 S *	1/1940	Thomas, Jr. ....	D23/262
D206,045 S	10/1966	Baker	
3,446,245 A	5/1969	Snyder, Jr.	
D221,432 S *	8/1971	Dunlap .....	D23/262
D296,530 S	7/1988	Nowacki et al.	
D296,581 S *	7/1988	Hattori .....	D23/262
4,776,618 A	10/1988	Barree	

D299,267 S	1/1989	Roman	
4,802,695 A	2/1989	Weinhold	
D325,775 S	4/1992	Hayes	
D327,314 S *	6/1992	Hayes .....	D23/262
D334,617 S *	4/1993	Roman .....	D23/262
D347,263 S *	5/1994	Phillips .....	D23/231

(Continued)

*Primary Examiner* — Kevin Rudzinski

*Assistant Examiner* — John Reickel

(74) *Attorney, Agent, or Firm* — Paul N. Dunlap, Esq.;  
Jeffrey A. Thurnau, Esq.

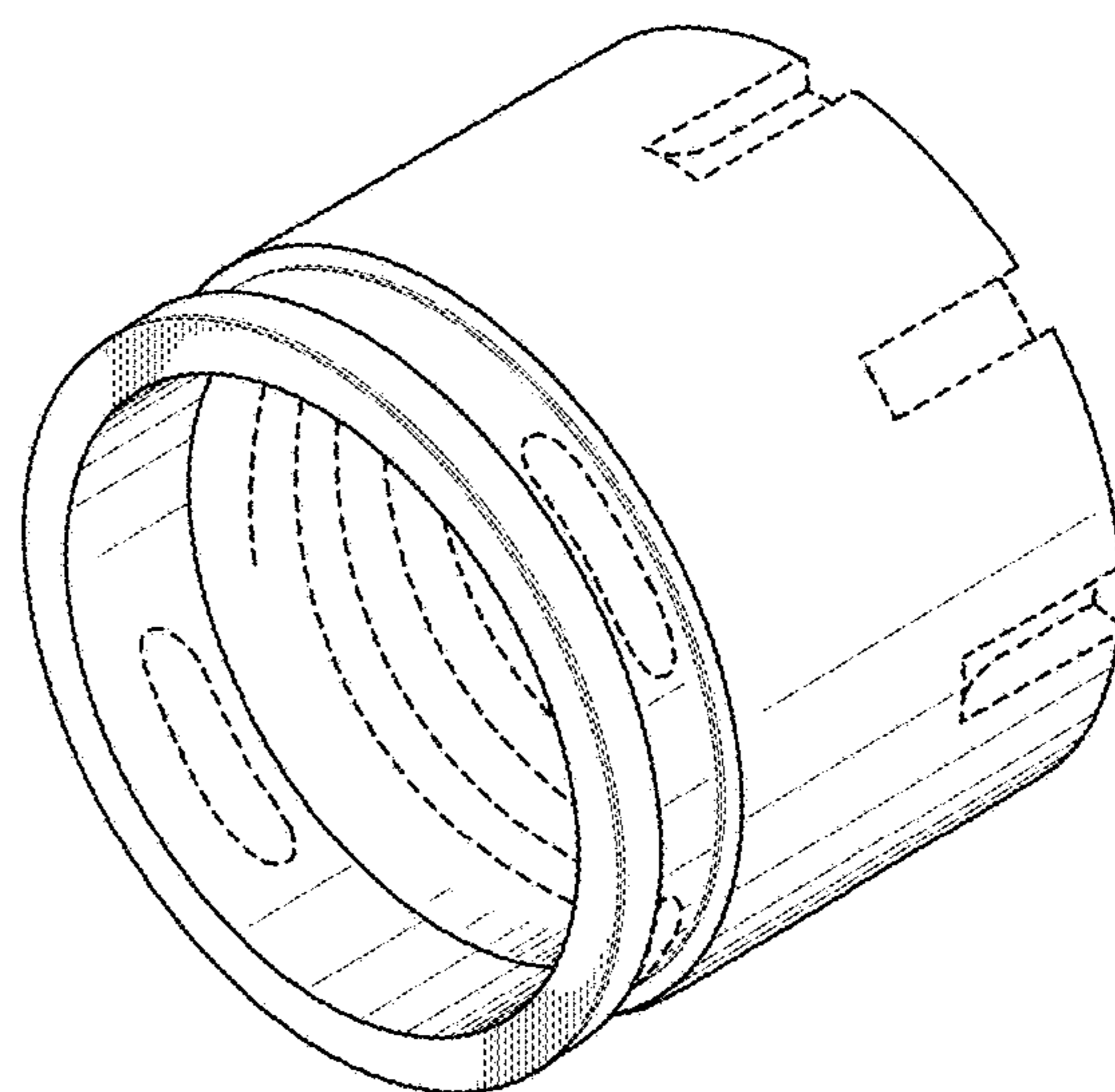
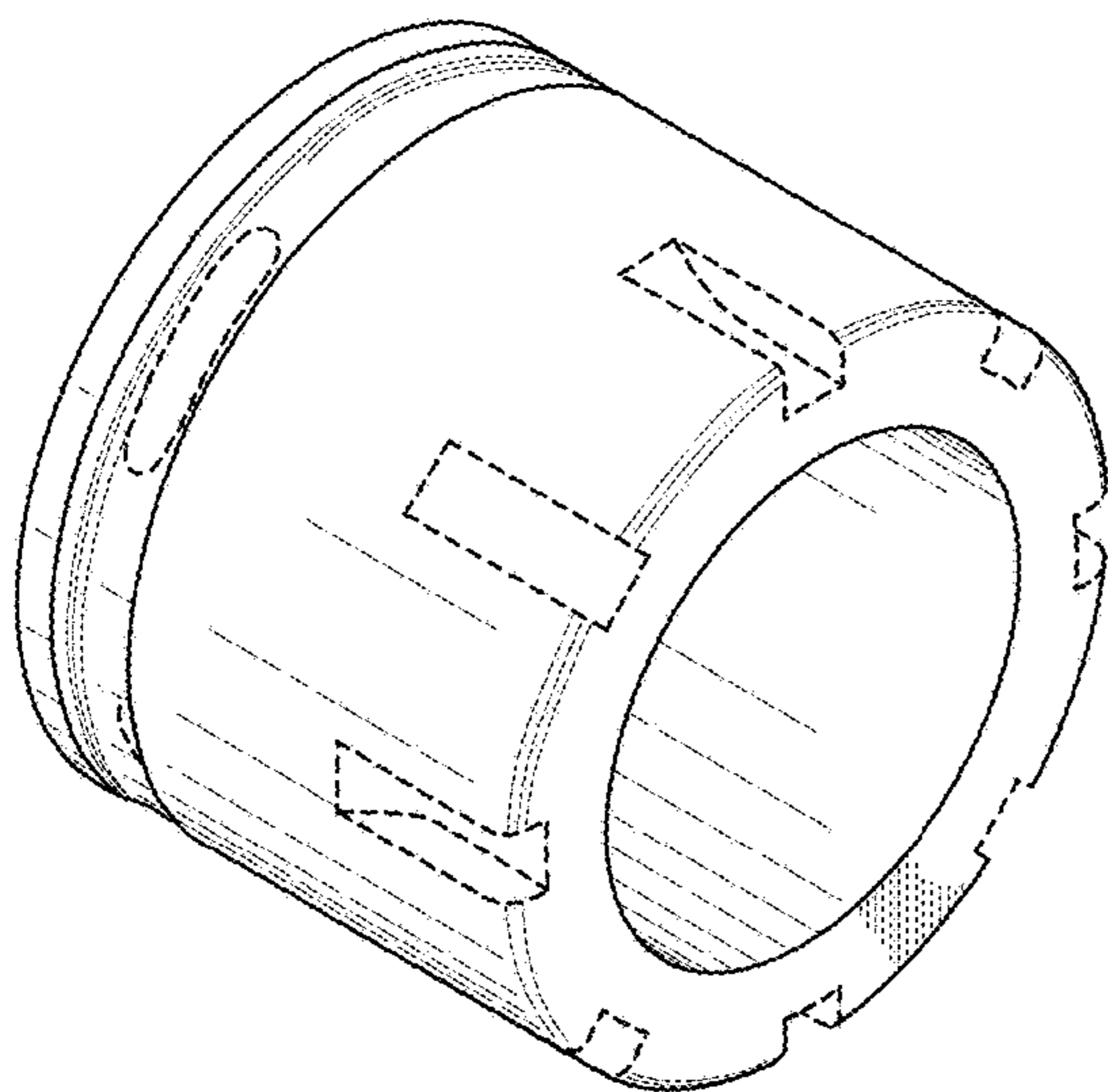
(57) **CLAIM**

The ornamental design for a hand tightened hydraulic fitting, as shown and described.

**DESCRIPTION**

FIG. 1 is a front perspective view of a hand tightened hydraulic fitting.  
 FIG. 2 is a rear perspective view of a hand tightened hydraulic fitting.  
 FIG. 3 is a front elevation view of a hand tightened hydraulic fitting.  
 FIG. 4 is a rear elevation view of a hand tightened hydraulic fitting.  
 FIG. 5 is a top plan view of a hand tightened hydraulic fitting.  
 FIG. 6 is a bottom plan view of a hand tightened hydraulic fitting.  
 FIG. 7 is a left side elevation view of a hand tightened hydraulic fitting.  
 FIG. 8 is a right side elevation view of a hand tightened hydraulic fitting; and,  
 FIG. 9 is a cross-sectional view of a hand tightened hydraulic fitting at line 9-9 in FIG. 3.  
 Broken lines are used to show portions of the hand tightened hydraulic fitting which form no part of the claim.

**1 Claim, 3 Drawing Sheets**



(56)

**References Cited**

U.S. PATENT DOCUMENTS

D375,843	S	*	11/1996	Wolfenden	.....	D4/199
D410,529	S		6/1999	Taylor		
5,957,509	A		9/1999	Komolrochanaporn		
D419,652	S	*	1/2000	Hall	.....	D23/259
D433,928	S		11/2000	Alcone		
D439,637	S	*	3/2001	Davies	.....	D23/262
D463,537	S	*	9/2002	Kozu	.....	D23/233
D595,750	S		7/2009	Ericksson et al.		
D648,005	S	*	11/2011	Morishita	.....	D23/259
D648,006	S	*	11/2011	Morishita	.....	D23/259
D648,008	S	*	11/2011	Percoco	.....	D23/262
8,657,343	B2	*	2/2014	Rodenberg	.....	F16L 37/0915 285/319
D711,516	S	*	8/2014	Guest	.....	D23/262
8,857,863	B1		10/2014	Patin et al.		
D736,358	S	*	8/2015	Melo	.....	D23/262
D741,457	S	*	10/2015	Guest	.....	D23/262
D745,117	S	*	12/2015	Ramey	.....	D23/262
2004/0061331	A1		4/2004	Murken		
2009/0315324	A1		12/2009	Molloy		
2012/0085443	A1		4/2012	Ellis et al.		
2012/0086201	A1		4/2012	Murken		
2013/0161941	A1		6/2013	Zulauf et al.		

\* cited by examiner

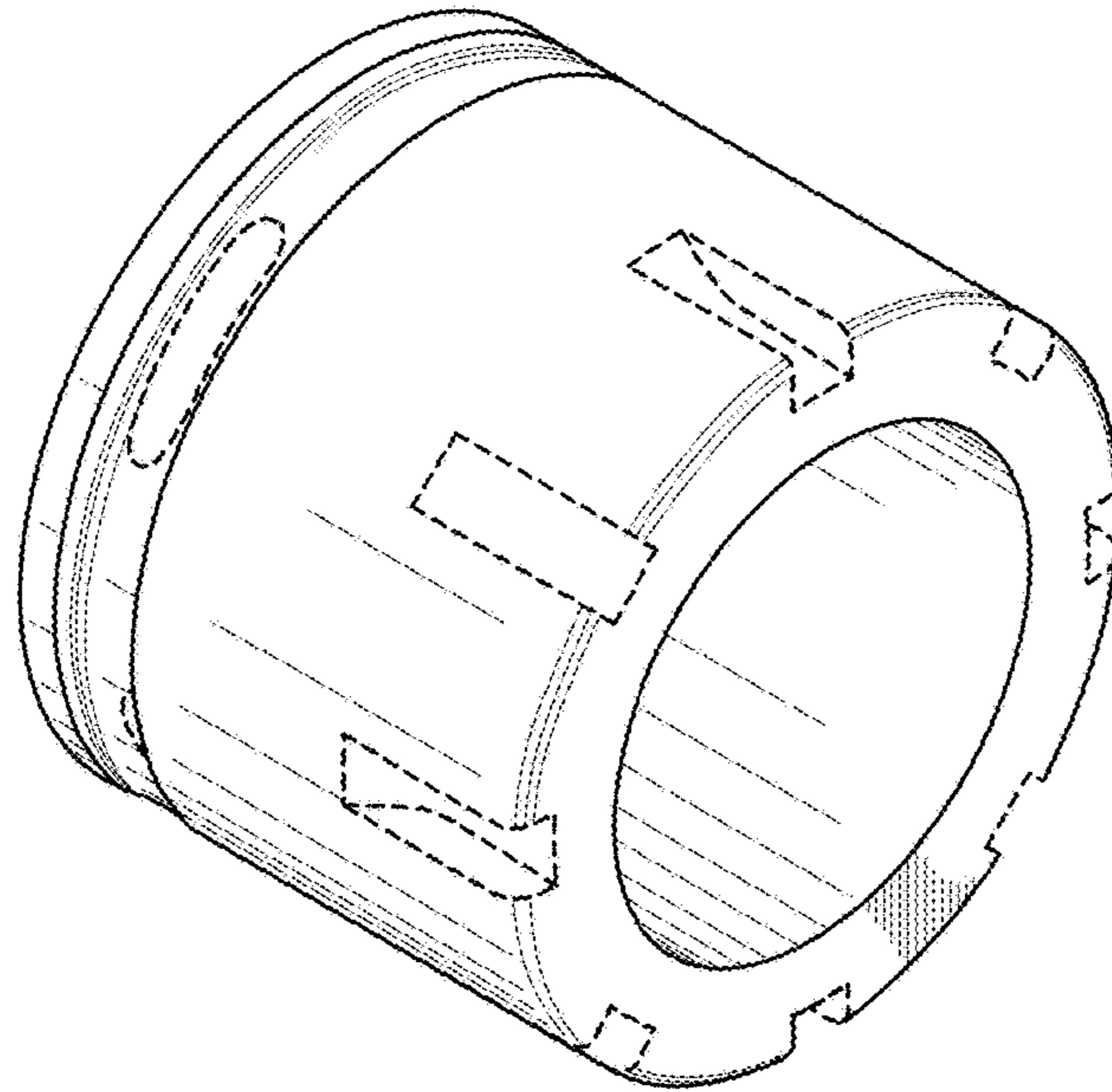


FIG. 1

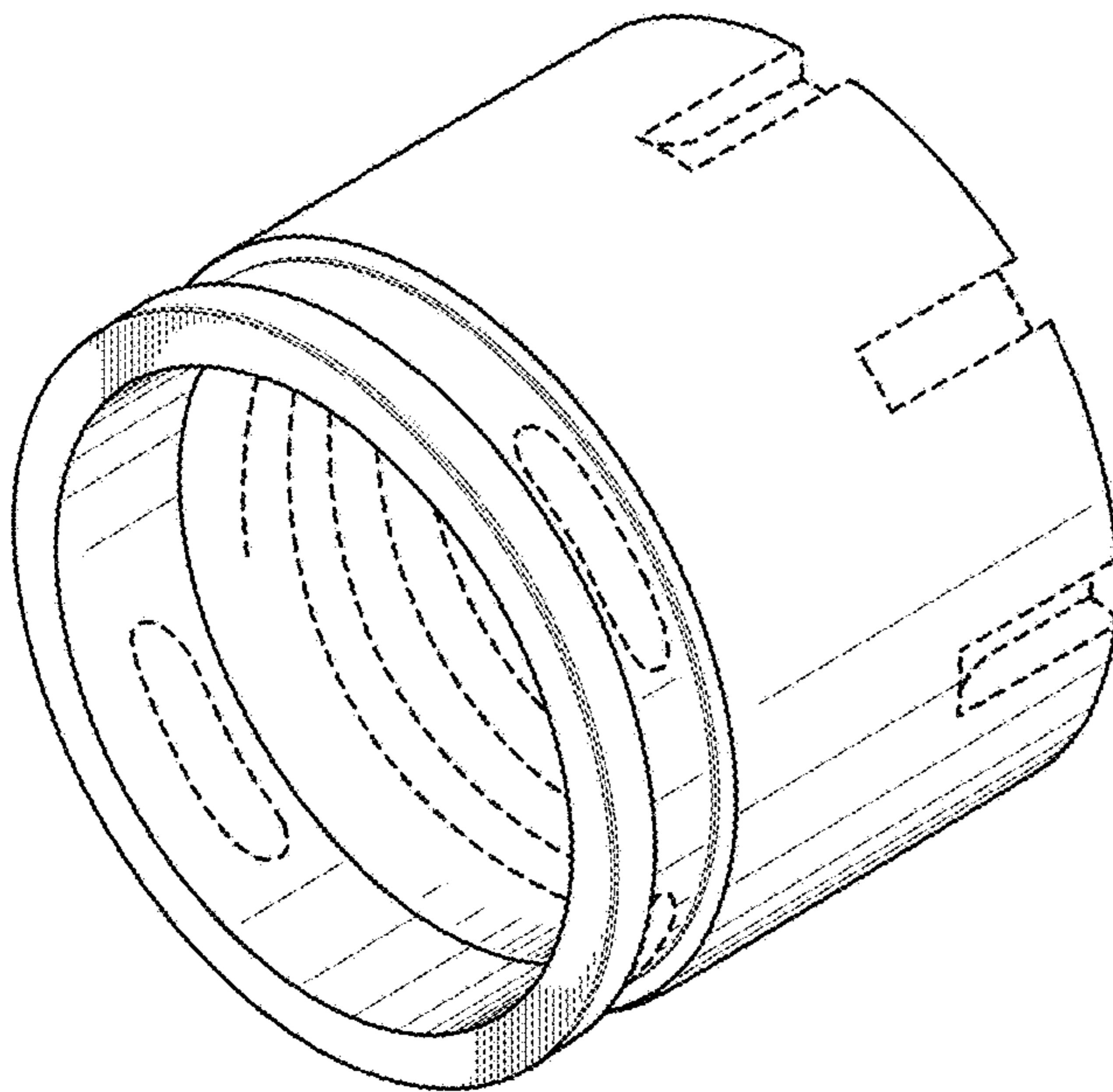


FIG. 2

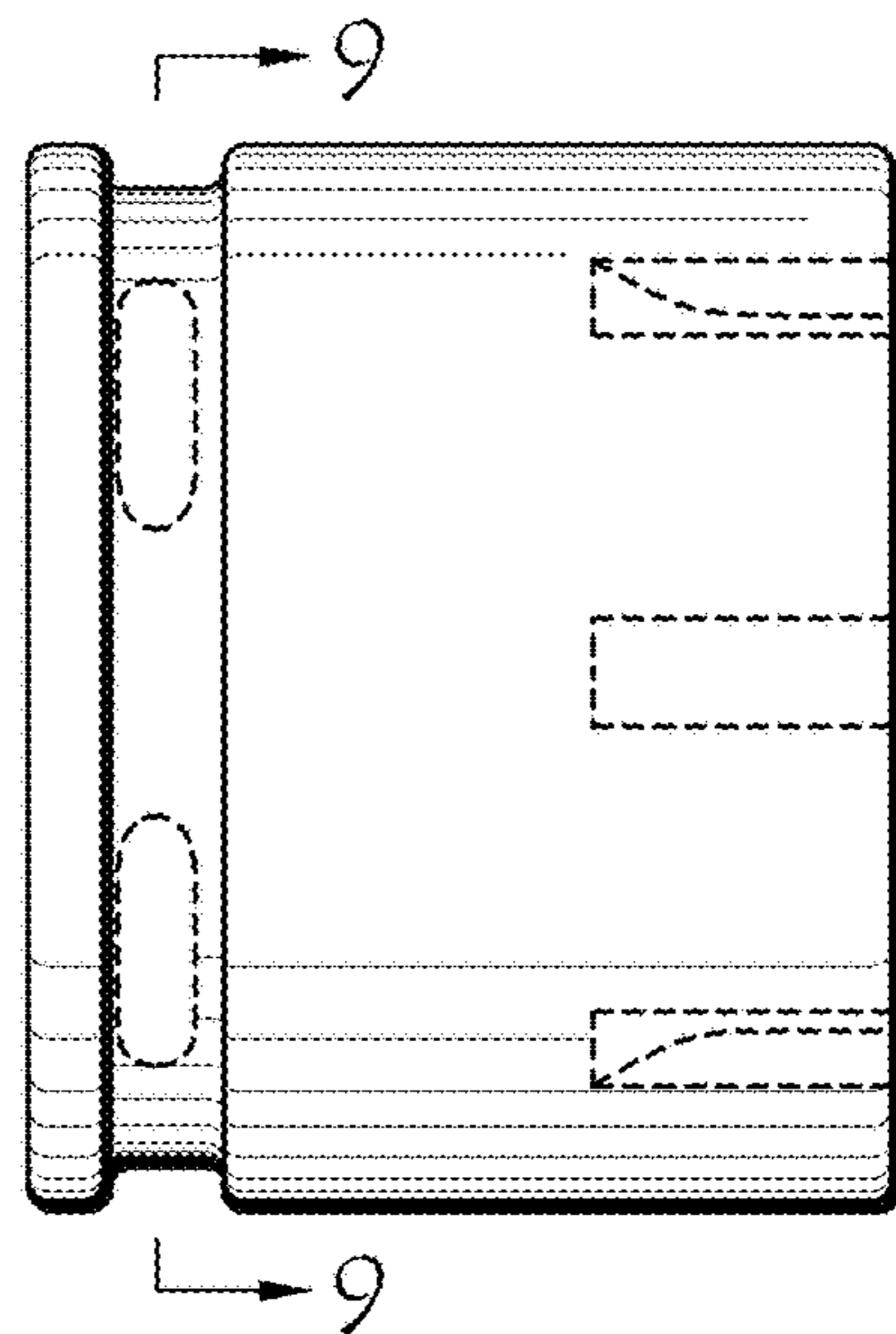


FIG. 3

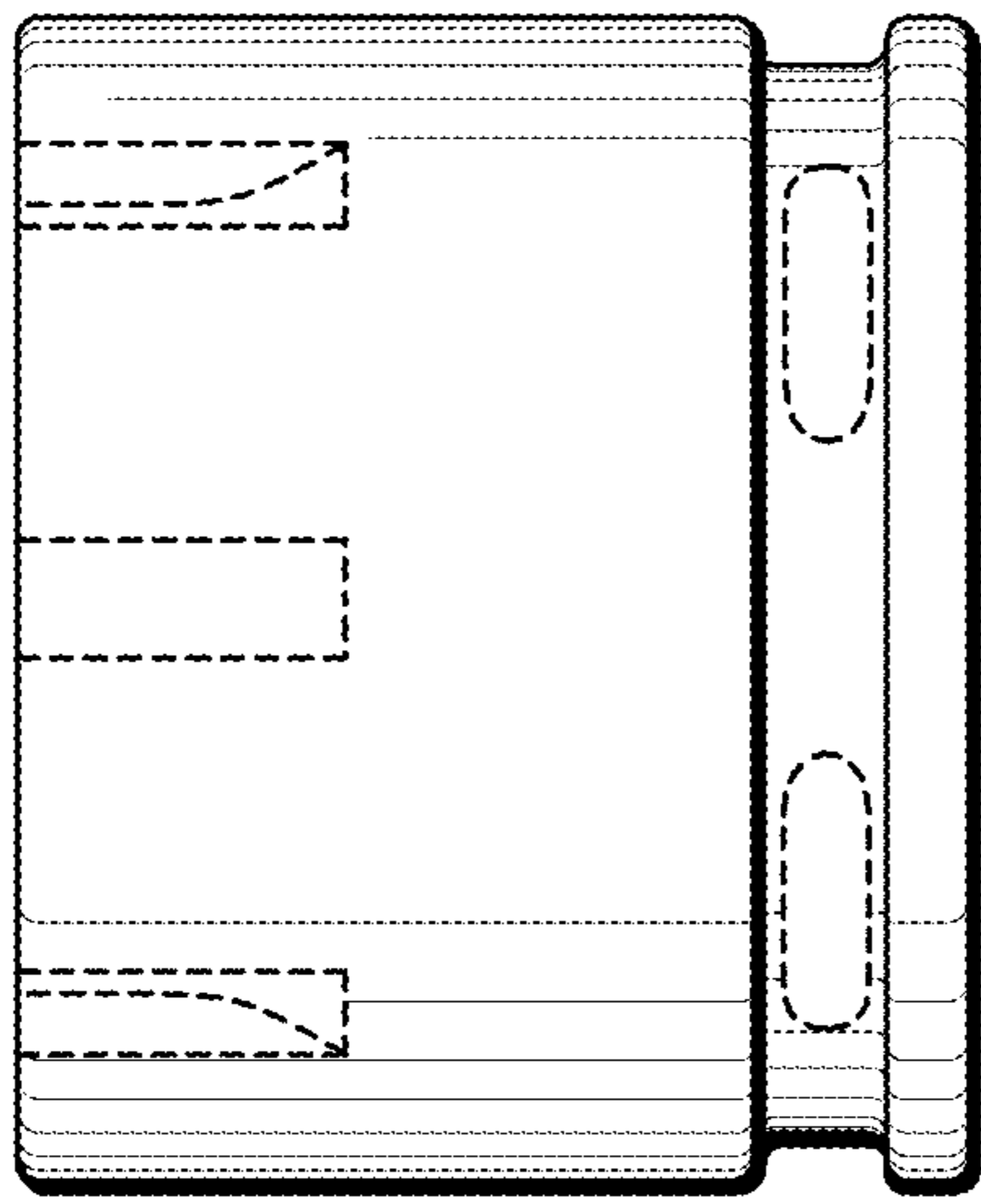


FIG. 4

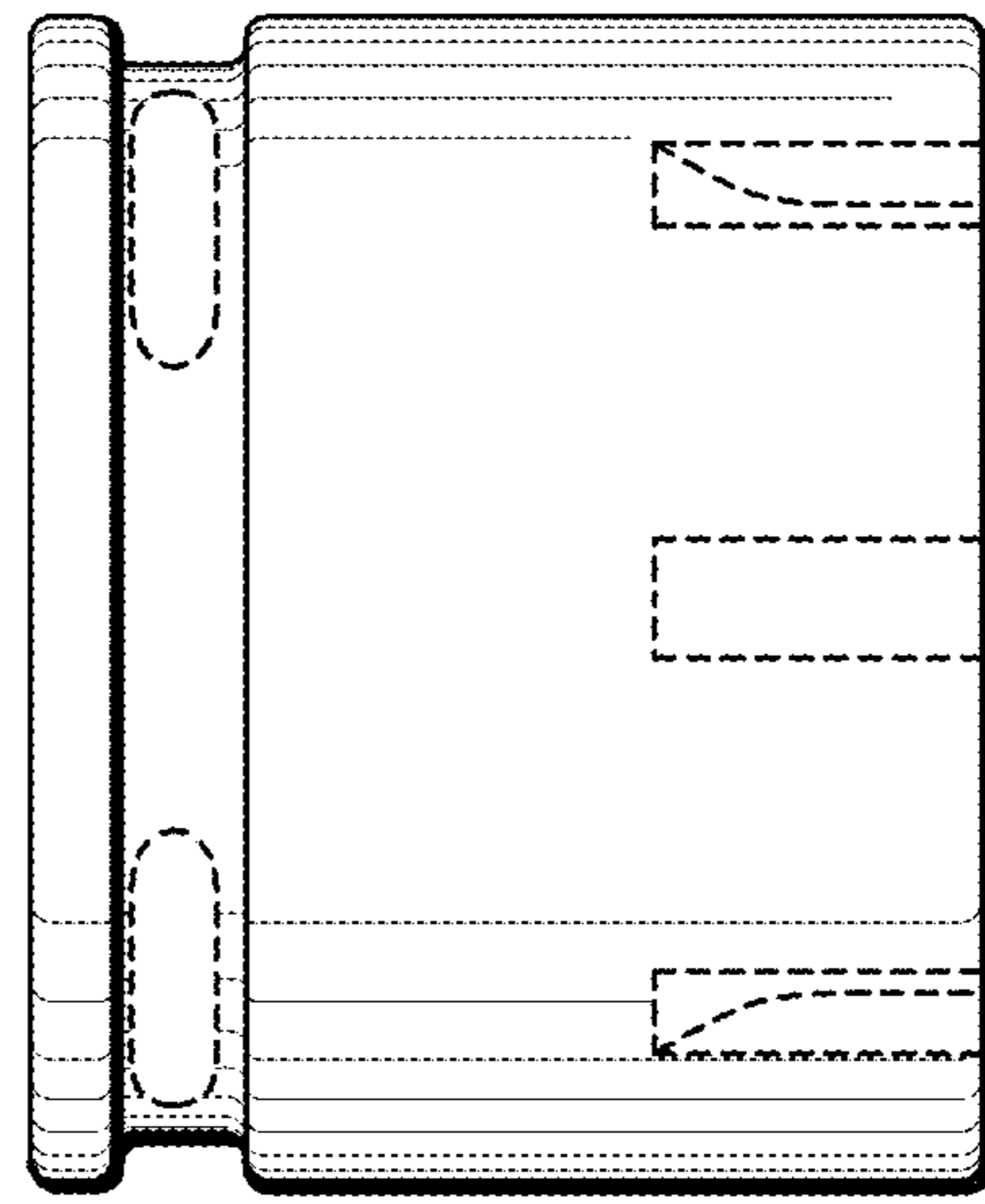


FIG. 5

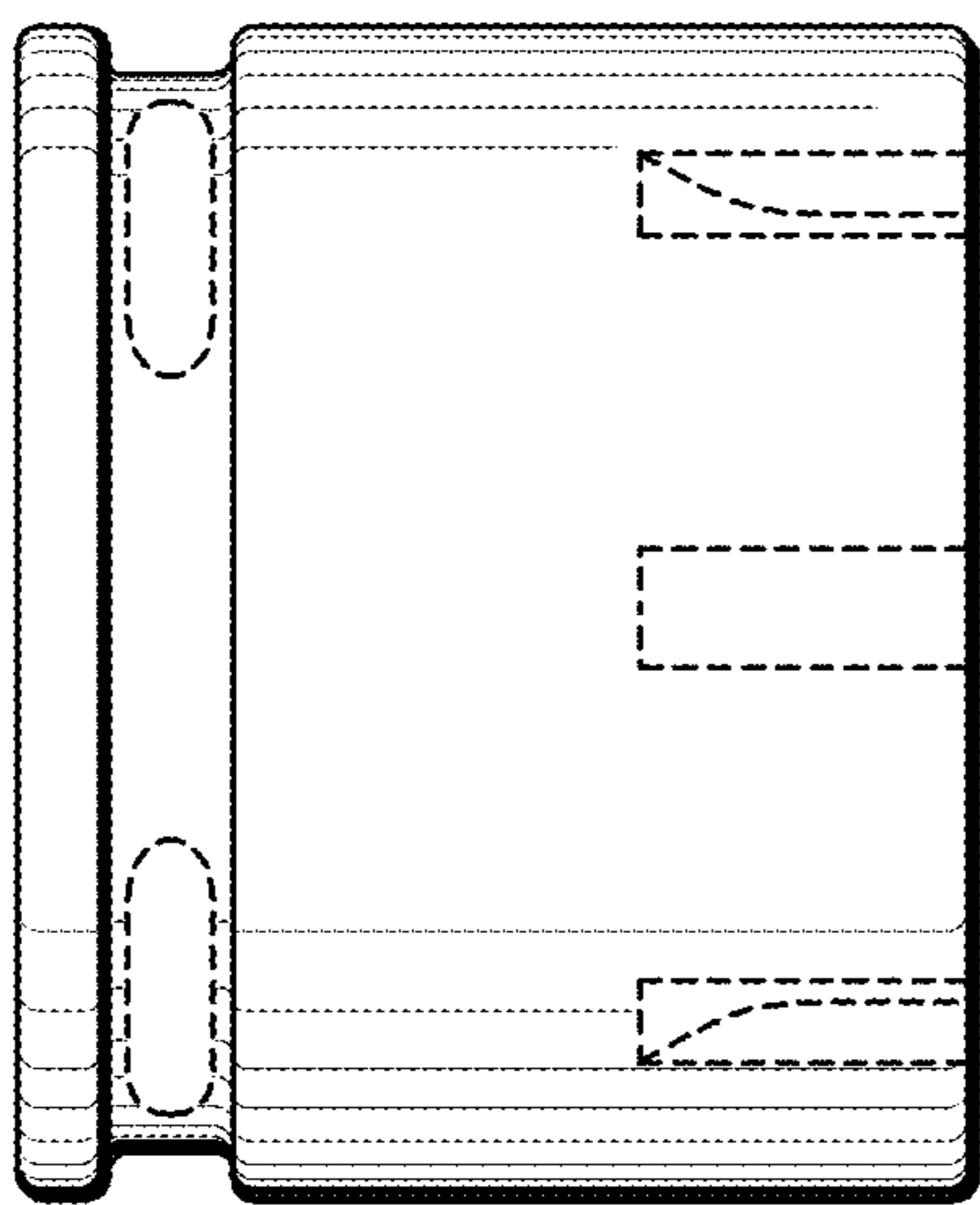


FIG. 6

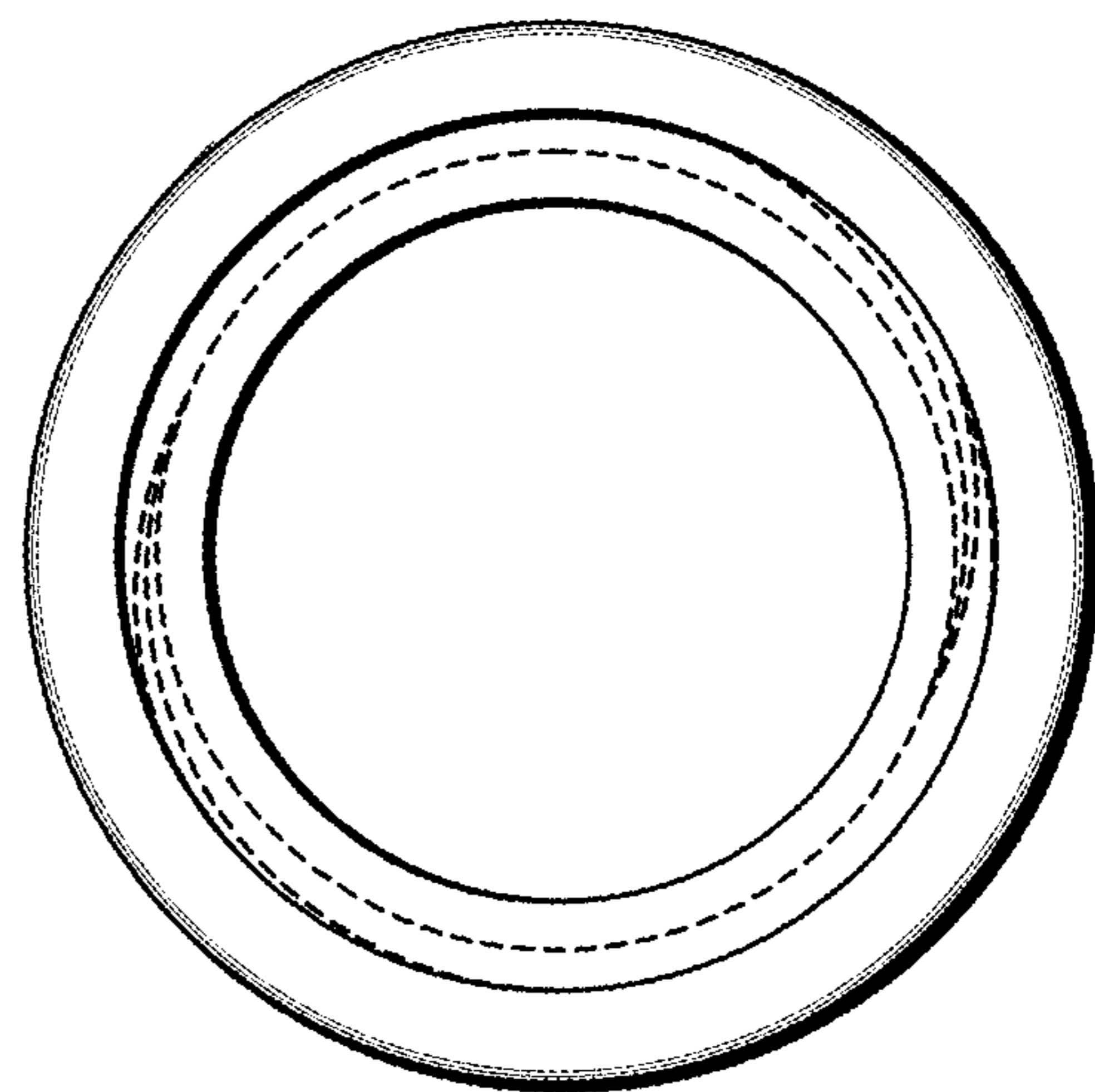


FIG. 7

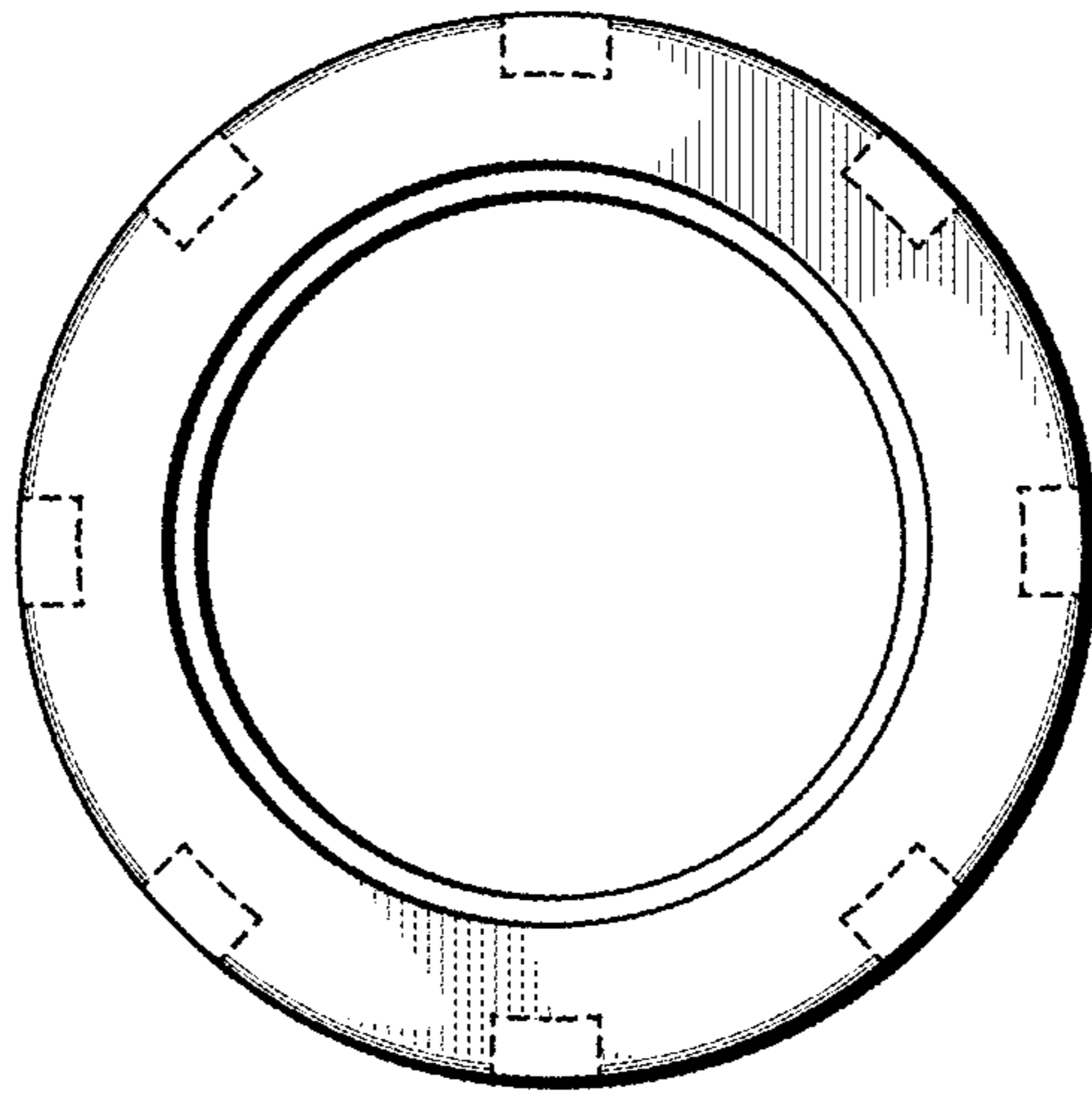


FIG. 8

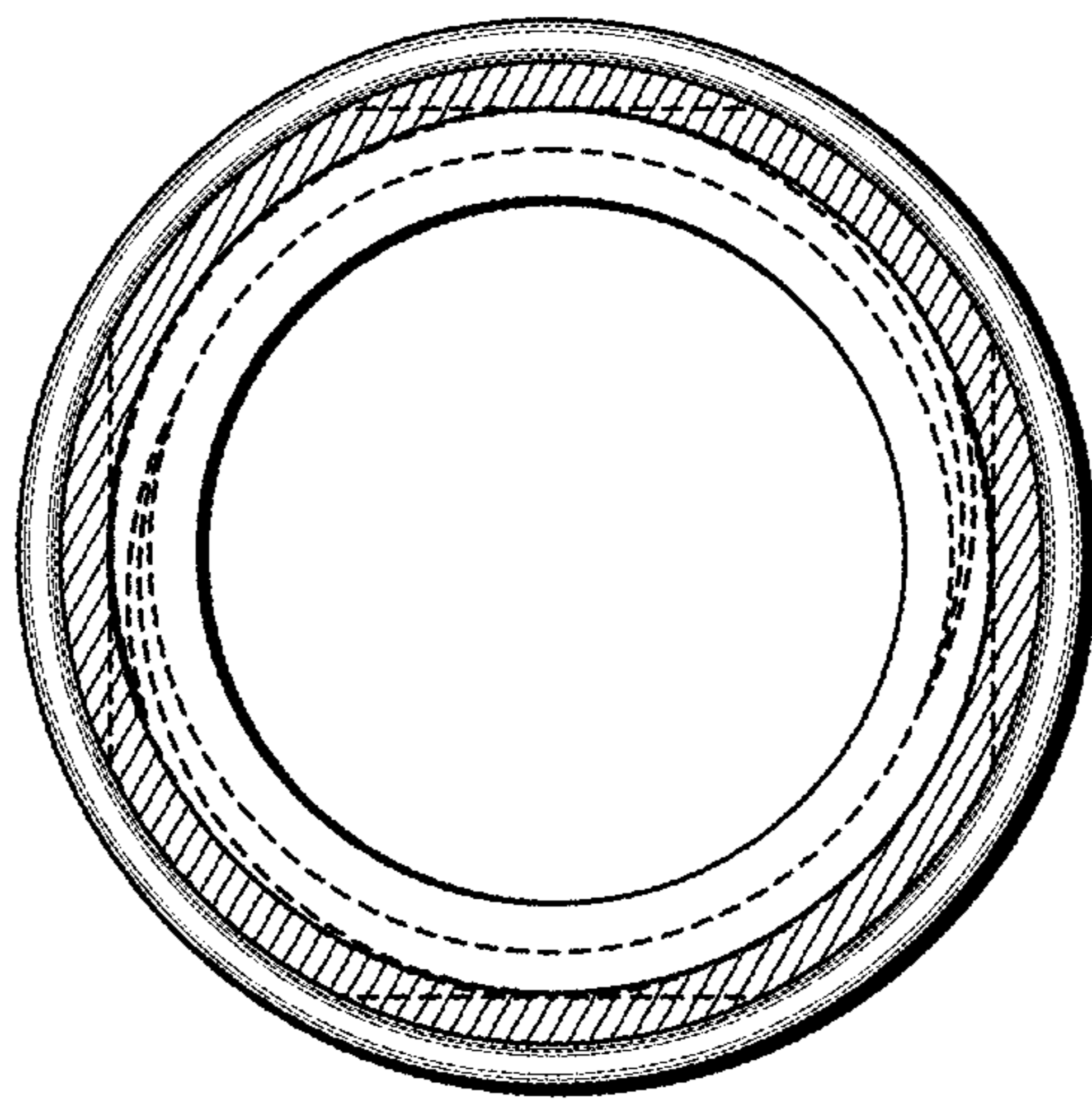


FIG. 9