



US00D787646S

(12) **United States Design Patent** (10) **Patent No.:** **US D787,646 S**
Davis et al. (45) **Date of Patent:** **** May 23, 2017**

- (54) **FLUSH VALVE DIAPHRAGM**
- (71) Applicant: **Zurn Industries, LLC**, Milwaukee, WI (US)
- (72) Inventors: **Matthew C. Davis**, Raleigh, NC (US);
Michael A. Funari, Apex, NC (US);
John Kevin Schoolcraft, Sanford, NC (US)
- (73) Assignee: **Zurn Industries, LLC**, Milwaukee, WI (US)
- (**) Term: **14 Years**
- (21) Appl. No.: **29/502,148**
- (22) Filed: **Sep. 12, 2014**
- (51) **LOC (10) Cl.** **23-01**
- (52) **U.S. Cl.**
USPC **D23/259**
- (58) **Field of Classification Search**
USPC D23/259-263, 266-269, 233, 249, 254;
251/215, 216; 285/369, 372, 373, 417,
285/133.11, 133.3, 133.21, 133.4, 133.5,
285/133.6
CPC F16L 11/00; F16L 37/252; F16L 41/007;
E03C 1/26; E03C 1/262; E03C 1/28;
E03F 5/04; A61B 5/00; A61M 25/09016
See application file for complete search history.

- 1,998,155 A 4/1935 Cadwell et al.
- 2,007,677 A 7/1935 Farmer
- 2,066,086 A 12/1936 Wilson
- 2,217,166 A 10/1940 Groeniger
- 2,270,259 A 1/1942 Burke
- 2,283,973 A 5/1942 Criss
- 2,427,441 A 9/1947 Butts
- 2,630,831 A 3/1953 Arnold
- 2,840,339 A 6/1958 Price
- 2,916,251 A 12/1959 Butts
- 3,011,751 A 12/1961 Delany et al.
- 3,083,943 A 4/1963 Stewart, Jr. et al.
- 3,154,288 A 10/1964 Tripoli
- 3,166,289 A 1/1965 Engstrom
- 3,279,742 A 10/1966 Billeter
- 3,291,439 A 12/1966 Goldstein
- 3,347,519 A 10/1967 Engstrom
- 3,399,860 A 9/1968 Billeter et al.
- 3,656,499 A 4/1972 Nelson et al.

(Continued)

Primary Examiner — Sandra Snapp

(74) *Attorney, Agent, or Firm* — Quarles & Brady LLP

(56) **References Cited**

U.S. PATENT DOCUMENTS

- 1,473,173 A 11/1923 Brinkerhoff
- 1,689,540 A 10/1928 Watrous
- 1,798,246 A * 3/1931 Braner F16J 15/128
277/598
- 1,803,418 A 5/1931 White
- 1,836,976 A 12/1931 Krause
- 1,912,937 A 6/1933 George
- 1,964,111 A 6/1934 Dobrick

(57) **CLAIM**

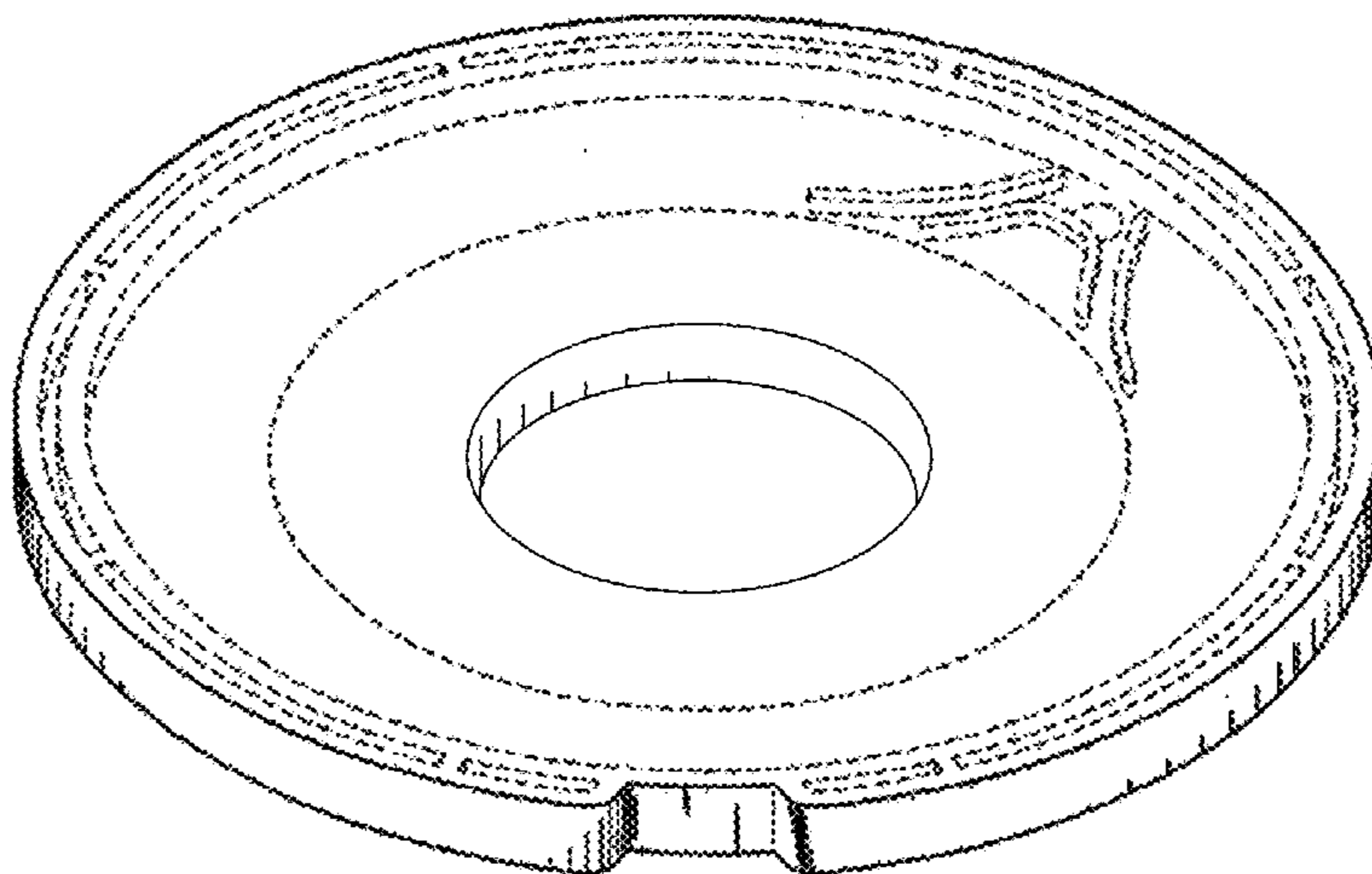
The ornamental design for a flush valve diaphragm, as shown and described.

DESCRIPTION

FIG. 1 is an upper perspective view of a flush valve diaphragm, showing our new design; FIG. 2 is a bottom view thereof; FIG. 3 is a top view thereof; FIG. 4 is a right side view thereof; FIG. 5 is a left side view thereof; FIG. 6 is is a rear view thereof; FIG. 7 is a front view thereof; and, FIG. 8 is an upper perspective view thereof in a configuration of use.

The broken line showings of FIGS. 1-8 are environmental only and not part of the claimed design.

1 Claim, 6 Drawing Sheets



(56)

References Cited

U.S. PATENT DOCUMENTS

3,732,884 A	5/1973	Strom	6,616,119 B2	9/2003	Wilson
3,791,618 A	2/1974	Nelson et al.	6,719,268 B2	4/2004	Fukano et al.
4,022,114 A	5/1977	Hansen, III et al.	6,913,239 B2	7/2005	Nortier
D268,048 S *	2/1983	Ueda D23/248	6,926,247 B2	8/2005	Nortier
D290,640 S *	6/1987	Andersson D23/249	7,063,304 B2	6/2006	Leys
4,883,254 A	11/1989	Whiteside	7,556,237 B2	7/2009	Johnson
4,910,811 A *	3/1990	Izzi, Sr. E03F 5/0407 210/163	7,607,635 B2	10/2009	Wilson
			D631,945 S *	2/2011	Shorey D23/233
4,913,182 A	4/1990	Whiteside	7,980,528 B2	7/2011	Wilson
4,971,287 A	11/1990	Shaw	8,172,275 B2	5/2012	Sumrall, Jr. et al.
D316,292 S	4/1991	Baker	8,235,352 B2	8/2012	Irwin et al.
5,150,877 A	9/1992	Whiteside	8,286,934 B2	10/2012	Wilson
5,232,194 A	8/1993	Saadi et al.	8,297,296 B2	10/2012	O'Connor et al.
5,295,655 A	3/1994	Wilson et al.	D681,176 S *	4/2013	Chacko D23/269
5,332,192 A	7/1994	Whiteside	D715,409 S *	10/2014	Raimondi D23/259
5,335,694 A	8/1994	Whiteside	D728,758 S *	5/2015	Coronado D23/269
5,415,374 A	5/1995	Carroll et al.	D730,734 S *	6/2015	Rapparini D9/454
5,431,181 A	7/1995	Saadi et al.	2004/0239021 A1	12/2004	Itoh et al.
5,465,748 A	11/1995	Bowers	2005/0087710 A1	4/2005	Nortier
5,649,686 A	7/1997	Wilson	2005/0224735 A1	10/2005	Funari et al.
D391,628 S *	3/1998	Carwile D23/269	2007/0161940 A1	7/2007	Blanchard et al.
6,047,953 A	4/2000	Jacob, Jr.	2008/0006788 A1	1/2008	Johnson
6,105,926 A	8/2000	Oliver et al.	2008/0006789 A1	1/2008	Johnson
D435,090 S *	12/2000	Stout, Jr. D23/269	2008/0196159 A1	8/2008	Lee
6,183,636 B1	2/2001	Bowers et al.	2008/0290311 A1	11/2008	O'Connor et al.
6,550,744 B2	4/2003	Nortier	2009/0039299 A1	2/2009	Wilson
6,616,118 B2	9/2003	Nortier	2009/0284005 A1	11/2009	Sumrall, Jr. et al.
			2011/0150602 A1	6/2011	Sieper et al.
			2011/0186163 A1	8/2011	Farag
			2011/0248197 A1	10/2011	Wilson

* cited by examiner

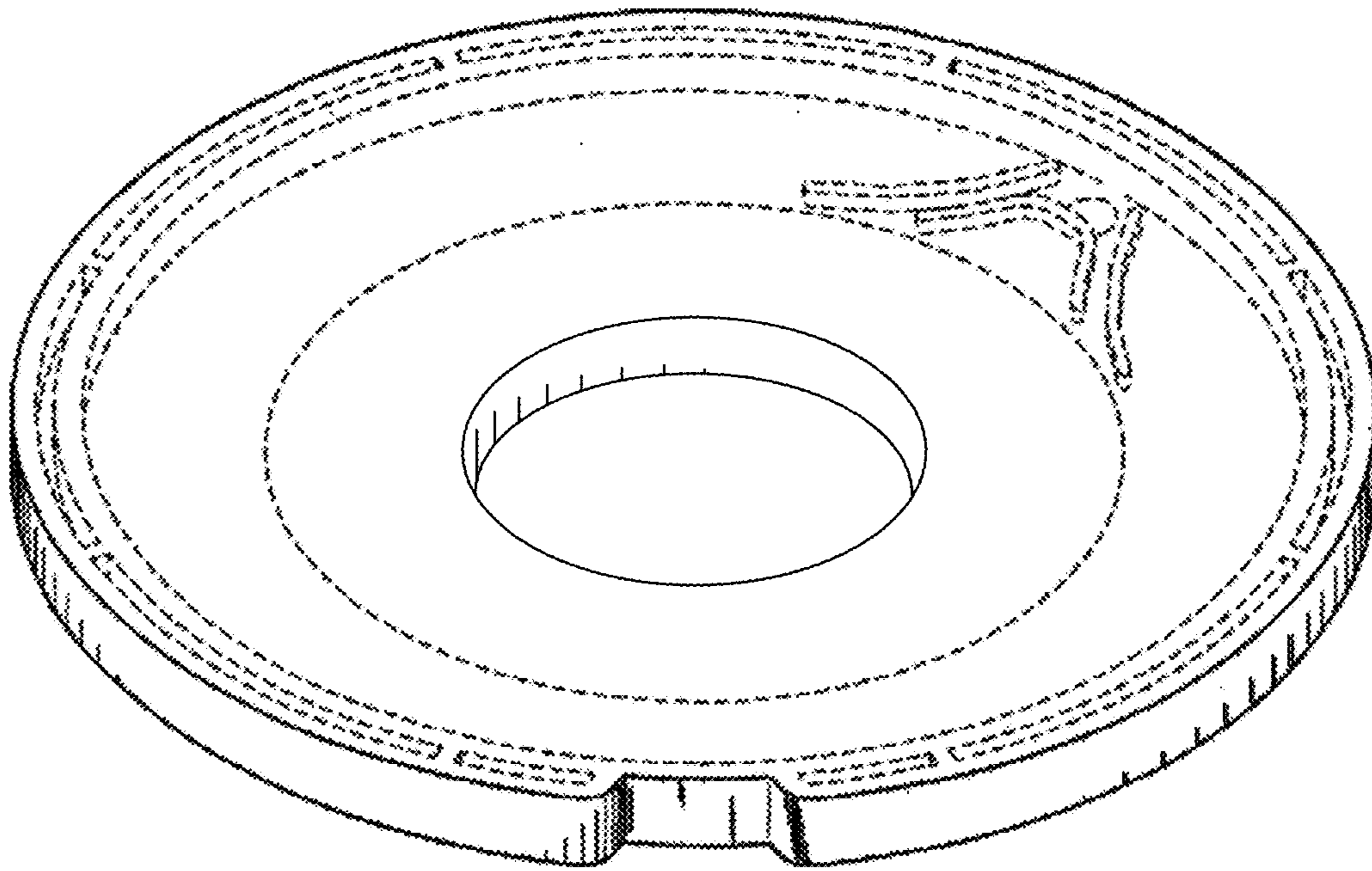


FIG. 1

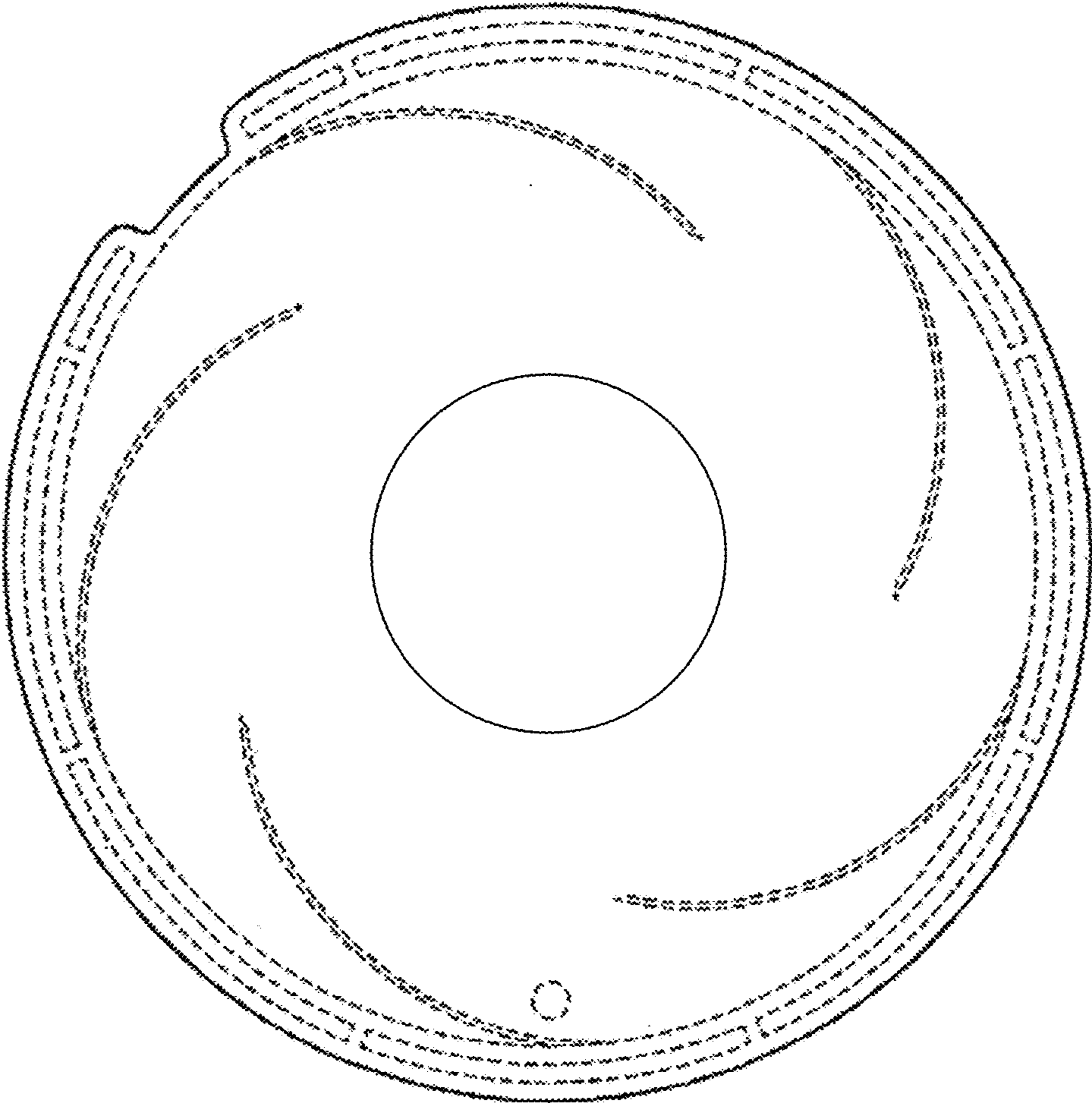


FIG. 2

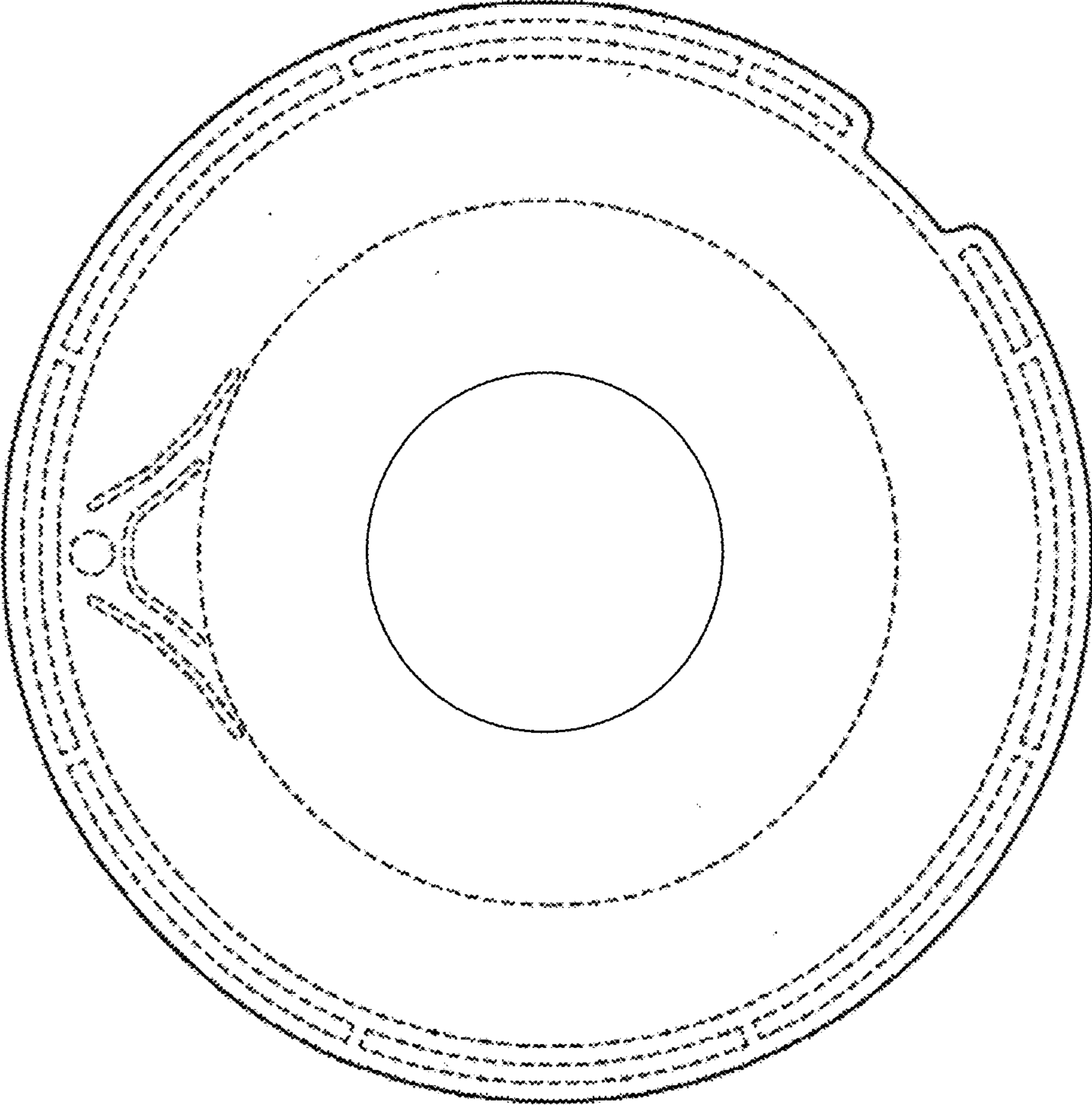


FIG. 3



FIG. 4



FIG. 5



FIG. 6

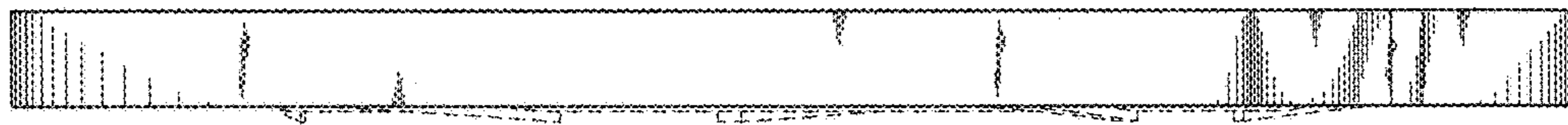


FIG. 7

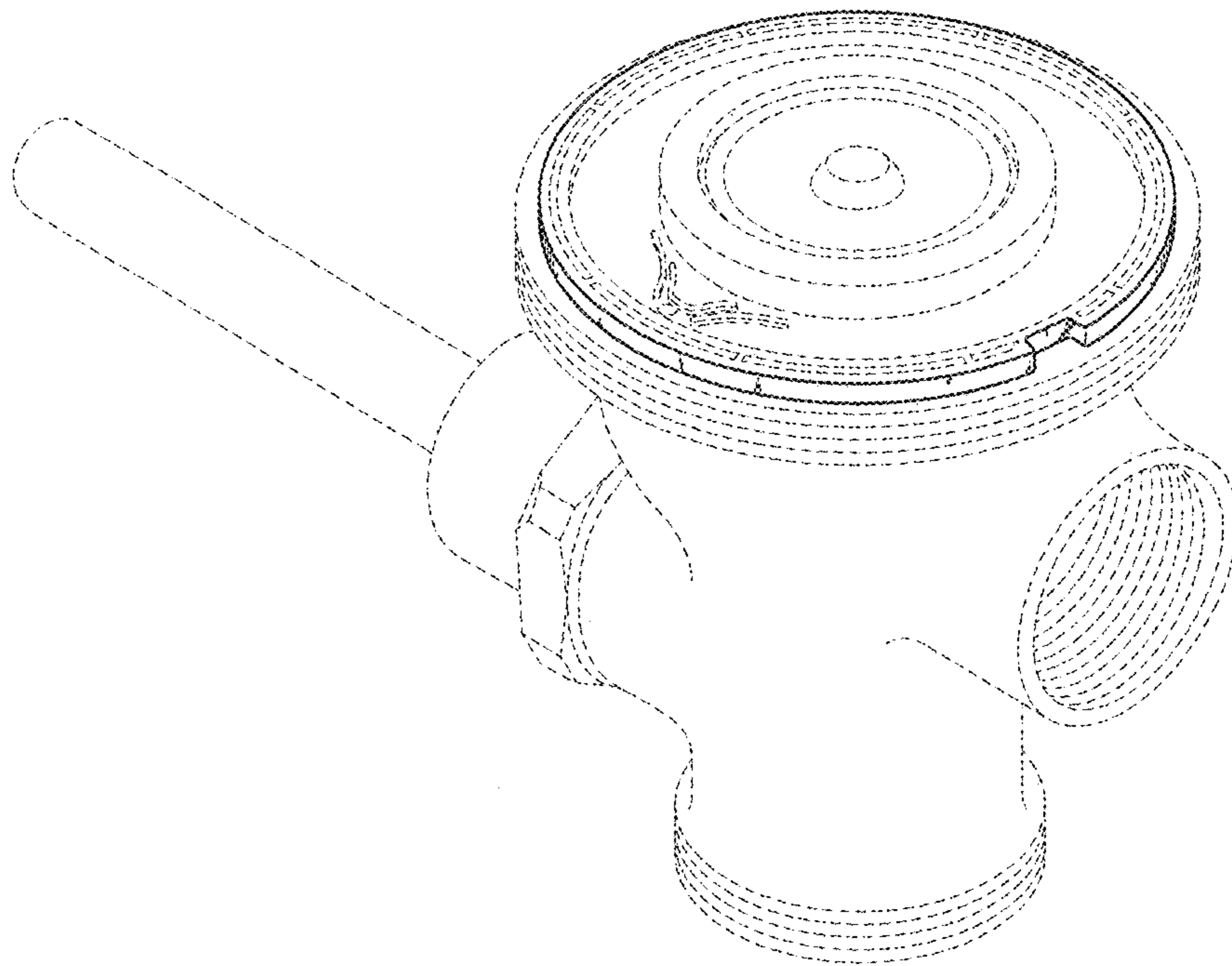


FIG. 8