



US00D787645S

(12) **United States Design Patent**  
**Kirar et al.**

(10) **Patent No.:** **US D787,645 S**

(45) **Date of Patent:** **\*\* May 23, 2017**

- (54) **FAUCET**
- (71) Applicant: **Kohler Co.**, Kohler, WI (US)
- (72) Inventors: **Laura K. Kirar**, Miami Beach, FL (US); **William C. McKeone**, Sheboygan, WI (US)
- (73) Assignee: **KOHLER CO.**, Kohler, WI (US)
- (\*\*) Term: **15 Years**
- (21) Appl. No.: **29/540,143**
- (22) Filed: **Sep. 21, 2015**
- (51) **LOC (10) Cl.** ..... **23-01**
- (52) **U.S. Cl.**  
USPC ..... **D23/257**
- (58) **Field of Classification Search**  
USPC ..... D23/238–243, 249, 255, 257  
CPC ..... E03C 1/04; E03C 1/0401; E03C 1/0402;  
E03C 1/0404; F16K 31/602; F16K  
31/605; F16K 31/607  
See application file for complete search history.

- D581,025 S \* 11/2008 Schonherr ..... D23/255
- D619,872 S 7/2010 Singtoroj
- D666,277 S 8/2012 Schaefer
- 8,235,431 B2 8/2012 Williamson
- D684,669 S 6/2013 Eilmus
- D685,878 S \* 7/2013 Fritz ..... D23/238
- D714,912 S 10/2014 Barry
- D741,453 S \* 10/2015 Bahler ..... D23/238

\* cited by examiner

*Primary Examiner* — Robert Delehanty

(74) *Attorney, Agent, or Firm* — Foley & Lardner LLP

(57) **CLAIM**

We claim the ornamental design for a faucet, as shown and described.

**DESCRIPTION**

FIG. 1 is a perspective view of an embodiment of the claimed design;  
FIG. 2 is a front view thereof;  
FIG. 3 is a rear view thereof;  
FIG. 4 is a side view thereof;  
FIG. 5 is a top view thereof; and,  
FIG. 6 is a bottom view thereof.

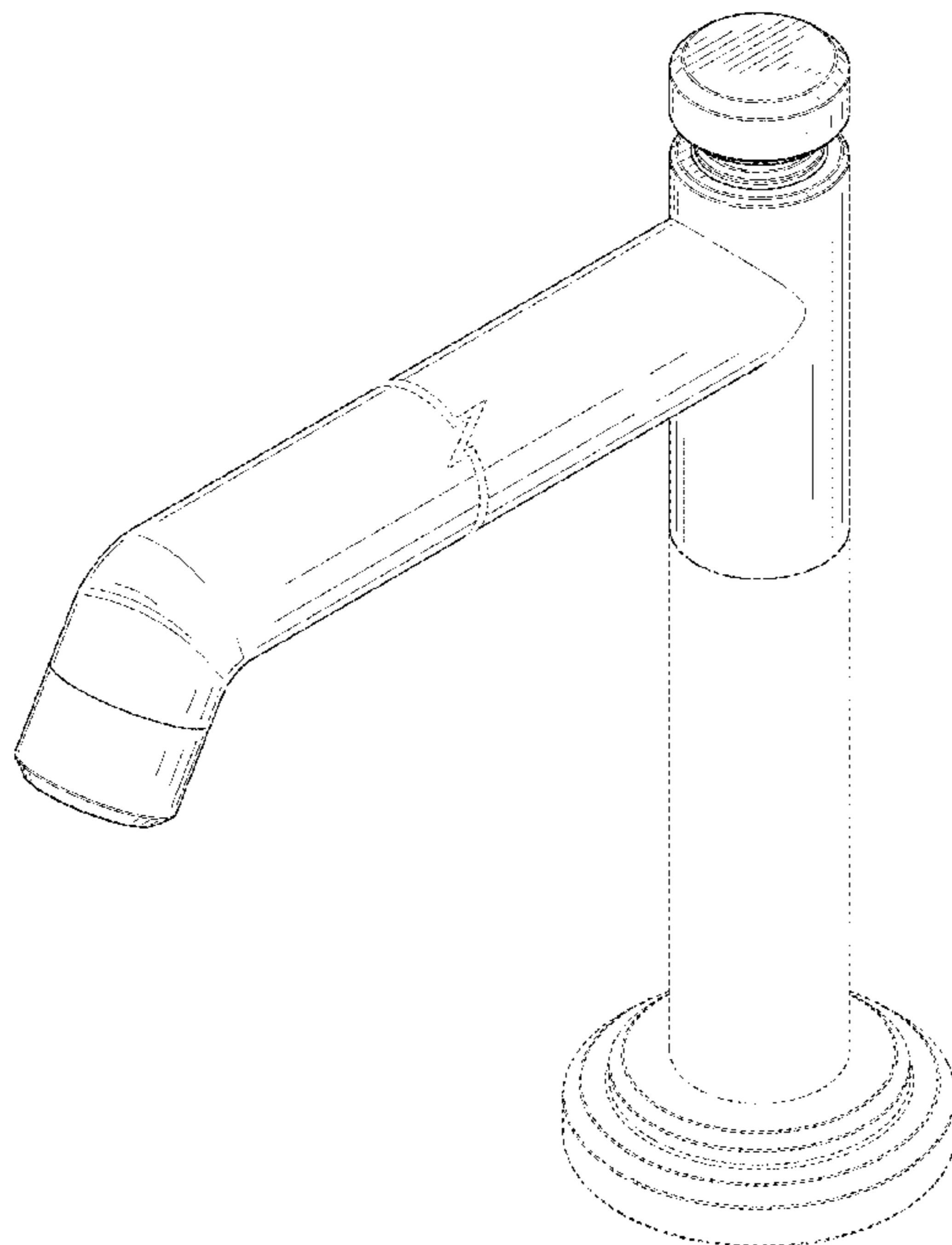
The ornamental design which is claimed is shown in solid lines in the drawings. The broken lines in the drawings form no part of the claimed design. Broken lines formed by equal length dashes show unclaimed subject matter. Broken lines formed of unequal length dashes (i.e., dash-dot) define bounds of the claimed design. Broken away symbols having a jagged element show that no particular length of the portion is claimed.

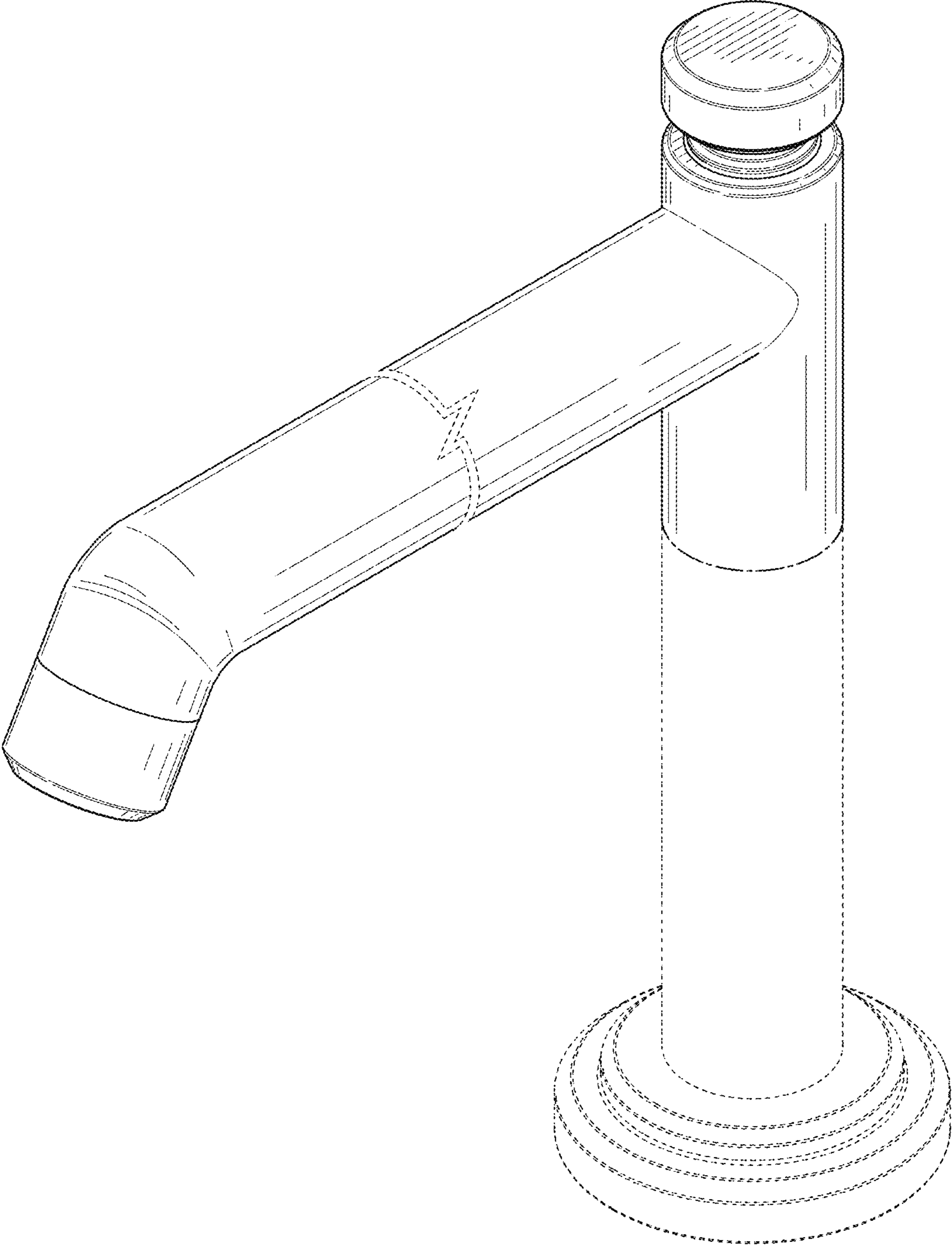
**1 Claim, 6 Drawing Sheets**

(56) **References Cited**

**U.S. PATENT DOCUMENTS**

- D318,904 S 8/1991 Hartkopf
- D334,230 S 3/1993 Bonnell
- D384,401 S 9/1997 Doughty
- D522,102 S 5/2006 Fritz
- D524,140 S 7/2006 Kirar
- D531,267 S 10/2006 Hundley
- D532,866 S 11/2006 Kirar
- D533,924 S 12/2006 Kirar
- D564,634 S \* 3/2008 Kirar ..... D23/250
- D570,453 S 6/2008 Tsai





**FIG. 1**

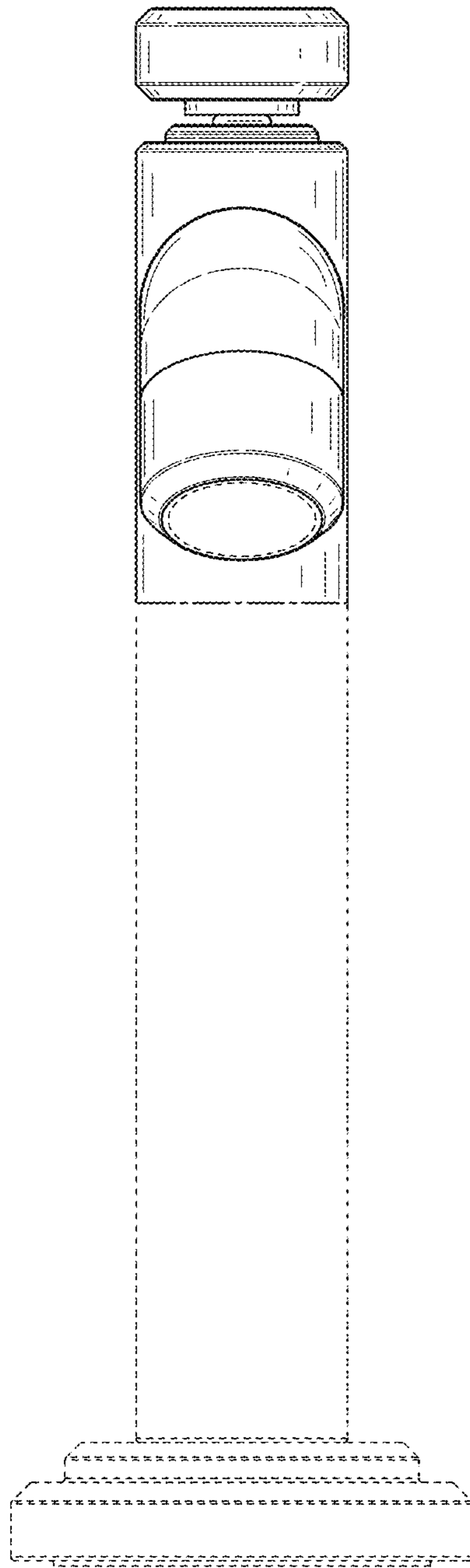
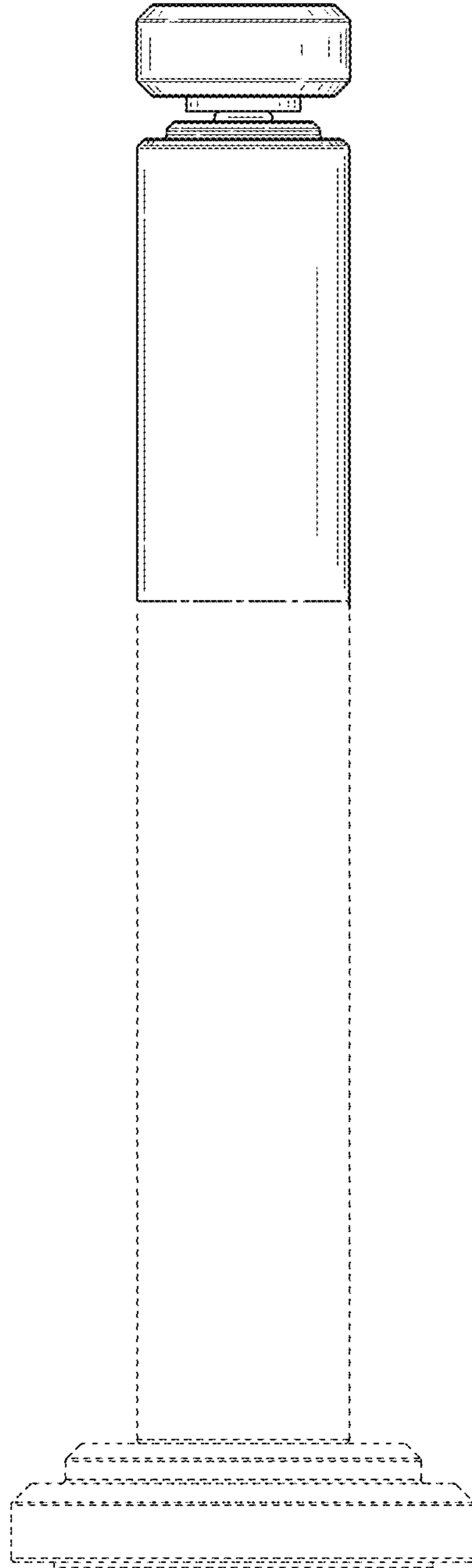


FIG. 2



**FIG. 3**

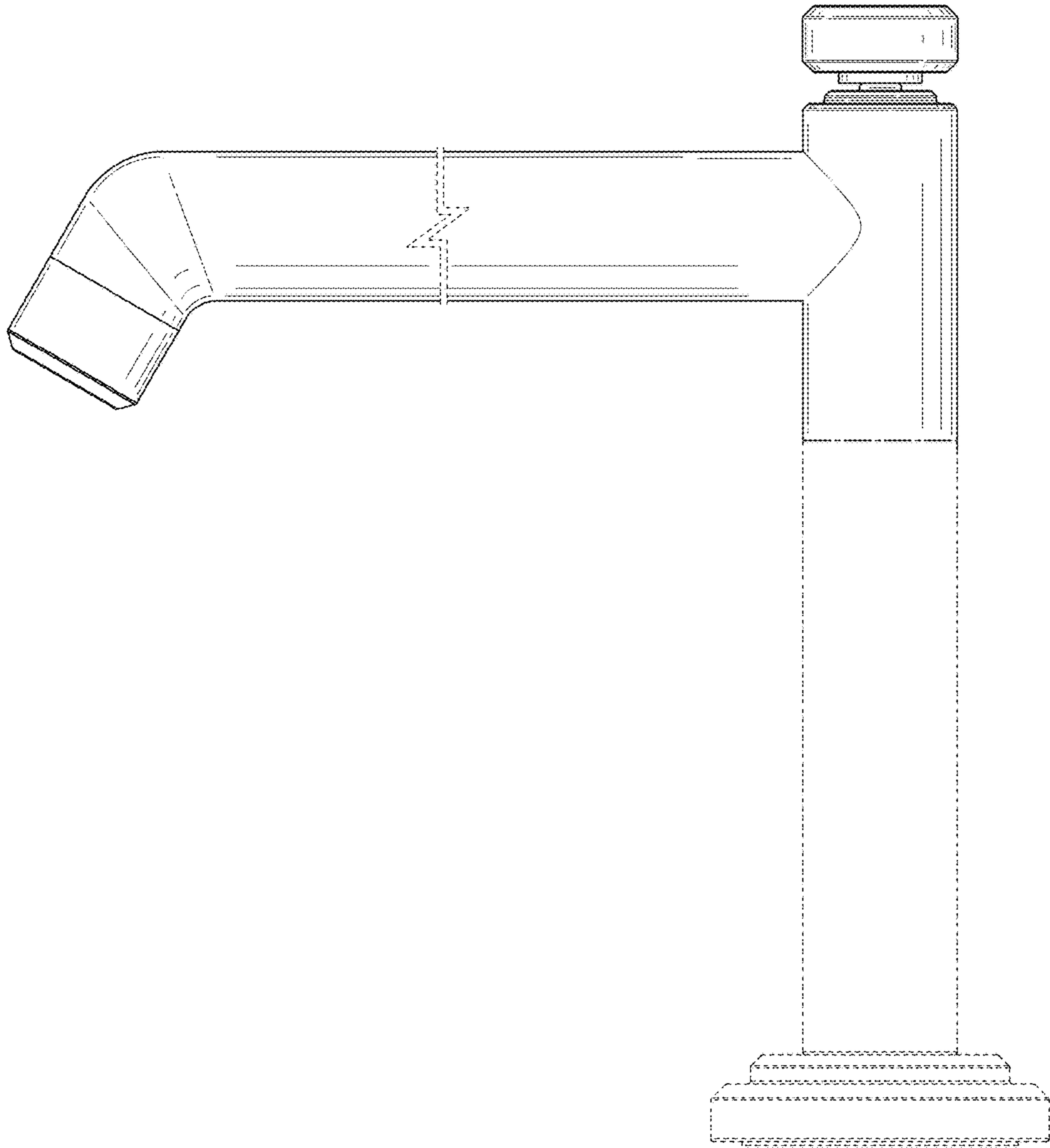
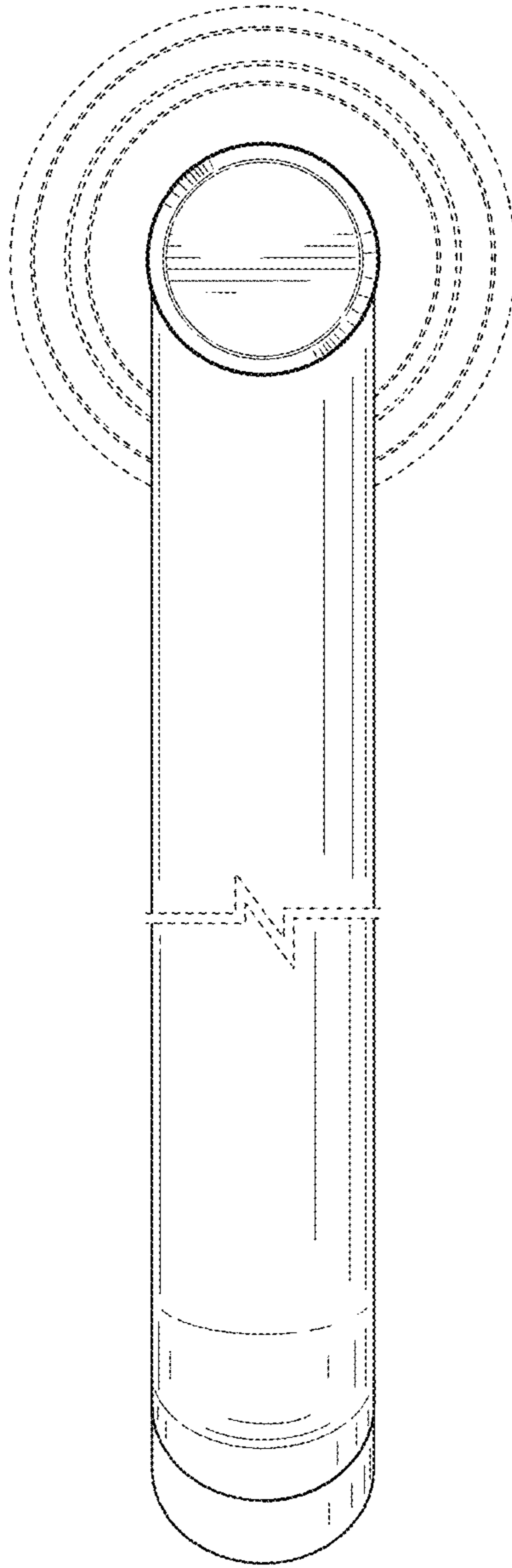
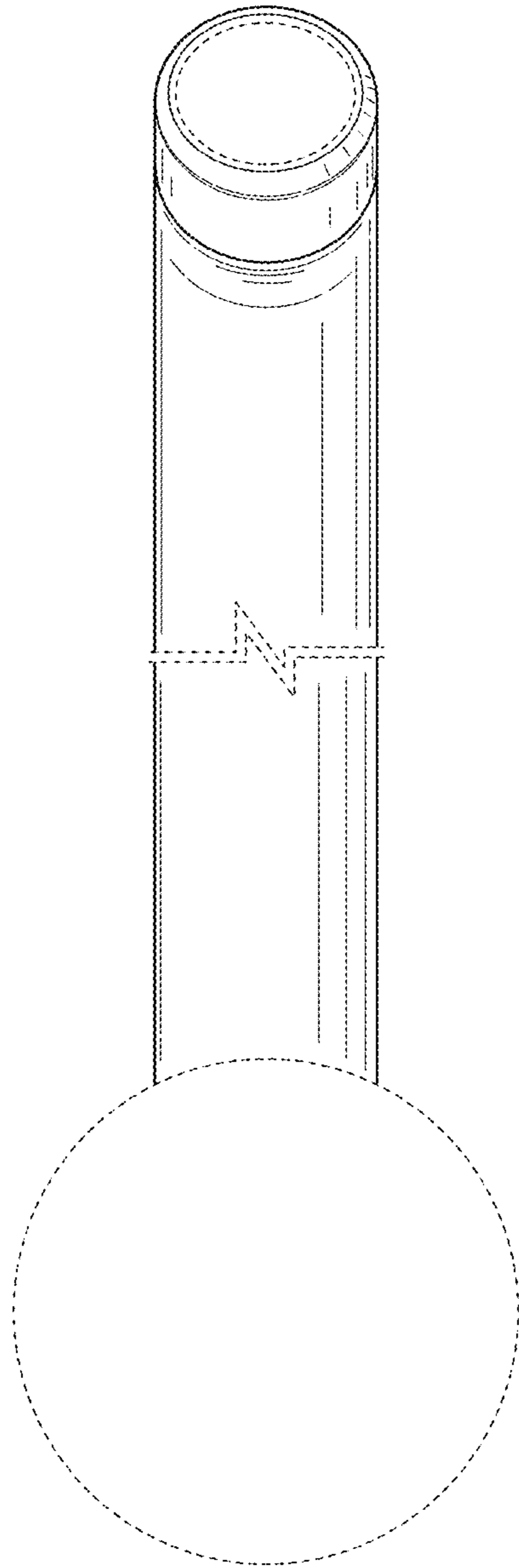


FIG. 4



**FIG. 5**



**FIG. 6**