



US00D787644S

(12) **United States Design Patent** (10) **Patent No.:** **US D787,644 S**  
**Hong** (45) **Date of Patent:** **\*\* May 23, 2017**

- (54) **FAUCET SPOUT**
- (71) Applicant: **Kohler Co.**, Kohler, WI (US)
- (72) Inventor: **Zheyang Hong**, Sheboygan, WI (US)
- (73) Assignee: **KOHLER CO.**, Kohler, WI (US)
- (\*\*) Term: **15 Years**
- (21) Appl. No.: **29/584,351**
- (22) Filed: **Nov. 14, 2016**

- D550,812 S 9/2007 Haug
- D586,881 S 2/2009 Lammel
- D586,886 S 2/2009 Schoenherr
- D605,261 S 12/2009 Allard
- D615,162 S 5/2010 Pan
- D628,277 S 11/2010 Montgomery
- D636,467 S 4/2011 Schoenherr
- D644,303 S 8/2011 Slothower et al.
- D652,488 S 1/2012 Slothower et al.
- D661,374 S 6/2012 Slothower et al.
- D661,782 S 6/2012 Slothower et al.
- D667,533 S 9/2012 Lammel
- D713,941 S 9/2014 Hundley et al.
- D716,418 S 10/2014 Hundley et al.
- D719,643 S 12/2014 Sedwick

**Related U.S. Application Data**

- (62) Division of application No. 29/565,883, filed on May 25, 2016, now Pat. No. Des. 771,778, which is a division of application No. 29/519,942, filed on Mar. 9, 2015, now Pat. No. Des. 767,729.
- (51) **LOC (10) Cl.** ..... **23-01**
- (52) **U.S. Cl.**  
USPC ..... **D23/255**
- (58) **Field of Classification Search**  
USPC ..... D23/238-243, 249-250, 252, 254-255, D23/257  
CPC ..... E03C 1/04; E03C 1/0401; E03C 1/0402; E03C 1/0404; F16K 31/602; F16K 31/605; F16K 31/607  
See application file for complete search history.

**References Cited**

**U.S. PATENT DOCUMENTS**

- D325,424 S 4/1992 Dannenberg
- D326,139 S 5/1992 Ragonot
- D462,421 S 9/2002 Hundley

*Primary Examiner* — Robert Delehanty

(74) *Attorney, Agent, or Firm* — Foley & Lardner LLP

(57) **CLAIM**

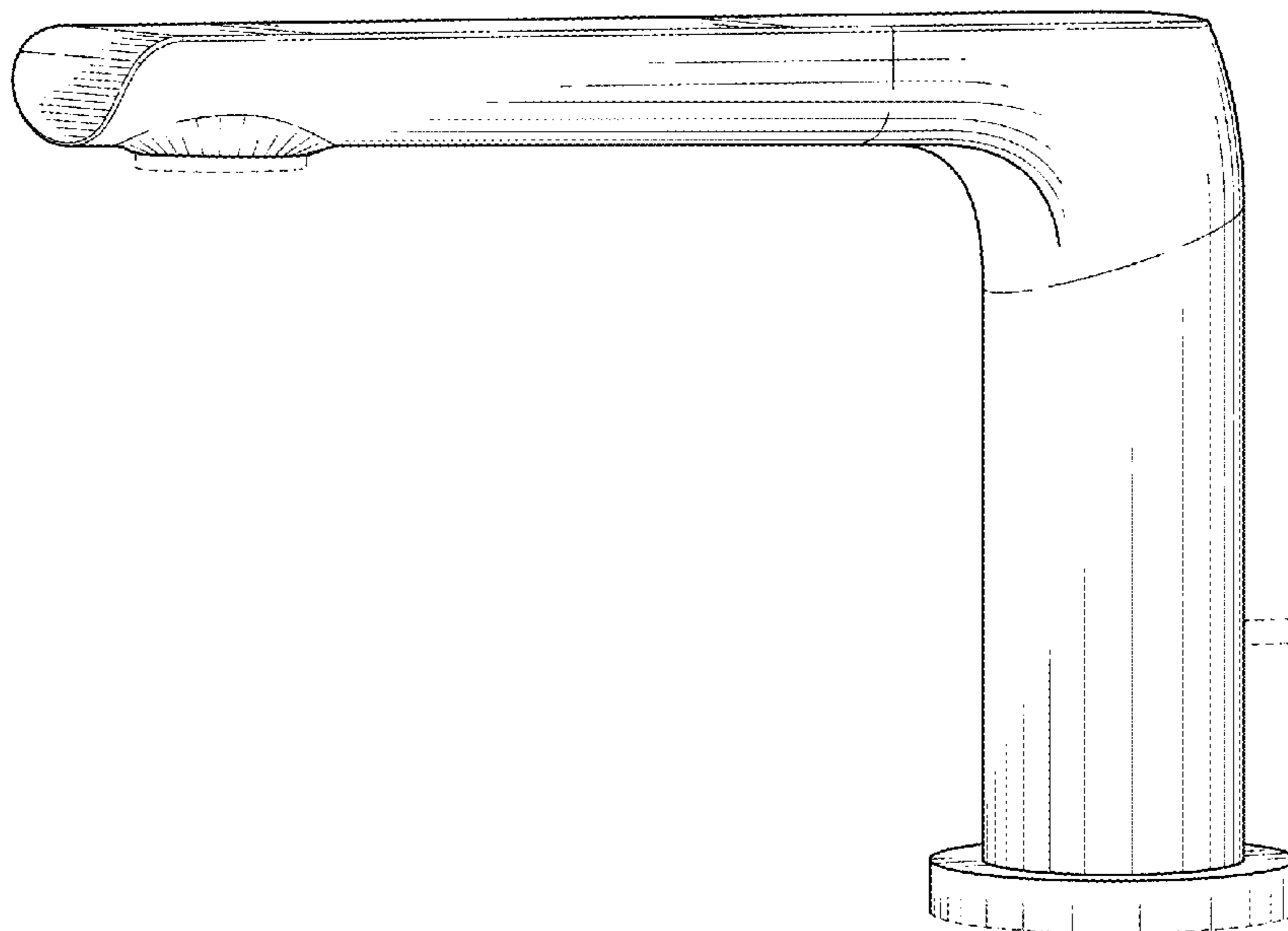
I claim the ornamental design for a faucet spout, as shown and described.

**DESCRIPTION**

FIG. 1 is a top, front, right perspective view of an embodiment of the claimed design;  
 FIG. 2 is a front elevation view thereof;  
 FIG. 3 is a rear elevation view thereof;  
 FIG. 4 is a left side elevation view thereof;  
 FIG. 5 is a right side elevation view thereof;  
 FIG. 6 is a top plan view thereof; and,  
 FIG. 7 is a bottom plan view thereof.

The ornamental design which is claimed is shown in solid lines in the drawings. The broken lines in the drawings are for illustrative purposes only and form no part of the claimed design. Broken lines formed by equal length dashes show unclaimed subject matter.

**1 Claim, 4 Drawing Sheets**



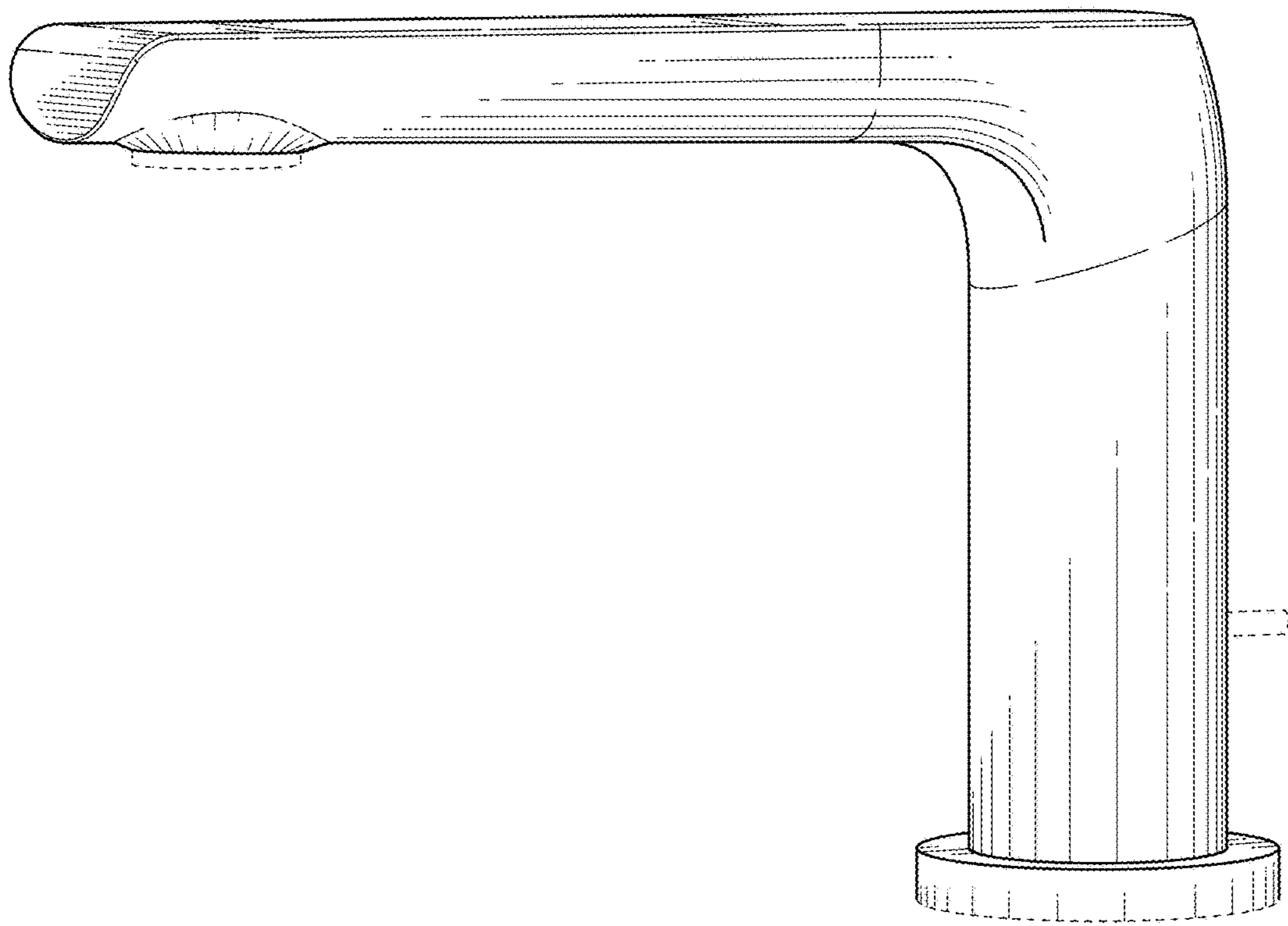


FIG. 1

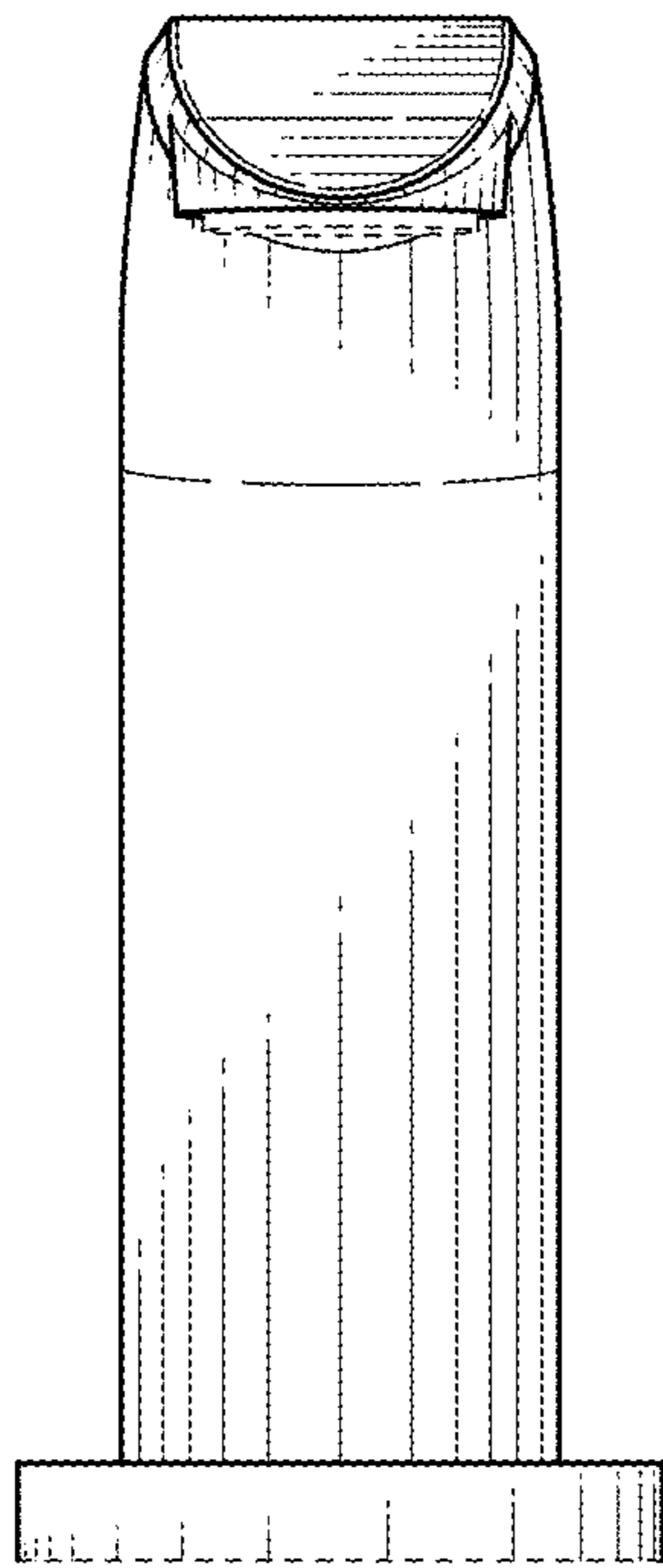


FIG. 2

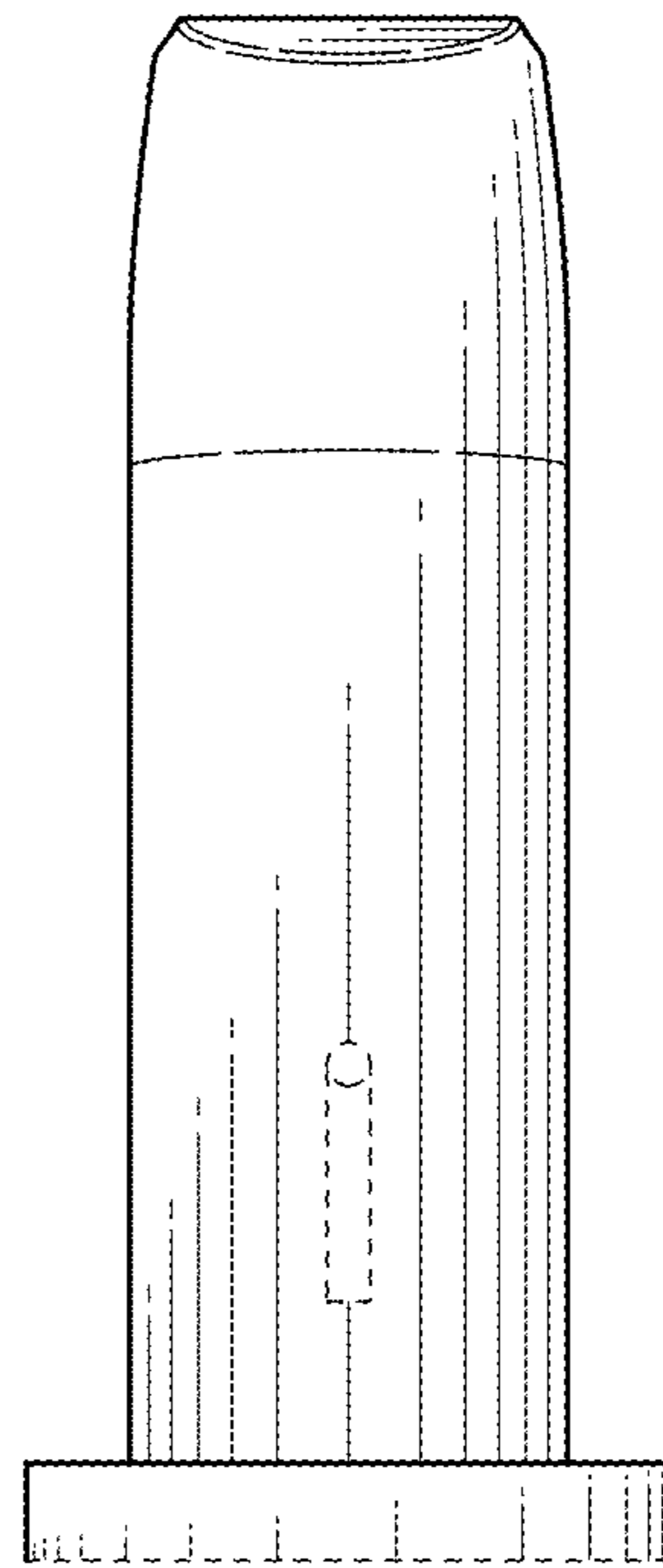


FIG. 3

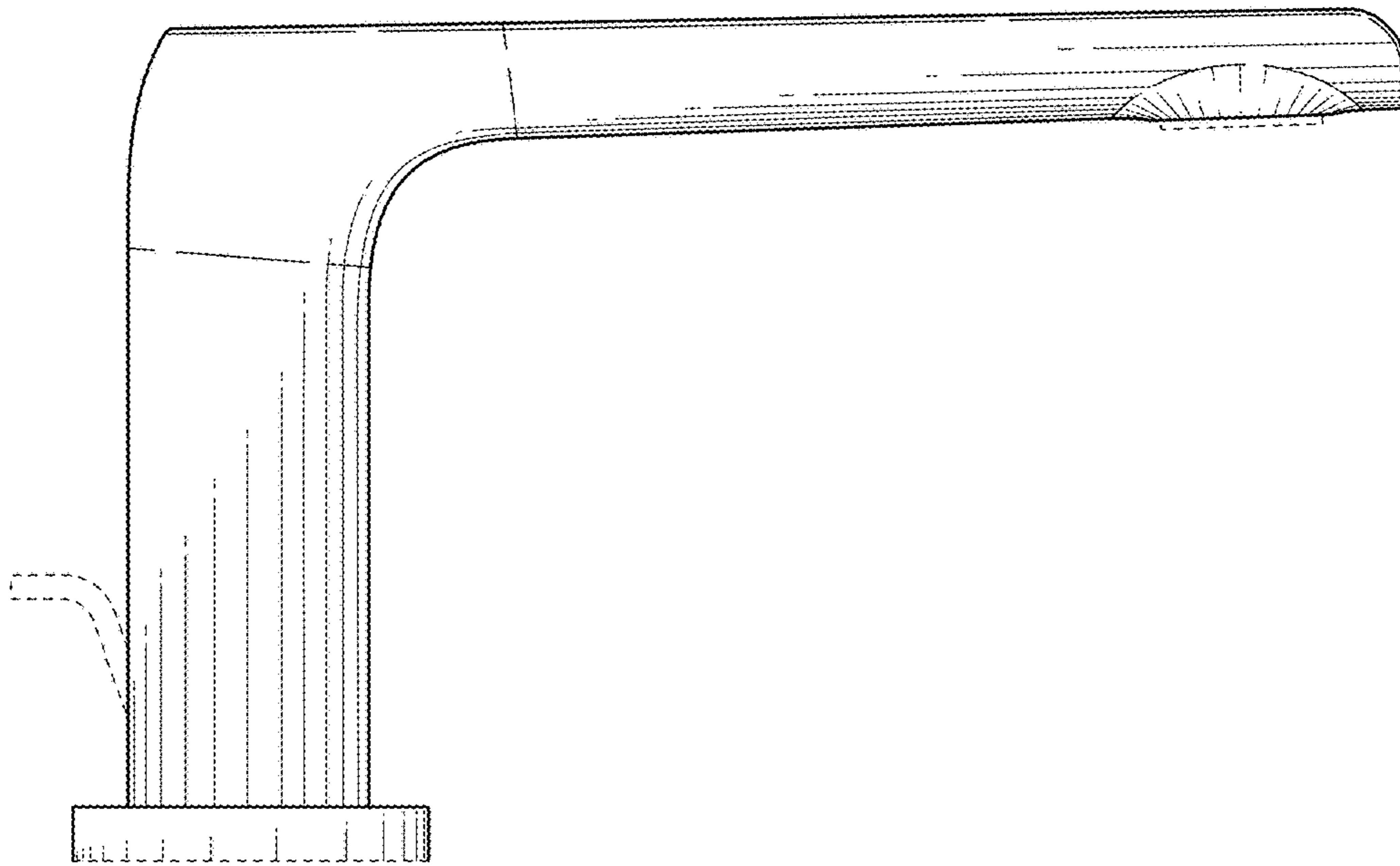


FIG. 4

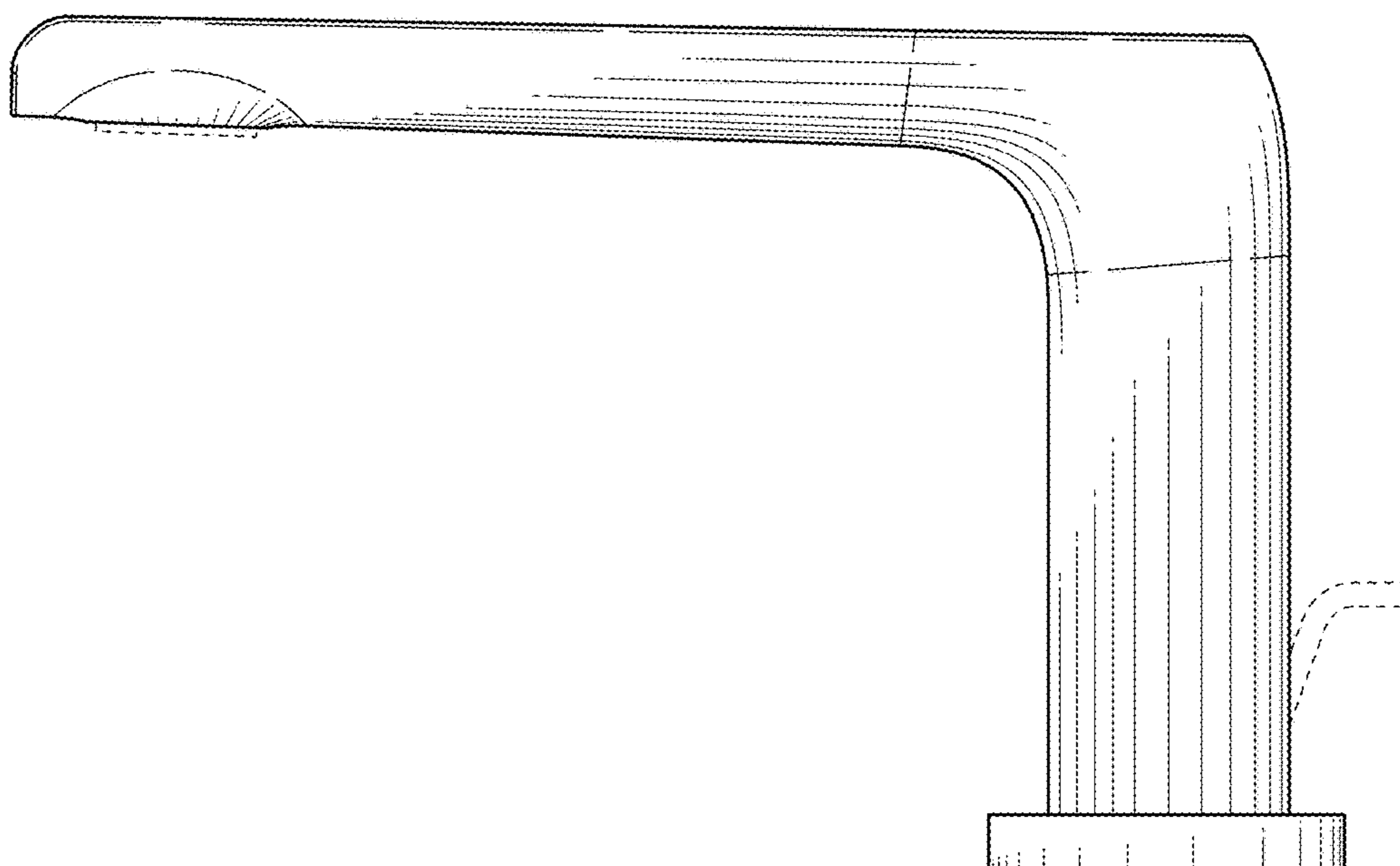


FIG. 5

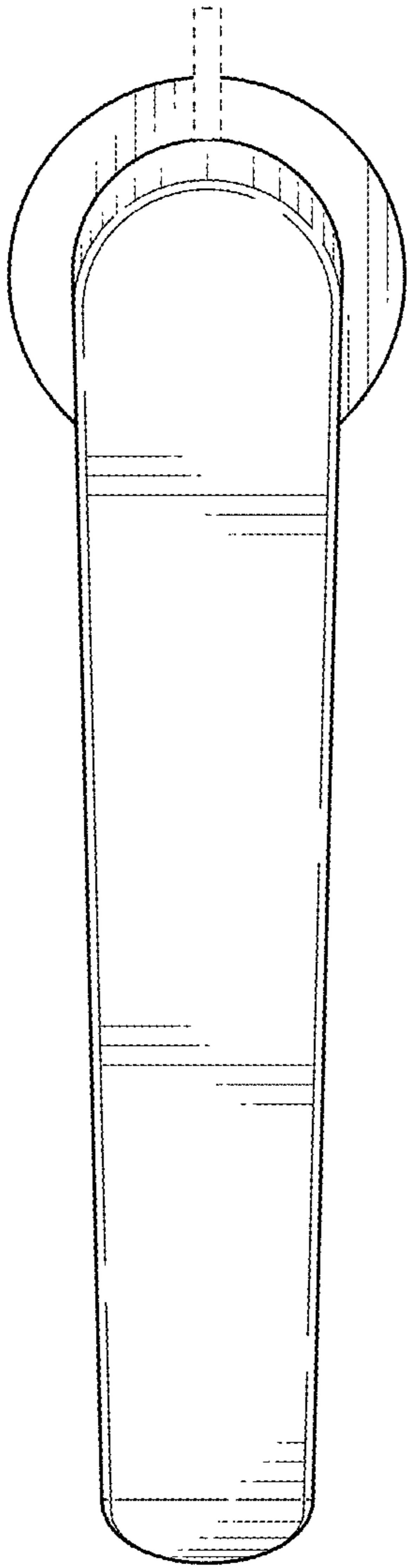


FIG. 6

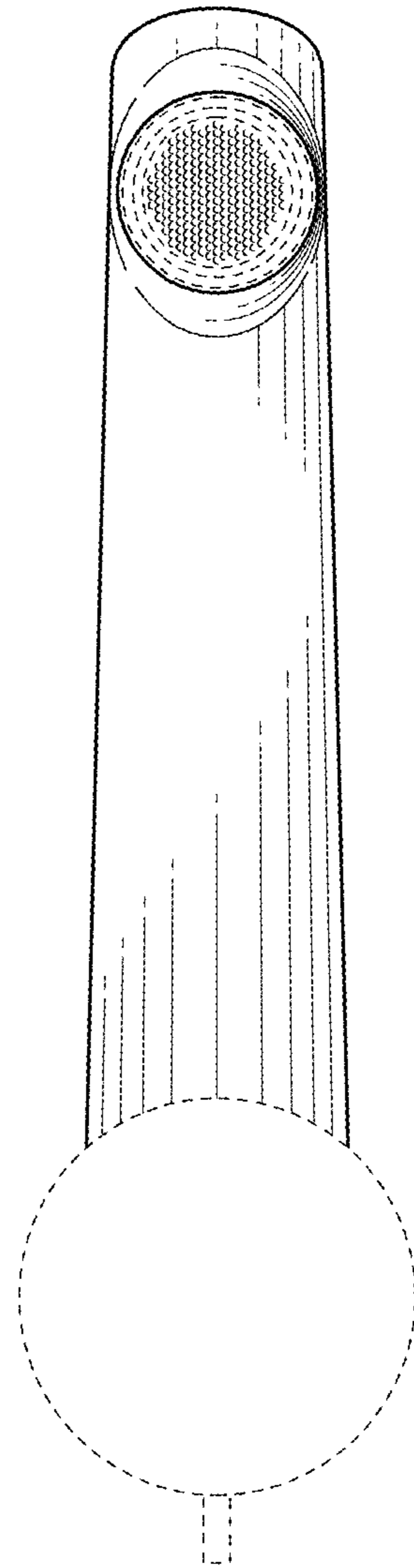


FIG. 7