



US00D787642S

(12) **United States Design Patent**  
**Kirar et al.**

(10) **Patent No.:** **US D787,642 S**  
(45) **Date of Patent:** **\*\* May 23, 2017**

- (54) **FAUCET**
- (71) Applicant: **Kohler Co.**, Kohler, WI (US)
- (72) Inventors: **Laura K. Kirar**, Miami Beach, FL (US); **William C. McKeone**, Sheboygan, WI (US)
- (73) Assignee: **KOHLER CO.**, Kohler, WI (US)
- (\*\*) Term: **15 Years**
- (21) Appl. No.: **29/540,140**
- (22) Filed: **Sep. 21, 2015**
- (51) **LOC (10) Cl.** ..... **23-01**
- (52) **U.S. Cl.**  
USPC ..... **D23/255**
- (58) **Field of Classification Search**  
USPC ..... D23/238-243, 249, 255, 257, 250, 252, D23/254  
CPC ..... E03C 1/04; E03C 1/0401; E03C 1/0402; E03C 1/0404; F16K 31/602; F16K 31/605; F16K 31/607  
See application file for complete search history.

D564,634 S	3/2008	Kirar	
D570,453 S	6/2008	Tsai	
D581,025 S *	11/2008	Schonherr	..... D23/255
D619,872 S	7/2010	Singtoroj	
D666,277 S	8/2012	Schaefer	
8,235,431 B2	8/2012	Williamson	
D684,669 S	6/2013	Eilmus	
D685,878 S *	7/2013	Fritz	..... D23/238
D714,912 S	10/2014	Barry	
D741,453 S *	10/2015	Bahler	..... D23/238

\* cited by examiner

*Primary Examiner* — Robert Delehanty  
(74) *Attorney, Agent, or Firm* — Foley & Lardner LLP

(57) **CLAIM**

We claim the ornamental design for a faucet, as shown and described.

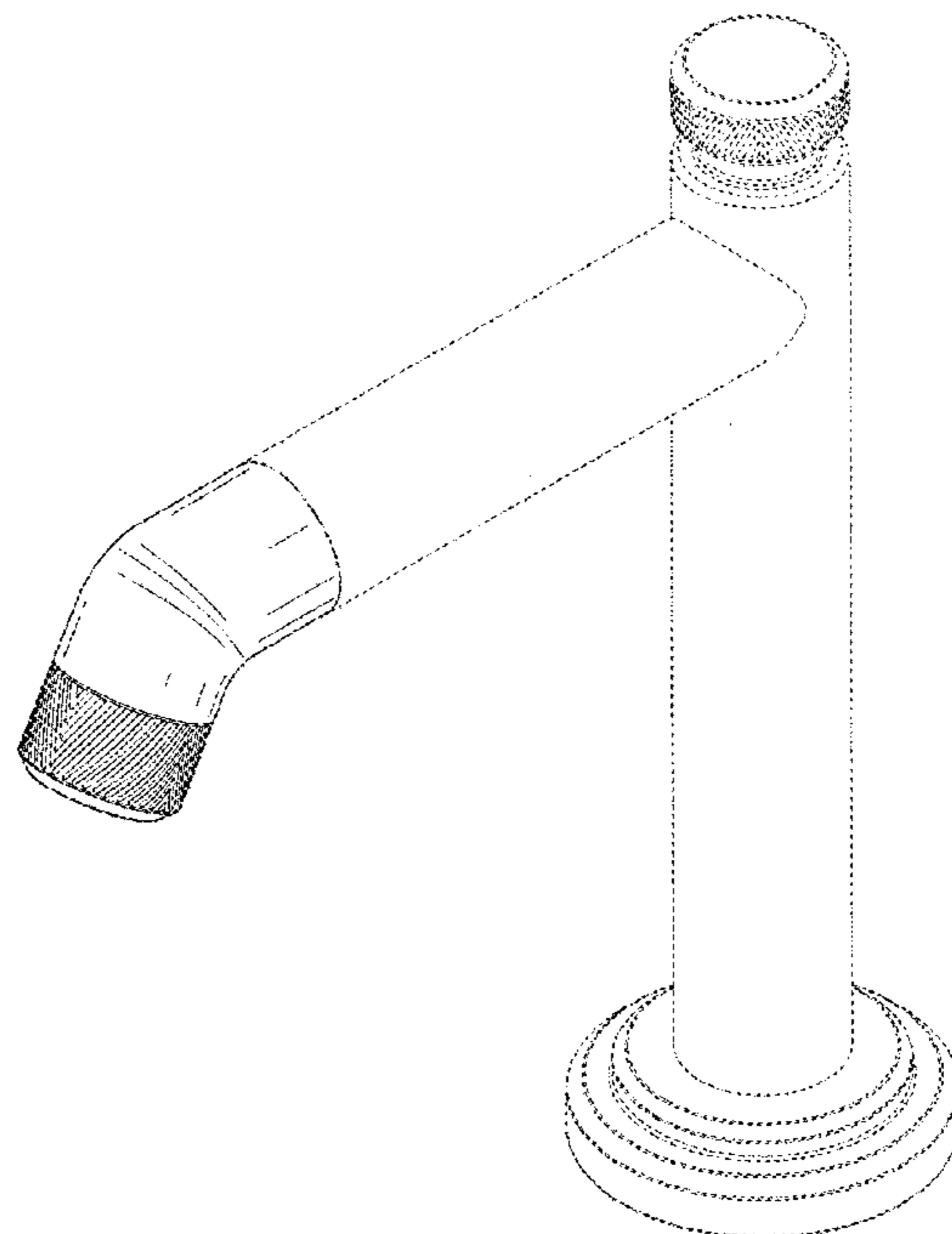
**DESCRIPTION**

FIG. 1 is a perspective view of an embodiment of the claimed design;  
FIG. 2 is a front view thereof;  
FIG. 3 is a rear view thereof;  
FIG. 4 is a side view thereof;  
FIG. 5 is a top view thereof; and,  
FIG. 6 is a bottom view thereof.

The ornamental design which is claimed is shown in solid lines in the drawings. The broken lines in the drawings form no part of the claimed design. Broken lines formed by equal length dashes show unclaimed subject matter. Broken lines formed of unequal length dashes (i.e., dash-dot) define bounds of the claimed design. Broken away symbols having a jagged element show that no particular length of the portion is claimed.

**1 Claim, 6 Drawing Sheets**

- (56) **References Cited**  
U.S. PATENT DOCUMENTS
- |              |         |          |               |
|--------------|---------|----------|---------------|
| D318,904 S   | 8/1991  | Hartkopf |               |
| D334,230 S   | 3/1993  | Bonnell  |               |
| D384,401 S   | 9/1997  | Doughty  |               |
| D522,102 S   | 5/2006  | Fritz    |               |
| D524,140 S   | 7/2006  | Kirar    |               |
| D531,267 S   | 10/2006 | Hundley  |               |
| D532,866 S * | 11/2006 | Kirar    | ..... D23/238 |
| D533,924 S * | 12/2006 | Kirar    | ..... D23/255 |



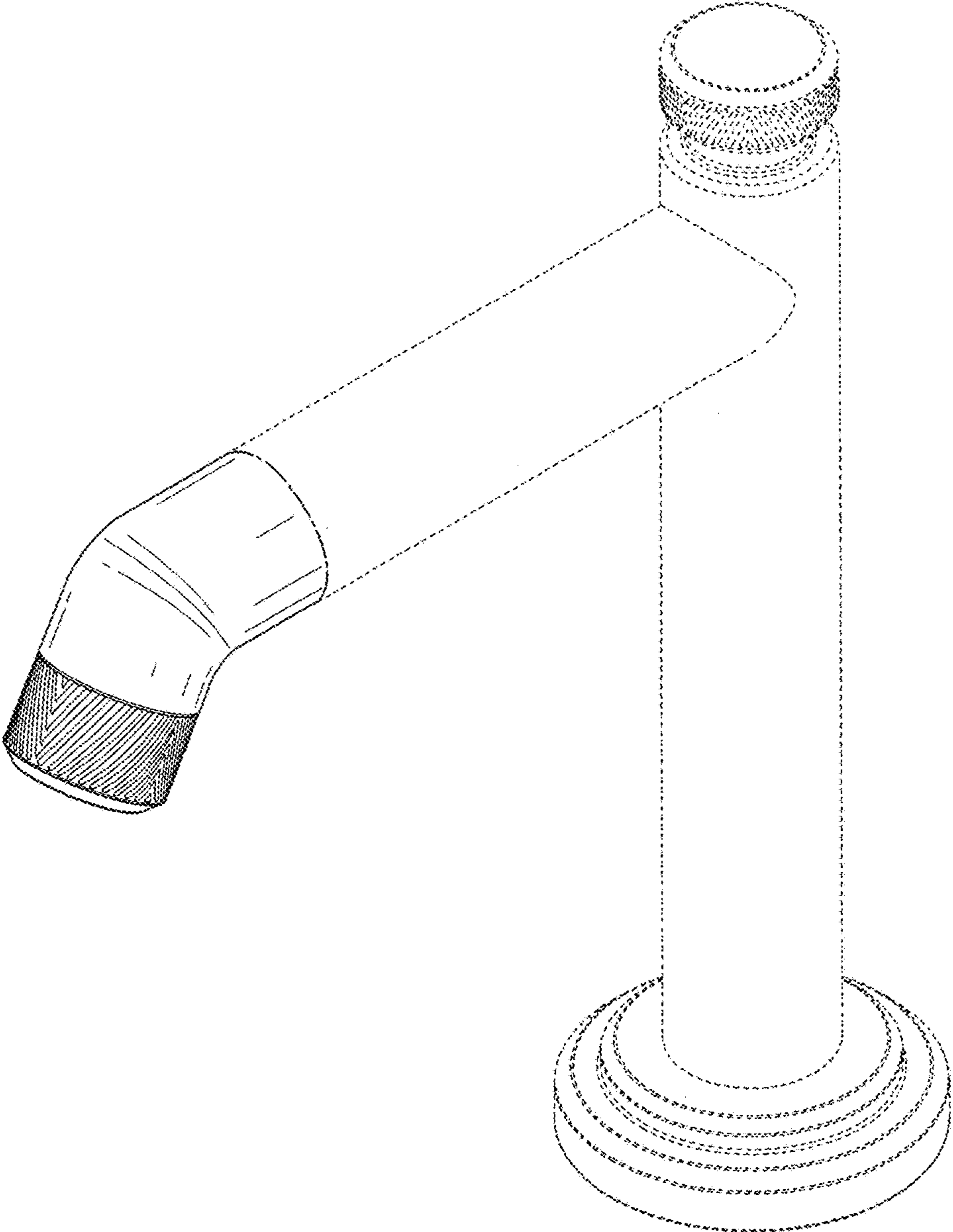


FIG. 1

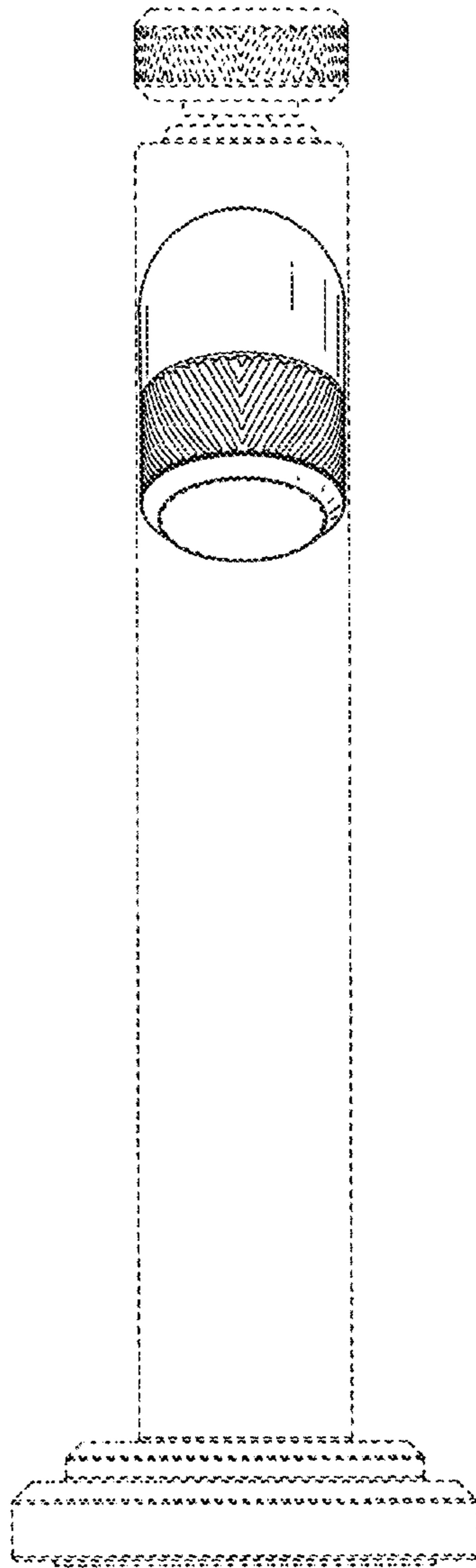


FIG. 2

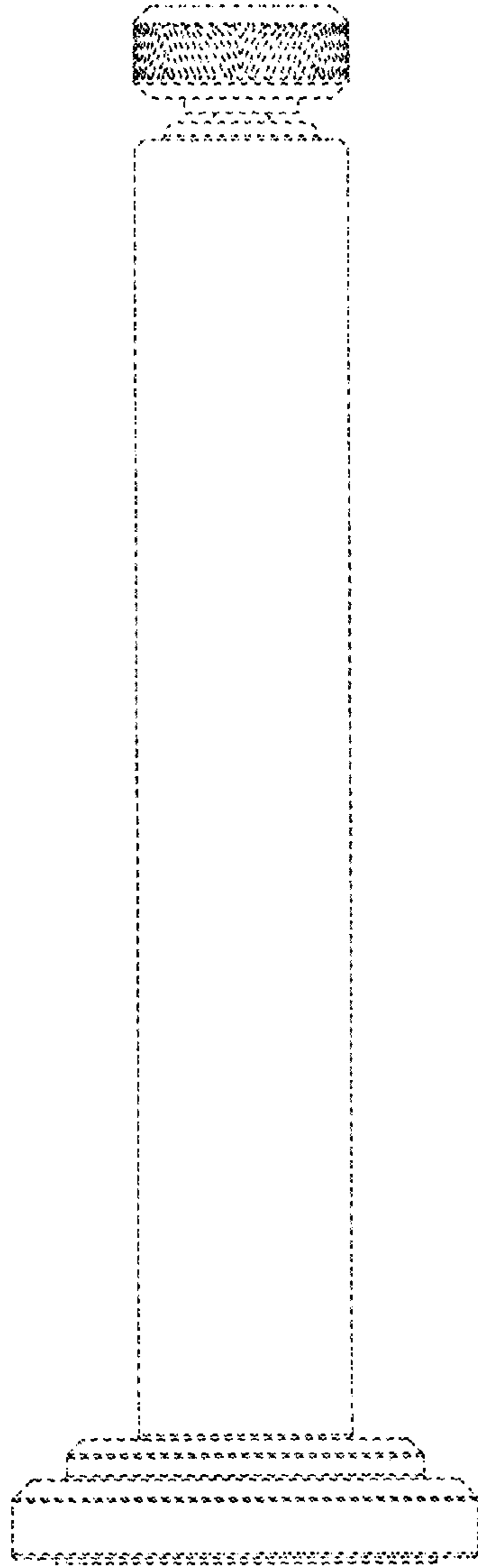


FIG. 3

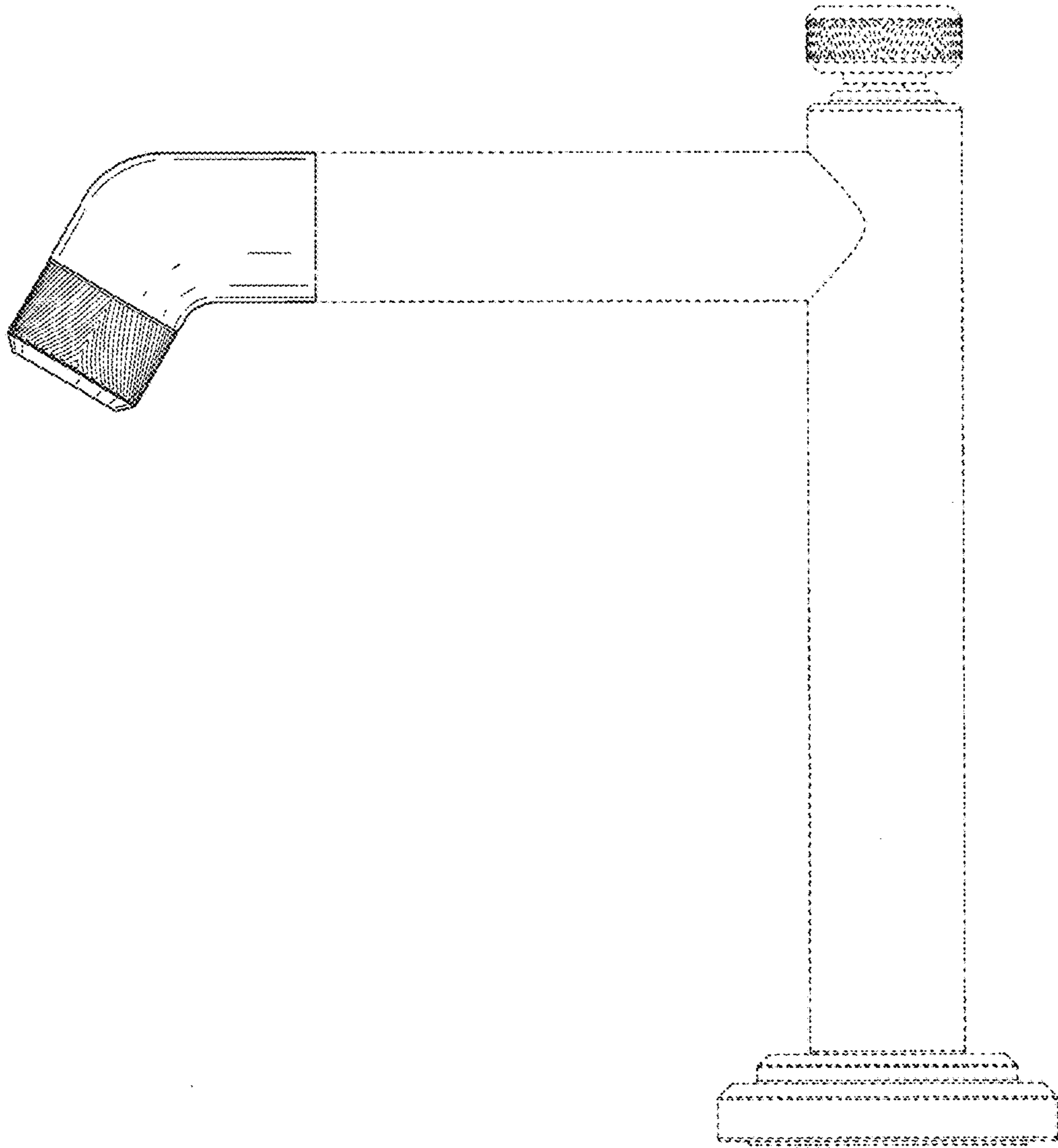


FIG. 4

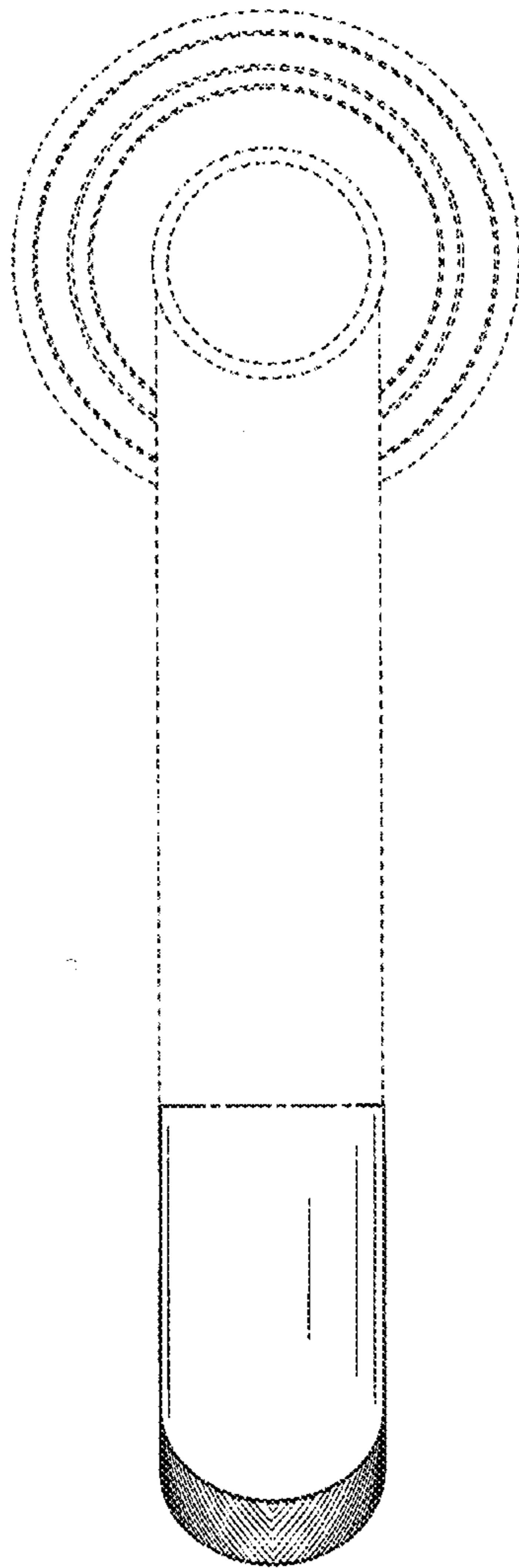


FIG. 5

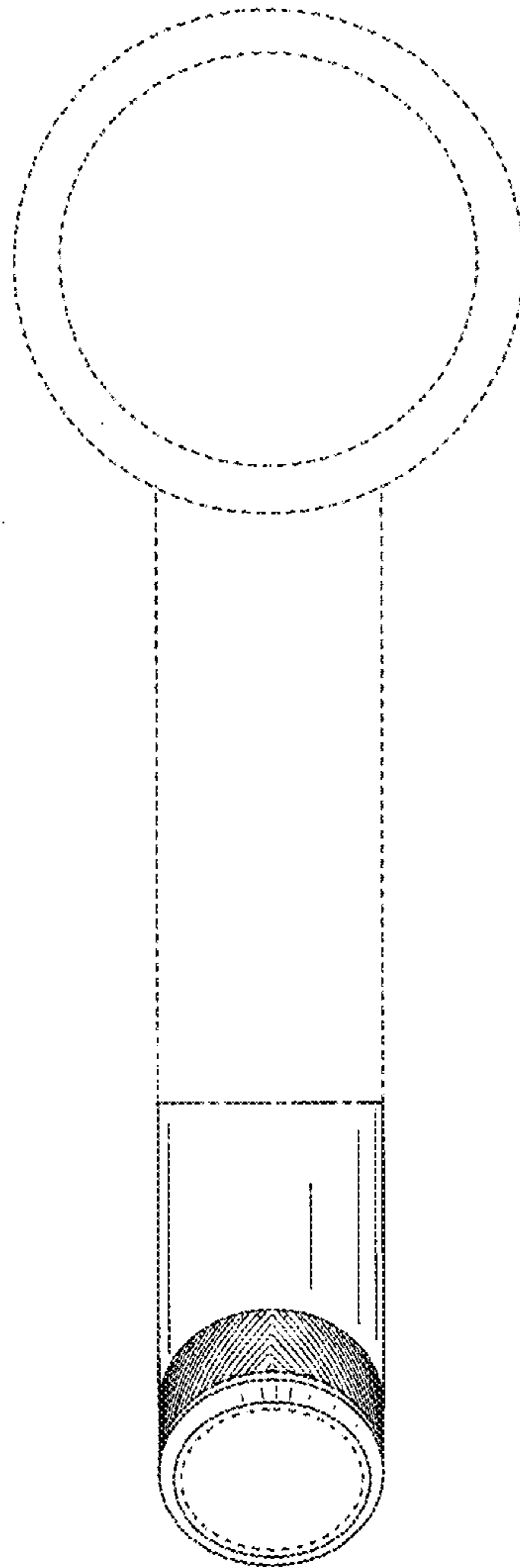


FIG. 6