



US00D787641S

(12) **United States Design Patent**
Georgeson

(10) **Patent No.:** **US D787,641 S**

(45) **Date of Patent:** **** May 23, 2017**

(54) **FAUCET**

(71) Applicant: **Kohler Co.**, Kohler, WI (US)

(72) Inventor: **Paul B. Georgeson**, Milwaukee, WI (US)

(73) Assignee: **KOHLER CO.**, Kohler, WI (US)

(**) Term: **15 Years**

(21) Appl. No.: **29/542,171**

(22) Filed: **Oct. 12, 2015**

(51) **LOC (10) Cl.** **23-01**

(52) **U.S. Cl.**
USPC **D23/252**

(58) **Field of Classification Search**
USPC D23/238, 249-250, 252, 254, 213, 223, D23/226, 229; D8/307-308, 310
CPC . E03C 1/00; E03C 1/0404; E03C 1/02; E03C 1/021; E03C 2001/0411; E03C 2001/0415; E03C 2001/0417; Y10T 137/9464; B05B 15/065; A47L 17/00
See application file for complete search history.

(56) **References Cited**

U.S. PATENT DOCUMENTS

D580,023 S * 11/2008 Gilbert D23/255
8,256,463 B2 * 9/2012 Farag E03C 1/04
137/801

D703,789 S 4/2014 Mazz et al.
D723,661 S * 3/2015 Zhang D23/238
9,057,184 B2 * 6/2015 Meehan E03C 1/0404
D746,413 S * 12/2015 Hanna D23/255
9,249,898 B2 * 2/2016 Bares F16K 31/602

* cited by examiner

Primary Examiner — Robert Delehanty

(74) *Attorney, Agent, or Firm* — Foley & Lardner LLP

(57) **CLAIM**

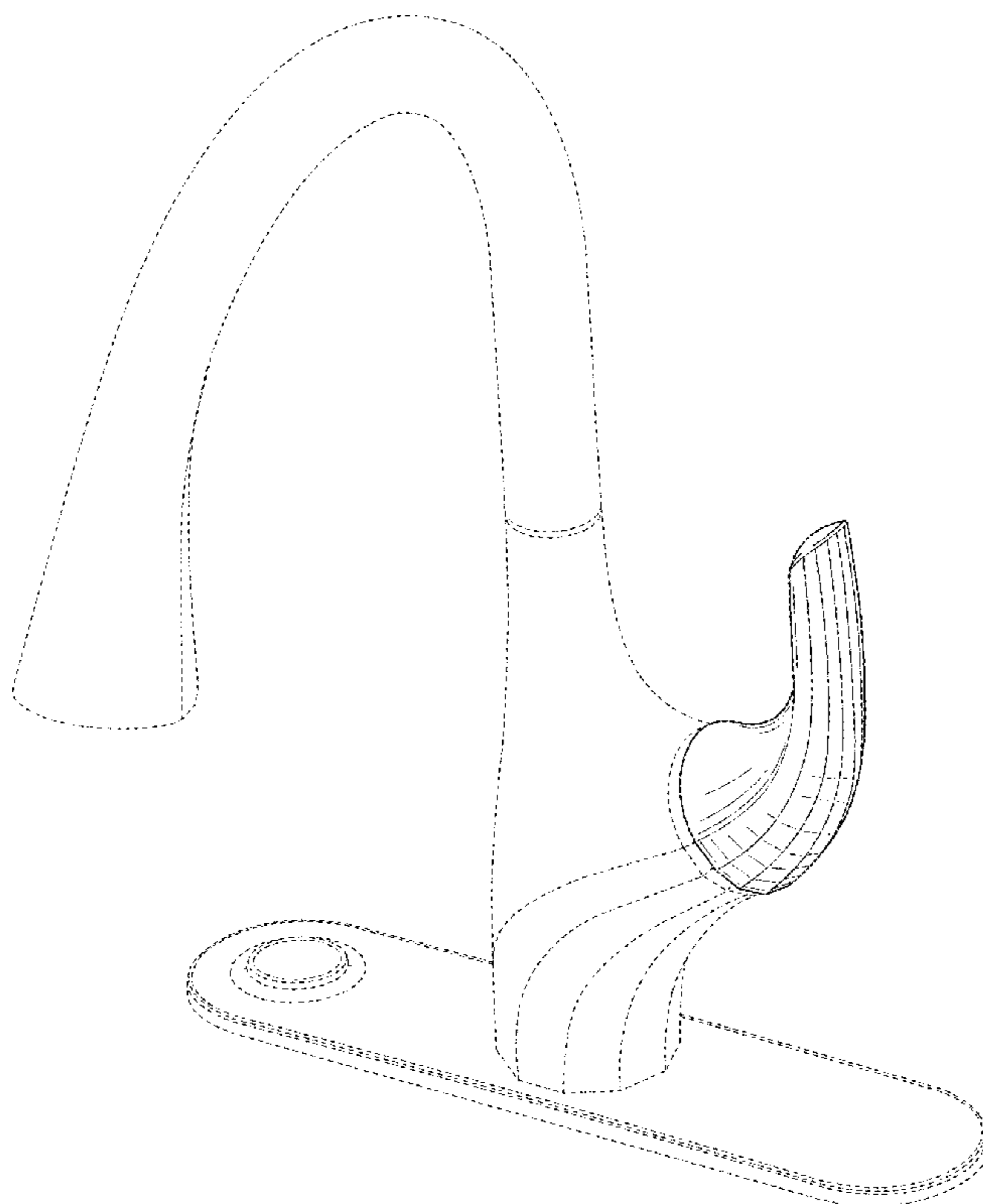
I claim the ornamental design for a faucet, as shown and described.

DESCRIPTION

FIG. 1 is a top, front, right perspective view of another embodiment of the claimed design;
FIG. 2 is a front elevation view thereof;
FIG. 3 is a rear elevation view thereof;
FIG. 4 is a right side elevation view thereof;
FIG. 5 is a left side elevation view thereof;
FIG. 6 is a top plan view thereof; and,
FIG. 7 is a bottom plan view thereof.

The ornamental design which is claimed is shown in solid lines in the drawings. The broken lines in the drawings form no part of the claimed design. Broken lines formed by equal length dashes show unclaimed subject matter. Broken lines formed of unequal length dashes (i.e., dash-dot) define bounds of the claimed design.

1 Claim, 7 Drawing Sheets



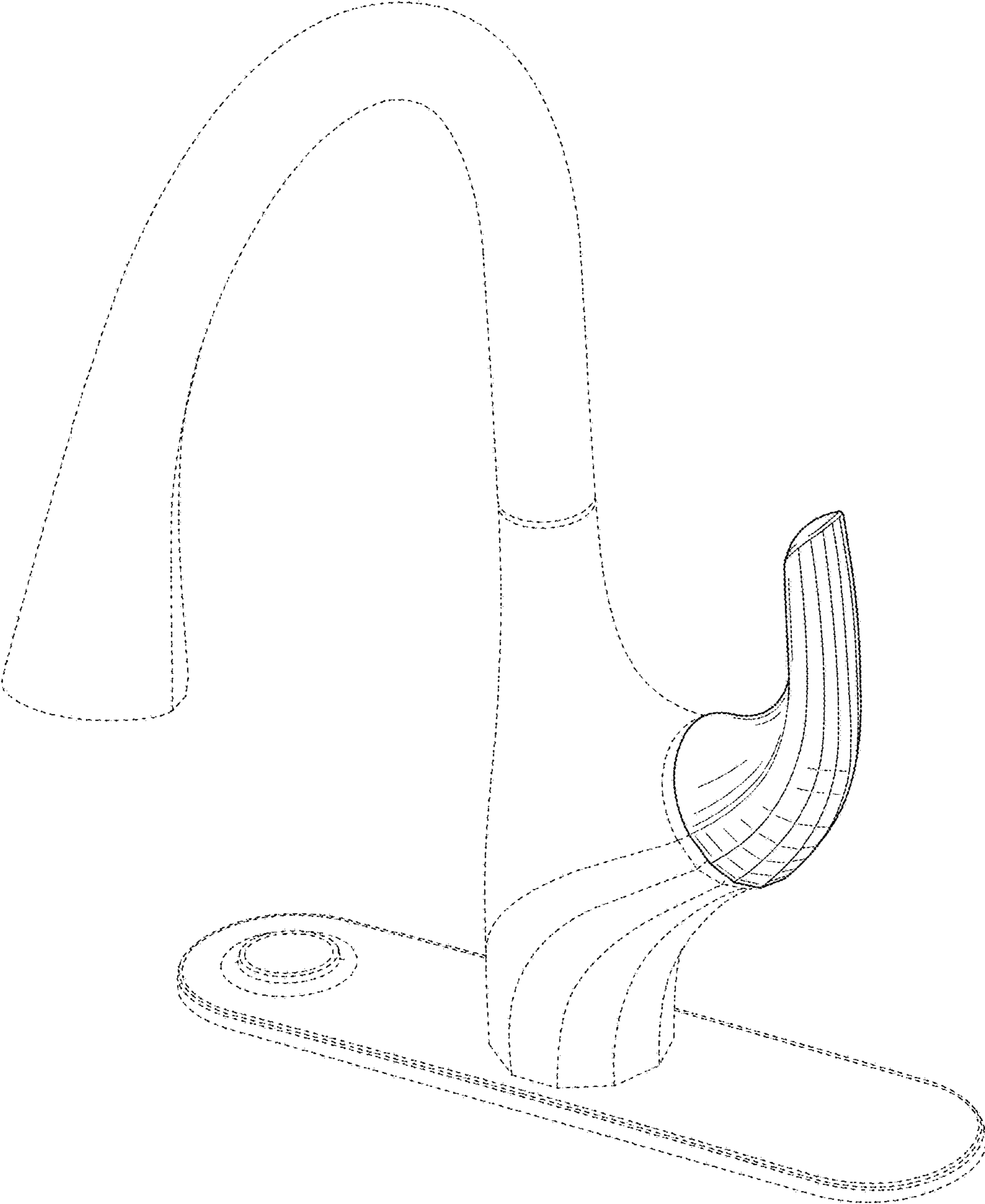


FIG. 1

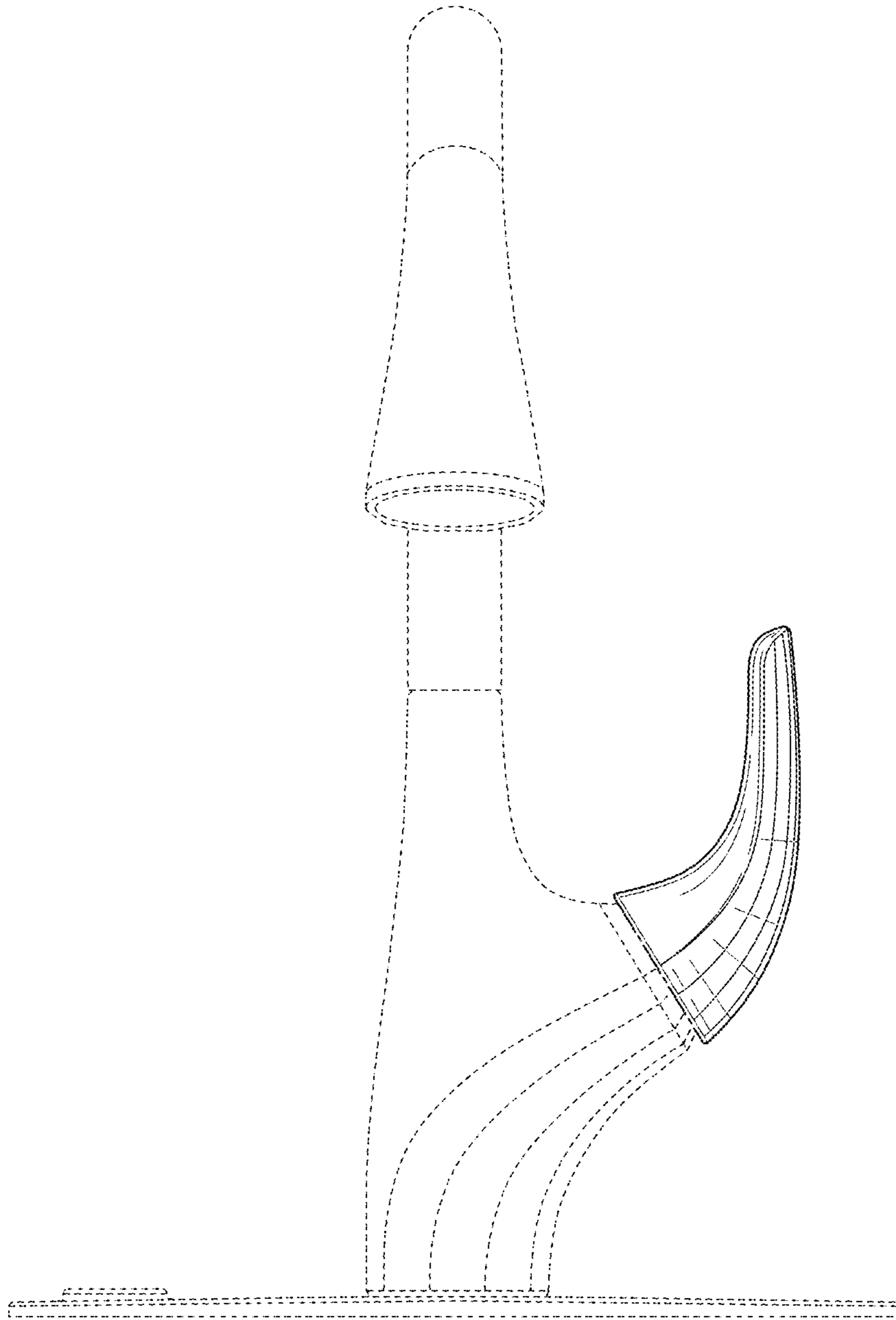


FIG. 2

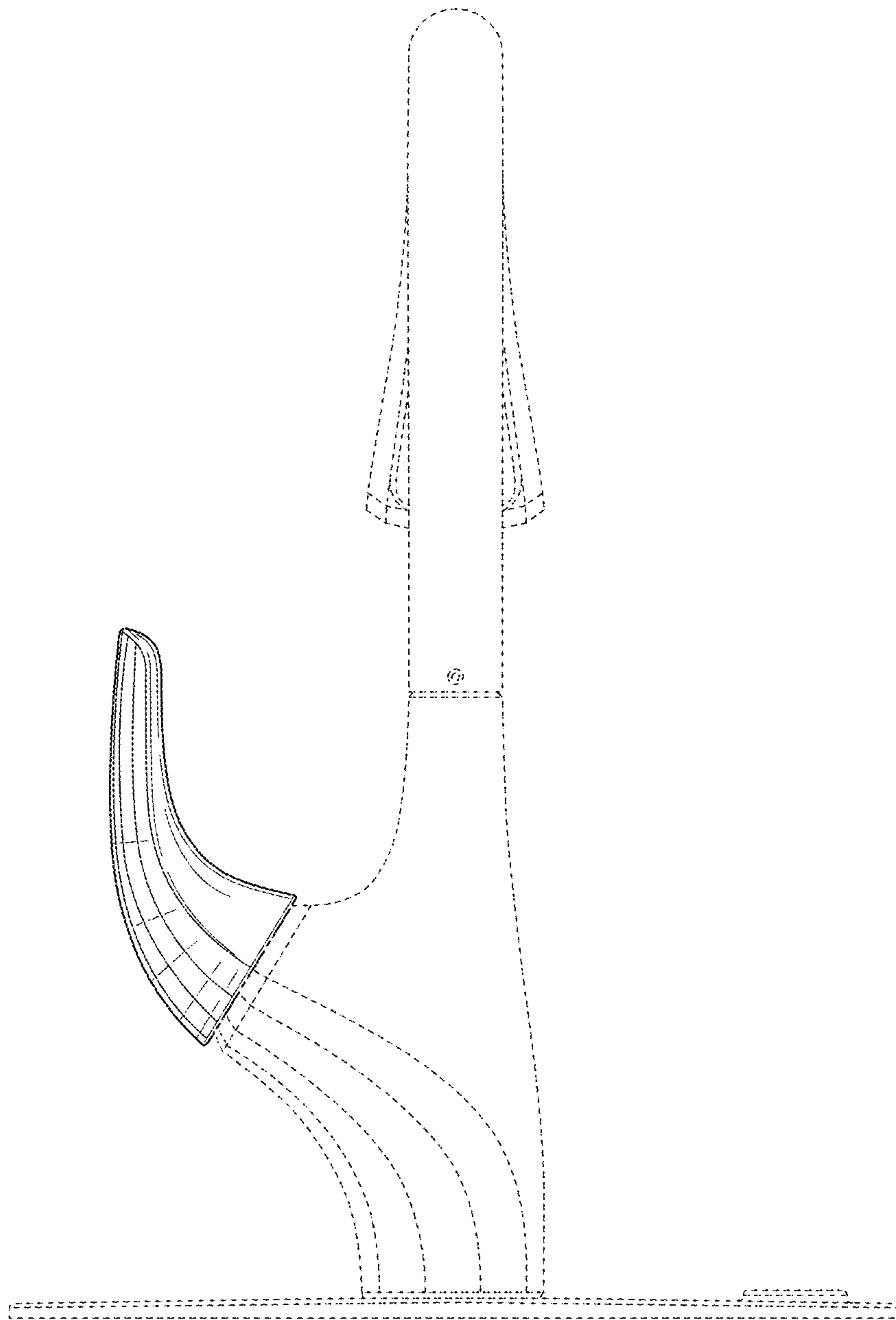


FIG. 3

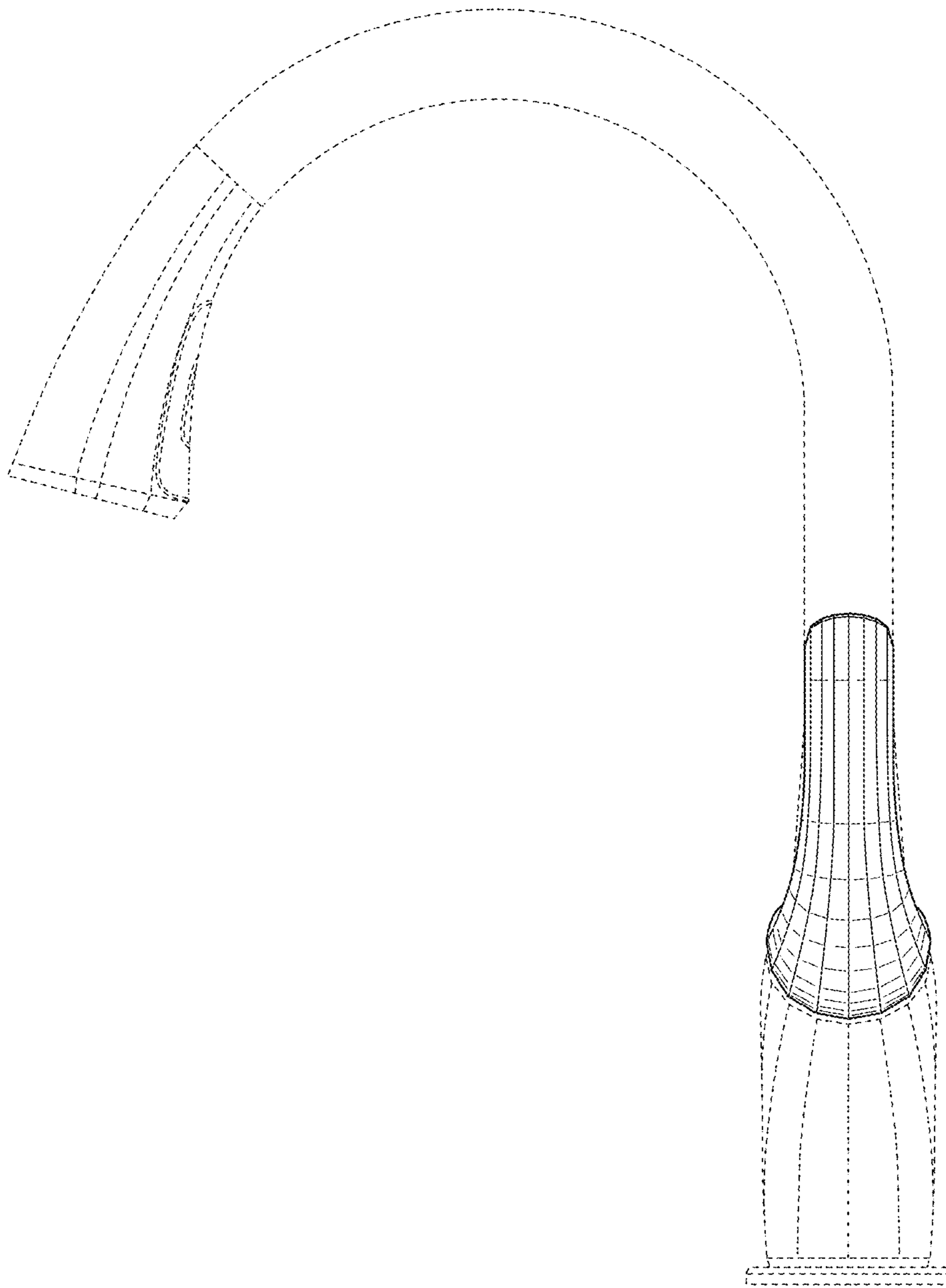


FIG. 4

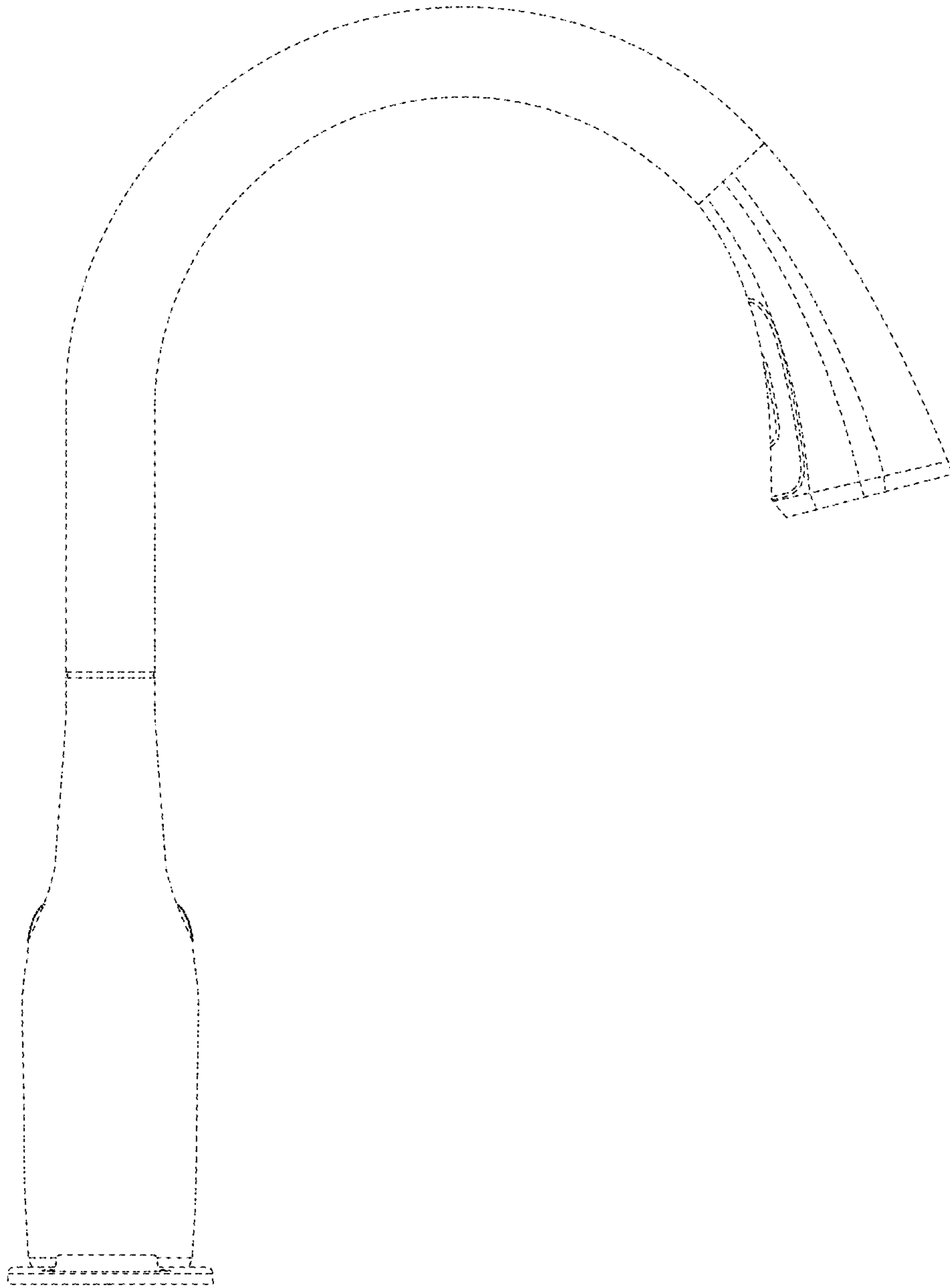


FIG. 5

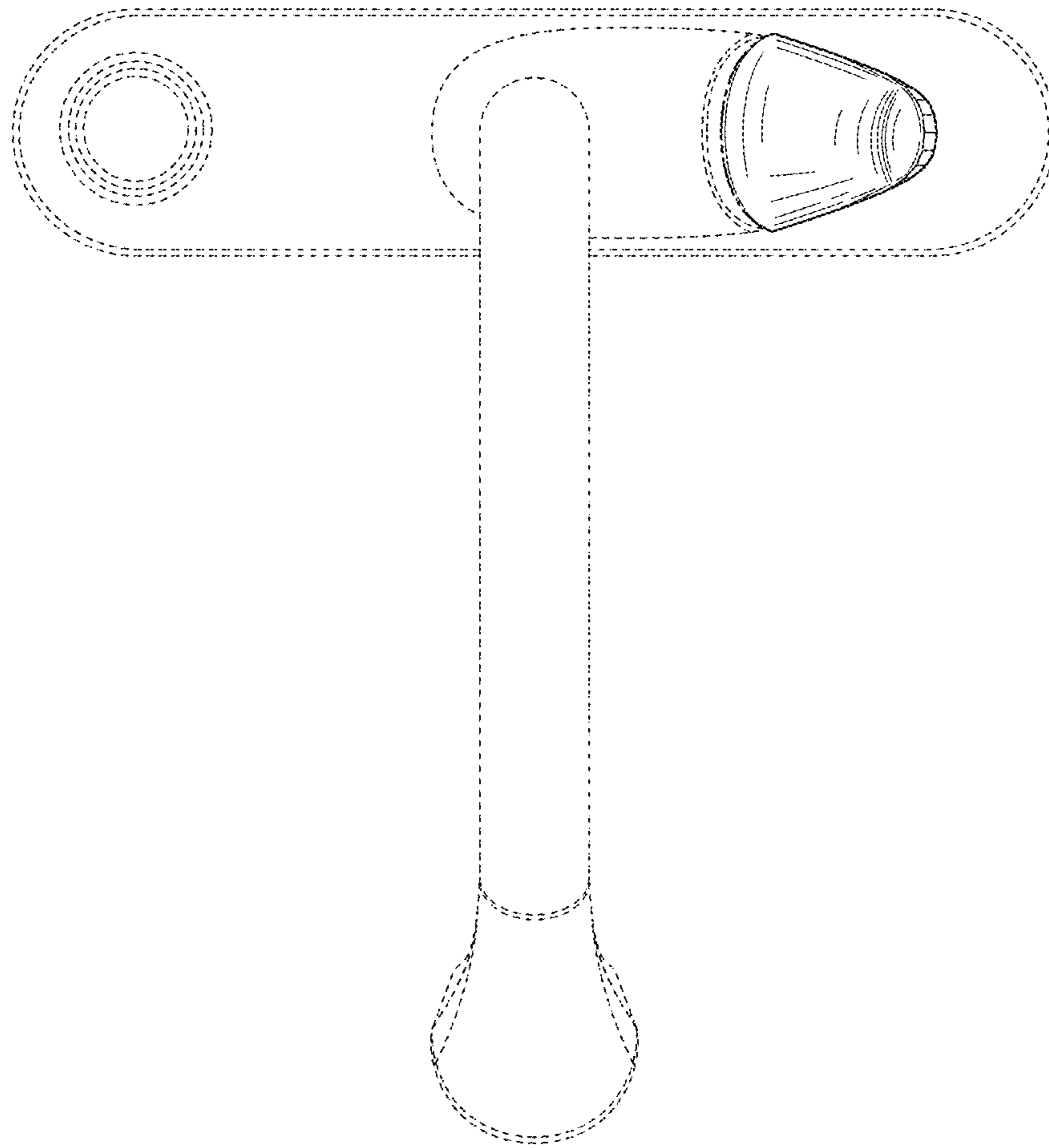


FIG. 6

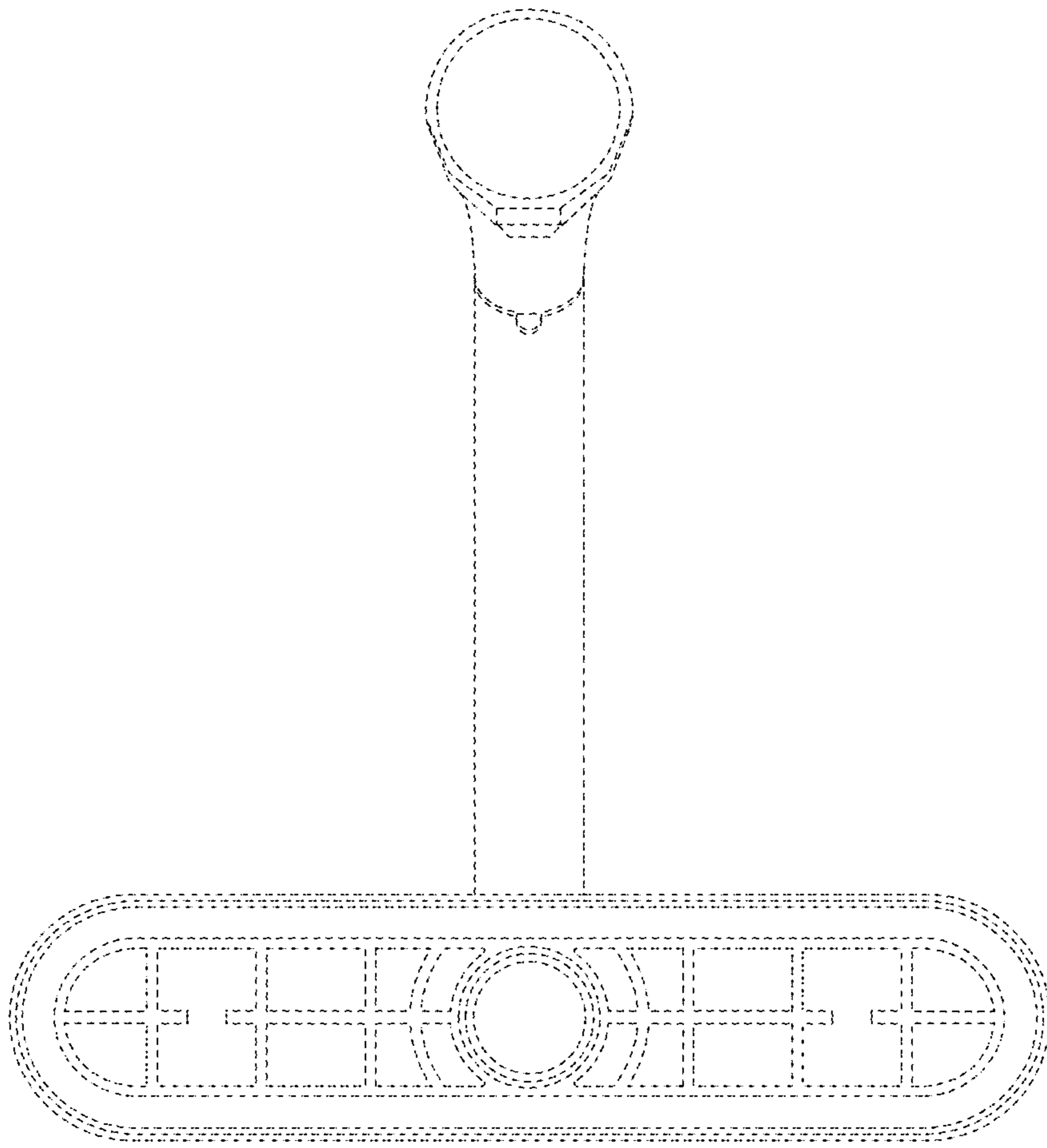


FIG. 7