



US00D787640S

(12) **United States Design Patent**
Kirar et al.

(10) **Patent No.:** **US D787,640 S**
(45) **Date of Patent:** **** May 23, 2017**

- (54) **HANDLE**
- (71) Applicant: **Kohler Co.**, Kohler, WI (US)
- (72) Inventors: **Laura K. Kirar**, Miami Beach, FL (US); **William C. McKeone**, Sheboygan, WI (US)
- (73) Assignee: **KOHLER CO.**, Kohler, WI (US)
- (**) Term: **15 Years**
- (21) Appl. No.: **29/540,144**
- (22) Filed: **Sep. 21, 2015**
- (51) **LOC (10) Cl.** **23-01**
- (52) **U.S. Cl.**
USPC **D23/252**
- (58) **Field of Classification Search**
USPC D23/238-242, 249-252, 254; D8/300, D8/305, 307-308
CPC E03C 1/04; E03C 1/0401; E03C 1/0402; E03C 1/0404
See application file for complete search history.

D570,453 S	6/2008	Tsai	
D581,025 S	11/2008	Schonherr	
D619,872 S *	7/2010	Singtoroj	D8/308
D666,277 S *	8/2012	Schaefer	D23/252
8,235,431 B2 *	8/2012	Williamson	E05B 1/003 292/348
D684,669 S	6/2013	Eilmus	
D685,878 S	7/2013	Fritz	
D714,912 S	10/2014	Barry	
D741,453 S	10/2015	Bahler	

* cited by examiner

Primary Examiner — Robert Delehanty

(74) *Attorney, Agent, or Firm* — Foley & Lardner LLP

(57) **CLAIM**

We claim the ornamental design for a handle, as shown and described.

DESCRIPTION

FIG. 1 is a perspective view of an embodiment of the claimed design;
FIG. 2 is a front view thereof;
FIG. 3 is a rear view thereof;
FIG. 4 is a side view thereof;
FIG. 5 is a top view thereof; and,
FIG. 6 is a bottom view thereof.

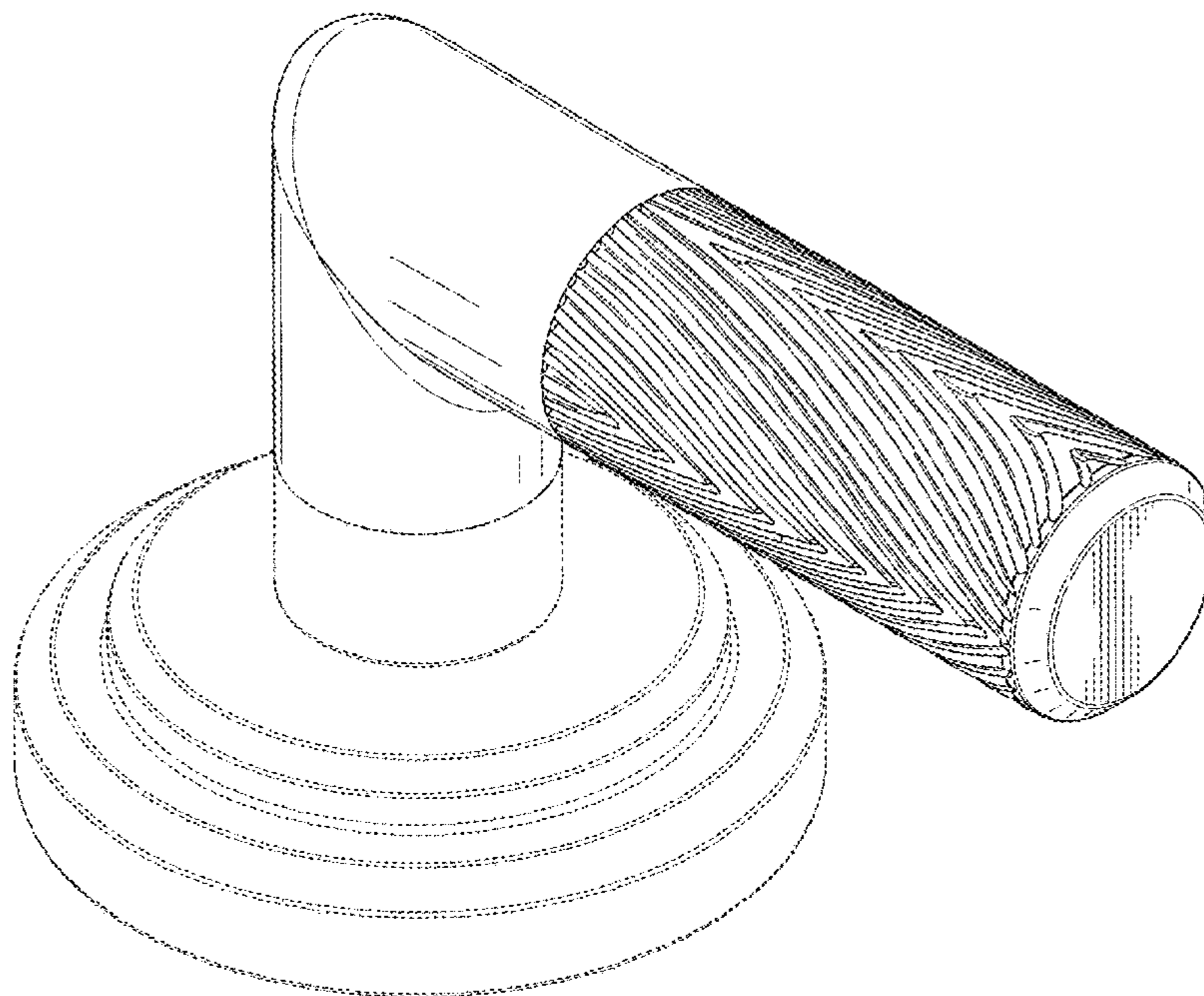
The ornamental design which is claimed is shown in solid lines in the drawings: The broken lines in the drawings form no part of the claimed design. Broken lines formed by equal length dashes show unclaimed subject matter. Broken lines formed of unequal length dashes (i.e., dash-dot) define bounds of the claimed design. Broken away symbols having a jagged element show that no particular length of the portion is claimed.

1 Claim, 6 Drawing Sheets

(56) **References Cited**

U.S. PATENT DOCUMENTS

D318,904 S *	8/1991	Hartkopf	D23/252
D334,230 S *	3/1993	Bonnell	D23/252
D384,401 S *	9/1997	Doughty	D23/241
D522,102 S *	5/2006	Fritz	D23/252
D524,140 S *	7/2006	Kirar	D8/308
D531,267 S	10/2006	Hundley	
D532,866 S	11/2006	Kirar	
D533,924 S	12/2006	Kirar	
D564,634 S *	3/2008	Kirar	D23/250



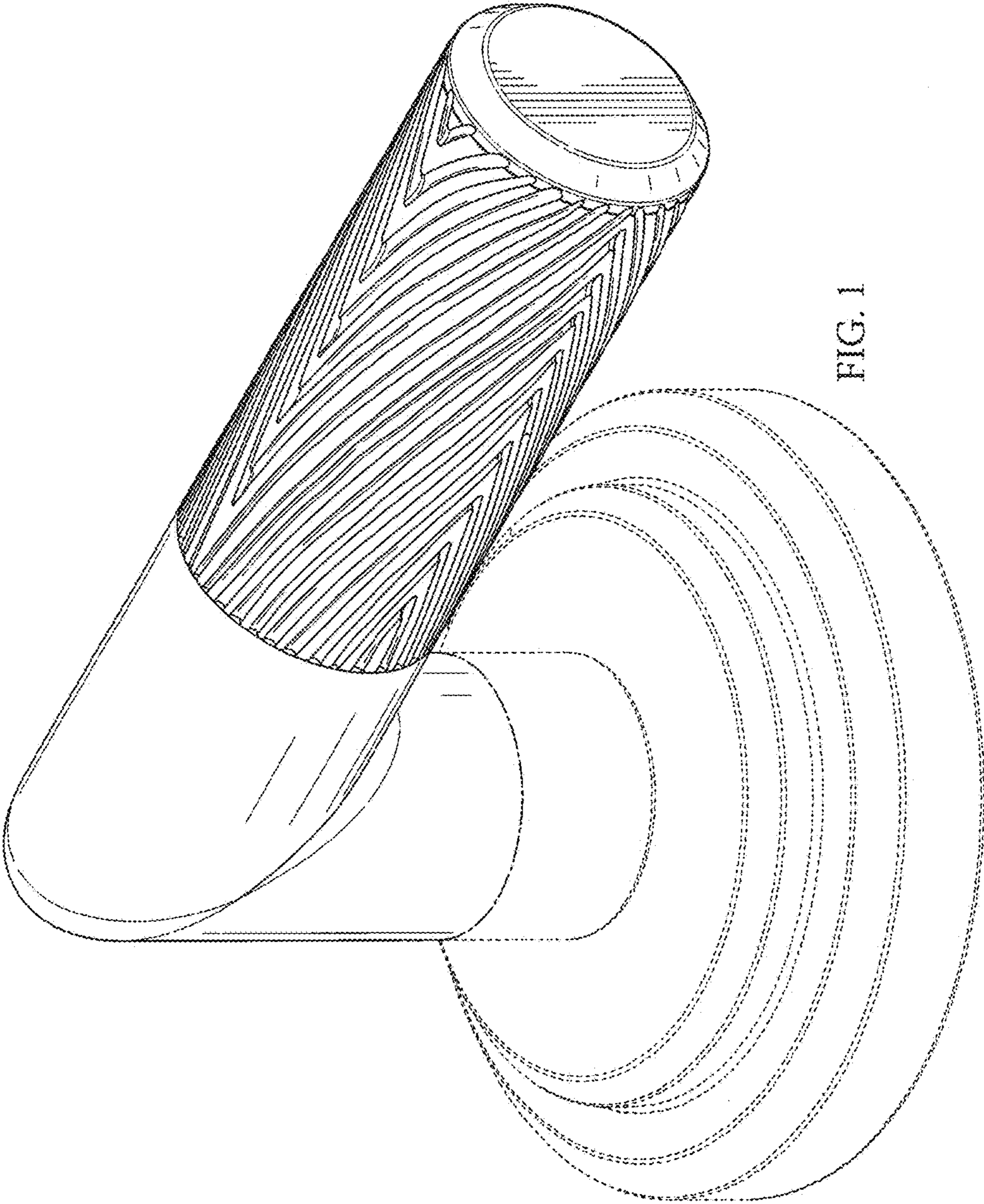


FIG. 1

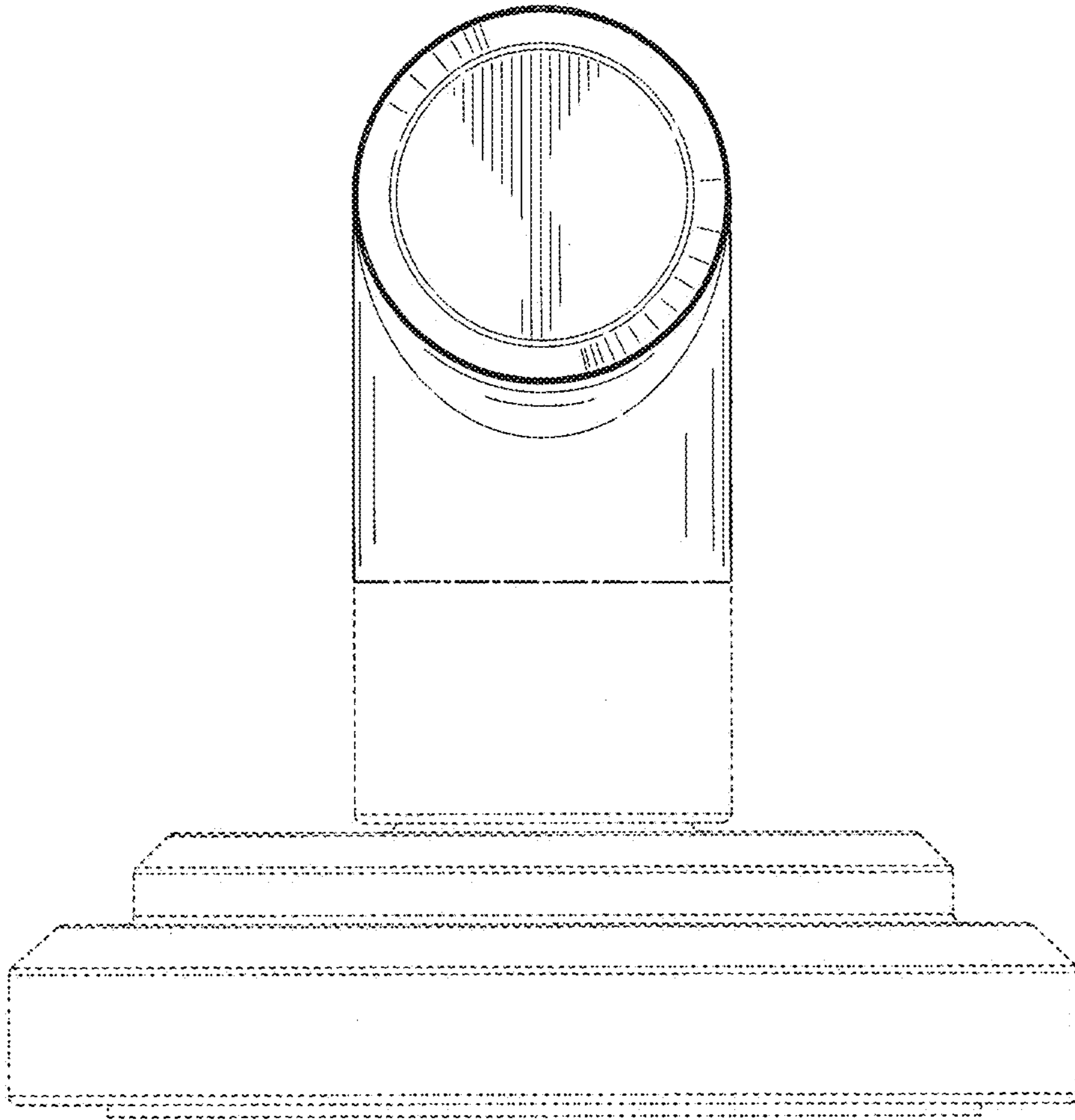


FIG. 2

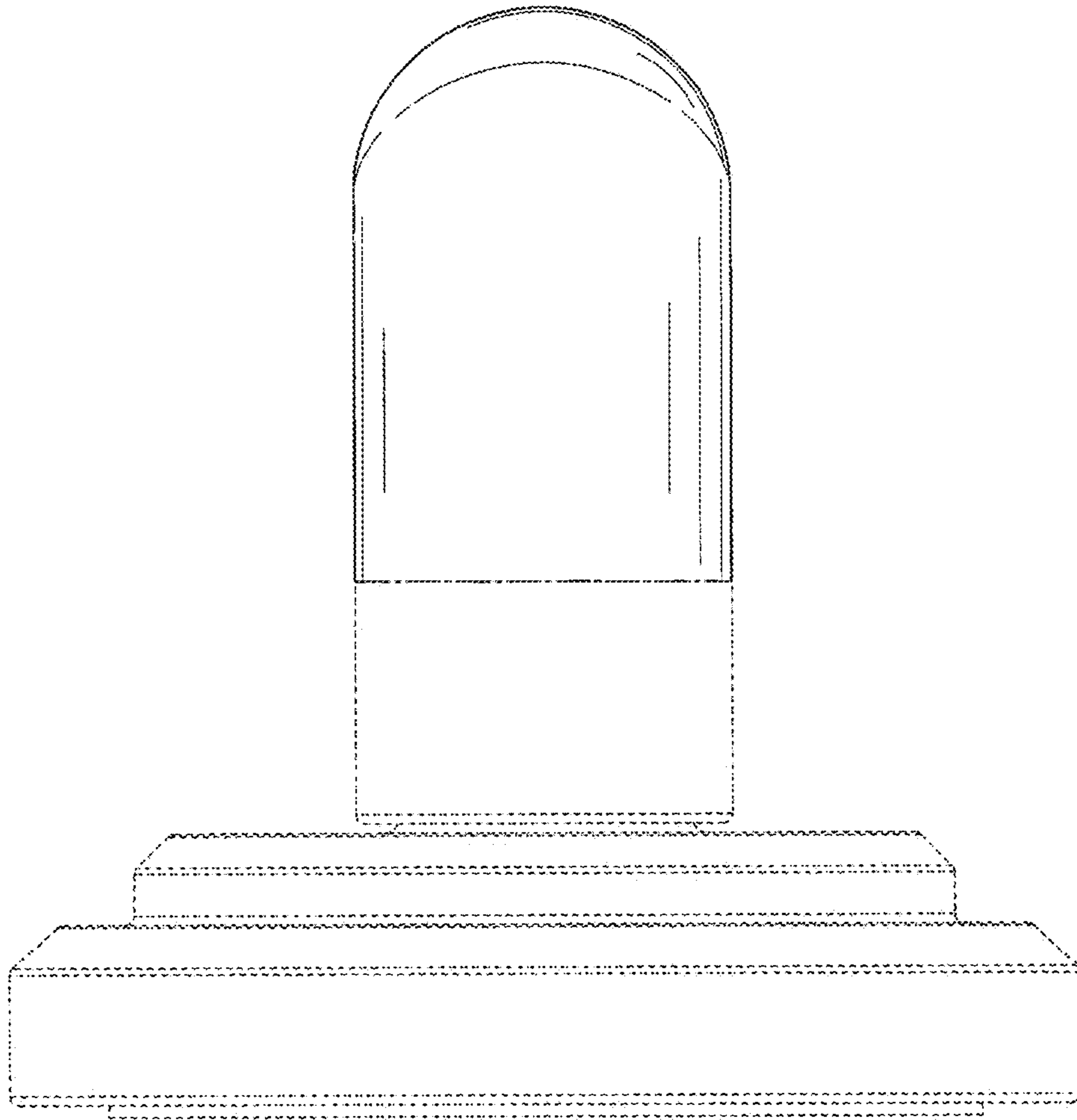
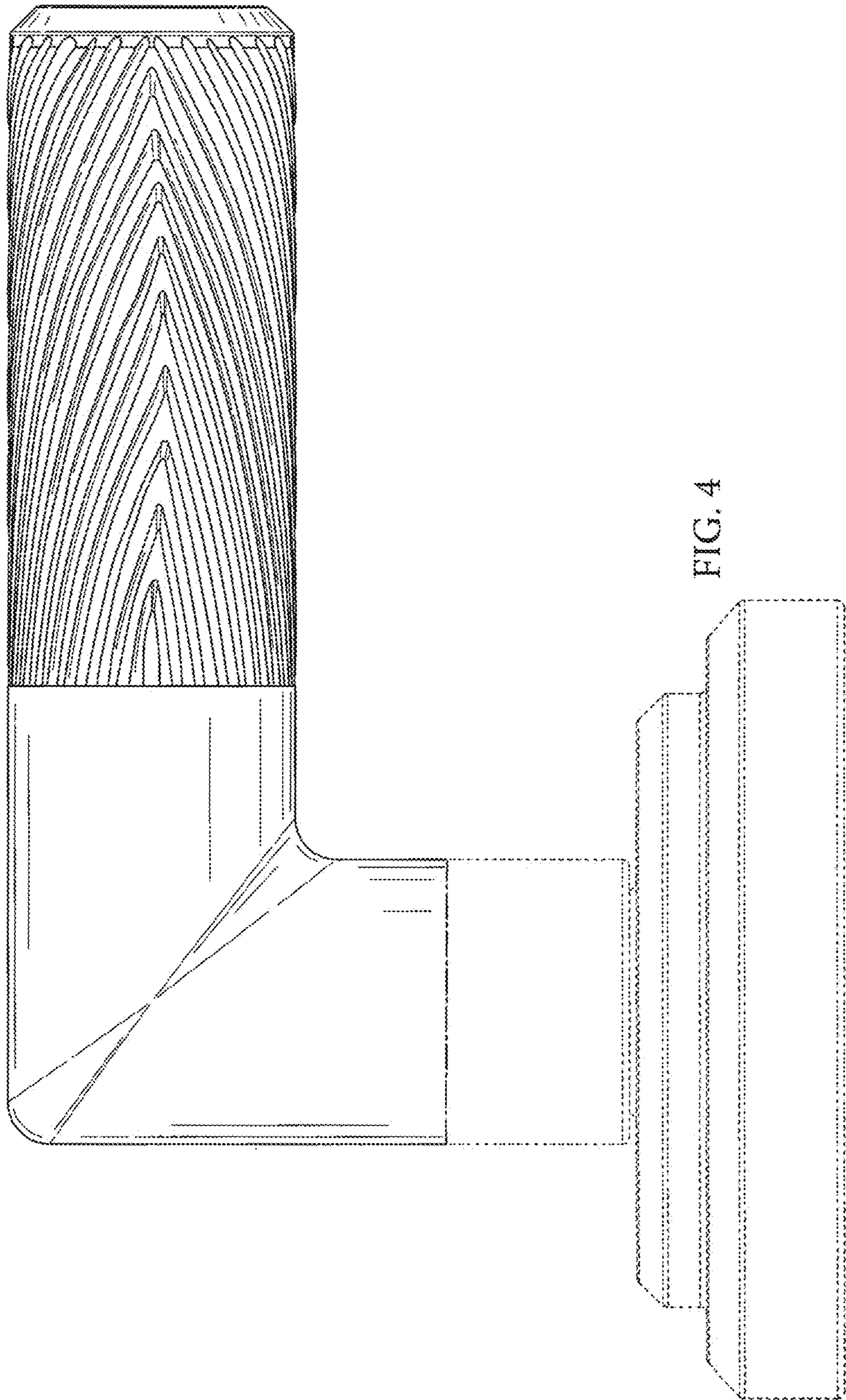


FIG. 3



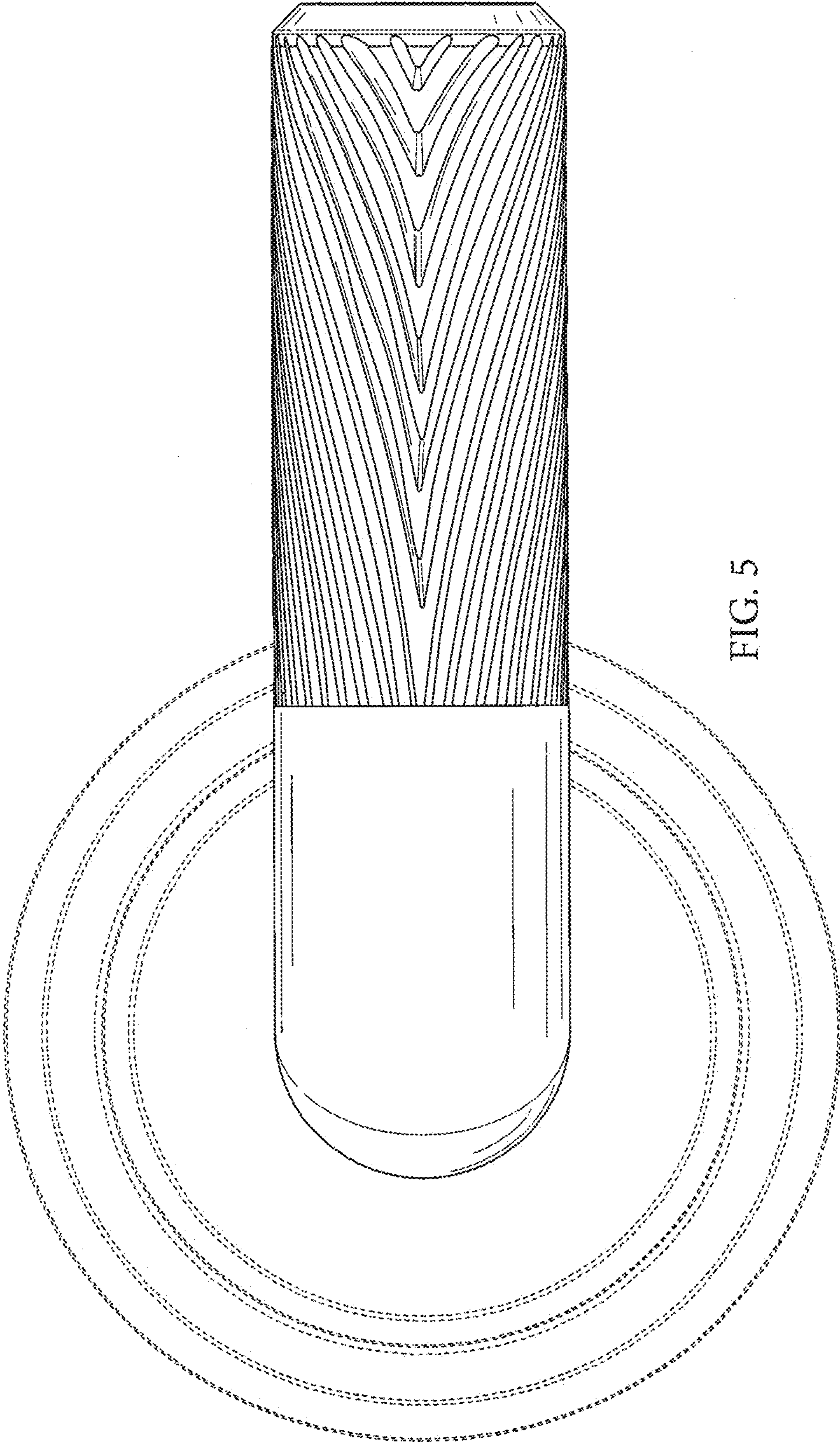


FIG. 5

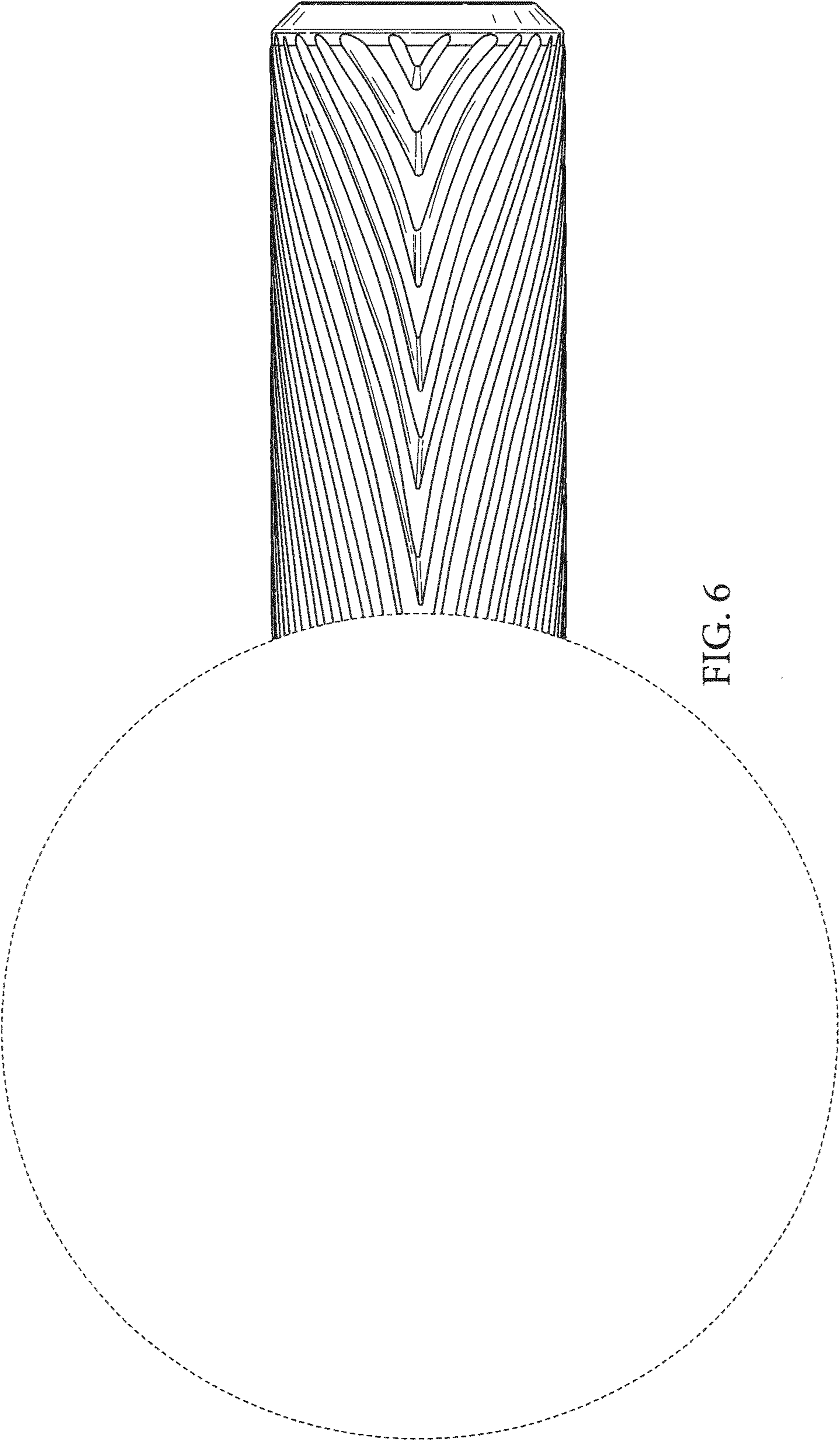


FIG. 6