



US00D787639S

(12) **United States Design Patent**  
**Slothower**

(10) **Patent No.:** **US D787,639 S**

(45) **Date of Patent:** **\*\* May 23, 2017**

- (54) **FAUCET**
- (71) Applicant: **Kohler Co.**, Kohler, WI (US)
- (72) Inventor: **Anna-Pia K. Slothower**, Mill Valley, CA (US)
- (73) Assignee: **KOHLER CO.**, Kohler, WI (US)
- (\*\*) Term: **14 Years**
- (21) Appl. No.: **29/497,939**
- (22) Filed: **Jul. 30, 2014**
- (51) **LOC (10) Cl.** ..... **23-01**
- (52) **U.S. Cl.**  
USPC ..... **D23/252**
- (58) **Field of Classification Search**  
USPC ..... D23/238–243, 250, 252, 254–255, 257  
CPC ..... E03C 1/04; E03C 1/0401; E03C 1/0402;  
E03C 1/0404; F16K 31/602; F16K 31/605; F16K 31/607  
See application file for complete search history.

- D676,933 S 2/2013 Obara et al.
- D694,366 S 11/2013 Hahn et al.
- D700,957 S 3/2014 Mendoza et al.
- D704,802 S 5/2014 Hahn et al.
- D712,521 S 9/2014 Smith et al.
- D726,284 S 4/2015 Huang
- D754,298 S \* 4/2016 Garland ..... D23/242
- D754,823 S \* 4/2016 Garland ..... D23/252

\* cited by examiner

*Primary Examiner* — Robert Delehanty  
(74) *Attorney, Agent, or Firm* — Foley & Lardner LLP

(57) **CLAIM**

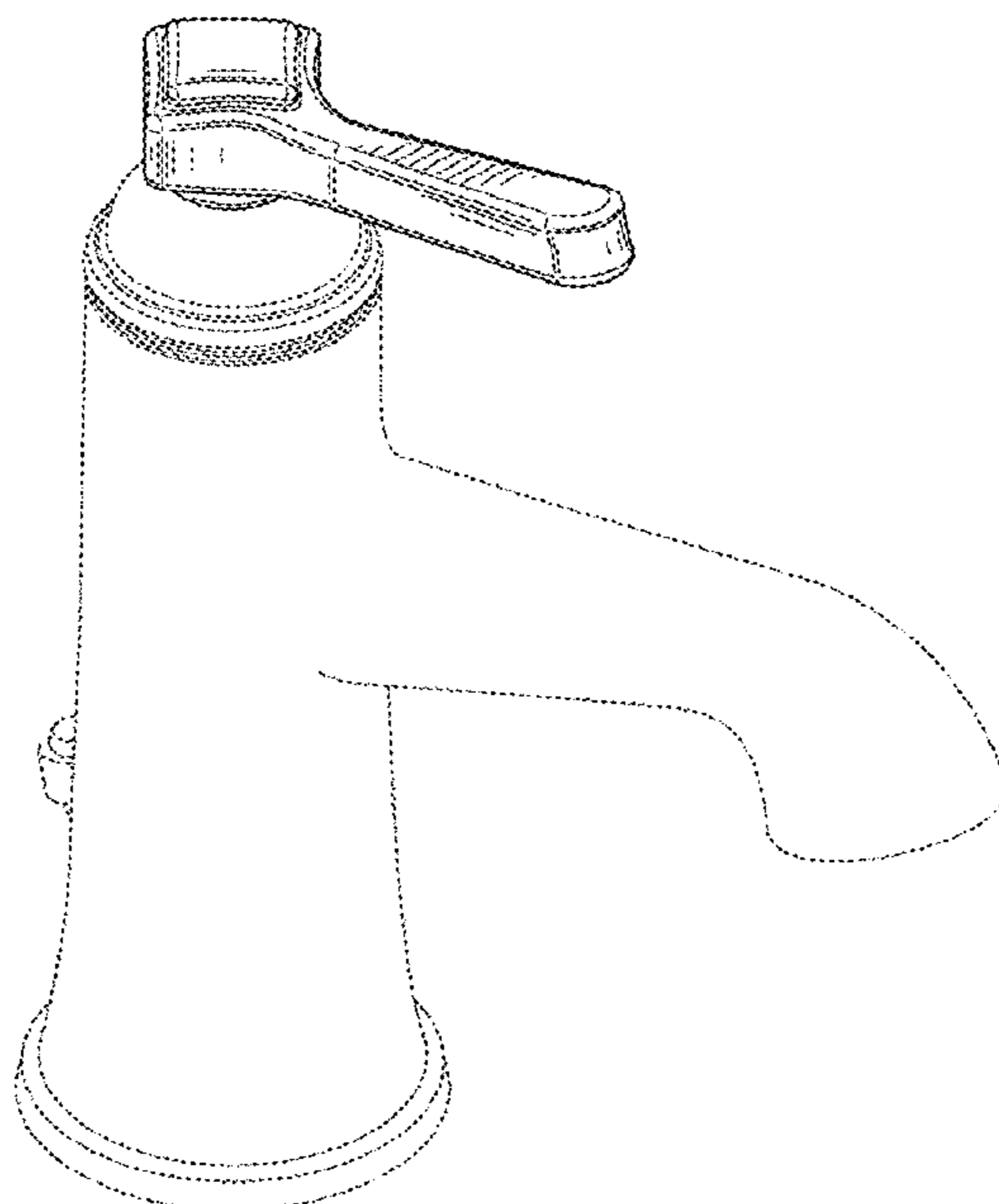
I claim the ornamental design for a faucet, as shown and described.

**DESCRIPTION**

This application is related to U.S. patent application Ser. No. 29/498,006, filed on even date, entitled “Bath Fixtures,” which is incorporated herein by reference in its entirety. FIG. 1 is a top, front, left perspective view of an embodiment of the claimed design; FIG. 2 is a front elevation view thereof; FIG. 3 is a rear elevation view thereof; FIG. 4 is a left elevation view thereof; FIG. 5 is a right elevation view thereof; FIG. 6 is a top plan view thereof; and, FIG. 7 is a bottom plan view thereof. The ornamental design which is claimed is shown in solid lines in the drawings. The broken lines in the drawings form no part of the claimed design. Broken lines formed by equal length dashes show unclaimed subject matter. Broken lines formed by unequal length dashes (i.e., dash-dot) define bounds of the claimed design. Broken away symbols having a jagged element show that no particular length of the portion is claimed.

**1 Claim, 6 Drawing Sheets**

- (56) **References Cited**  
U.S. PATENT DOCUMENTS
- D263,989 S 4/1982 Fleischmann et al.
- D319,294 S 8/1991 Kohler et al.
- D400,651 S 11/1998 Hundley et al.
- D416,986 S 11/1999 Formgren
- D463,536 S 9/2002 Lord
- D501,671 S 2/2005 Bayer
- D508,978 S 8/2005 Otero
- D582,019 S 12/2008 Yuan
- D601,670 S 10/2009 Corbett
- D636,062 S 4/2011 Rubin et al.
- D648,833 S 11/2011 Obara et al.
- D649,224 S 11/2011 McKeone
- D652,488 S 1/2012 Slothower et al.



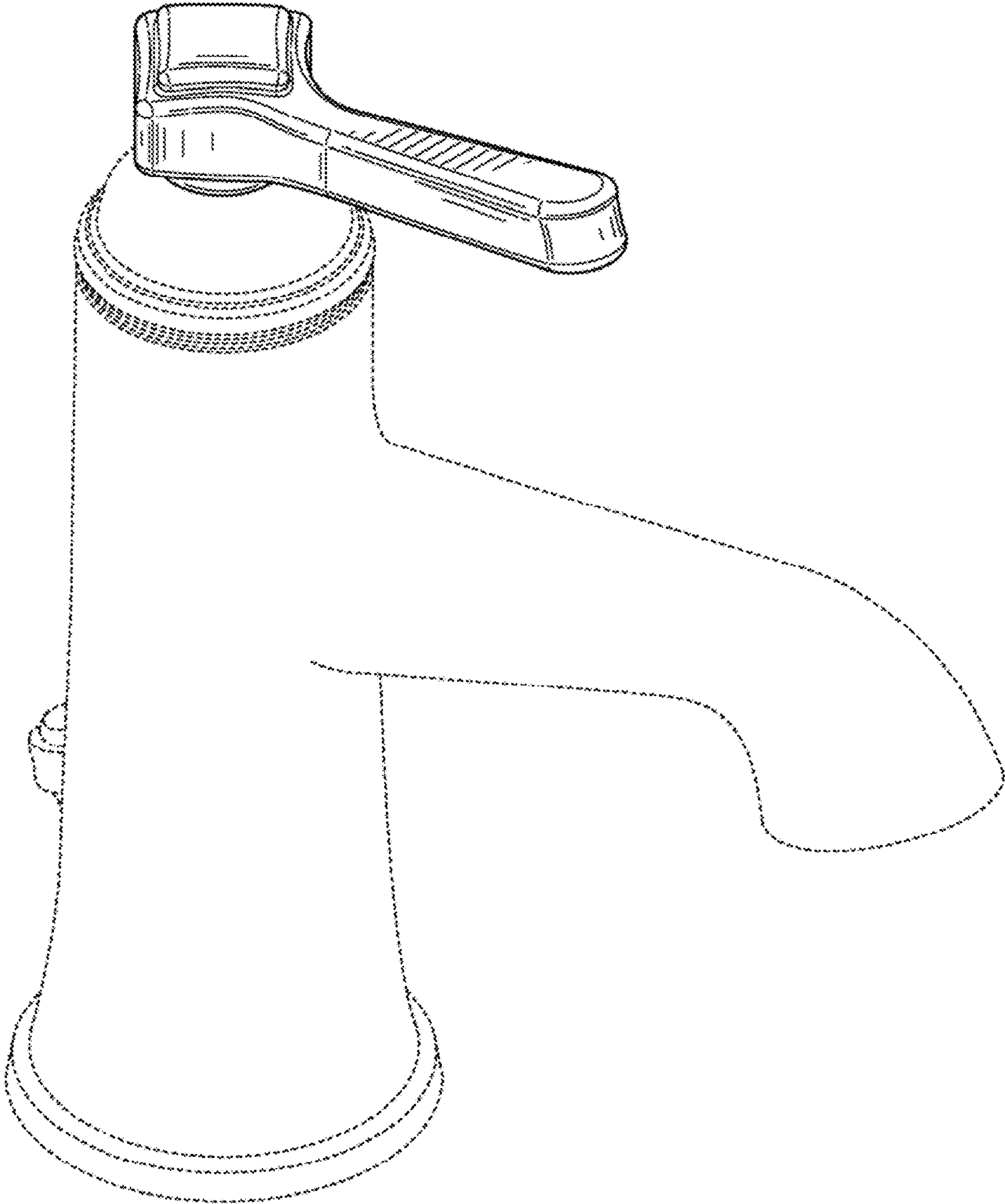


FIG. 1

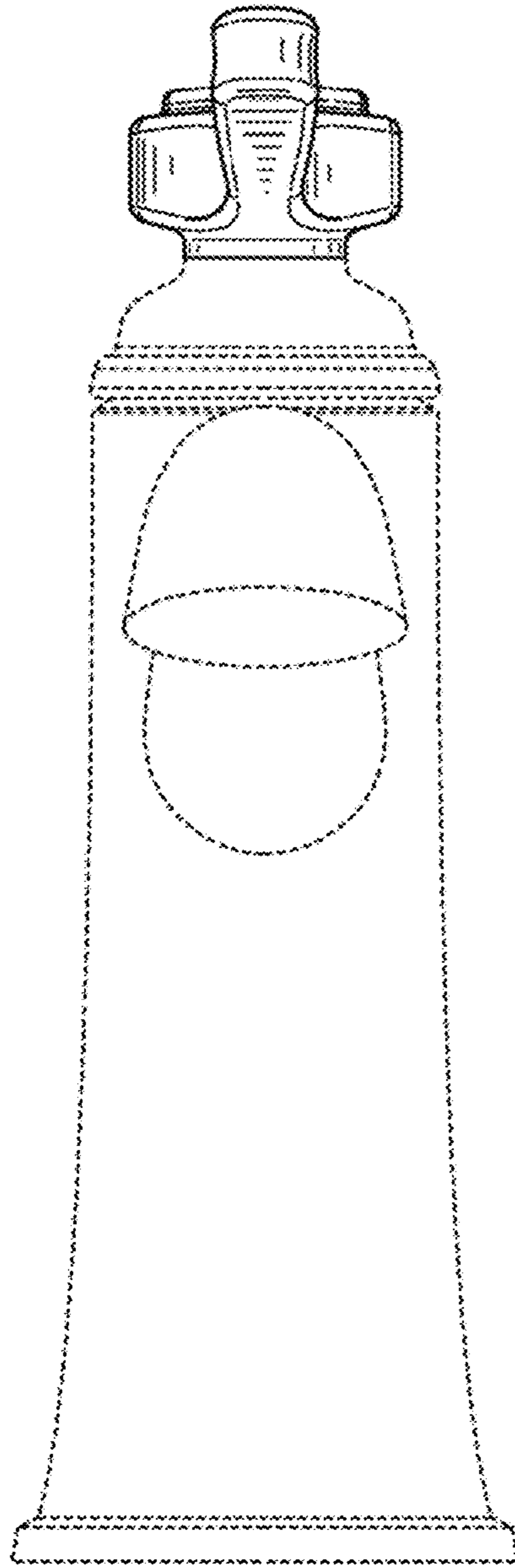


FIG. 2

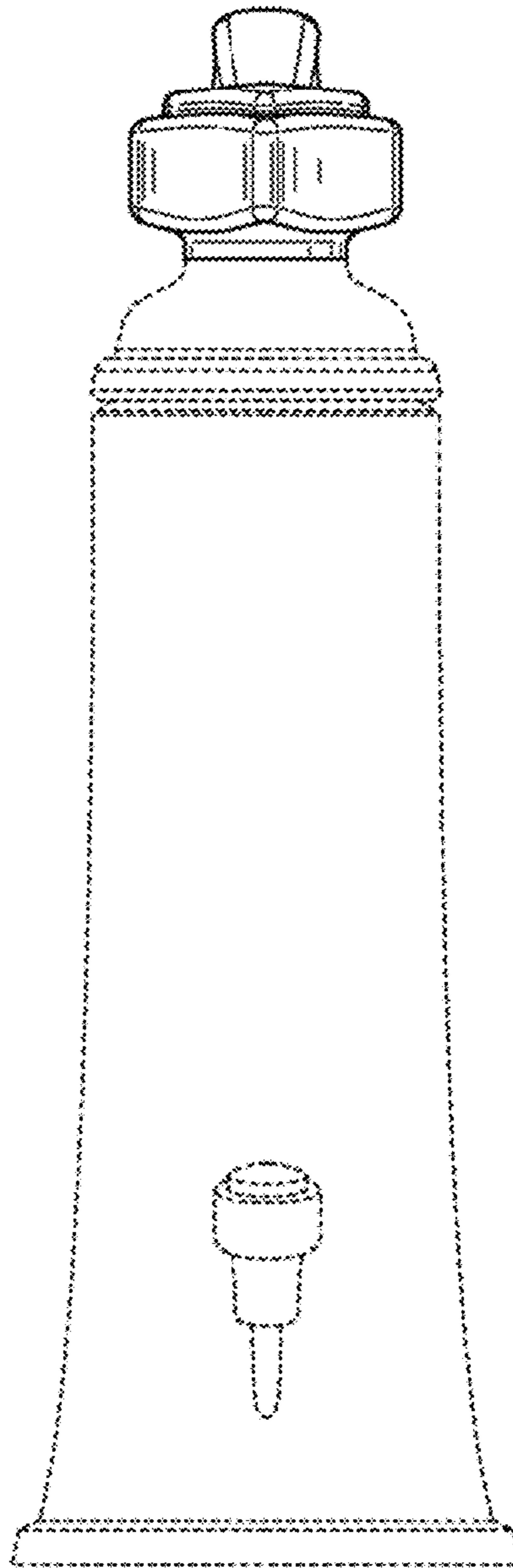


FIG. 3

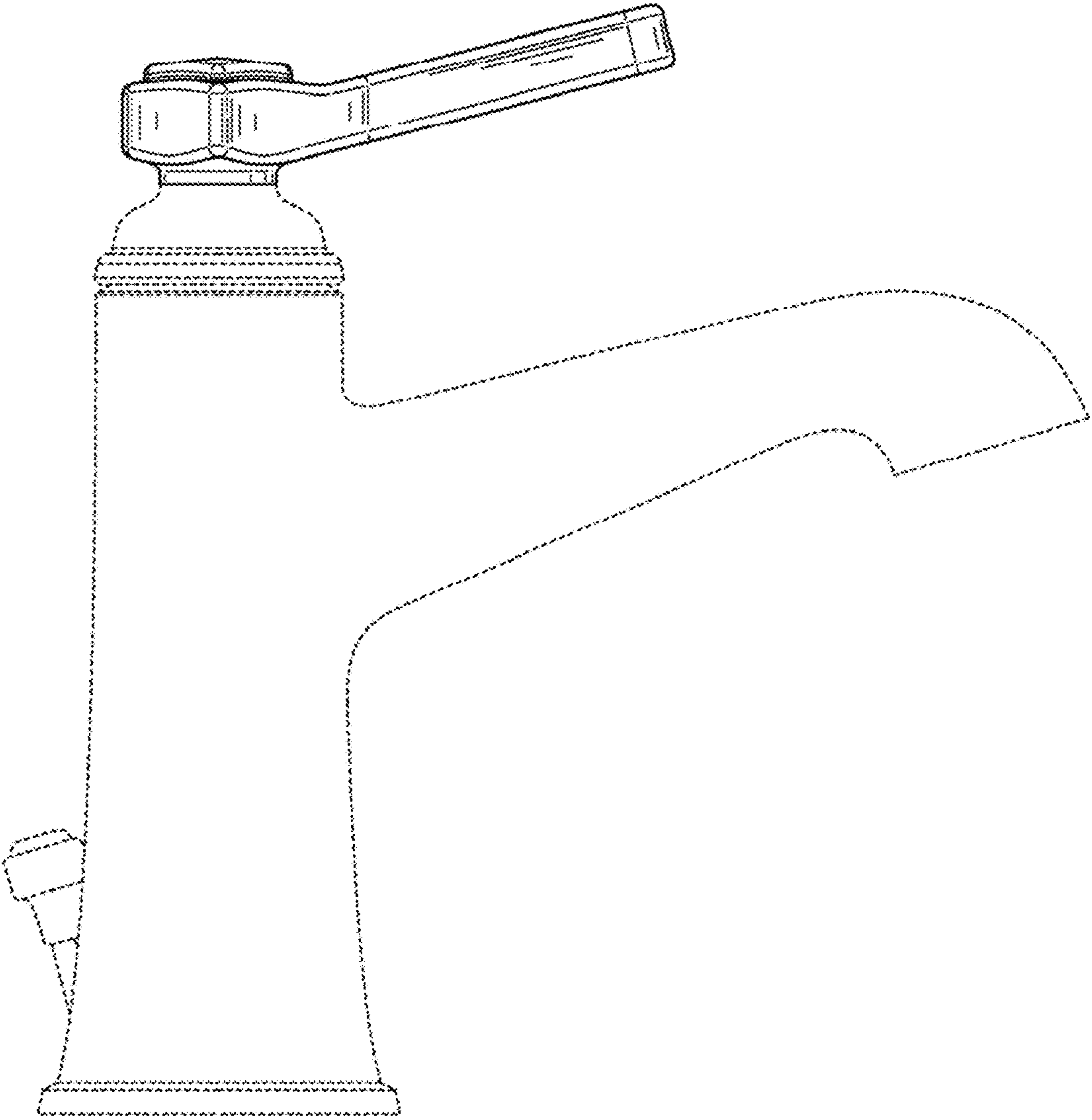


FIG. 4

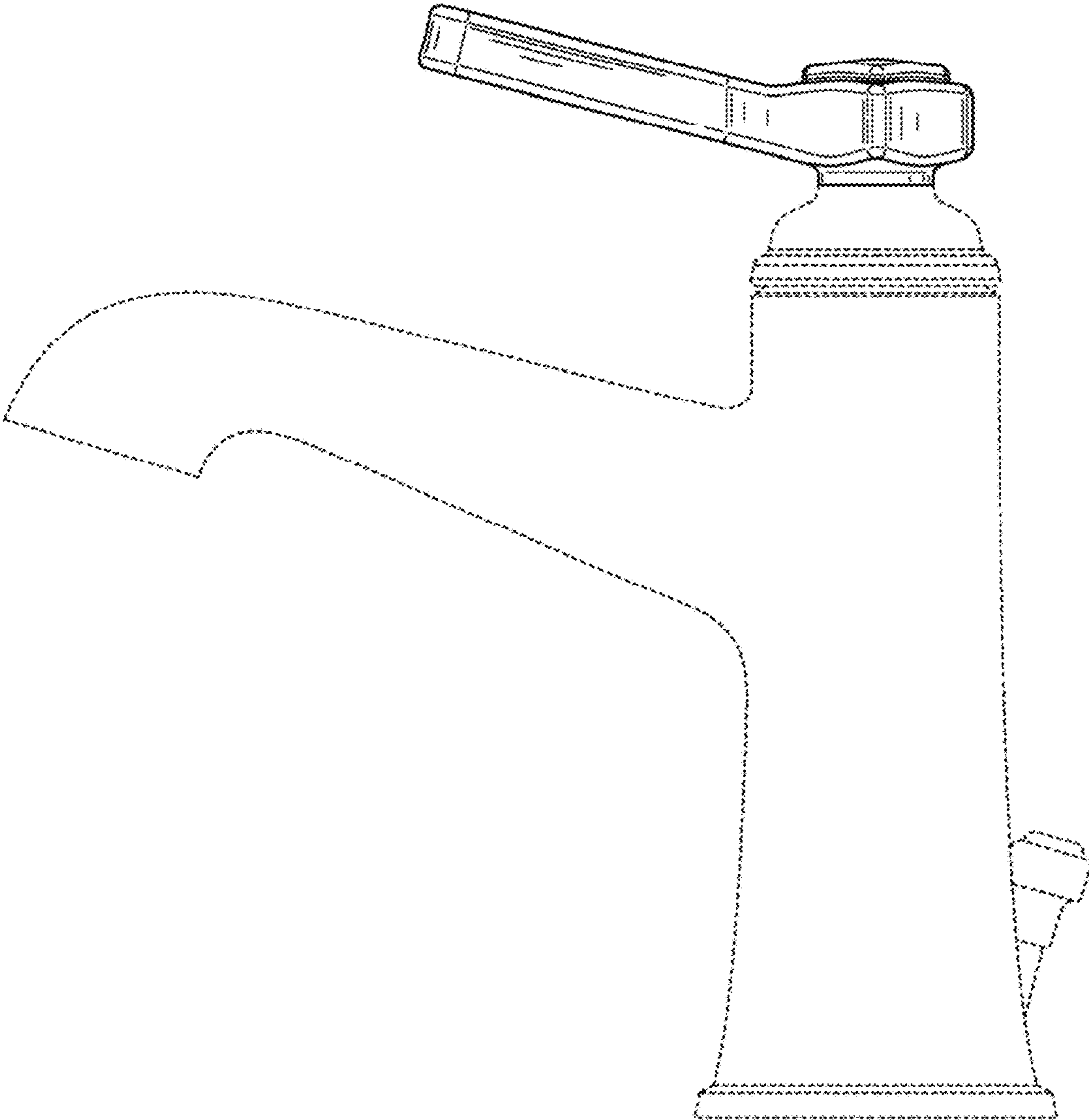


FIG. 5

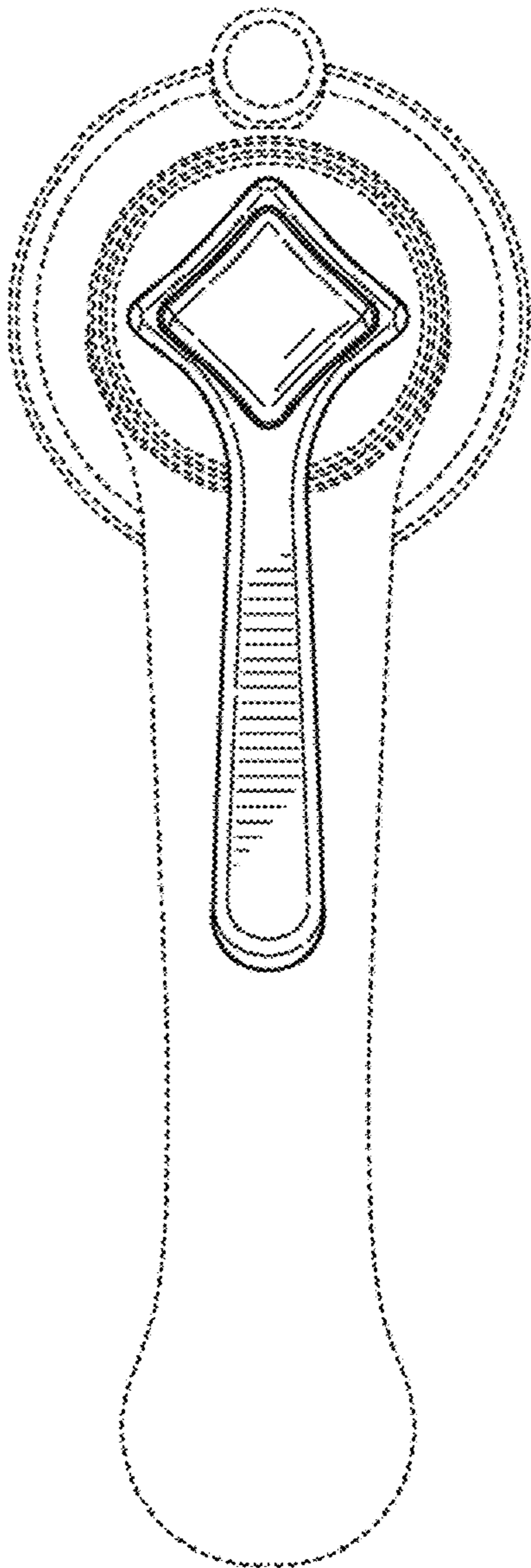


FIG. 6

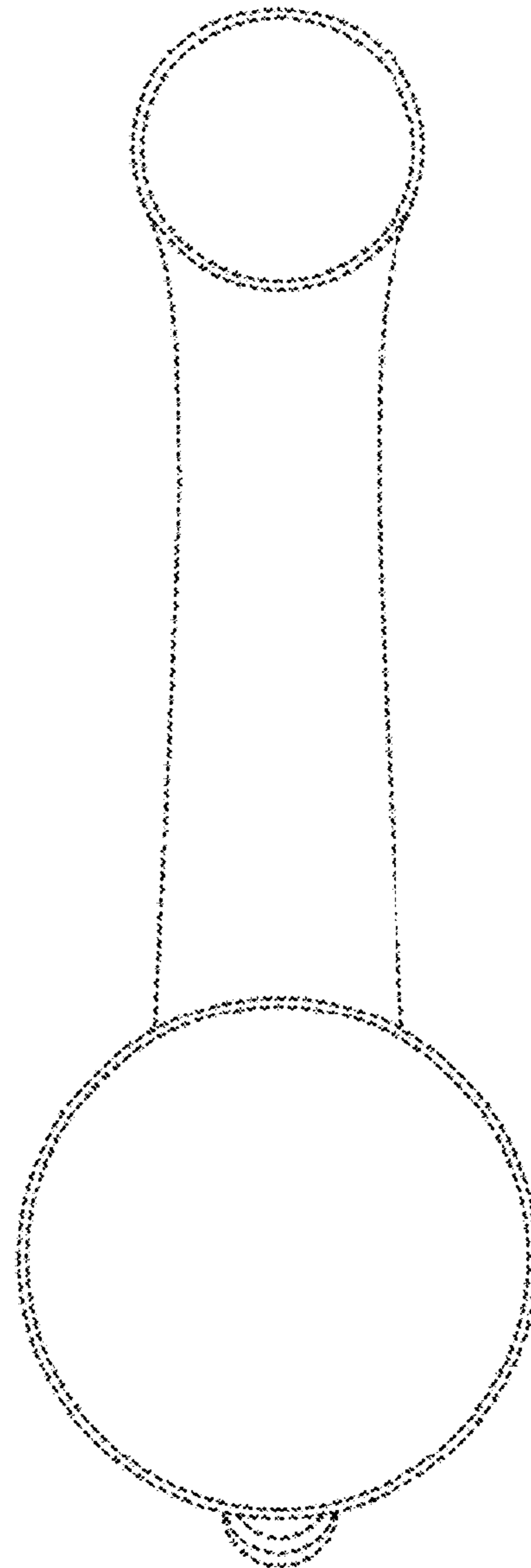


FIG. 7