



US00D787638S

(12) **United States Design Patent** (10) **Patent No.:** **US D787,638 S**
Schoenherr et al. (45) **Date of Patent:** **** May 23, 2017**

(54) **WASH BASIN CONTROL ELEMENT**
(71) Applicant: **HANSGROHE SE**, Schiltach (DE)
(72) Inventors: **Tom Schoenherr**, Stuttgart (DE);
Andreas Diefenbach,
Ludwigsburg-Oßweil (DE); **Yunwei**
Zhu, Stuttgart (DE)
(73) Assignee: **Hansgrohe SE**, Schiltach (DE)
(**) Term: **15 Years**

(21) Appl. No.: **29/559,993**
(22) Filed: **Apr. 1, 2016**

(30) **Foreign Application Priority Data**
Oct. 6, 2015 (EM) 002811992
(51) **LOC (10) Cl.** **23-01**
(52) **U.S. Cl.**
USPC **D23/250**
(58) **Field of Classification Search**
USPC D23/238–243, 249–250, 252, 254
CPC E03C 1/04; E03C 1/0401; E03C 1/0402;
E03C 1/0404
See application file for complete search history.

(56) **References Cited**
U.S. PATENT DOCUMENTS
D285,108 S * 8/1986 Ogilvie D23/254
D597,632 S * 8/2009 Obara D23/250
D613,825 S * 4/2010 Ishikawa D23/254
D646,365 S * 10/2011 Parekh D23/290
D652,898 S * 1/2012 Flowers D23/252
D655,785 S * 3/2012 Fukasawa D23/242
D725,235 S * 3/2015 Barber D23/254
D764,028 S * 8/2016 Schoenherr D23/254
D768,825 S * 10/2016 Lammel D23/250
D774,169 S * 12/2016 Kington D23/254

* cited by examiner
Primary Examiner — Robert Delehanty
(74) *Attorney, Agent, or Firm* — Lora J. Graentzdoerffer

(57) **CLAIM**
The ornamental design for a wash basin control element, as shown and described.

DESCRIPTION
FIG. 1 is a perspective view of a wash basin control element showing our design; and, FIG. 2 is a top plan view.

1 Claim, 2 Drawing Sheets

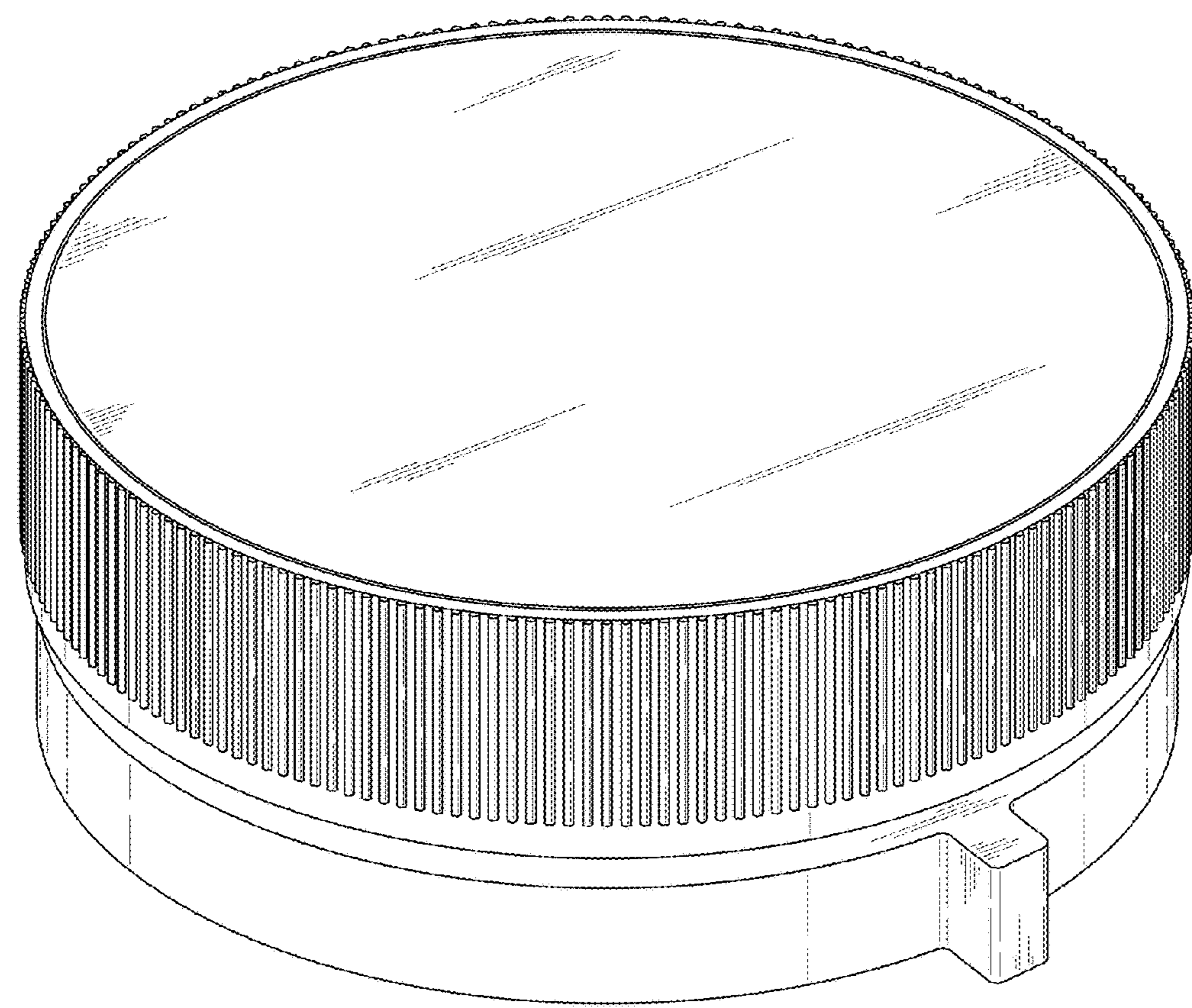


FIG. 1

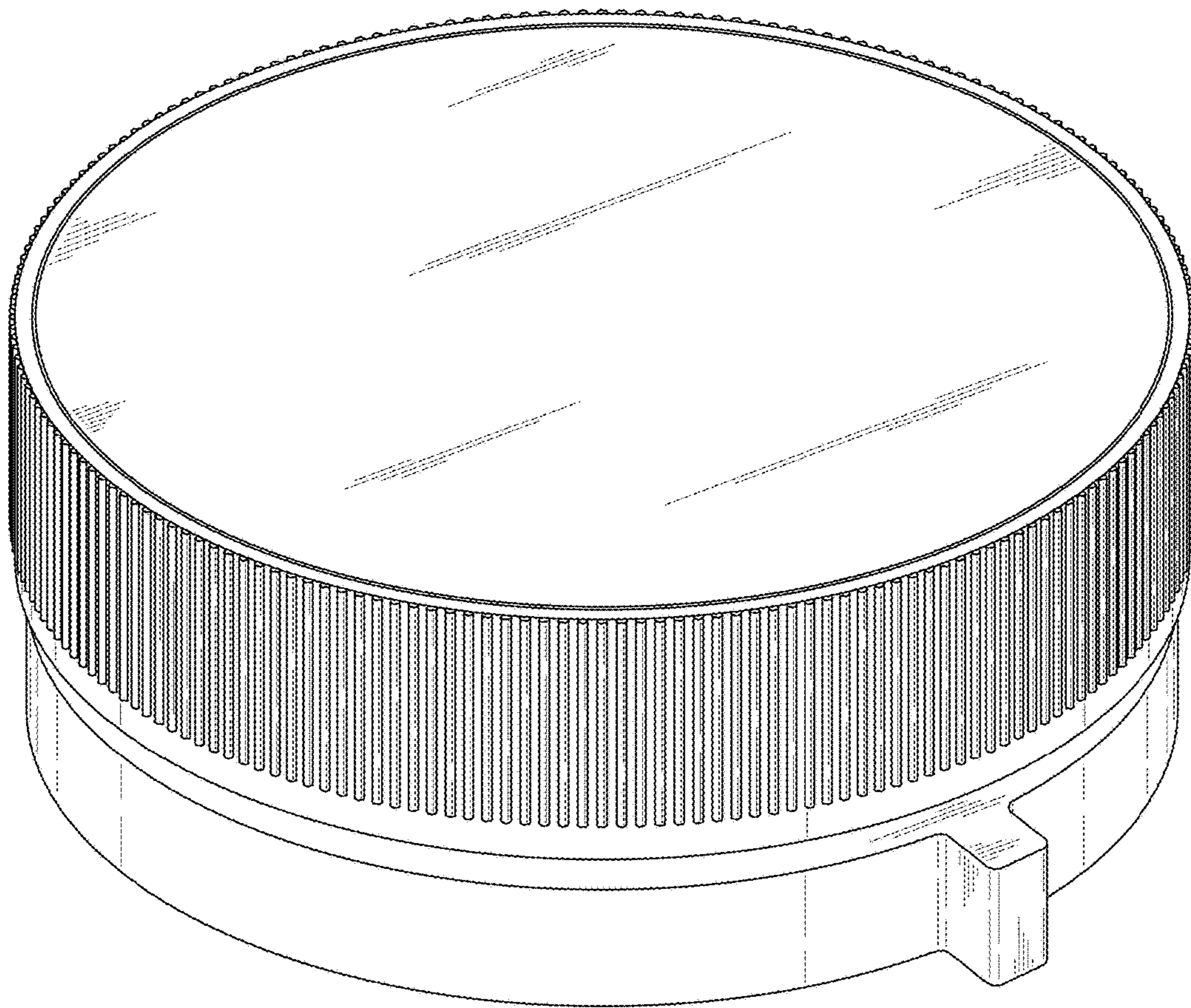


FIG. 2

