



US00D787636S

(12) **United States Design Patent**
Nishikawa

(10) **Patent No.:** **US D787,636 S**

(45) **Date of Patent:** **** May 23, 2017**

(54) **LIQUID PRESSURE-FEEDING MACHINE**

(71) Applicant: **TLV CO., LTD.**, Kakogawa-shi, Hyogo (JP)

(72) Inventor: **Yoshiaki Nishikawa**, Kakogawa (JP)

(73) Assignee: **TLV CO., LTD.**, Kakogawa-shi, Hyogo-ken (JP)

(**) Term: **14 Years**

(21) Appl. No.: **29/522,793**

(22) Filed: **Apr. 2, 2015**

(51) **LOC (10) Cl.** **23-01**

(52) **U.S. Cl.**
USPC **D23/233**

(58) **Field of Classification Search**
USPC D15/4, 5; D23/233–237, 244–249;
417/133, 132
CPC F04B 49/025; F04D 15/0022; F16K 31/26;
F16K 31/265; F16T 1/24; F22D 11/06;
Y10T 137/7387; Y10T 137/308
See application file for complete search history.

(56) **References Cited**

U.S. PATENT DOCUMENTS

248,877 A * 11/1881 Osborne F16T 1/24
137/192
573,556 A * 12/1896 Thompson
et al. F02M 37/0023
137/196
D171,993 S * 4/1954 Wilson D23/245
5,655,888 A * 8/1997 Yumoto F04B 49/025
417/132
D386,985 S * 12/1997 Cameron D10/30

5,755,560 A * 5/1998 Yumoto F04B 49/025
137/196
6,244,829 B1 * 6/2001 Yumoto F16T 1/24
137/165
6,599,096 B1 * 7/2003 Totten F04F 1/06
417/130
D701,943 S * 4/2014 Gaertner D23/233
D711,508 S * 8/2014 Yumoto D23/233
2008/0283126 A1 * 11/2008 Joe F15B 21/048
137/183
2010/0252126 A1 * 10/2010 Roes A01K 39/0213
137/505

* cited by examiner

Primary Examiner — T. Chase Nelson

Assistant Examiner — Ania Aman

(74) *Attorney, Agent, or Firm* — The Webb Law Firm

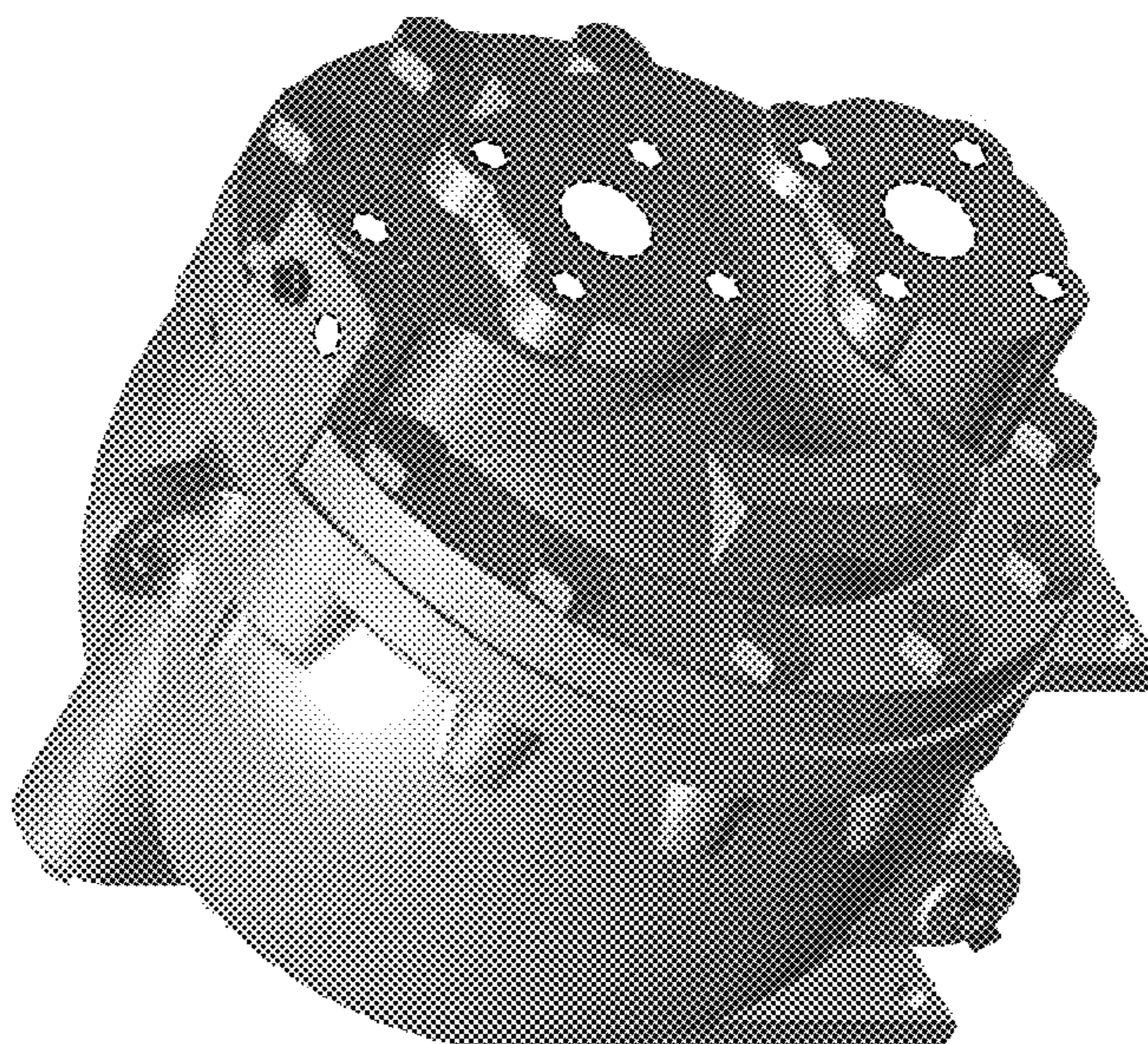
(57) **CLAIM**

The ornamental design for a liquid pressure-feeding machine, as shown and described.

DESCRIPTION

FIG. 1 is a perspective view of a liquid pressure-feeding machine in accordance with the design;
FIG. 2 is a front view thereof;
FIG. 3 is a left view thereof;
FIG. 4 is a right view thereof;
FIG. 5 is a rear view thereof;
FIG. 6 is a top view thereof; and,
FIG. 7 is a bottom view thereof.
The portions of the liquid pressure-feeding machine shown in broken lines form no part of the claimed design.

1 Claim, 7 Drawing Sheets



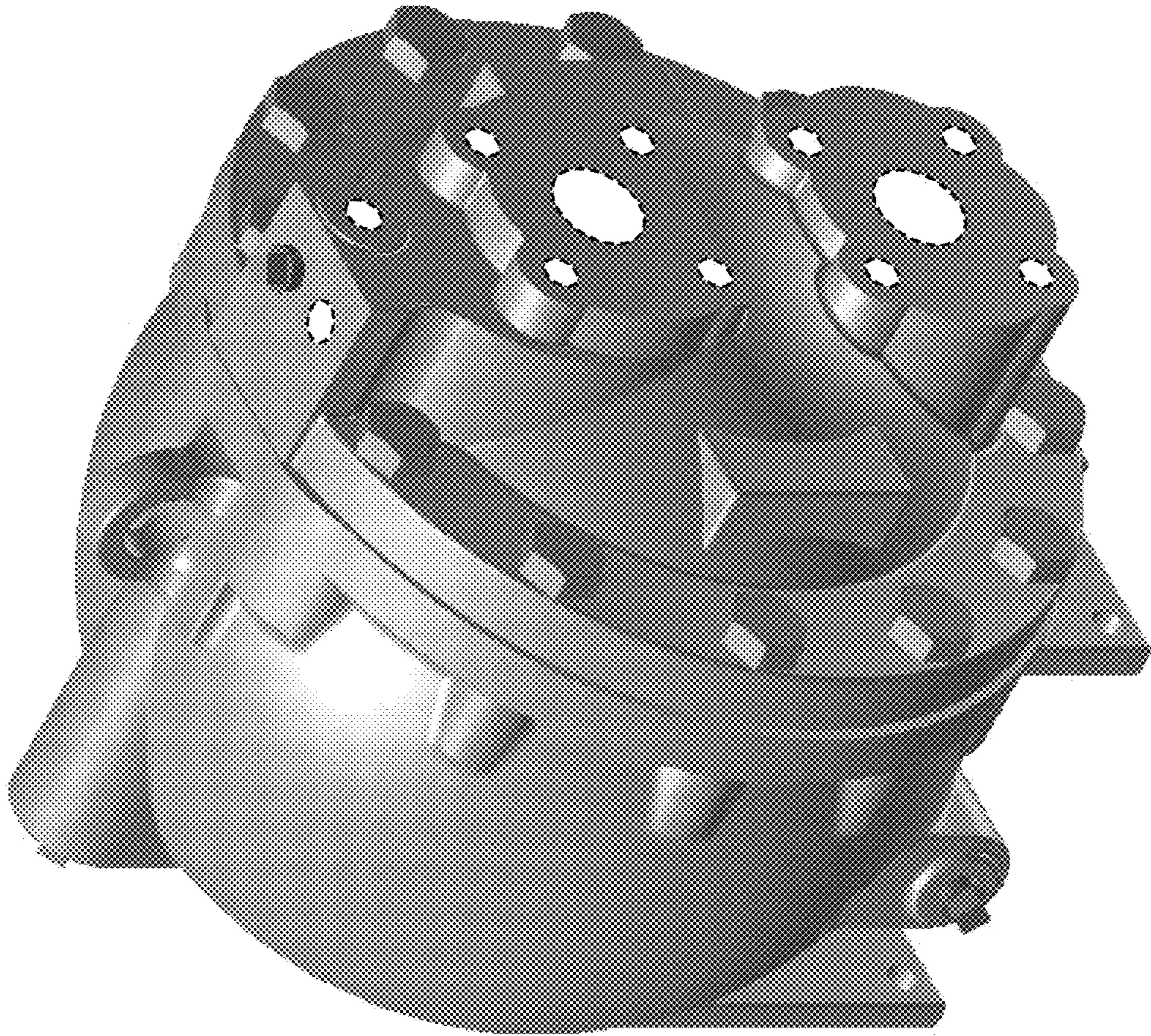


FIG. 1

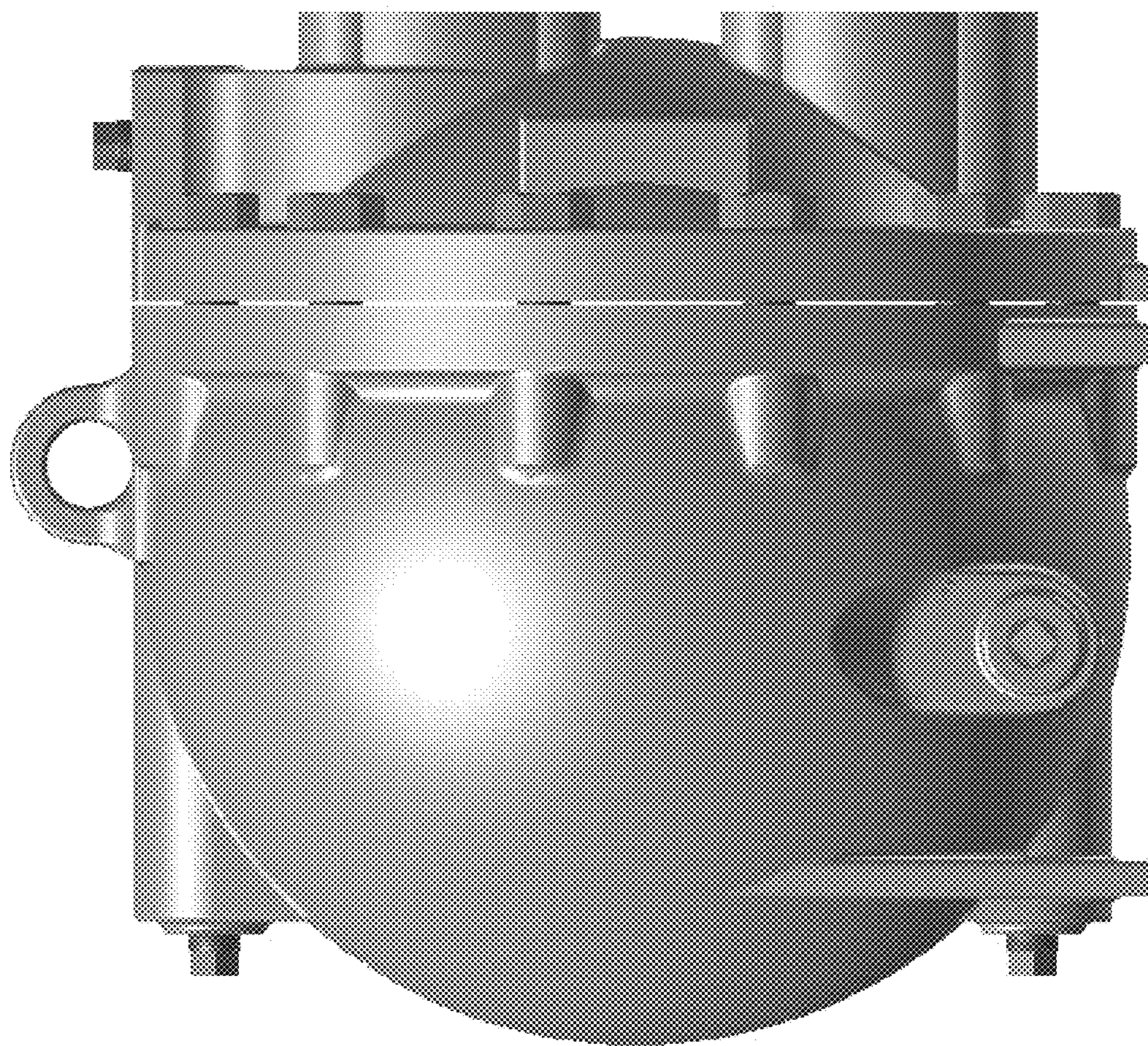


FIG. 2

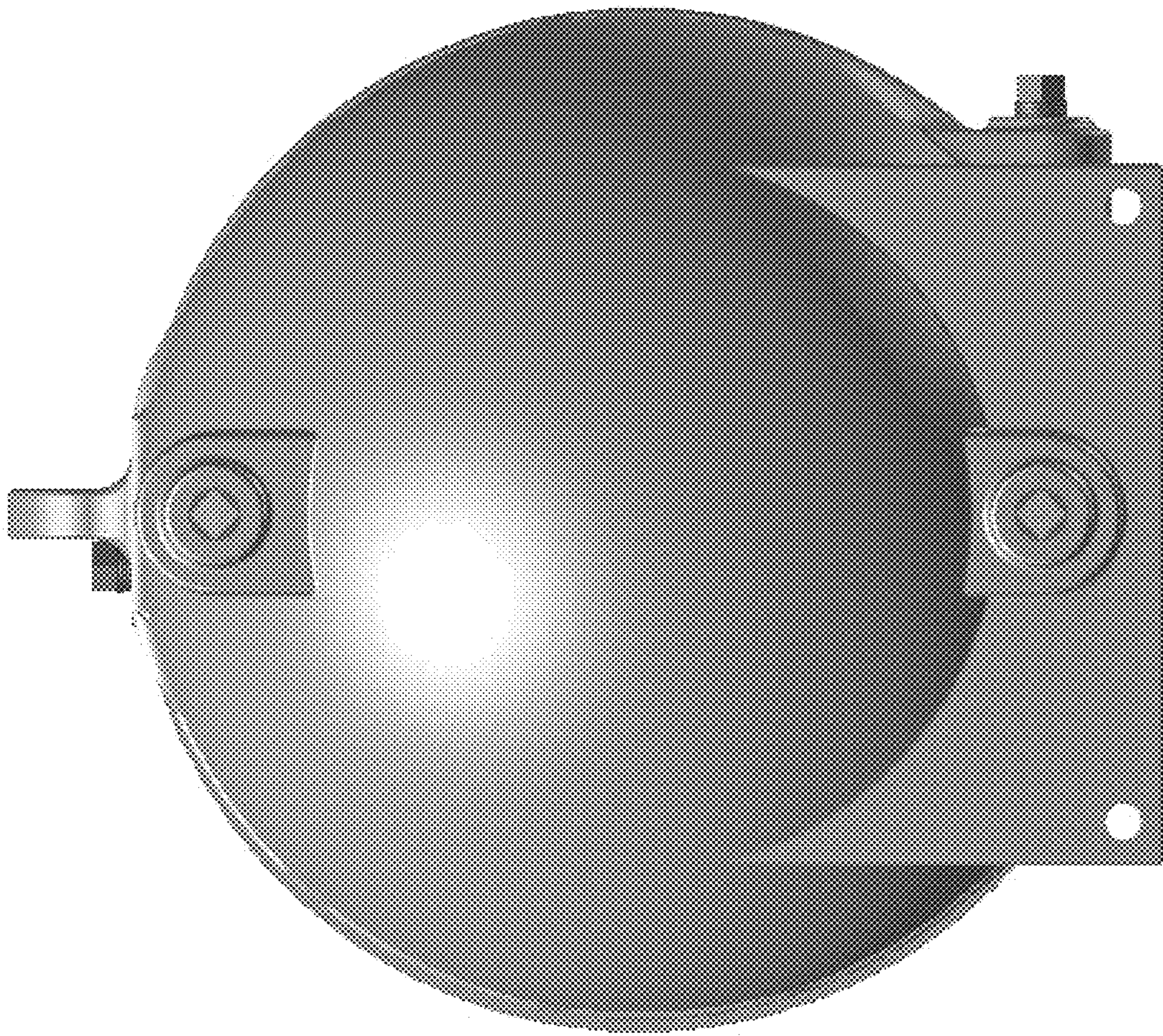


FIG. 3

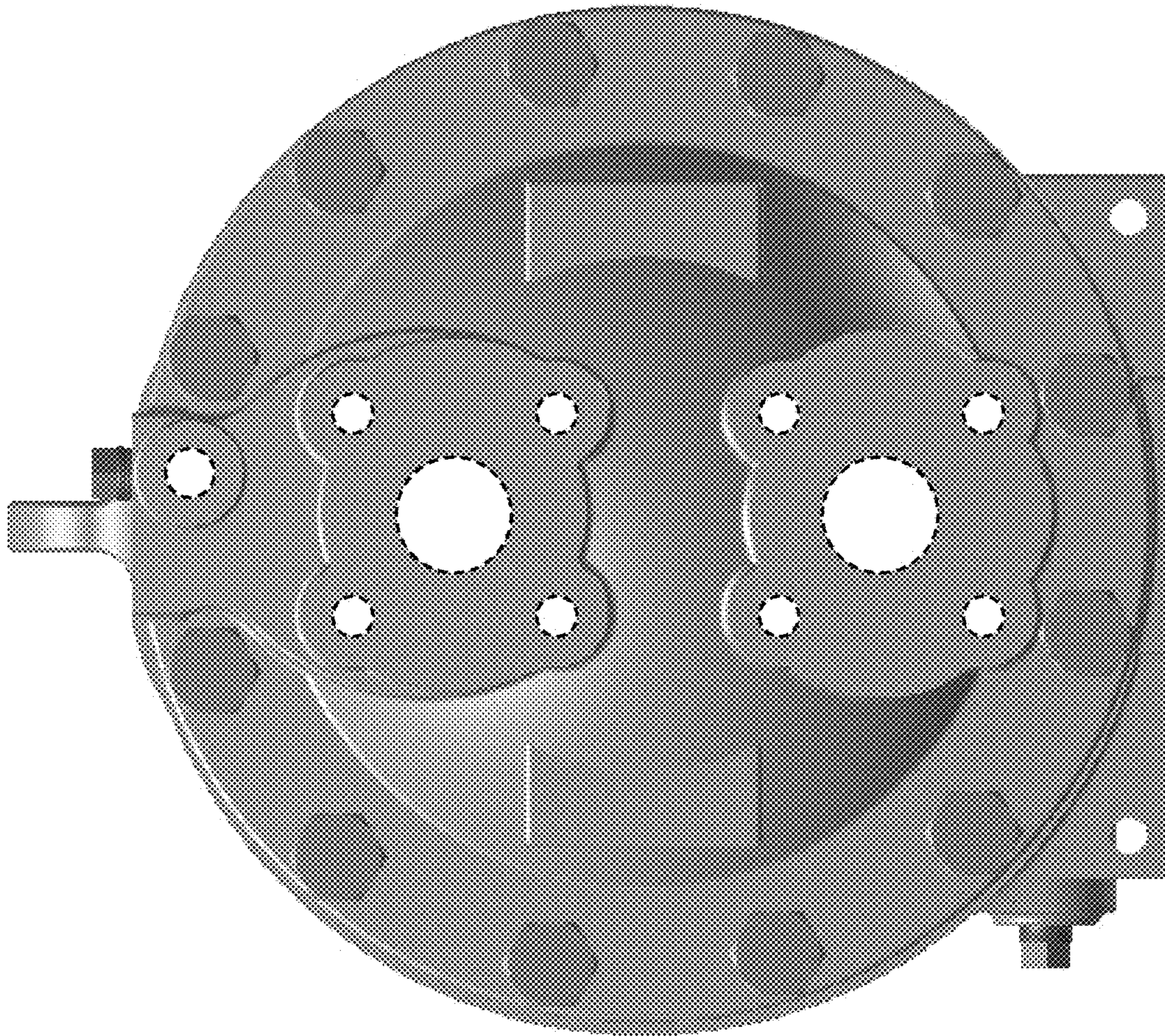


FIG. 4

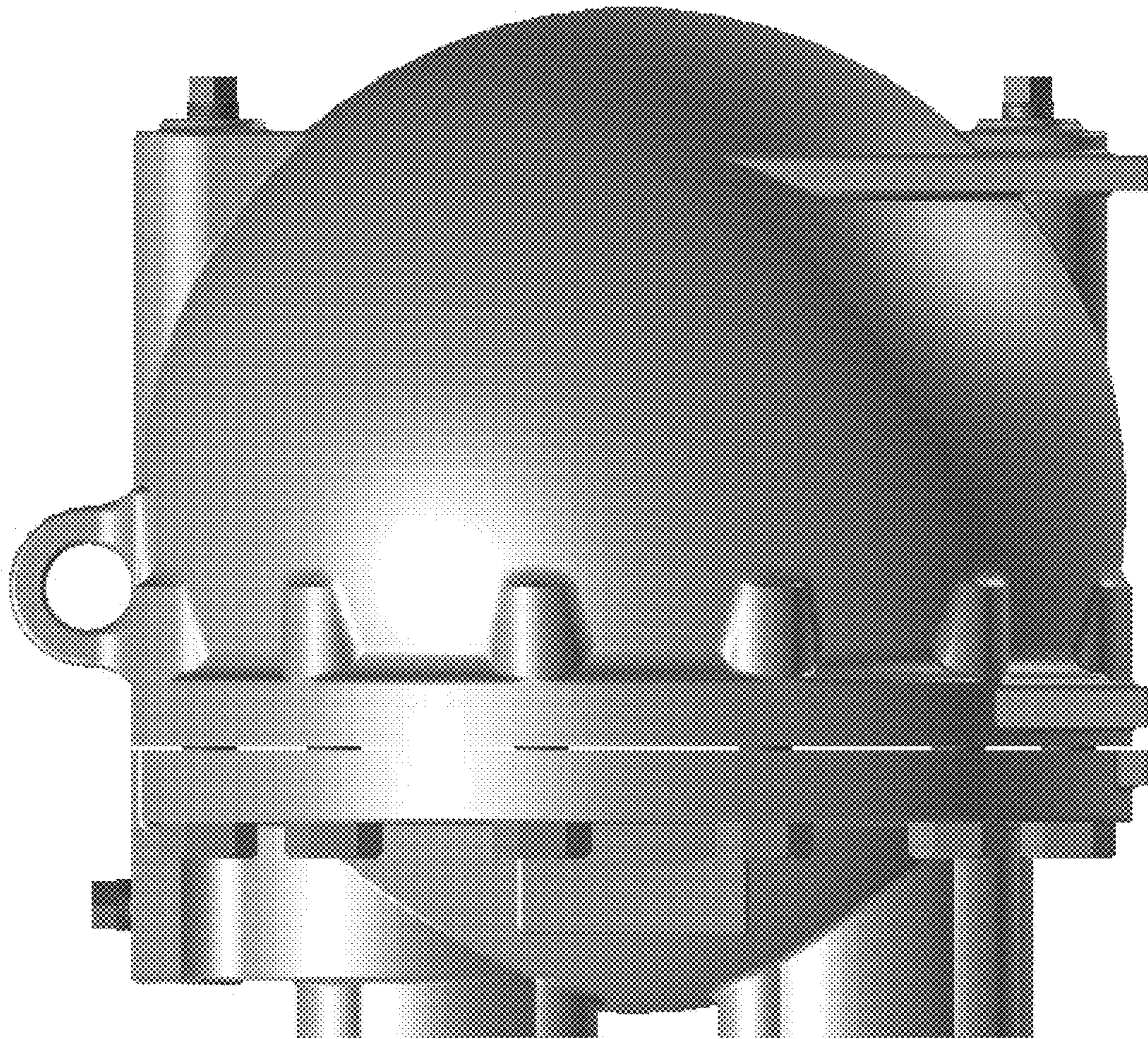


FIG. 5

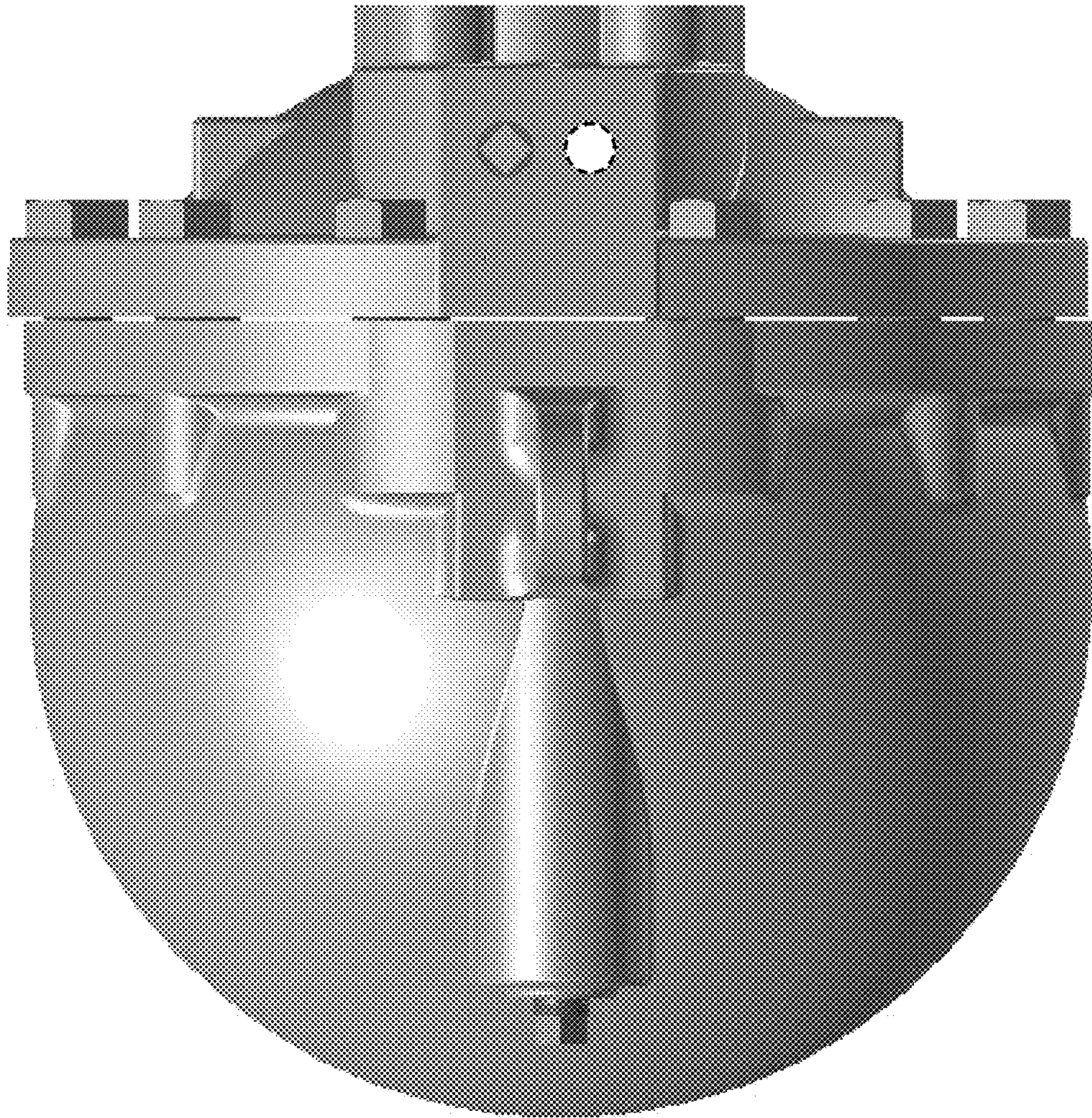


FIG. 6

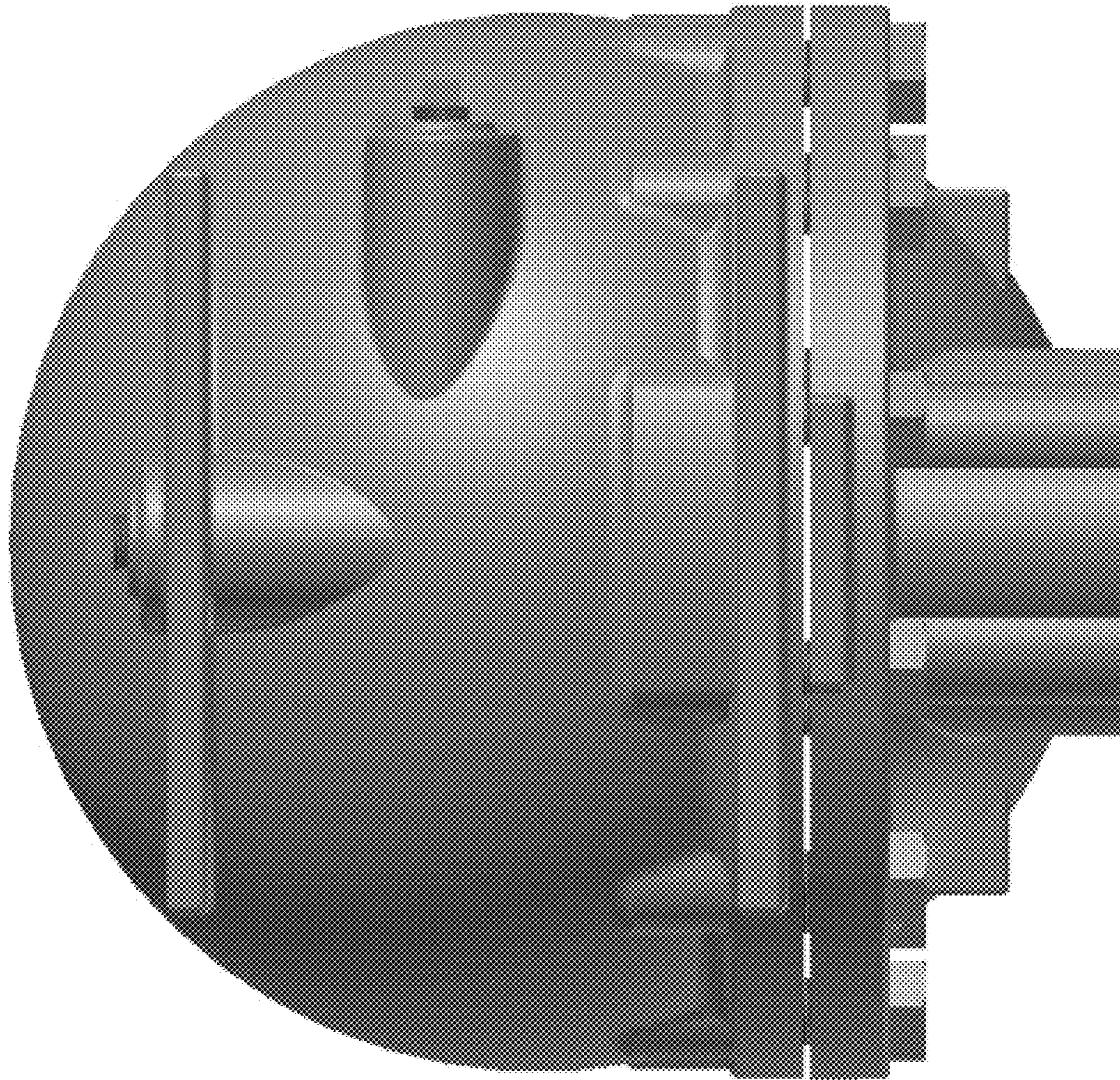


FIG. 7

UNITED STATES PATENT AND TRADEMARK OFFICE
CERTIFICATE OF CORRECTION

PATENT NO. : D787,636 S
APPLICATION NO. : 29/522793
DATED : May 23, 2017
INVENTOR(S) : Yoshiaki Nishikawa

Page 1 of 1

It is certified that error appears in the above-identified patent and that said Letters Patent is hereby corrected as shown below:

On the Title Page

Column 1, Item (30) Foreign Application Priority Data, insert -- Oct. 2, 2014 (JP) 2014-021969 --

Signed and Sealed this
Seventeenth Day of October, 2017



Joseph Matal
*Performing the Functions and Duties of the
Under Secretary of Commerce for Intellectual Property and
Director of the United States Patent and Trademark Office*