



US00D787635S

(12) **United States Design Patent** (10) **Patent No.:** **US D787,635 S**
Tseng et al. (45) **Date of Patent:** **** May 23, 2017**

(54) **SHOWER ASSEMBLY**
(71) Applicant: **TONUSA, LLC**, City of Industry, CA (US)
(72) Inventors: **Dan Tseng**, City of Industry, CA (US); **Rob Chao**, City of Industry, CA (US)
(73) Assignee: **Tonusa, LLC**, City of Industry, CA (US)
(**) Term: **15 Years**
(21) Appl. No.: **29/555,767**
(22) Filed: **Feb. 24, 2016**
(51) **LOC (10) Cl.** **23-01**
(52) **U.S. Cl.**
USPC **D23/228**
(58) **Field of Classification Search**
USPC D23/213, 228, 304; 4/552, 567, 561.1, 4/570, 597, 600, 605, 612, 615
CPC E03C 1/06
See application file for complete search history.

(56) **References Cited**

U.S. PATENT DOCUMENTS

D391,341 S *	2/1998	Sutherland	D23/228
D541,394 S *	4/2007	Toyohara	D23/304
D542,395 S *	5/2007	Bosio	D23/304
D550,337 S *	9/2007	Stein	D23/304
D559,949 S *	1/2008	Bickler	D23/228
D575,846 S *	8/2008	Lobermeier	D23/228
D591,837 S *	5/2009	Zetsche	D23/304
D612,453 S *	3/2010	Schoenherr	D23/228
D648,825 S *	11/2011	Ando	D23/228
D689,983 S *	9/2013	Wilson	D23/228
D702,817 S *	4/2014	Ryu	D23/228
D719,640 S *	12/2014	Yu	D23/228

OTHER PUBLICATIONS

U.S. Appl. No. 29/555,766, filed Feb. 24, 2016, Tseng et al.
U.S. Appl. No. 29/555,769, filed Feb. 24, 2016, Tseng et al.

U.S. Appl. No. 29/555,770, filed Feb. 24, 2016, Tseng et al.
U.S. Appl. No. 29/555,771, filed Feb. 24, 2016, Tseng et al.
"3-Jet Shower Tower System in White," OVE Decors, Unknown date, retrieved from <http://www.homedepot.com/p/DreamLine-54-5-in-Hydrotherapy-6-Jet-Shower-Panel-System-in-Satin-SHCM-27180/205115125>, retrieved on Apr. 6, 2016, 2 pages.
"54.5 in. Hydrotherapy 6-Jet Shower Panel System in Satin," DreamLine, Unknown date, retrieved from <http://www.homedepot.com/p/DreamLine-54-5-in-Hydrotherapy-6-Jet-Shower-Panel-System-in-Satin-SHCM-27180/205115125>, retrieved on Apr. 6, 2016, 2 pages.
"6-Jet Shower System with Directional Showerhead in Stainless Steel," Aston Global Inc., Unknown date, retrieved from <http://www.homedepot.com/p/Aston-6-Jet-Shower-System-with-Directional-Showerhead-in-Stainless-Steel-SPSS304/202770993>, retrieved on Apr. 6, 2016, 2 pages.

(Continued)

Primary Examiner — Robin V Webster
(74) *Attorney, Agent, or Firm* — Sheridan Ross P.C.

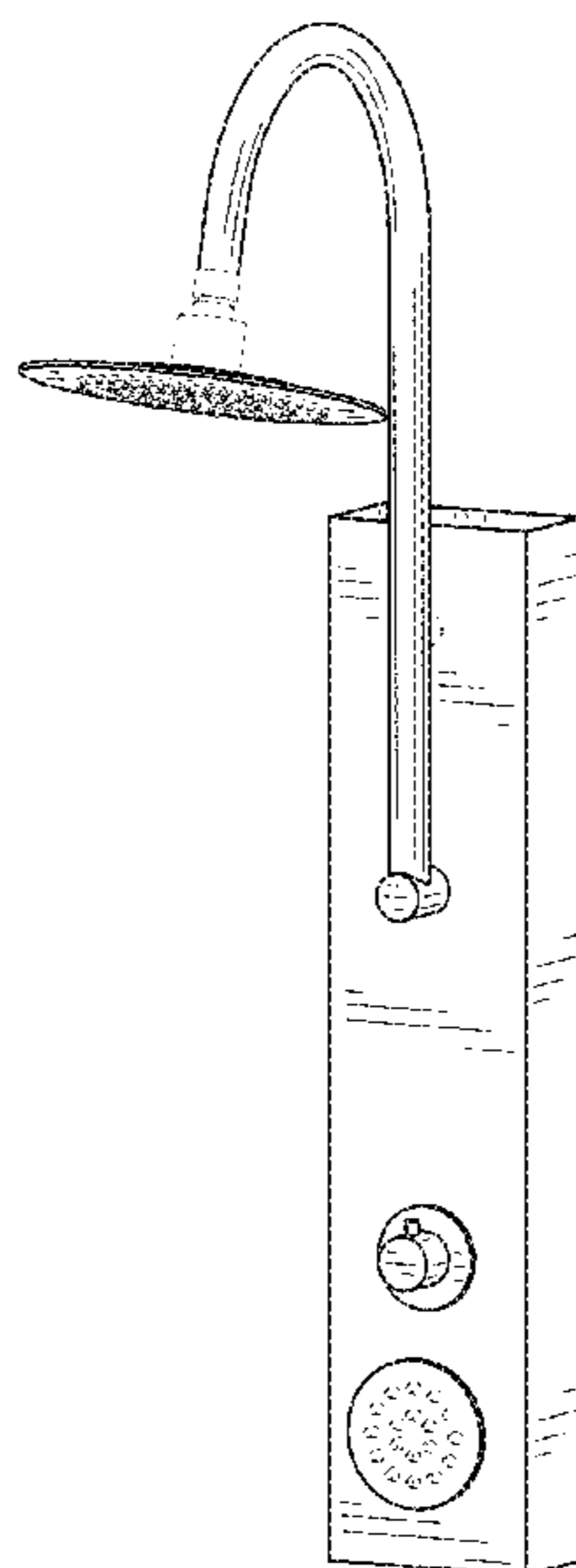
(57) **CLAIM**

The ornamental design for a shower assembly, as shown and described.

DESCRIPTION

FIG. 1 is a perspective view of the shower assembly
FIG. 2 is a front elevation view of FIG. 1;
FIG. 3 is a rear elevation view of FIG. 1;
FIG. 4 is a right side view of FIG. 1;
FIG. 5 is a left side view of FIG. 1;
FIG. 6 is a top plan view of FIG. 1; and,
FIG. 7 is a bottom plan view of FIG. 1.
The broken lines in the Figures are presented for the purpose of illustrating environment and form no part of the claimed design.

1 Claim, 5 Drawing Sheets



(56)

References Cited

OTHER PUBLICATIONS

“AKDY® 51" Tempered Glass Multi-Function Massage Jet Rainfall Style 4 Setting Handheld Shower Head 8 Multifunctional Nozzles LED Temperature Display Bath system Shower Panel Tower,” AKDY Imports, 2011, retrieved from http://www.amazon.com/Tempered-Multi-Function-Rainfall-Multi-functional-Temperature/dp/B00IWWCNPI/ref=zg_bs_6810472011_9, retrieved on Apr. 6, 2016, 6 pages.

“Hanalei 3-Jet Shower System with White Glass in Chrome,” PULSE Showerspas, Unknown date, retrieved from <http://www.homedepot.com/p/PULSE-Showerspas-Hanalei-3-Jet-Shower-System-with-White-Glass-in-Chrome-1032/204468288>, retrieved on Apr. 6, 2016, 2 pages.

“pH7® 43 in. 6-Jet Stainless Steel Shower Panel System with Rainfall Shower Heads & Handheld Shower; Thermostatic Control Valve; with 6 Fully Adjustable Body Sprayer; Luxury Spa-like Experience,” pH7 Kitchen & Bath Products, Inc., 2015, retrieved

from http://www.amazon.com/pH7-Stainless-Thermostatic-Adjustable-Experience/dp/B011BJ4YNC/ref=sr_1_49?s=kitchen-bath&ie=UTF8&qid=1459982808&sr=1-49&keywords=shower+panel, retrieved on Apr. 6, 2016, 5 pages.

“Rectangle Wall Mount Stainless Steel 4-Jet Shower Panel System in Chrome,” American Imaginations, Unknown date, retrieved from <http://www.homedepot.com/p/American-Imaginations-Rectangle-Wall-Mount-Stainless-Steel-4-Jet-Shower-Panel-System-in-Chrome-AI-11042/206412154>, retrieved on Apr. 6, 2016, 2 pages.

“SV-2002 42 in. H X 6 in. W X 15 IN. d Retrofit 2-Jet Shower Panel System in Black Tempered Glass,” ValoreUSA, Unknown date, retrieved from <http://www.homedepot.com/p/VALORE-VS-2002-42-in-H-x-6-in-W-x-15-in-D-Retrofit-2-Jet-Shower-Panel-System-in-Black-Tempered-Glass-VS-2002P/206418478>, retrieved on Apr. 6, 2016, 2 pages.

VIGO, “6-Jet Shower Panel System in Satin,” Vigo Industries, LLC, Date Unknown, retrieved from <http://www.homedepot.com/p/Vigo-6-Jet-Shower-Panel-System-in-Satin-VG08007/202722566>, retrieved on Apr. 6, 2016, 2 pages.

* cited by examiner

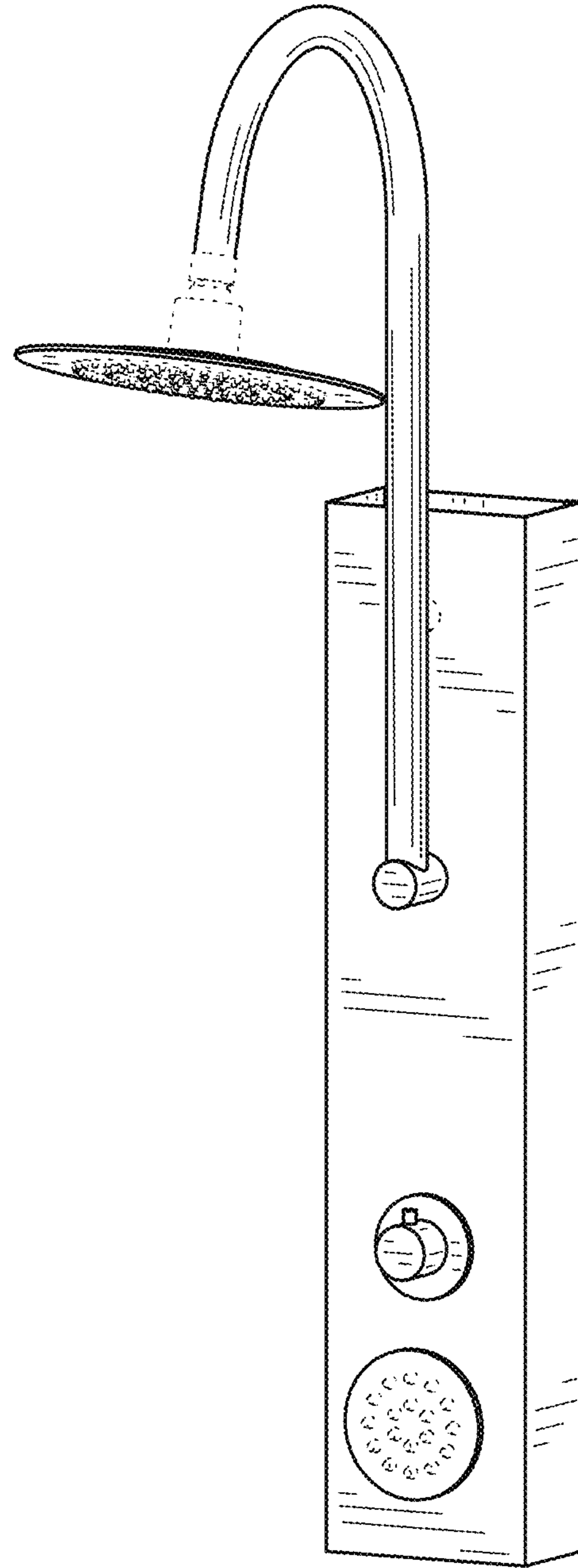


FIG. 1

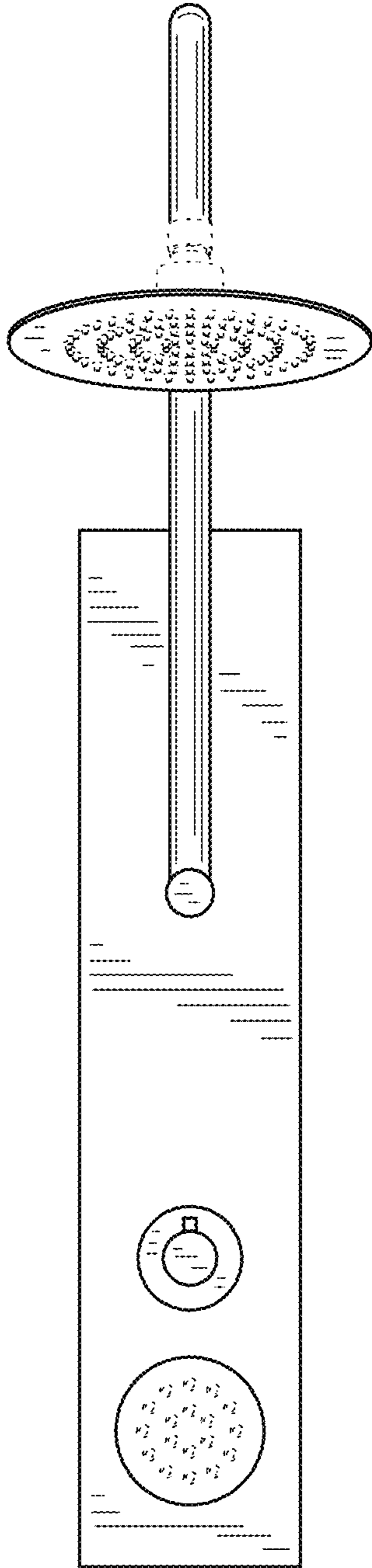


FIG. 2

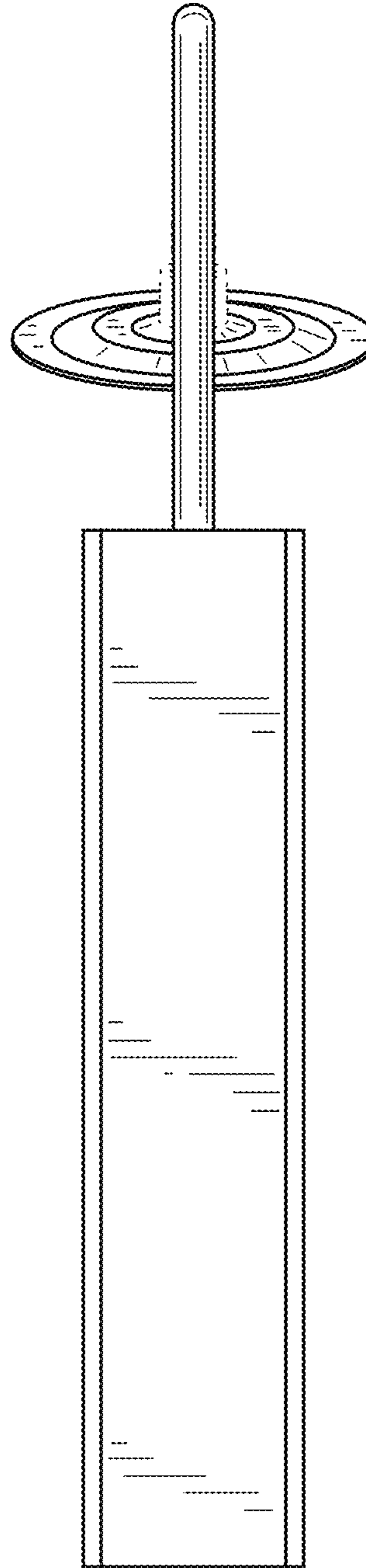


FIG. 3

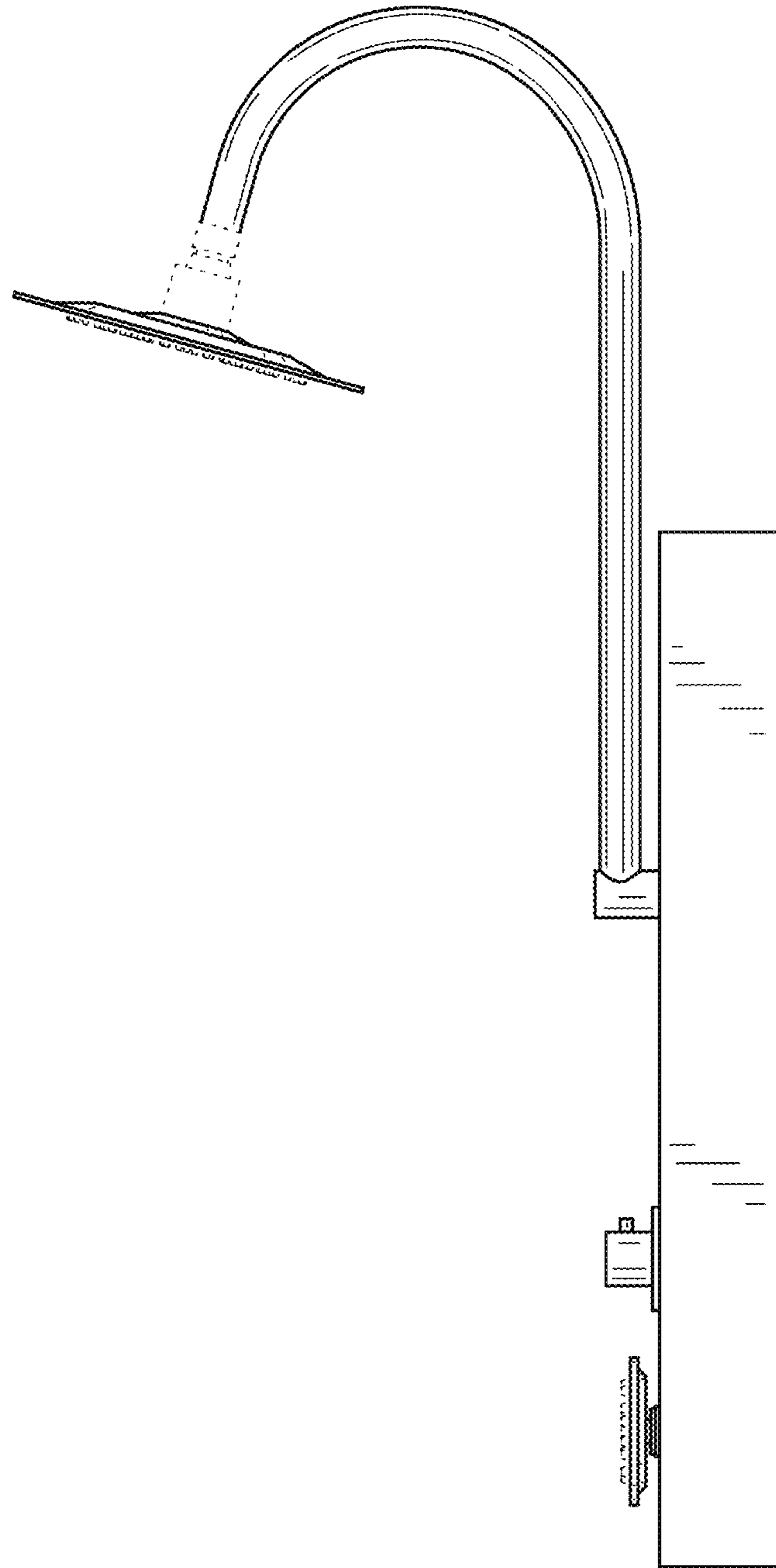


FIG.4

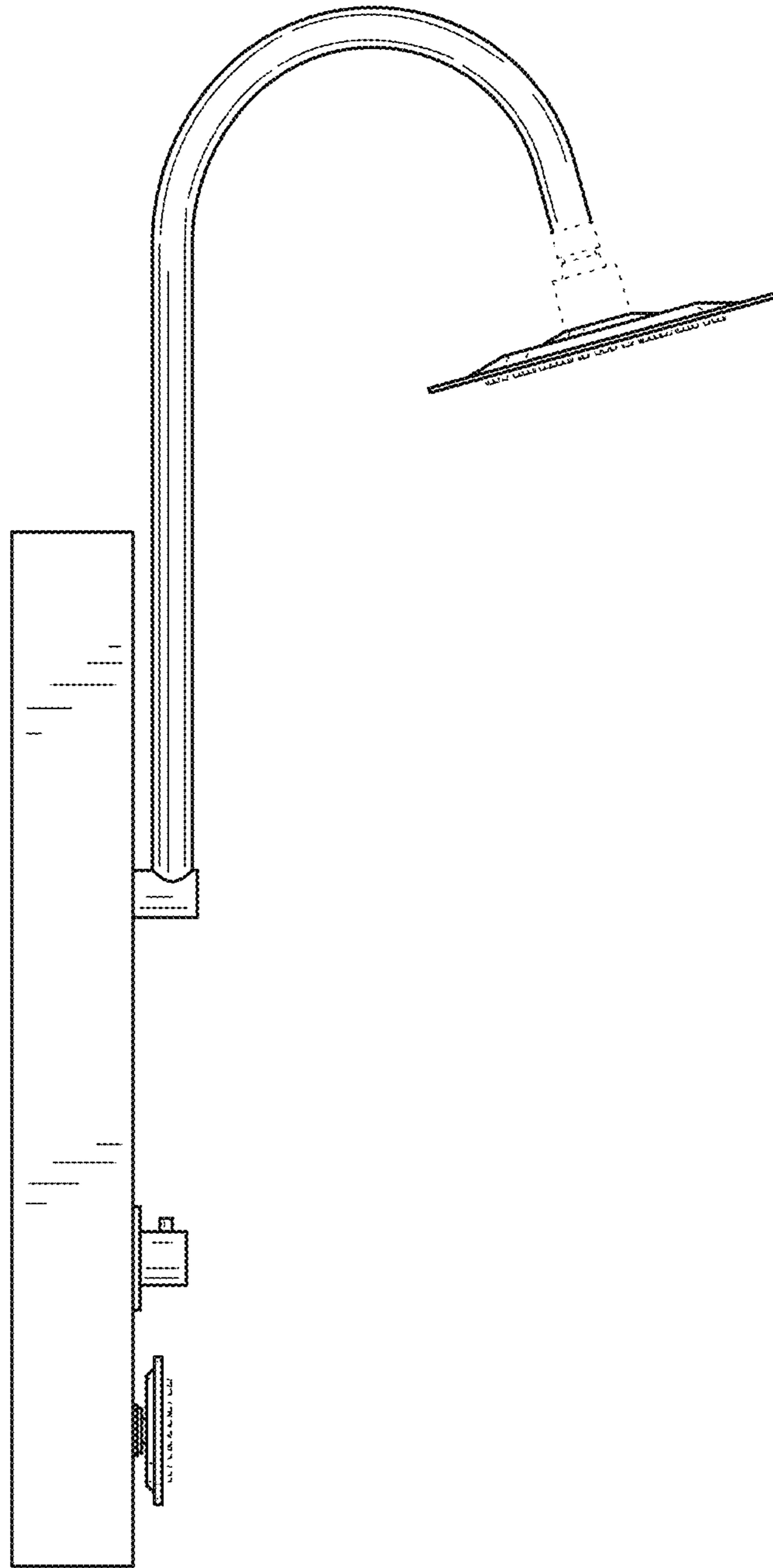


FIG.5

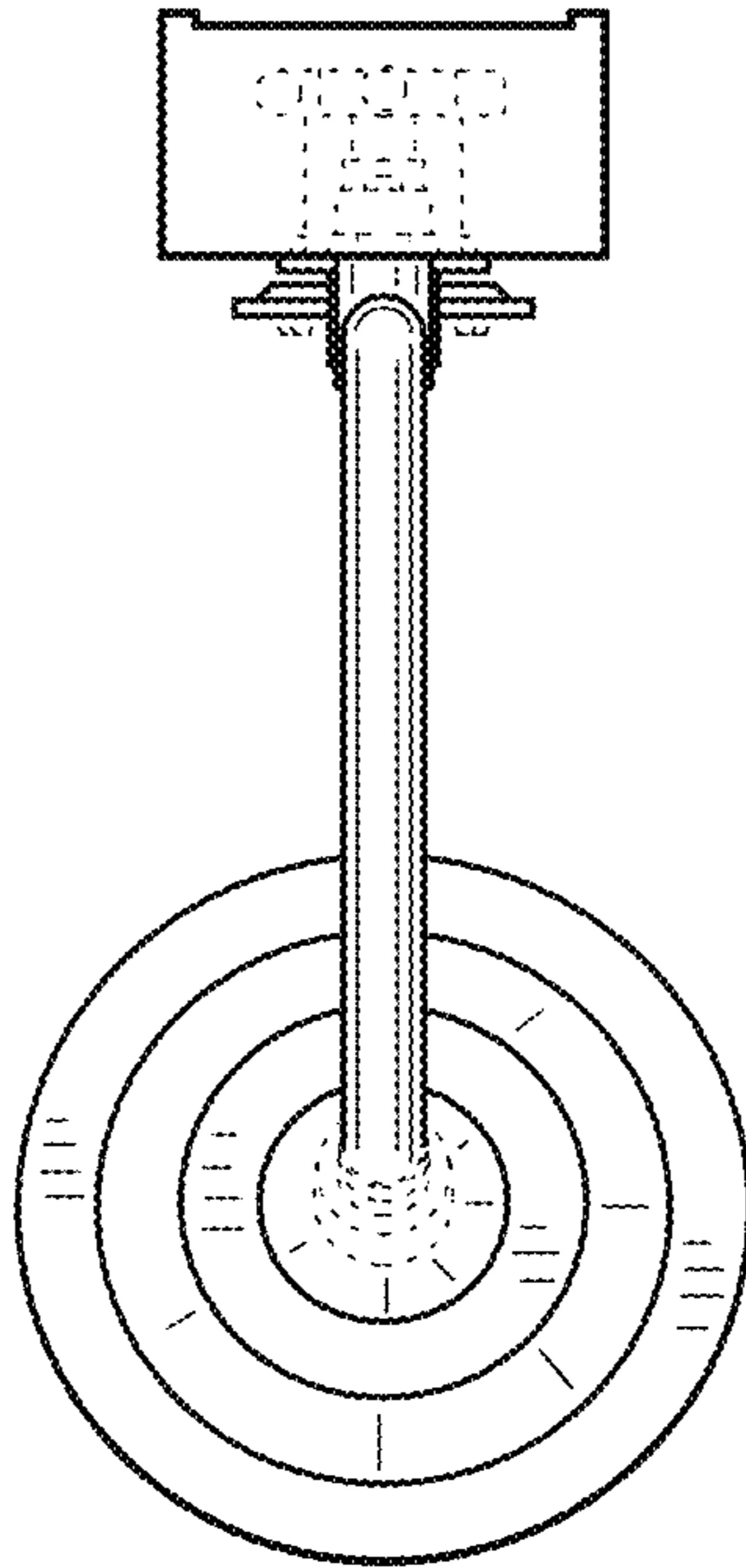


FIG. 6

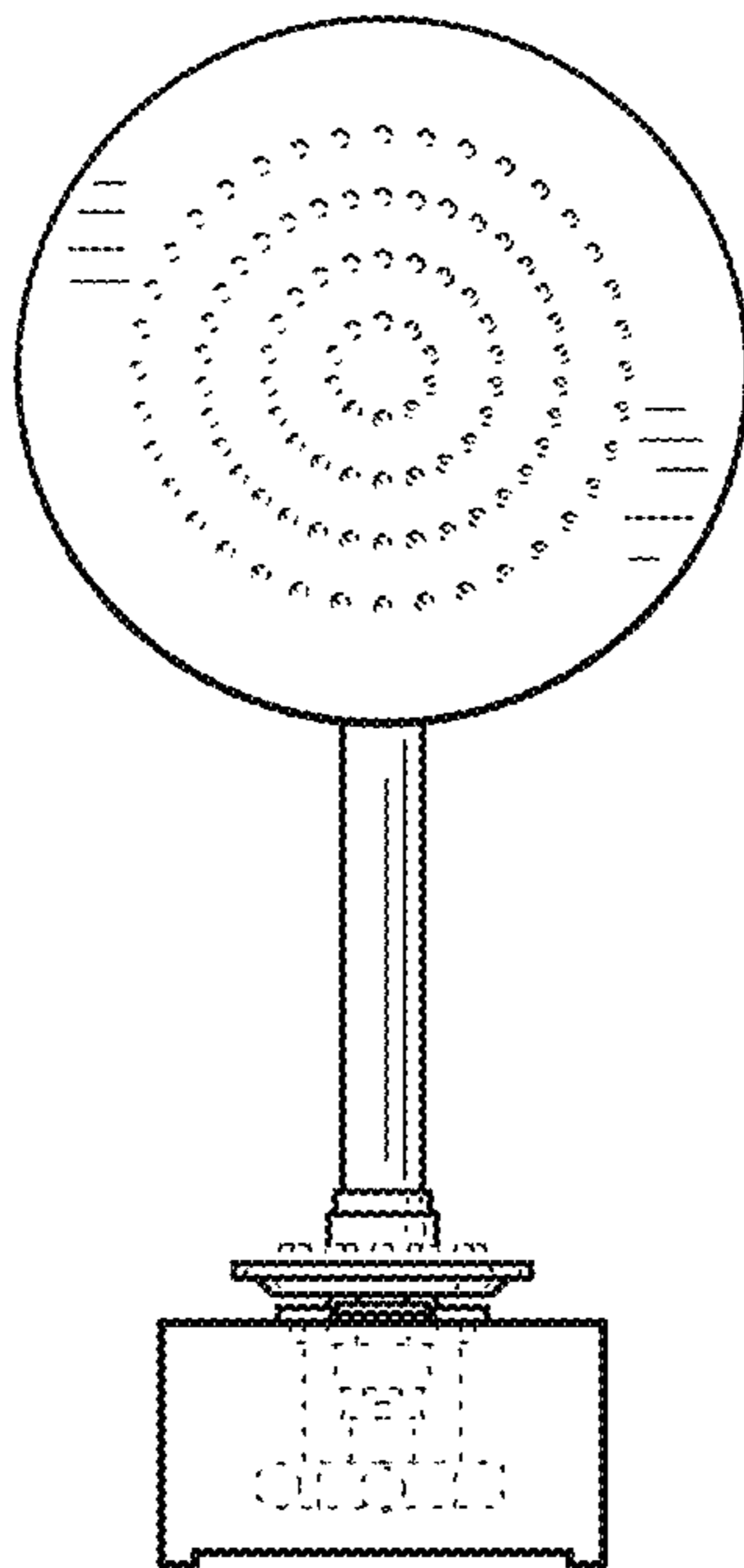


FIG. 7