



US00D787630S

(12) **United States Design Patent**  
**Lipkens et al.**

(10) **Patent No.:** **US D787,630 S**

(45) **Date of Patent:** **\*\* May 23, 2017**

(54) **U-TURN ACOUSTIC SEPARATION DEVICE**

8,414,779 B2 \* 4/2013 Levy ..... C02F 1/32  
210/198.1

(71) Applicant: **FloDesign Sonics, Inc.**, Wilbraham,  
MA (US)

8,691,145 B2 \* 4/2014 Dionne ..... A61L 2/025  
422/20

(72) Inventors: **Bart Lipkens**, Hampden, MA (US);  
**Jason Barnes**, Westfield, MA (US);  
**Dane Mealey**, Springfield, MA (US);  
**Walter M. Presz, Jr.**, Wilbraham, MA  
(US); **Brian McCarthy**, Ludlow, MA  
(US); **Benjamin Ross-Johnsrud**,  
Wilbraham, MA (US); **Kedar Chitale**,  
West Hartford, CT (US)

D718,835 S \* 12/2014 Lipkens ..... D23/207  
D722,674 S \* 2/2015 Lipkens ..... D23/207  
8,986,616 B2 \* 3/2015 Huang ..... B01J 19/10  
422/128

2015/0125948 A1 5/2015 Lipkens et al.

**OTHER PUBLICATIONS**

U.S. Appl. No. 14/791,115, filed Jul. 2, 2015. Inventors: Bart Lipkens, Brian McCarthy, Jason Barnes, Dane Mealey, Ben Ross-Johnsrud, Walter M. Presz, Jr.; Kedar Chitale.

(73) Assignee: **FLODESIGN SONICS, INC.**,  
Wilbraham, MA (US)

\* cited by examiner

(\*\*) Term: **15 Years**

*Primary Examiner* — Robin V Webster

(21) Appl. No.: **29/541,602**

(74) *Attorney, Agent, or Firm* — Richard M. Klein; Fay Sharpe LLP

(22) Filed: **Oct. 6, 2015**

(51) **LOC (10) Cl.** ..... **23-01**

(52) **U.S. Cl.**  
USPC ..... **D23/207**

(58) **Field of Classification Search**  
USPC ..... D23/207–209; 422/20, 128; 210/748.01,  
210/748.02, 748.05  
CPC ..... B01J 19/10; C02F 1/36  
See application file for complete search history.

(57) **CLAIM**

The ornamental design for a U-turn acoustic separation device, as shown and described.

**DESCRIPTION**

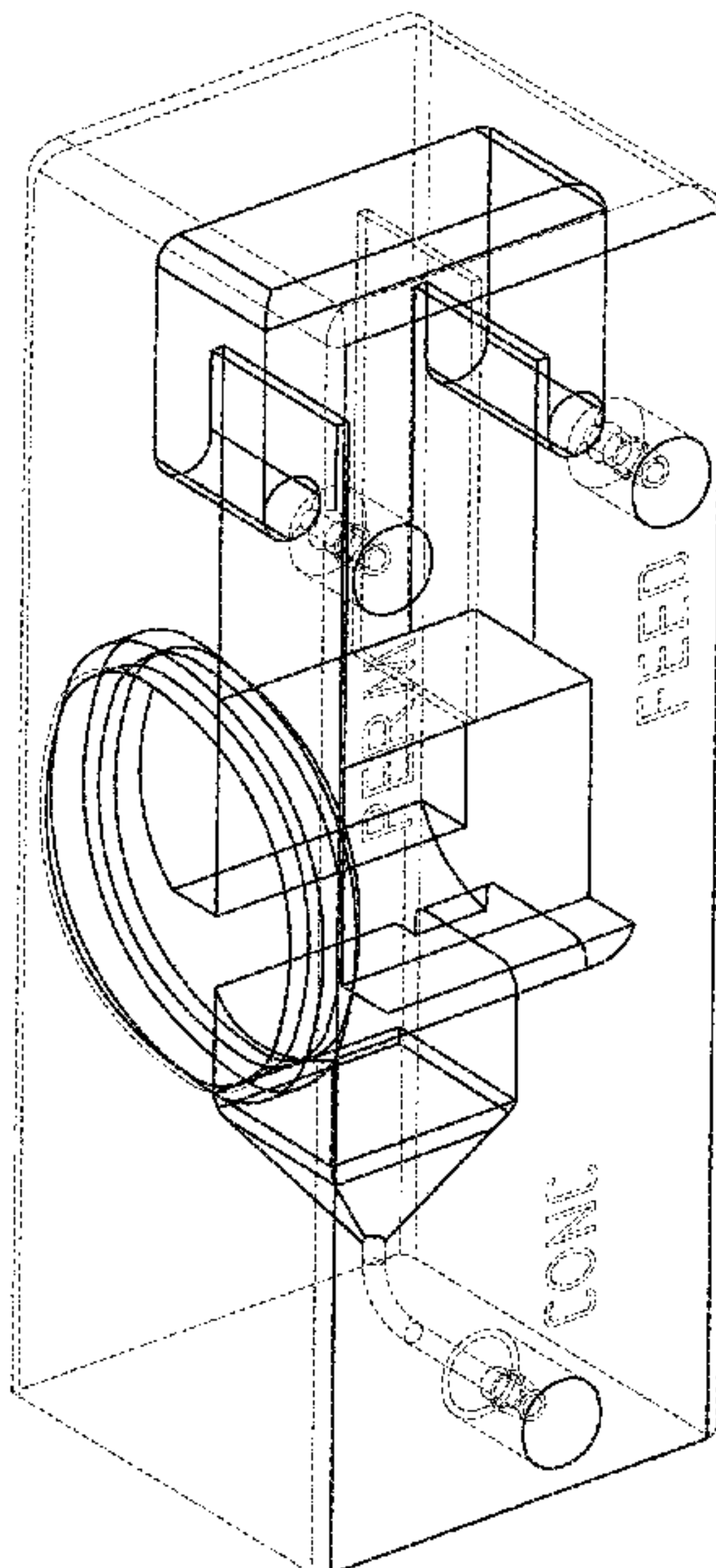
FIG. 1 is a front right perspective view.  
FIG. 2 is a front view.  
FIG. 3 is a left side view.  
FIG. 4 is a right side view.  
FIG. 5 is a rear view.  
FIG. 6 is a top view; and,  
FIG. 7 is a bottom view.  
The broken lines of FIGS. 1-9 illustrate portions of the article and form no part of the claimed design.

(56) **References Cited**

**U.S. PATENT DOCUMENTS**

2,828,231 A \* 3/1958 Henry ..... B08B 3/12  
134/1  
7,703,698 B2 \* 4/2010 Janssen ..... B01F 5/0618  
239/102.2

**1 Claim, 7 Drawing Sheets**



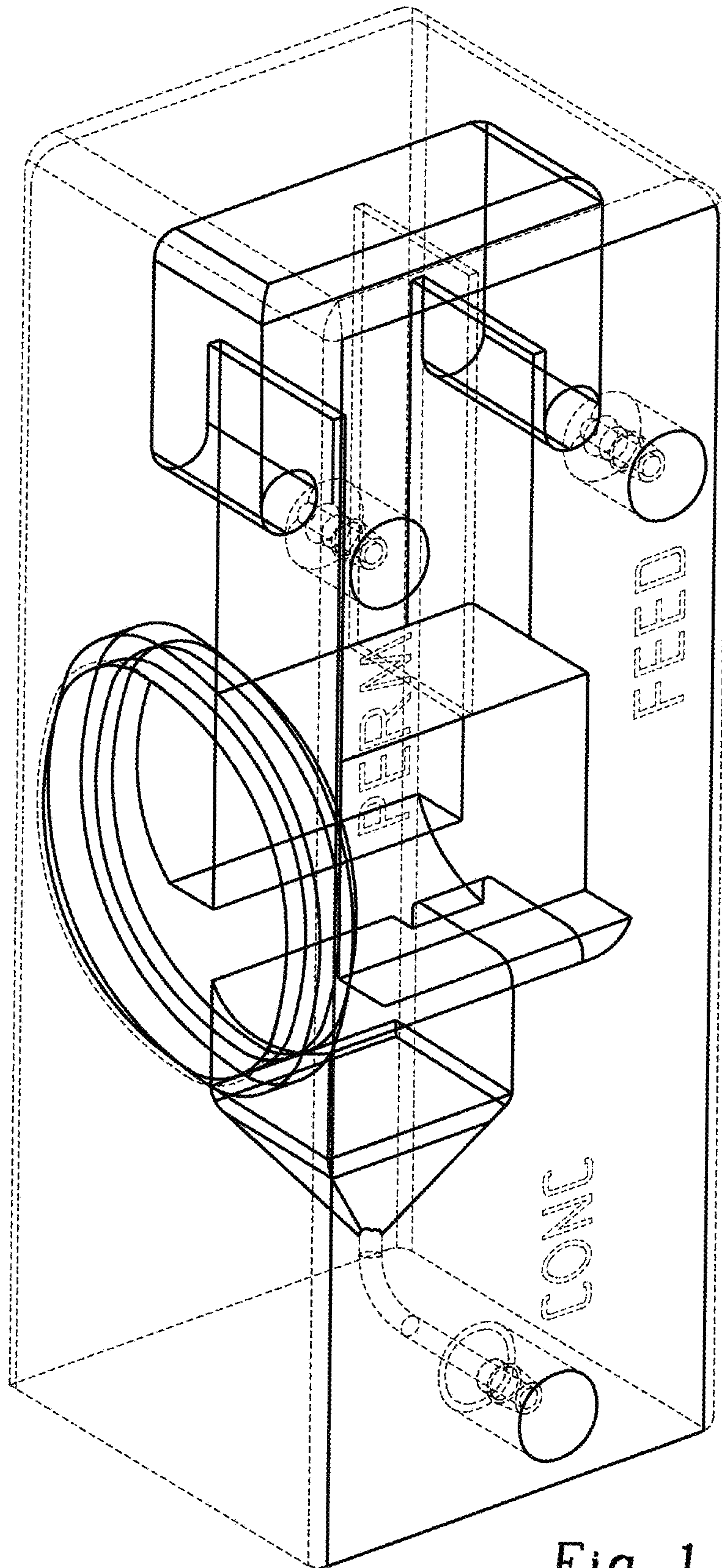


Fig. 1

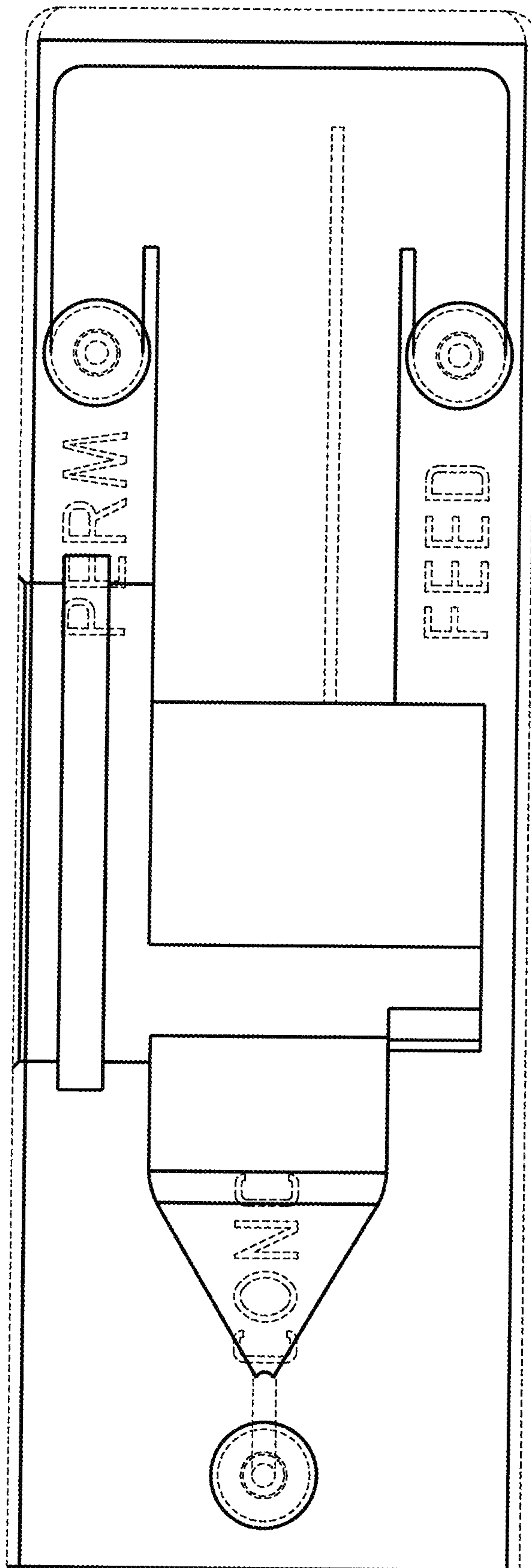


Fig. 2

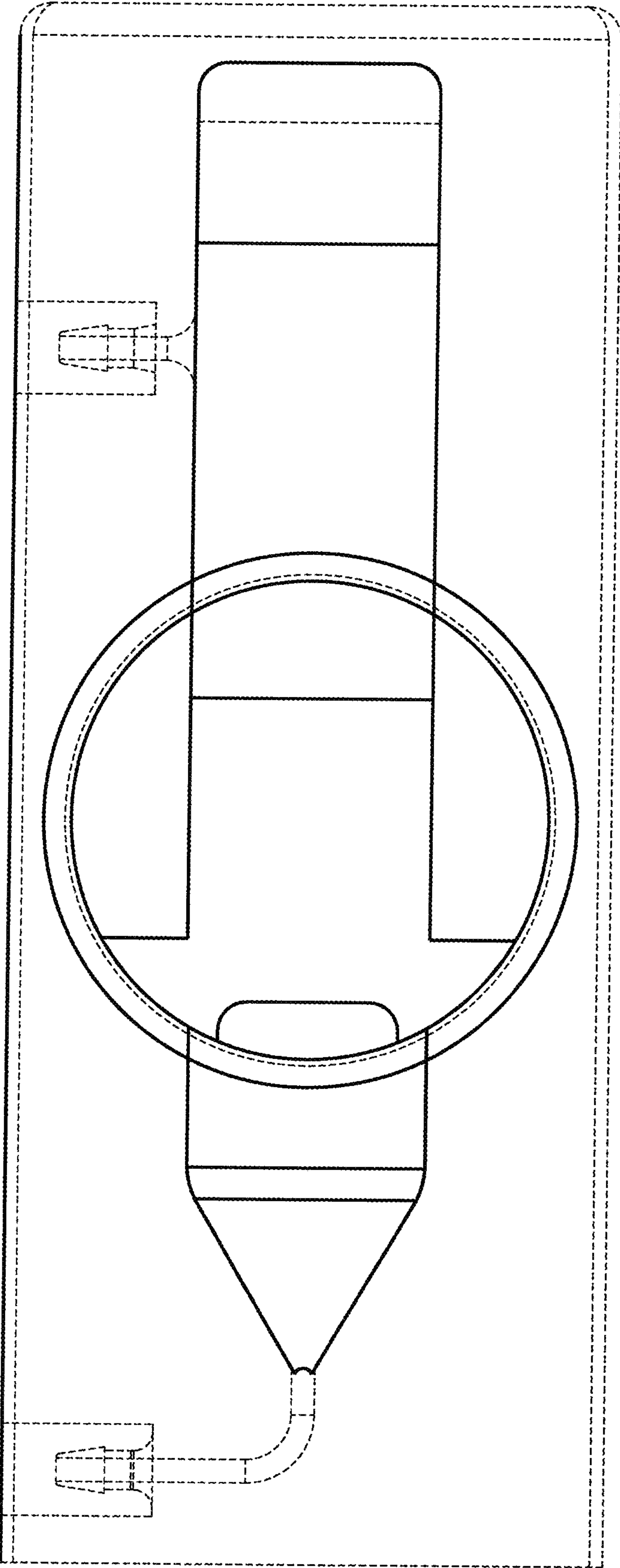
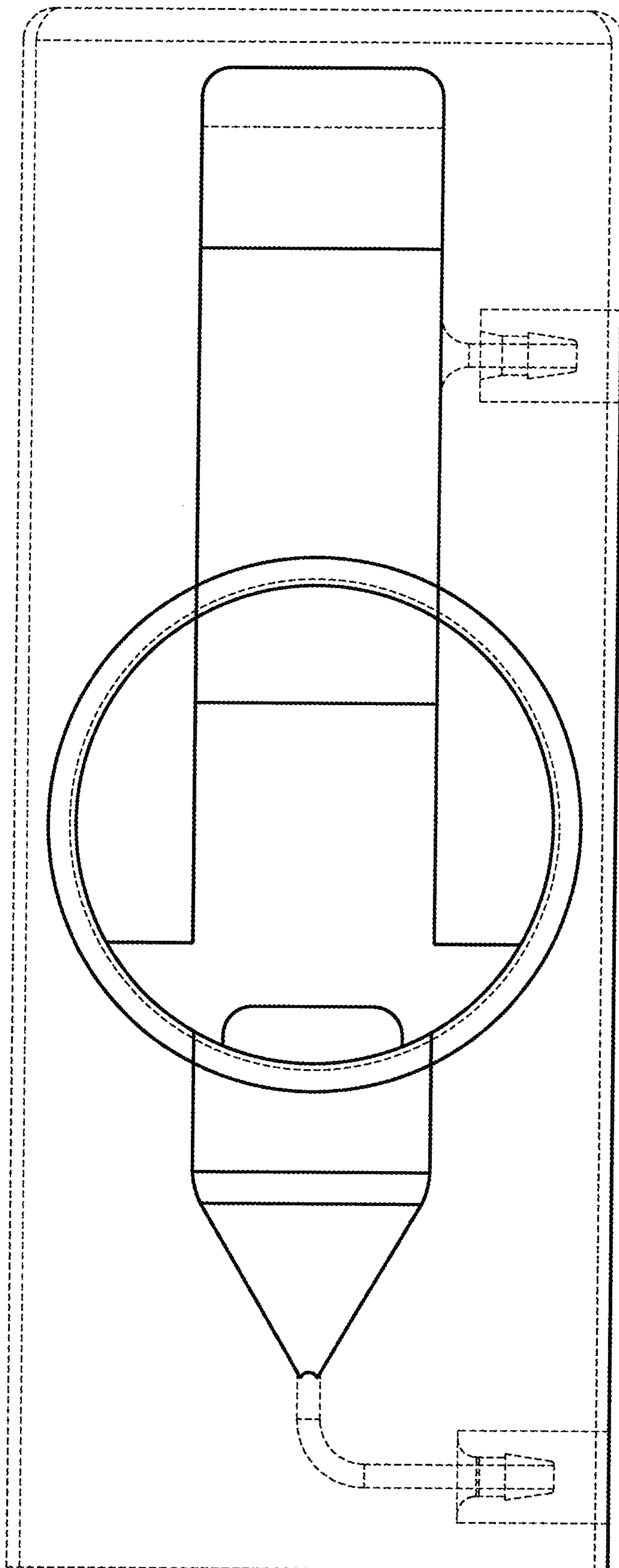


Fig. 3





*Fig. 4*

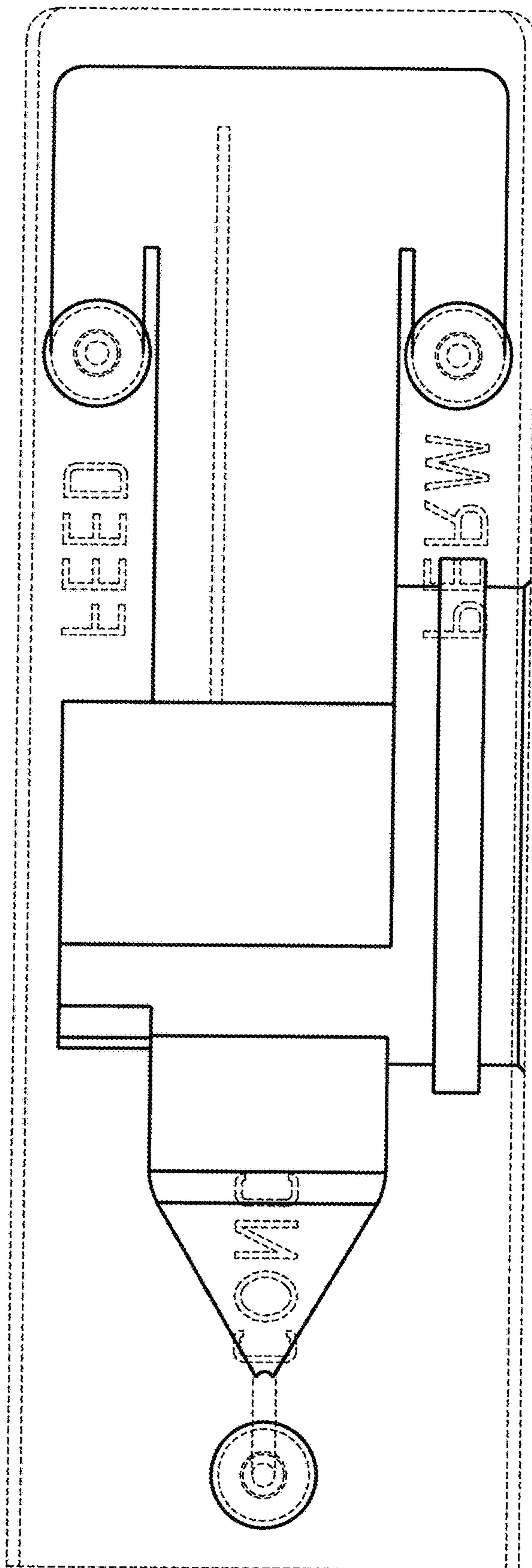
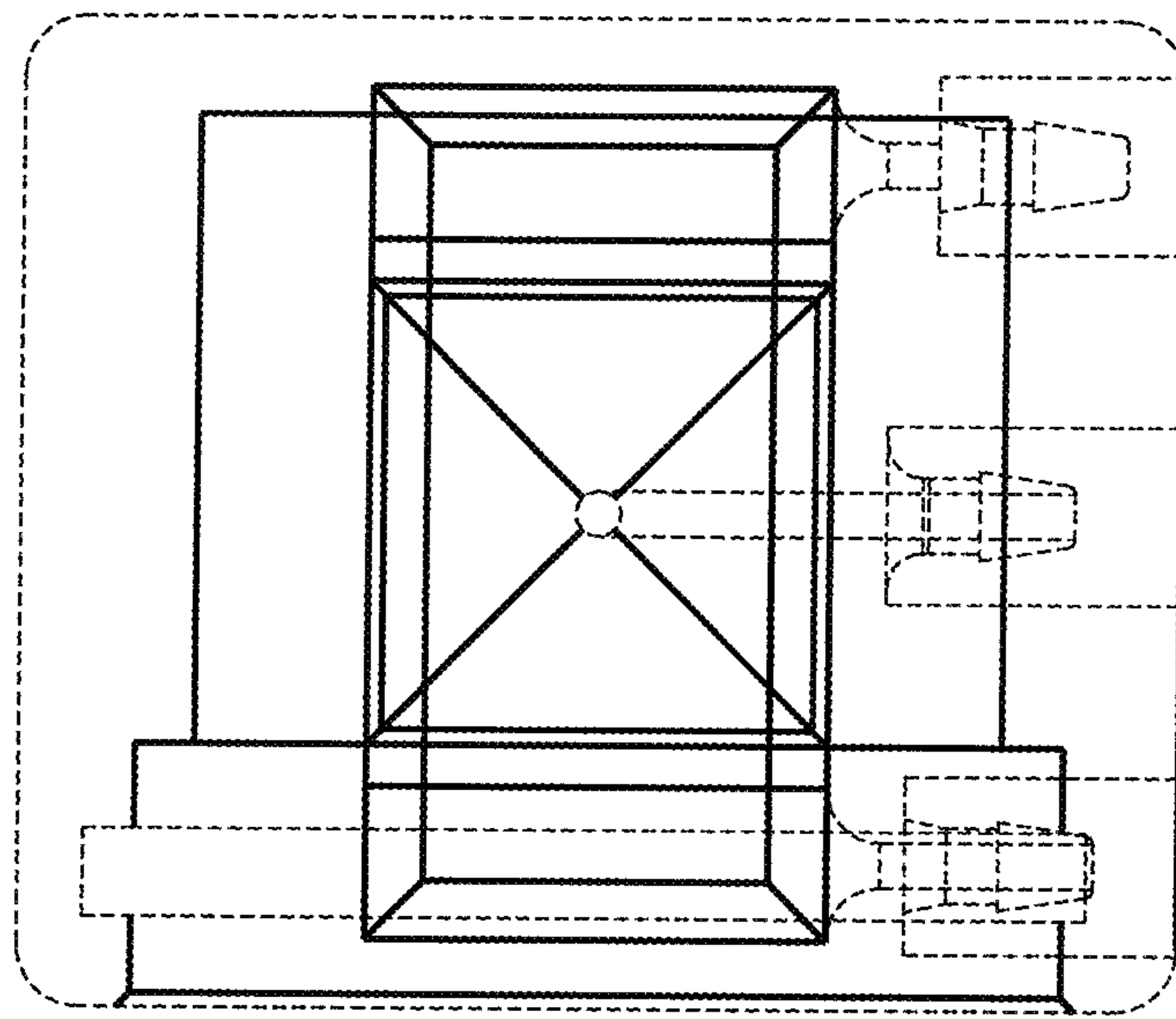
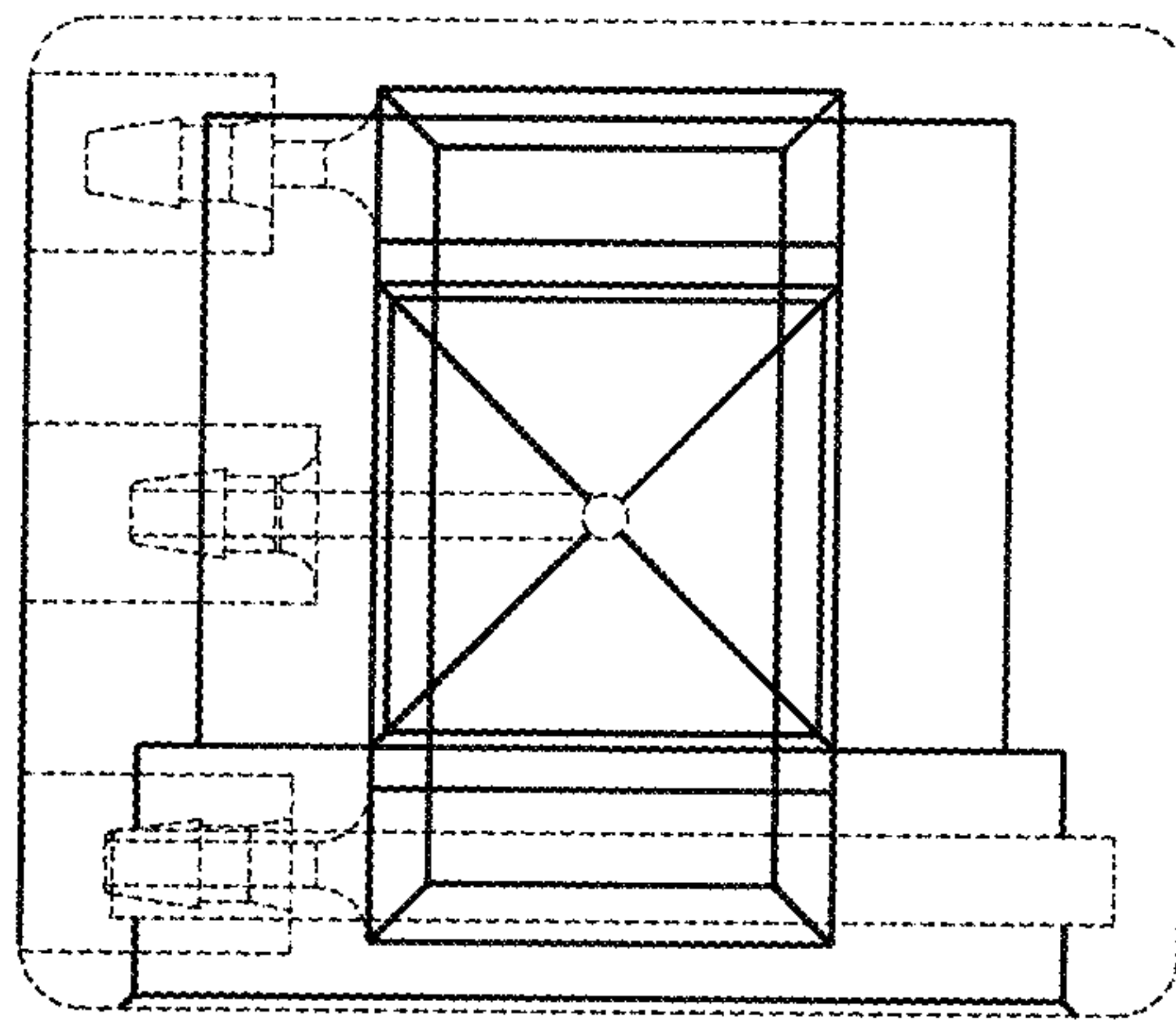


Fig. 5



*Fig. 6*



*Fig. 7*