



US00D787629S

(12) **United States Design Patent** (10) **Patent No.:** **US D787,629 S**  
**Trice** (45) **Date of Patent:** **\*\* May 23, 2017**

(54) **FISH HOOK ATTACHMENT**

(71) Applicant: **William A. Trice**, Summerfield, FL (US)

(72) Inventor: **William A. Trice**, Summerfield, FL (US)

(\*\*) Term: **15 Years**

(21) Appl. No.: **29/543,220**

(22) Filed: **Oct. 22, 2015**

(51) **LOC (10) Cl.** ..... **22-05**

(52) **U.S. Cl.**  
USPC ..... **D22/144**

(58) **Field of Classification Search**  
USPC ..... D22/126, 127, 128, 129, 130, 131, 132, D22/133, 135, 144

(Continued)

(56) **References Cited**

U.S. PATENT DOCUMENTS

D371,594 S \* 7/1996 Drapak ..... D22/144  
D390,623 S \* 2/1998 Phelps ..... D22/126

(Continued)

*Primary Examiner* — Manpreet Matharu

*Assistant Examiner* — Suzanne Tisdell

(74) *Attorney, Agent, or Firm* — Saliwanchik, Lloyd & Eisenschenk

(57) **CLAIM**

The ornamental design for a fish hook attachment, as shown and described.

**DESCRIPTION**

FIG. 1 is a left side, elevation view of a first embodiment of a fish hook attachment, shown secured to the bend of a hook and having a soft bait attached thereto;

FIG. 2 is a front elevation view of the first embodiment, shown secured to the bend of a hook;

FIG. 3 is a front elevation view of the first embodiment, shown secured to the bend of a hook and having a soft bait attached thereto;

FIG. 4 is a front elevation view of the first embodiment, shown to the side of and secured to the eyelet of a hook;

FIG. 5 is a front elevation view of the first embodiment;

FIG. 6 is a front elevation view of the first embodiment with a larger diameter screw;

FIG. 7 is a front elevation view of the first embodiment with a smaller diameter screw;

FIG. 8 is a rear elevation view of the first embodiment;

FIG. 9 is a left side elevation view of the first embodiment;

FIG. 10 is a right side elevation view of the first embodiment;

FIG. 11 is a top plan view of the first embodiment;

FIG. 12 is a bottom plan view of the first embodiment;

FIG. 13 is a right side top perspective view of the first embodiment;

FIG. 14 is a left side, elevation view of a second embodiment of a fish hook attachment, shown secured to the bend of a hook and having a soft bait attached thereto;

FIG. 15 is a front elevation view of the second embodiment, shown secured to the bend of a hook;

FIG. 16 is a front elevation view of the second embodiment, shown secured to the bend of a hook and having a soft bait attached thereto;

FIG. 17 is a front elevation view of the second embodiment, shown to the side of and secured to the eyelet of a hook;

FIG. 18 is a front elevation view of the second embodiment;

FIG. 19 is a front elevation view of the second embodiment with a larger diameter screw;

FIG. 20 is a front elevation view of the second embodiment with a smaller diameter screw;

FIG. 21 is a rear elevation view of the second embodiment;

FIG. 22 is a left side elevation view of the second embodiment;

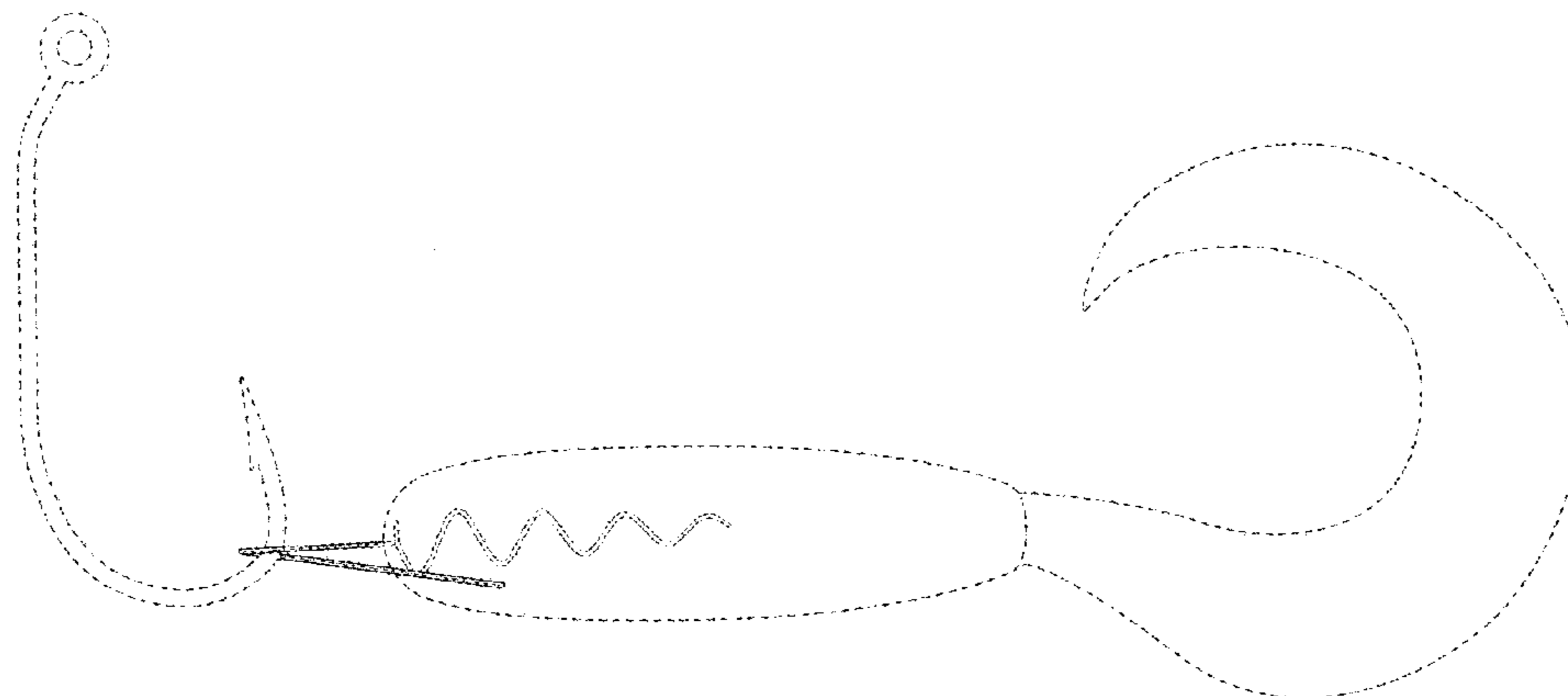
FIG. 23 is a right side elevation view of the second embodiment;

FIG. 24 is a top plan view of the second embodiment;

FIG. 25 is a bottom plan view of the second embodiment; and,

FIG. 26 is a right side top perspective view of the second embodiment.

(Continued)



The broken lines in the drawings are directed to environmental matter and form no part of the claimed design.

**1 Claim, 24 Drawing Sheets**

**(58) Field of Classification Search**

CPC ..... A01K 85/00; A01K 85/01; A01K 85/02;  
A01K 85/10; A01K 85/16; A01K 85/18  
See application file for complete search history.

**(56) References Cited**

**U.S. PATENT DOCUMENTS**

D487,913 S \* 3/2004 Asada ..... D22/144  
D609,304 S \* 2/2010 Hatfield ..... D22/144  
D616,060 S \* 5/2010 Patrick ..... D22/144  
D698,411 S \* 1/2014 Bennis ..... D22/144

D698,412 S \* 1/2014 Bennis ..... D22/144  
D698,413 S \* 1/2014 Bennis ..... D22/144  
D742,995 S \* 11/2015 Rye ..... D22/144  
D751,664 S \* 3/2016 Bennis ..... D22/144  
D751,665 S \* 3/2016 Bennis ..... D22/144  
D754,810 S \* 4/2016 Gibson ..... D22/144  
D755,921 S \* 5/2016 Nitta ..... D22/144  
2007/0169399 A1\* 7/2007 More ..... A01K 85/00  
43/44.83  
2013/0276350 A1\* 10/2013 Smith ..... A01K 85/02  
43/42.38  
2013/0283668 A1\* 10/2013 Hansen ..... A01K 85/00  
43/42.32  
2015/0208624 A1\* 7/2015 Krohn ..... A01K 85/00  
43/42.49  
2015/0208626 A1\* 7/2015 Coniglio ..... A01K 85/16  
43/42.24  
2016/0165865 A1\* 6/2016 Korteweg ..... A01K 85/18  
43/42.06

\* cited by examiner

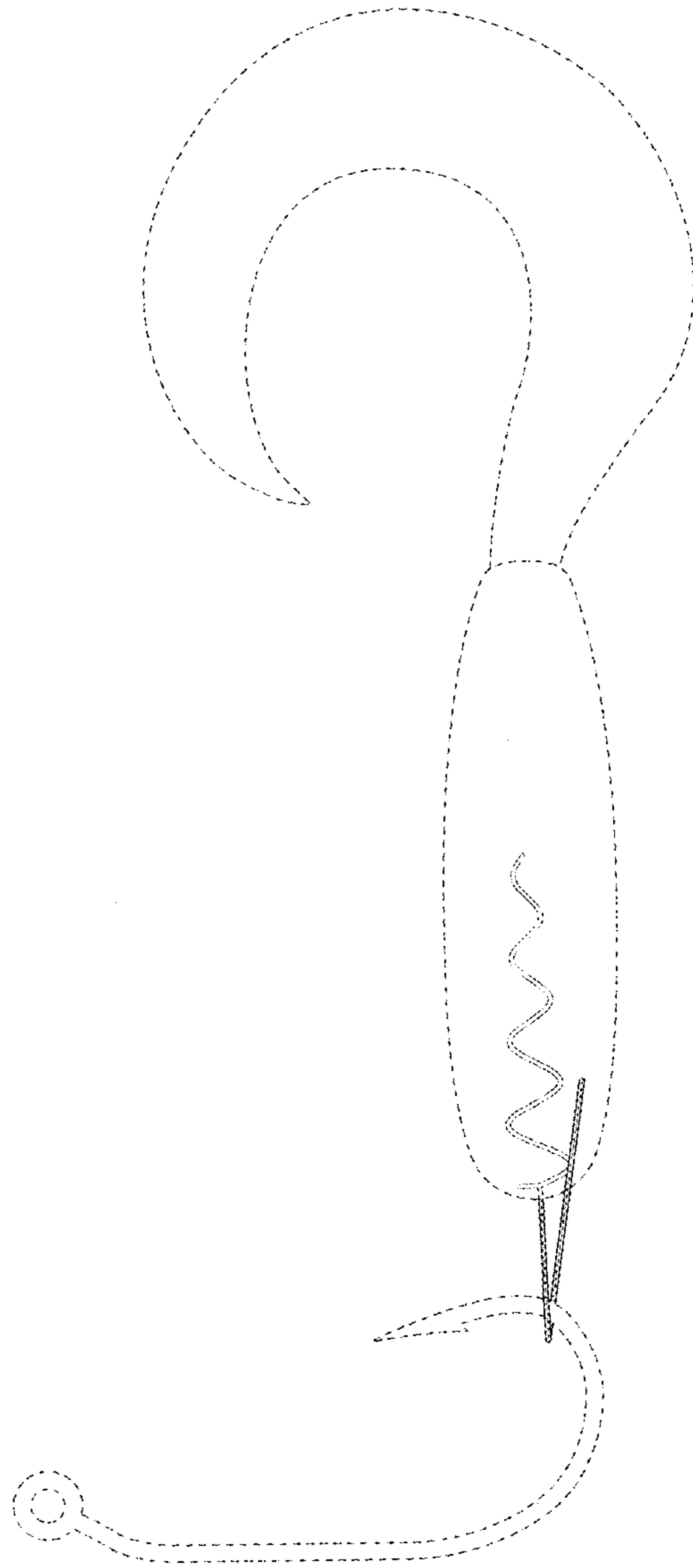


FIG. 1

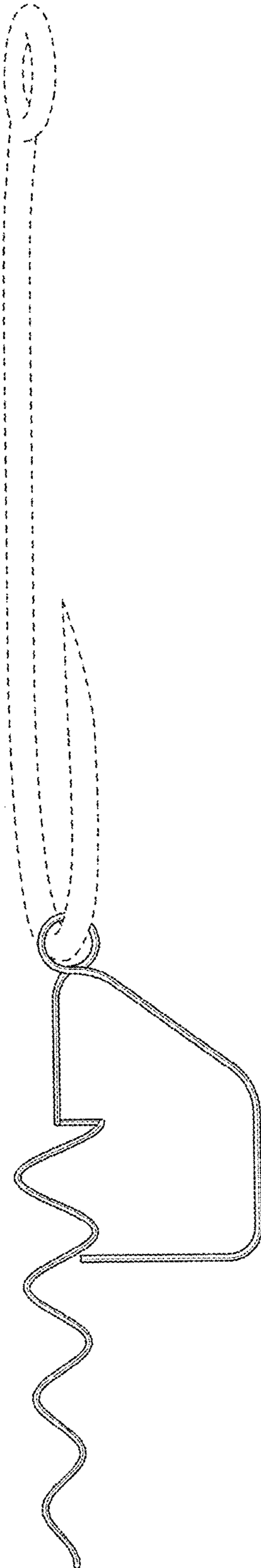


FIG. 2

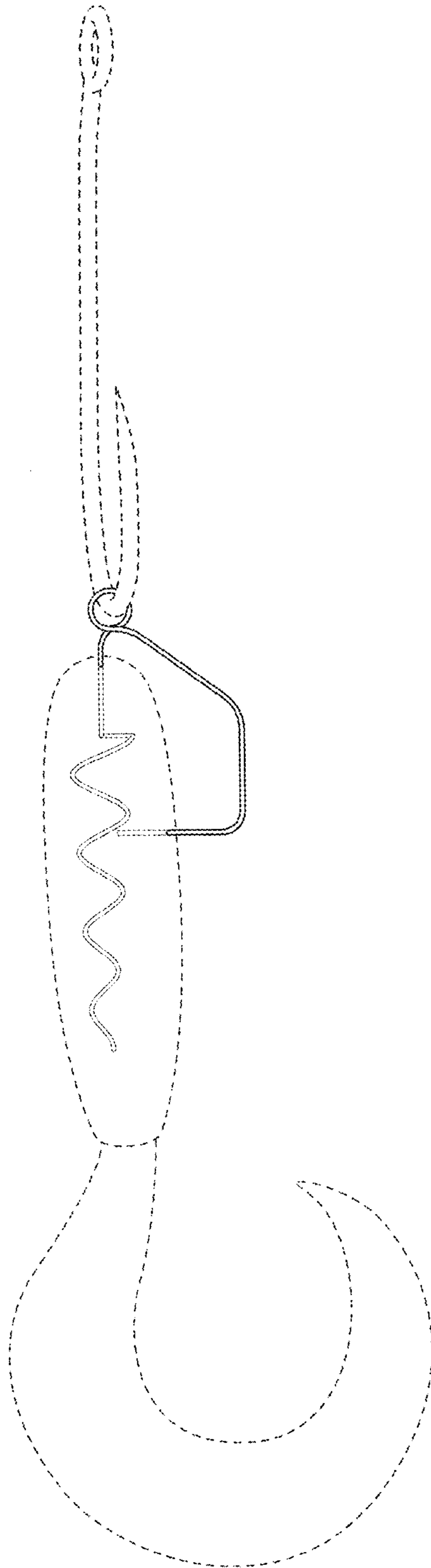


FIG. 3

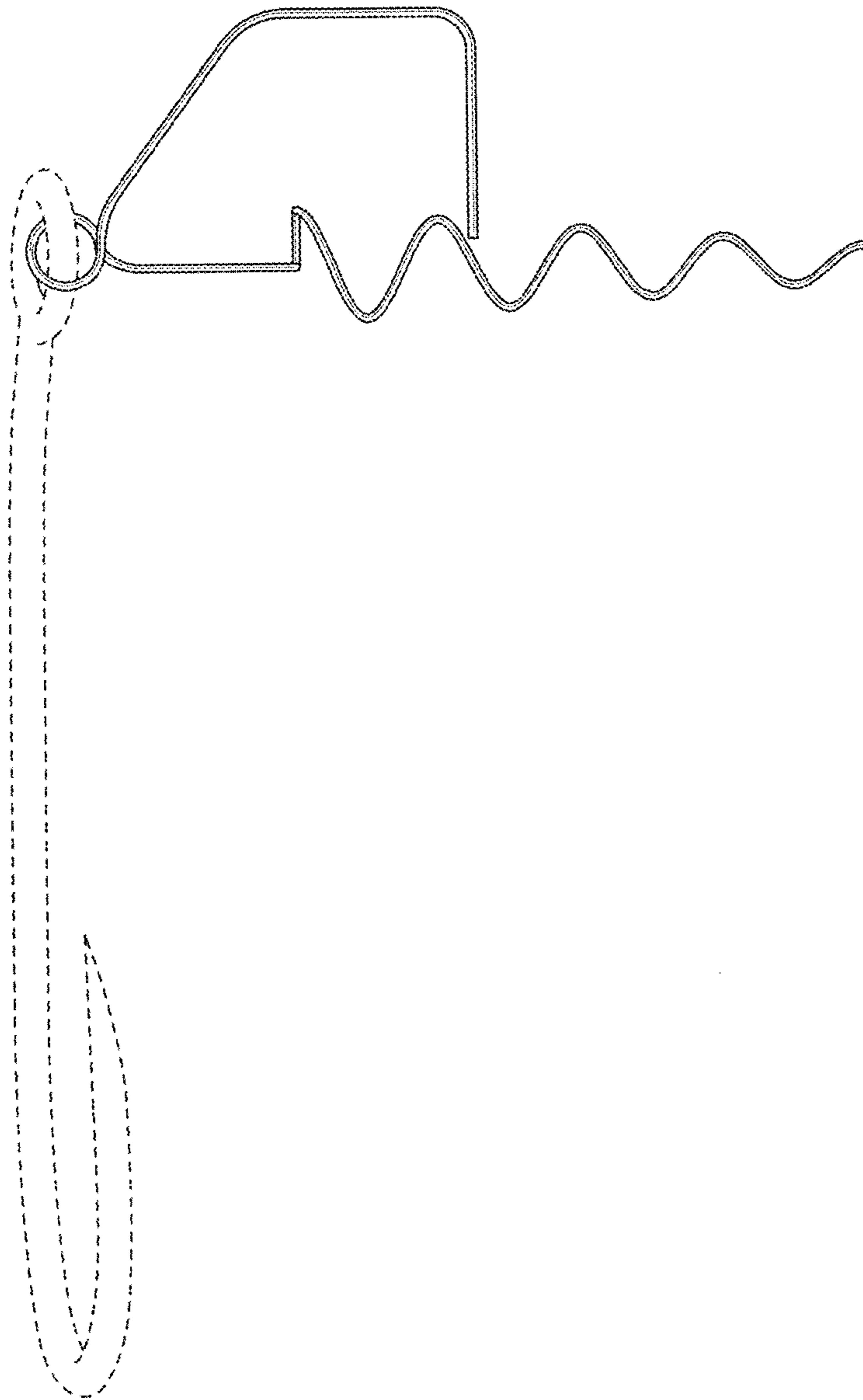


FIG. 4

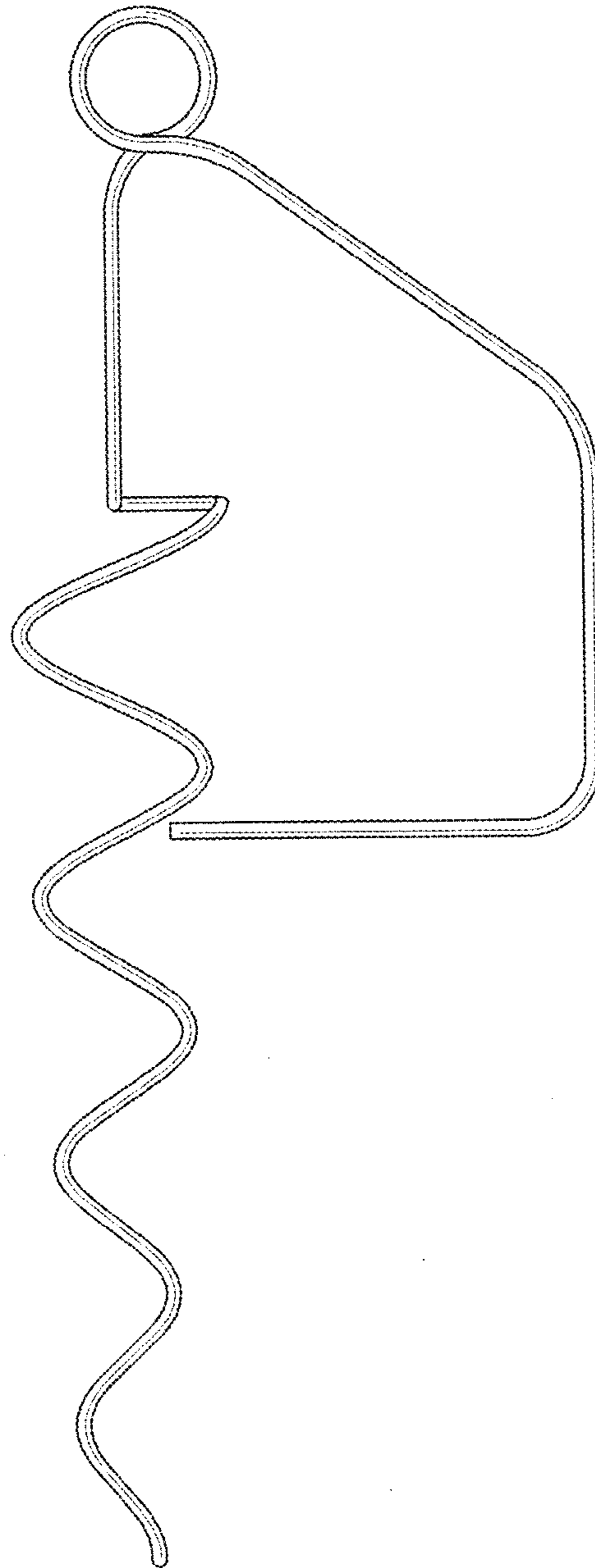


FIG. 5

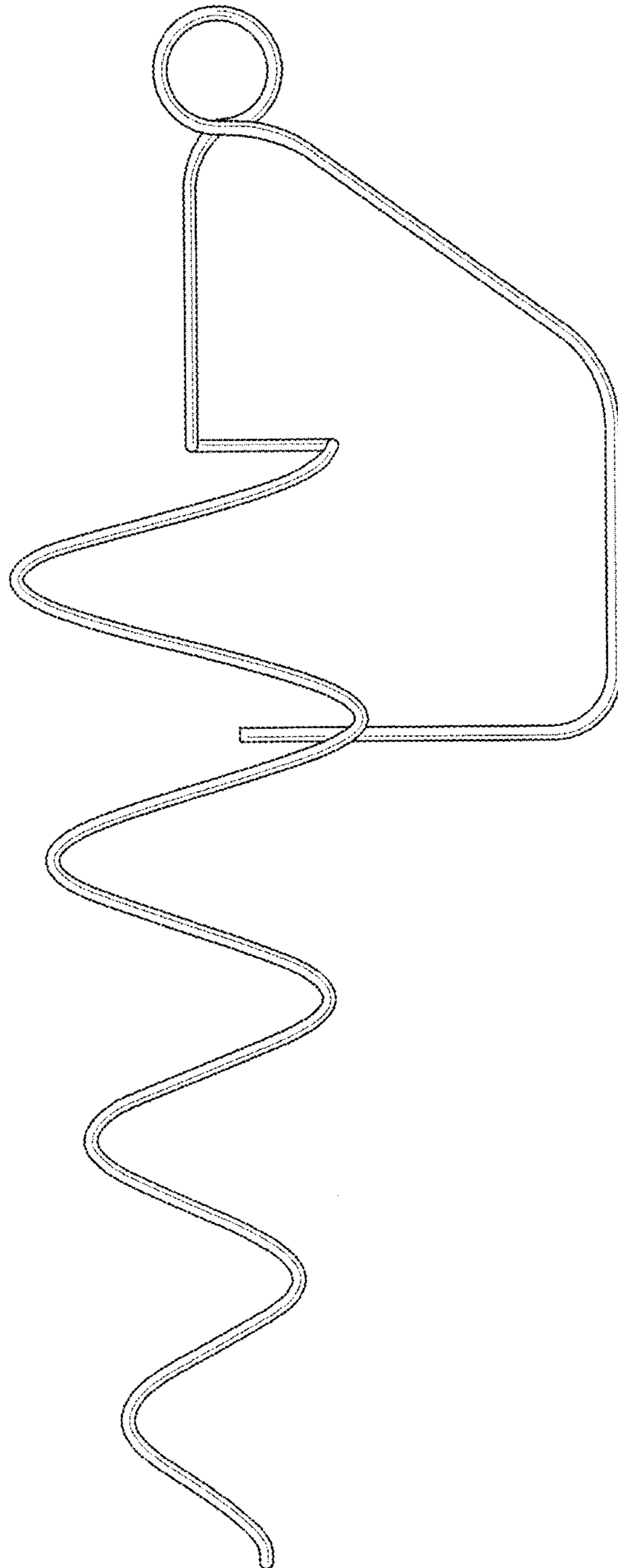


FIG. 6



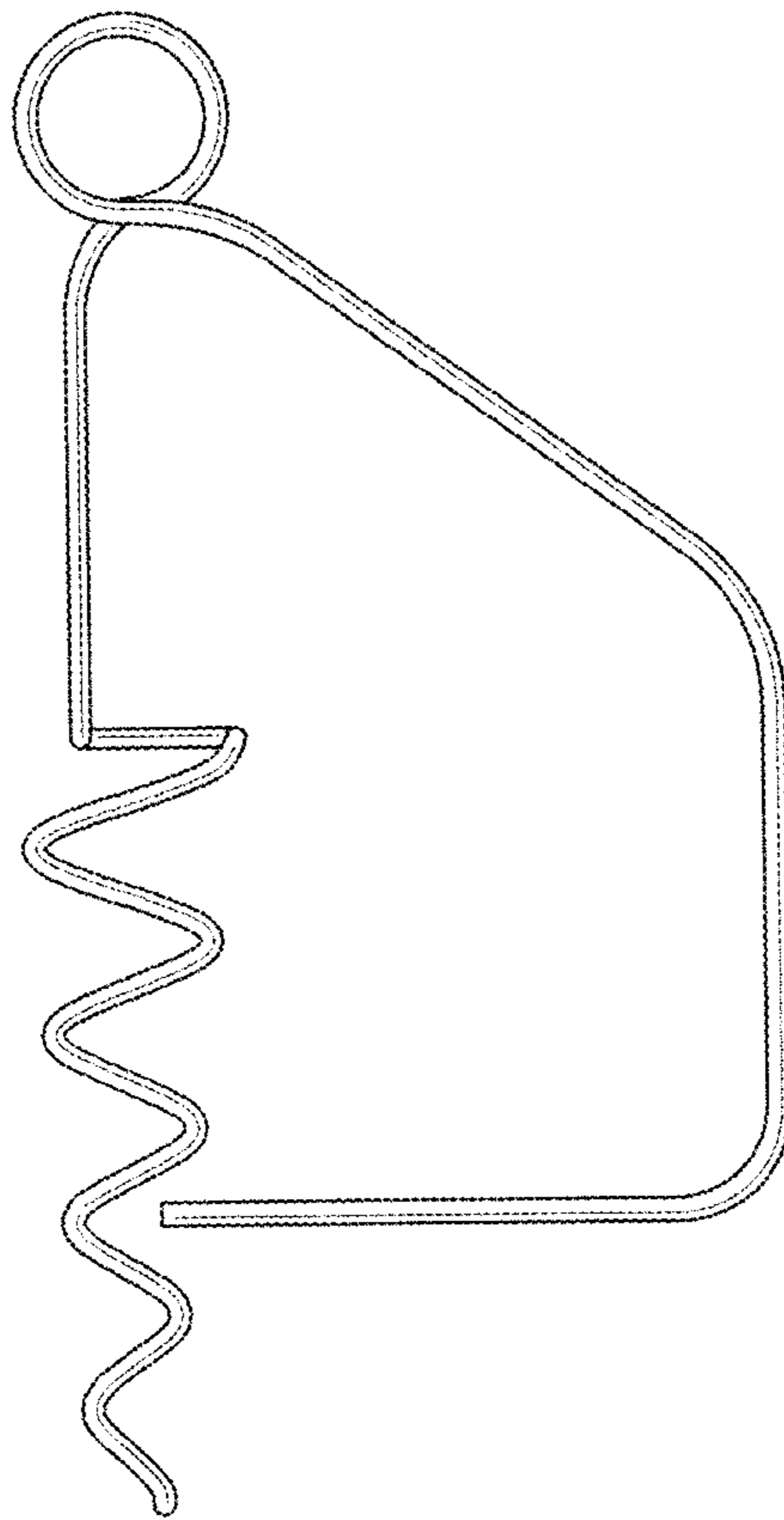


FIG. 7

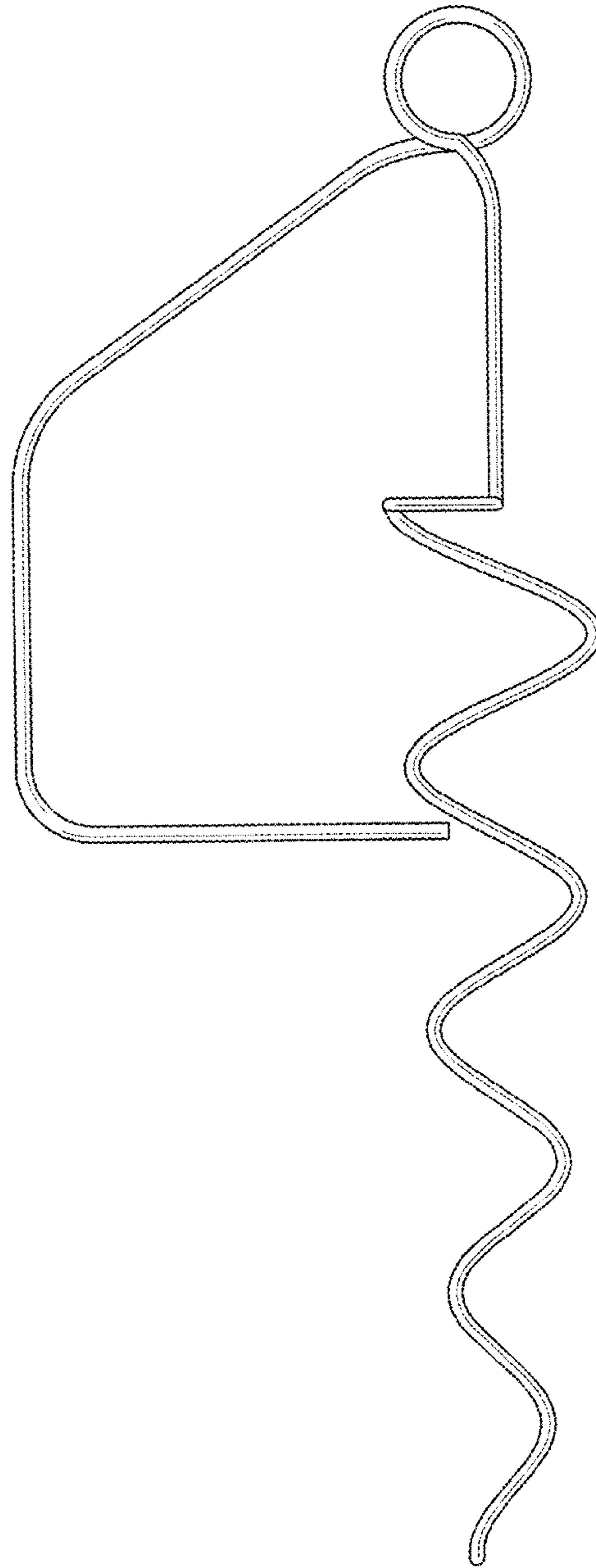


FIG. 8

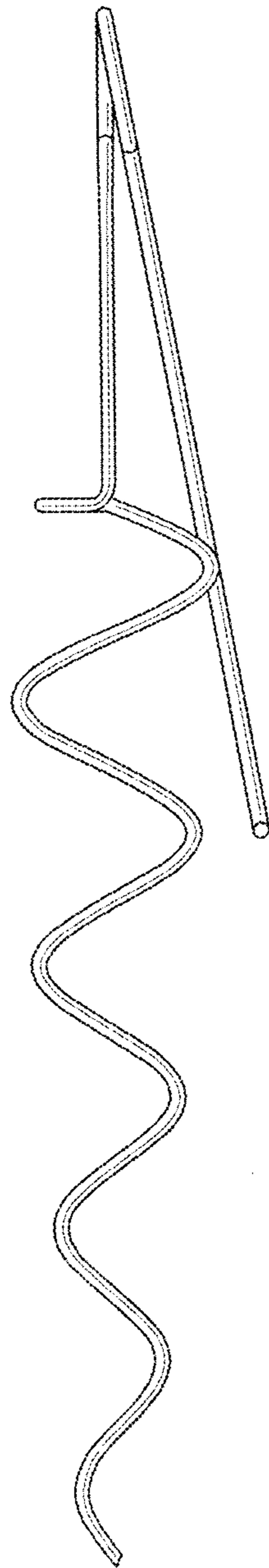


FIG. 9

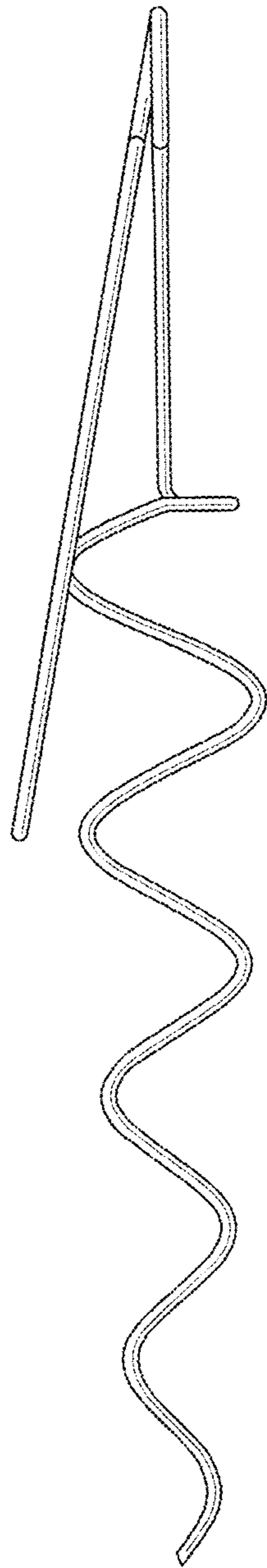


FIG. 10

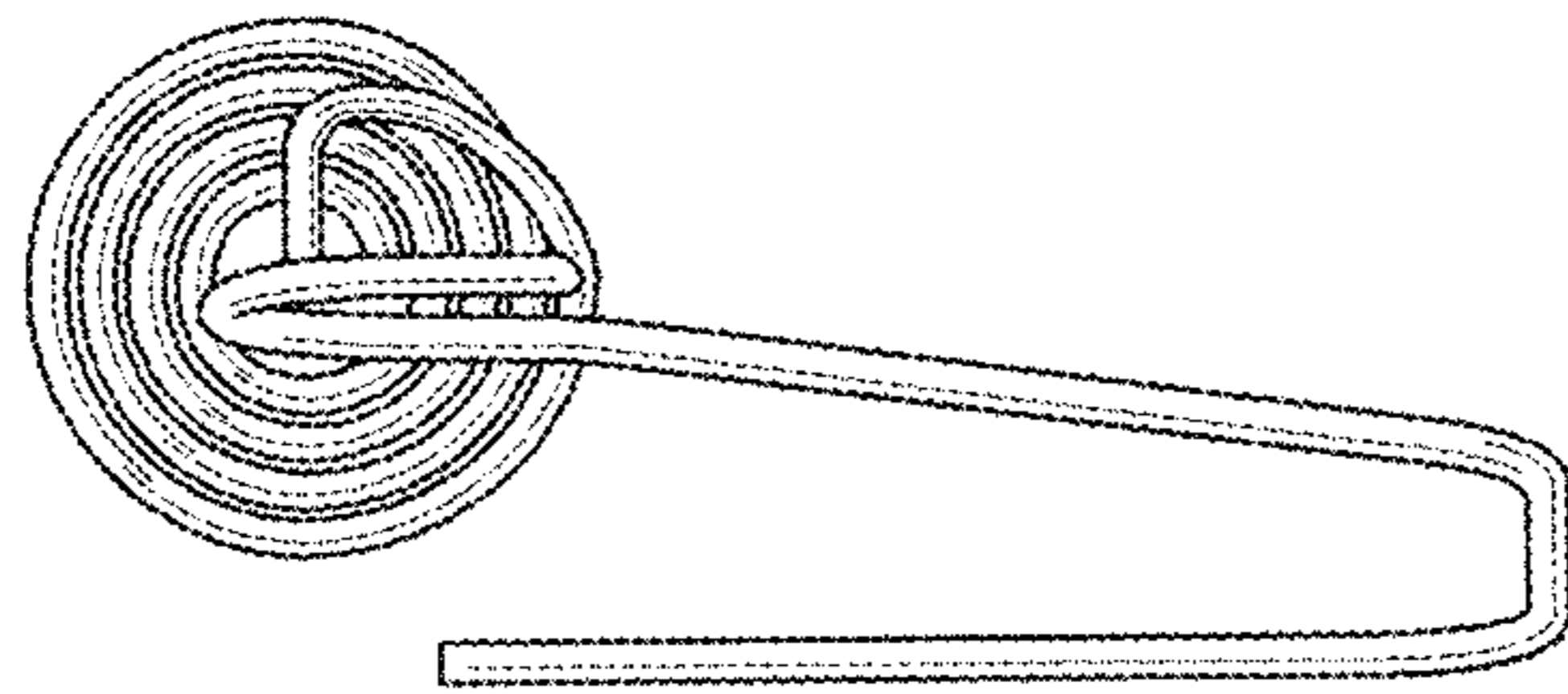


FIG. 11

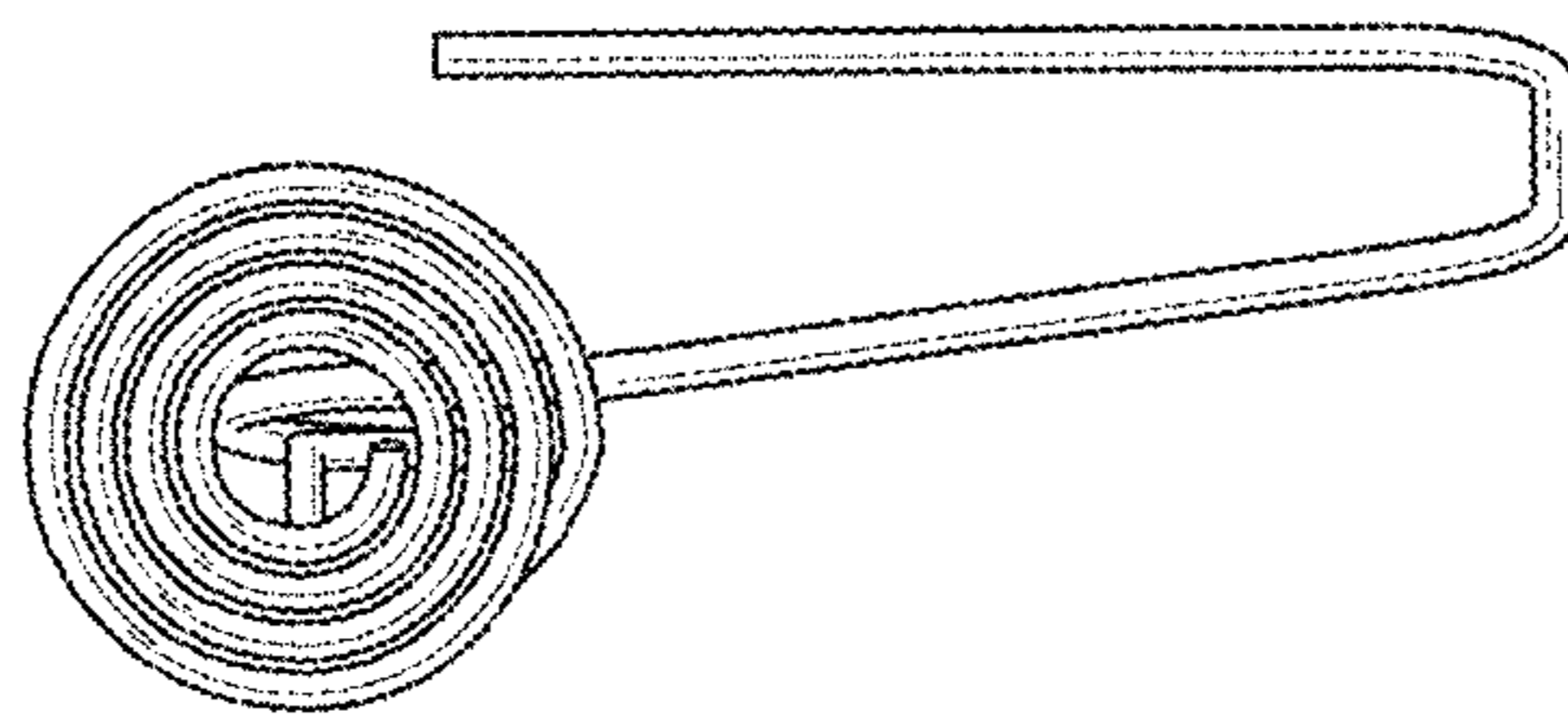


FIG. 12

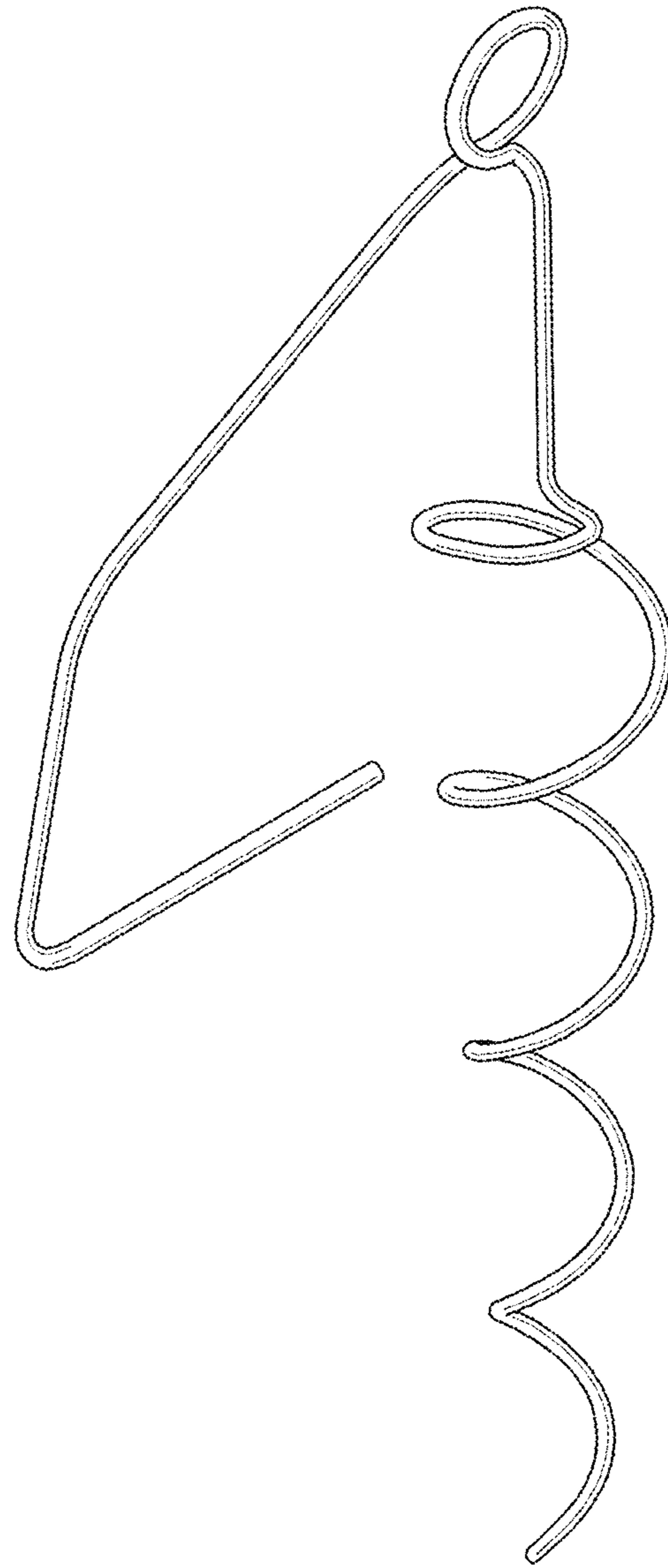


FIG. 13

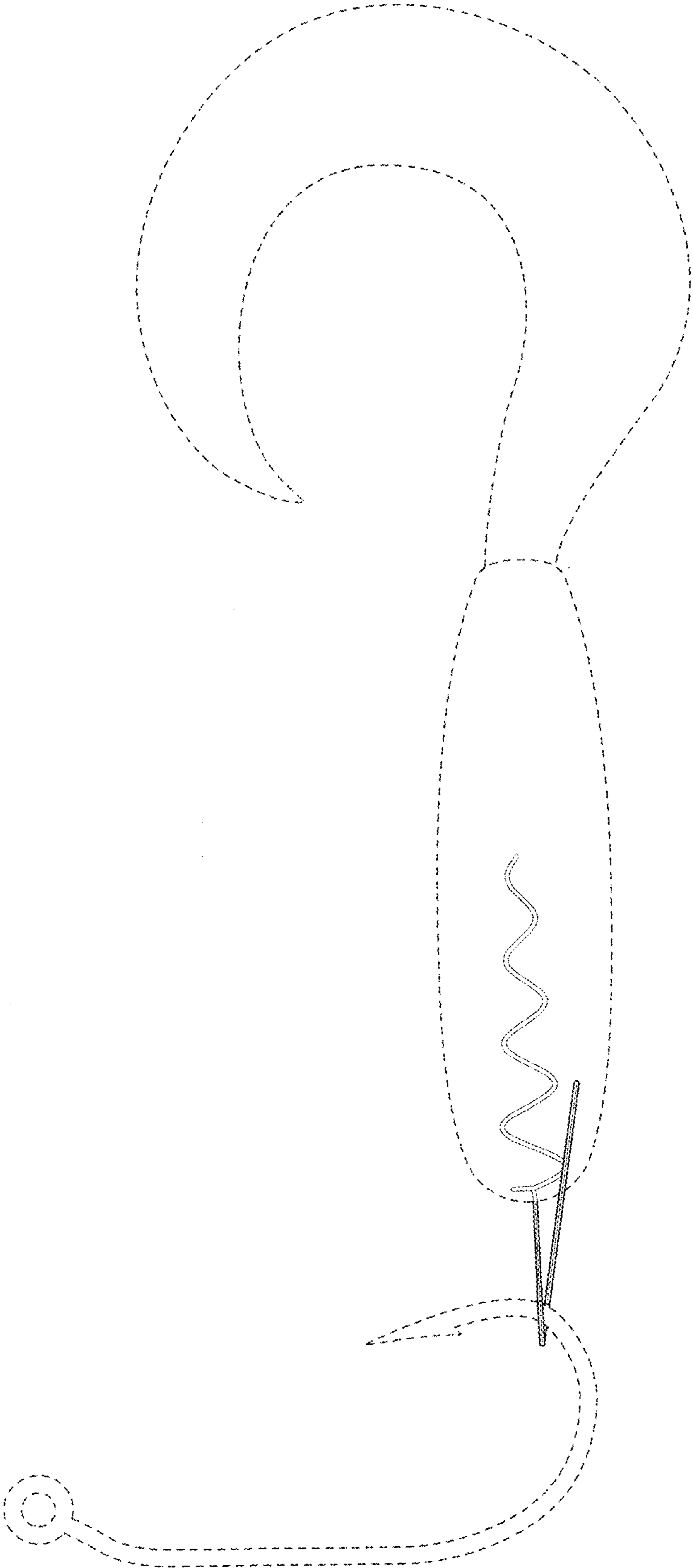


FIG. 14

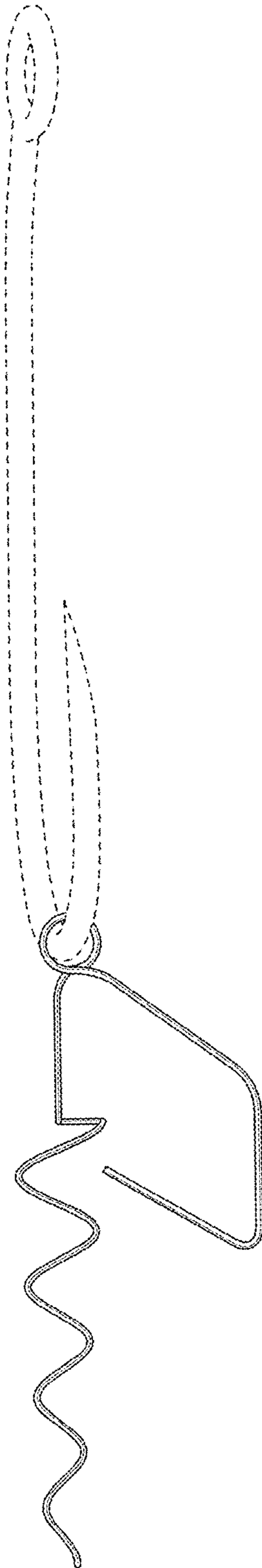


FIG. 15



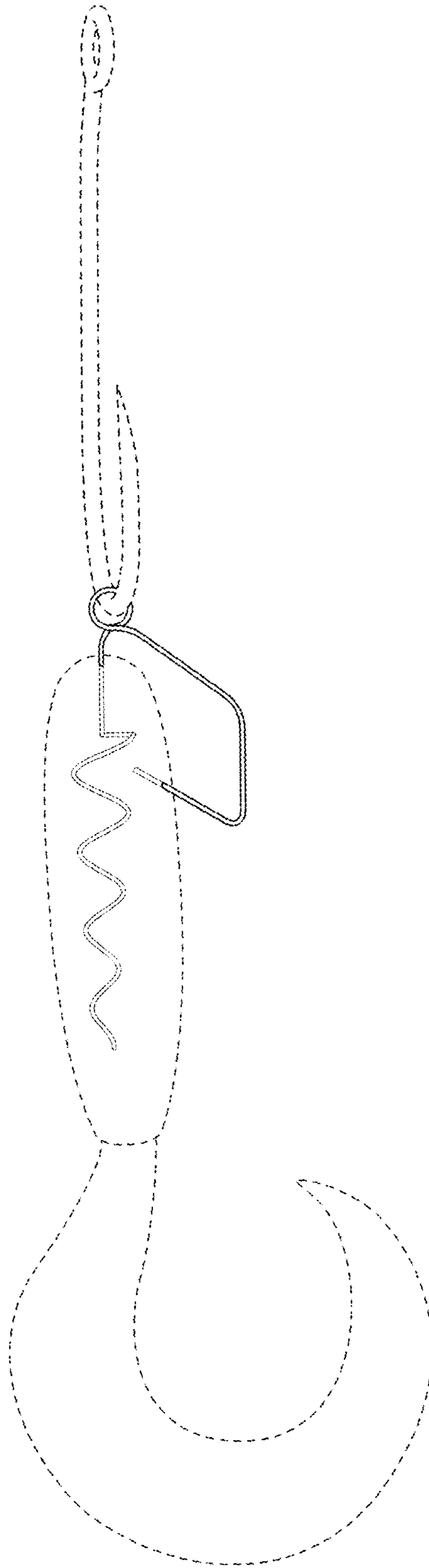


FIG. 16

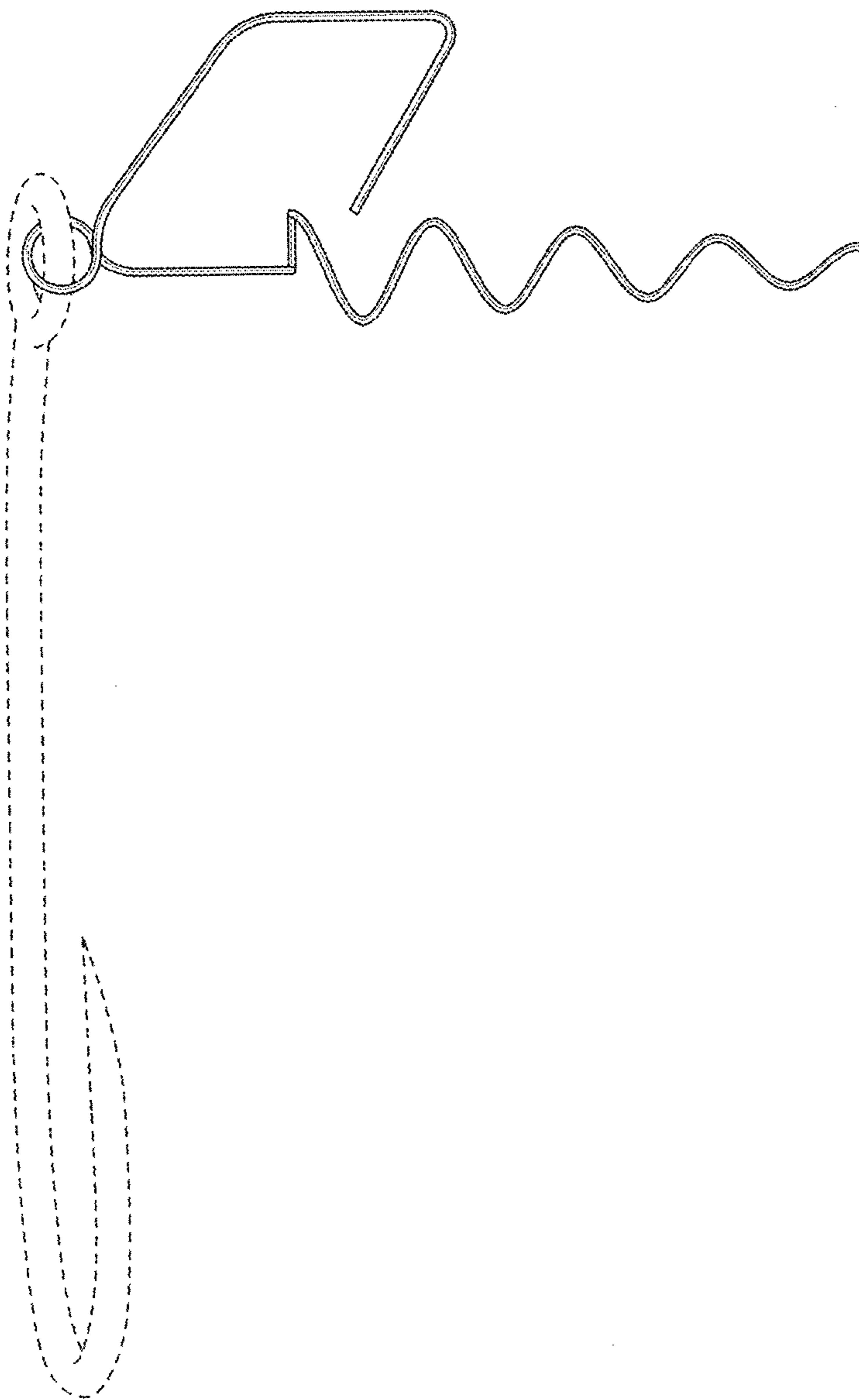


FIG. 17

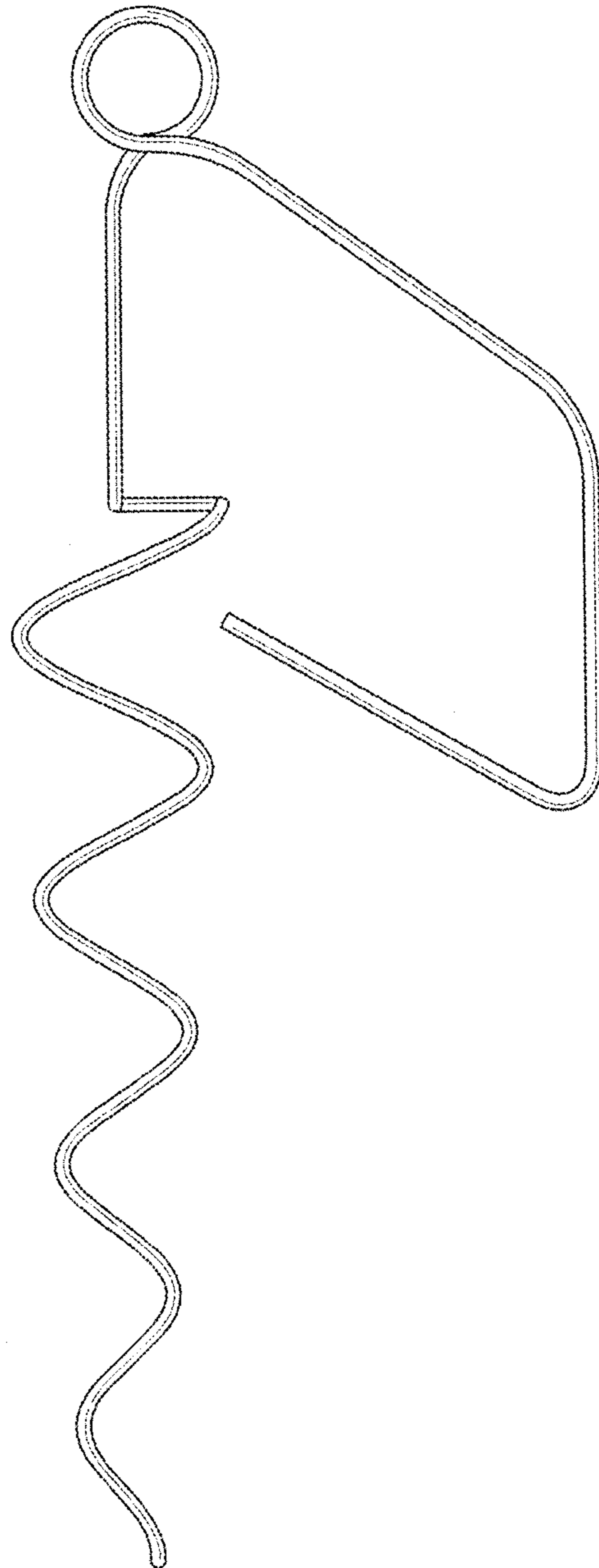


FIG. 18

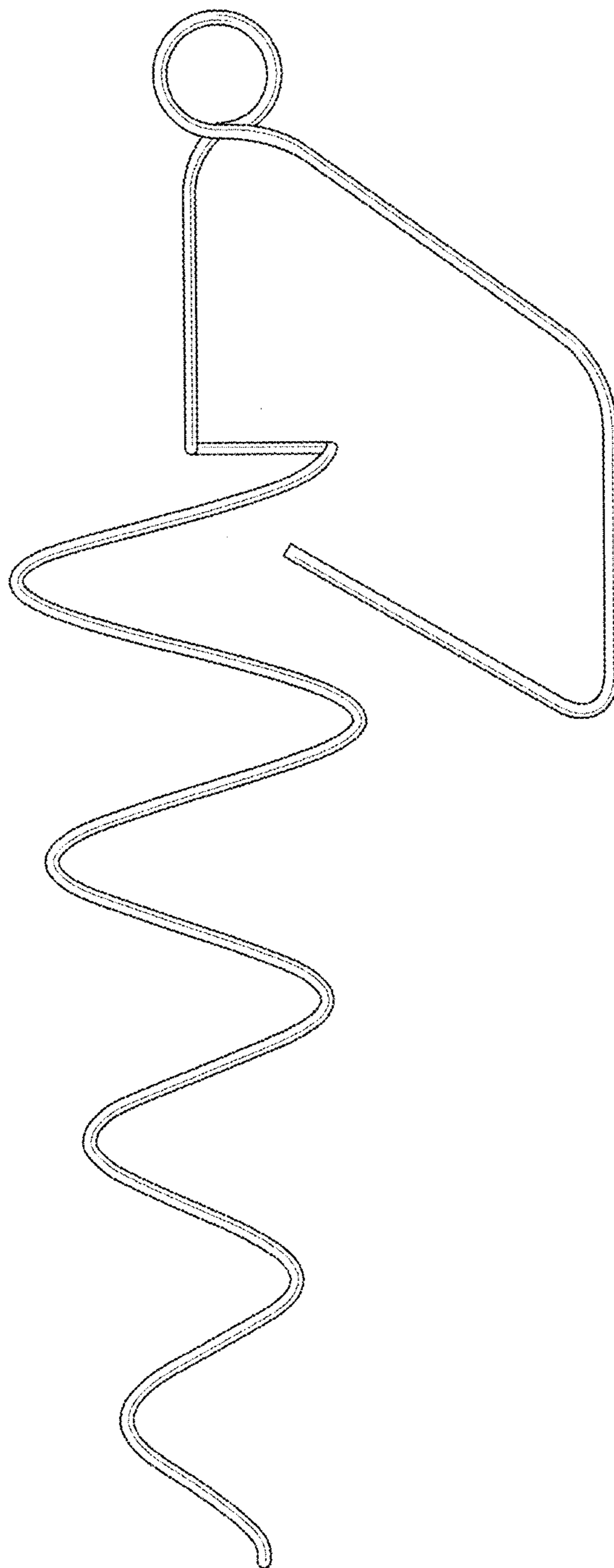


FIG. 19

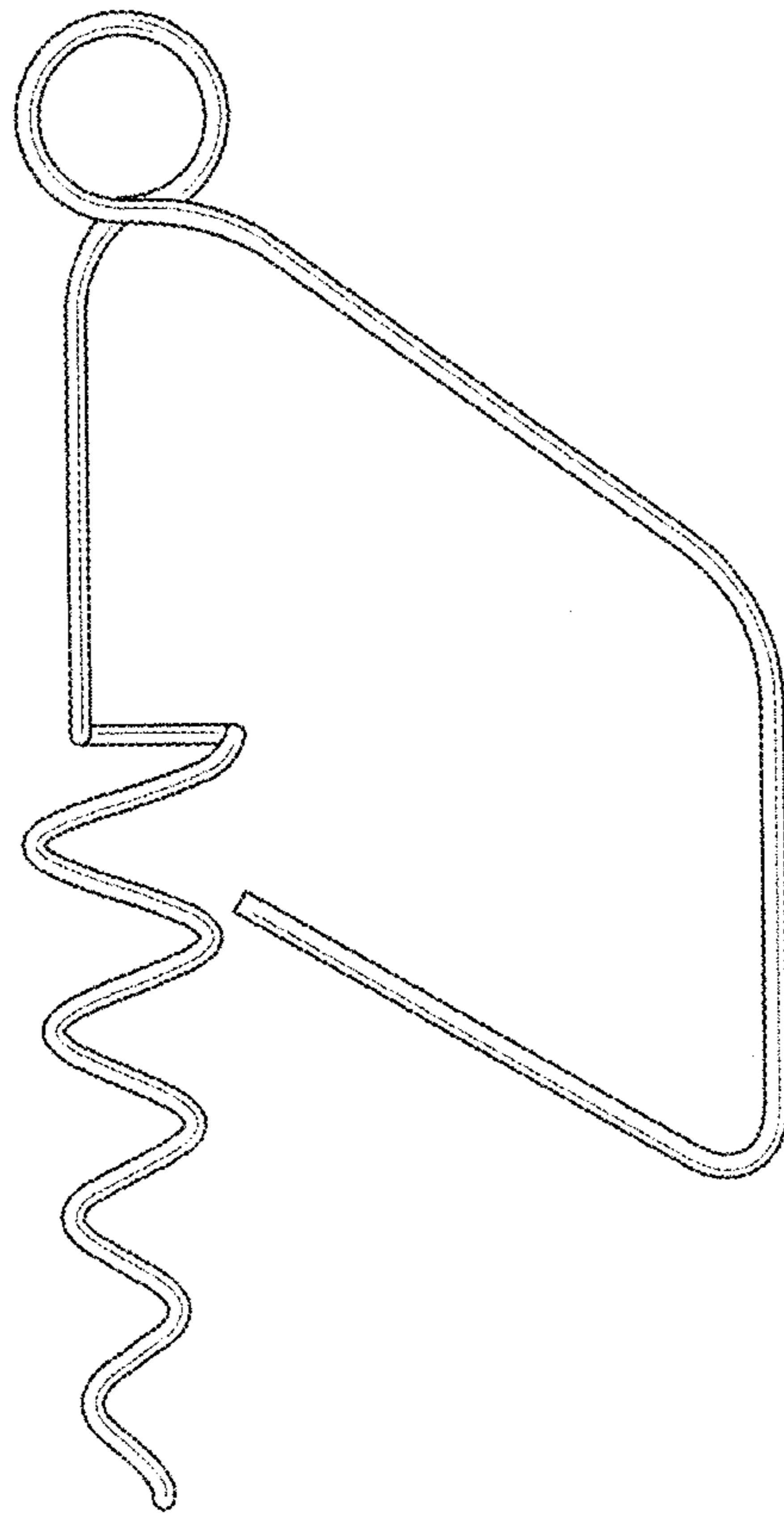


FIG. 20

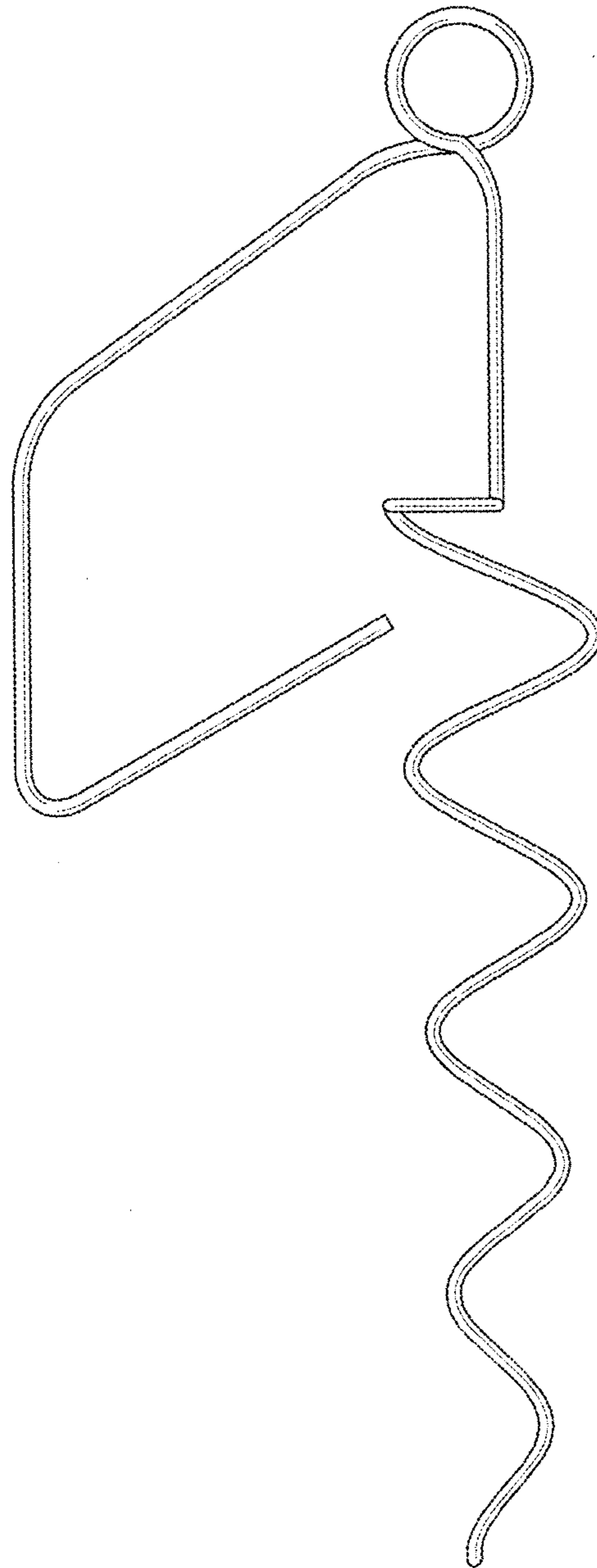


FIG. 21

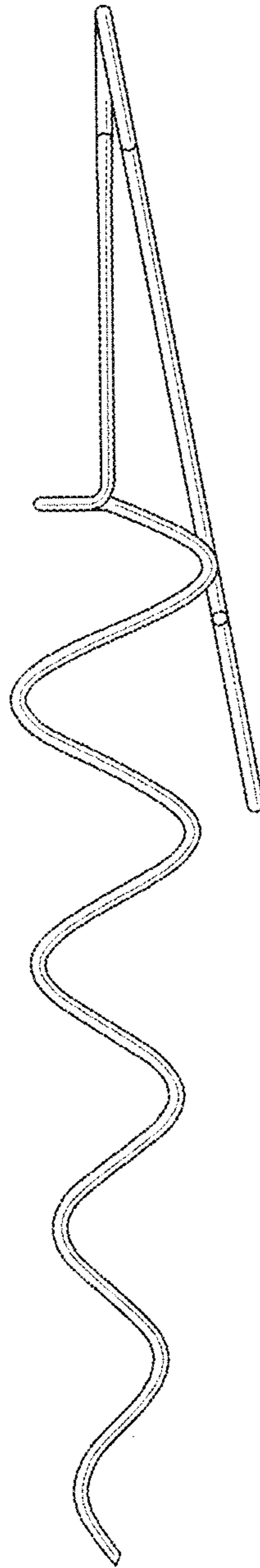


FIG. 22

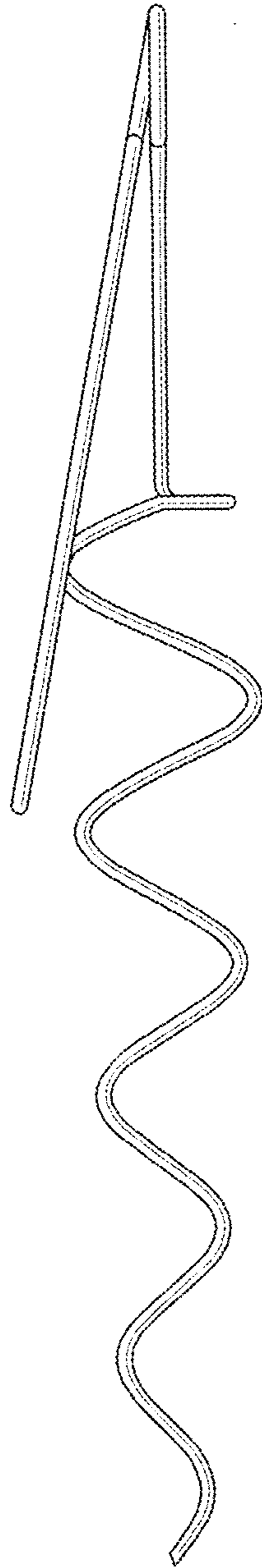


FIG. 23



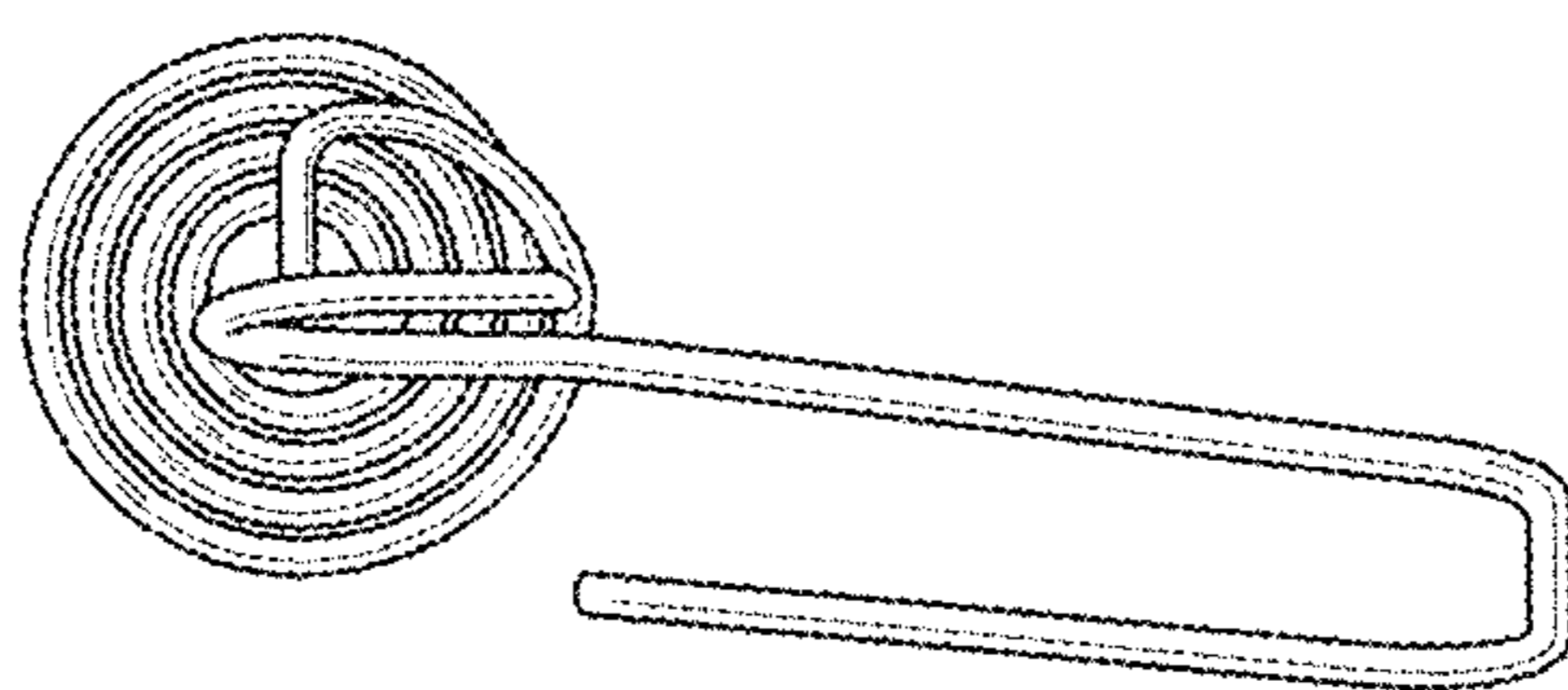


FIG. 24

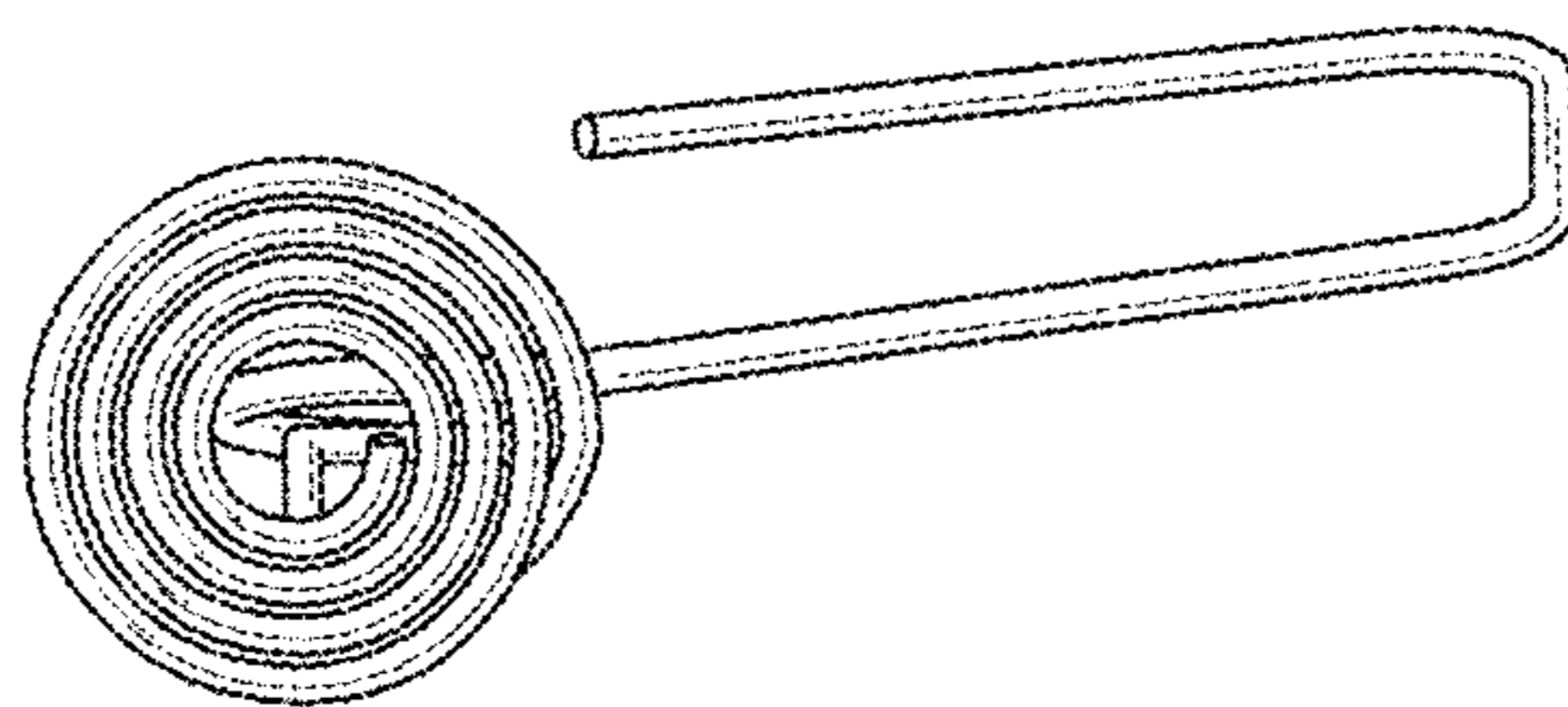


FIG. 25

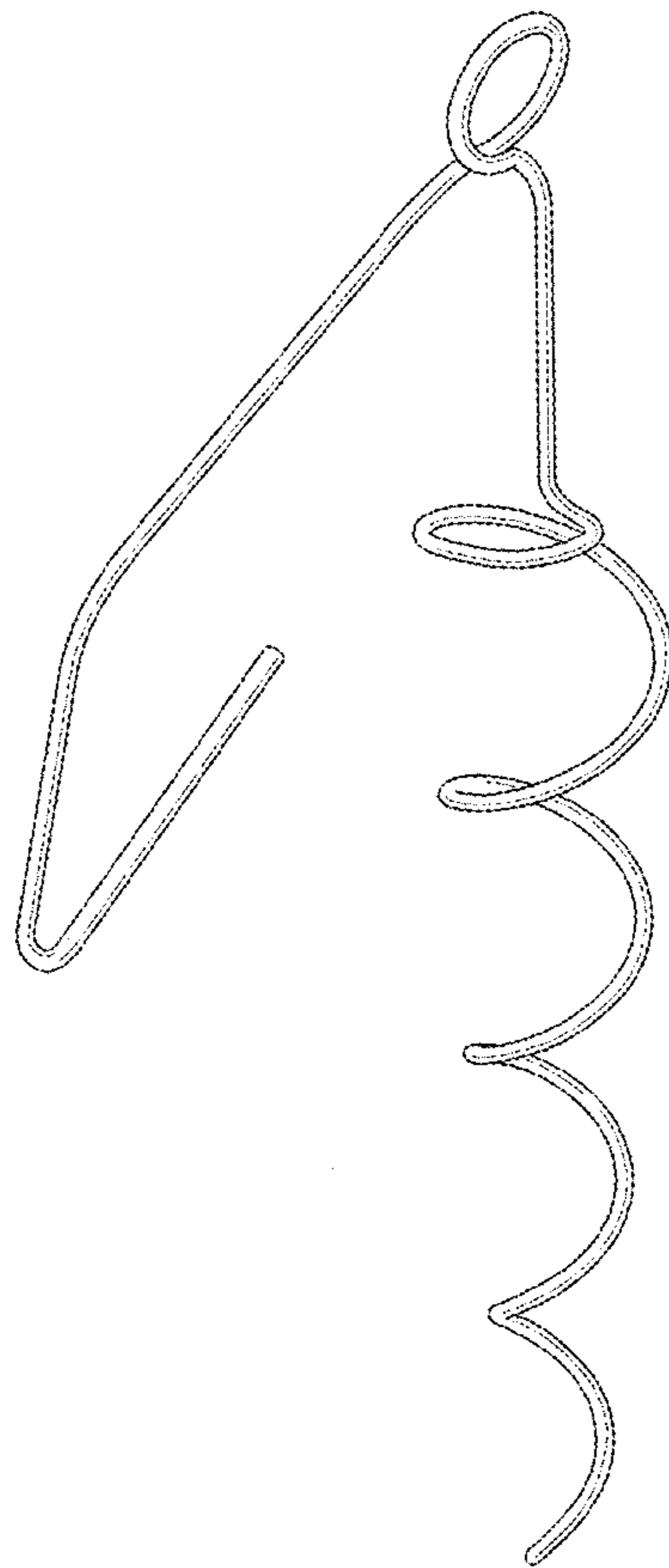


FIG. 26