



US00D787628S

(12) **United States Design Patent**  
**Hammons et al.**

(10) **Patent No.:** **US D787,628 S**

(45) **Date of Patent:** **\*\* May 23, 2017**

(54) **GONG-STYLE SHOOTING TARGET**

(71) Applicant: **G3 Targets, LLC**, Baxter, TN (US)

(72) Inventors: **Joel Hammons**, Cookeville, TN (US);  
**Barry Wilson**, Baxter, TN (US)

(73) Assignee: **G3 Targets, LLC**, Baxter, TN (US)

(\*\*) Term: **15 Years**

(21) Appl. No.: **29/557,532**

(22) Filed: **Mar. 9, 2016**

(51) **LOC (10) Cl.** ..... **22-04**

(52) **U.S. Cl.**

USPC ..... **D22/113**

(58) **Field of Classification Search**

USPC ..... 273/348, 359, 389, 390, 407, 408;  
D7/624.1; D22/113

CPC ..... F41J 7/04; F41J 7/10; F41J 1/10; F41J  
5/205

See application file for complete search history.

(56) **References Cited**

**U.S. PATENT DOCUMENTS**

D26,600 S *	2/1897	Hannold et al.	273/348
D261,667 S *	11/1981	Griggs	D21/308
D289,532 S *	4/1987	Ivie	D21/362
D355,695 S *	2/1995	Moore	D22/113
6,247,700 B1 *	6/2001	Procupetz	F41J 1/01
			273/348
D609,977 S *	2/2010	Gjonaj	D7/624.1
2015/0184984 A1 *	7/2015	Johnson	F41J 1/10
			273/359
2015/0268013 A1 *	9/2015	Heise	F41J 7/04
			273/389

**OTHER PUBLICATIONS**

Amazon, G3 Targets—Dial-It-In Series—8" AR500 MOA-Grid  
Gong, Publication Date Unkown, [site visited Jan. 15, 2017],

Available on the Internet URL:<[https://www.amazon.com/G3-Targets-Dial-AR500-MOA-Grid/dp/B01EXXC2DM/ref=cm\\_cr\\_ar\\_p\\_d\\_product\\_top?ie=UTF8](https://www.amazon.com/G3-Targets-Dial-AR500-MOA-Grid/dp/B01EXXC2DM/ref=cm_cr_ar_p_d_product_top?ie=UTF8)>.\*

Sportsman's Guide, Tree Hanger with Gong Target, Earliest Publication Date from Wayback Time Machine Nov. 19, 2015, [site visited Jan. 15, 2017], Available on the Internet URL:<<http://web.archive.org/web/20151119010040/http://www.sportsmansguide.com/product/index/tree-hanger-with-gong-target?a=1856467>>.\*

\* cited by examiner

*Primary Examiner* — Susan Bennett Hattan

*Assistant Examiner* — S. Bryan Reinholdt, Jr.

(74) *Attorney, Agent, or Firm* — PatentBest; Andrew McAleavey

(57) **CLAIM**

The ornamental design for a gong-style shooting target, as shown and described.

**DESCRIPTION**

FIG. 1 is a perspective view of a gong-style shooting target illustrating our new design;

FIG. 2 is a front elevational view of the gong-style shooting target;

FIG. 3 is a rear elevational view of the gong-style shooting target;

FIG. 4 is a side elevational view of one side of the gong-style shooting target;

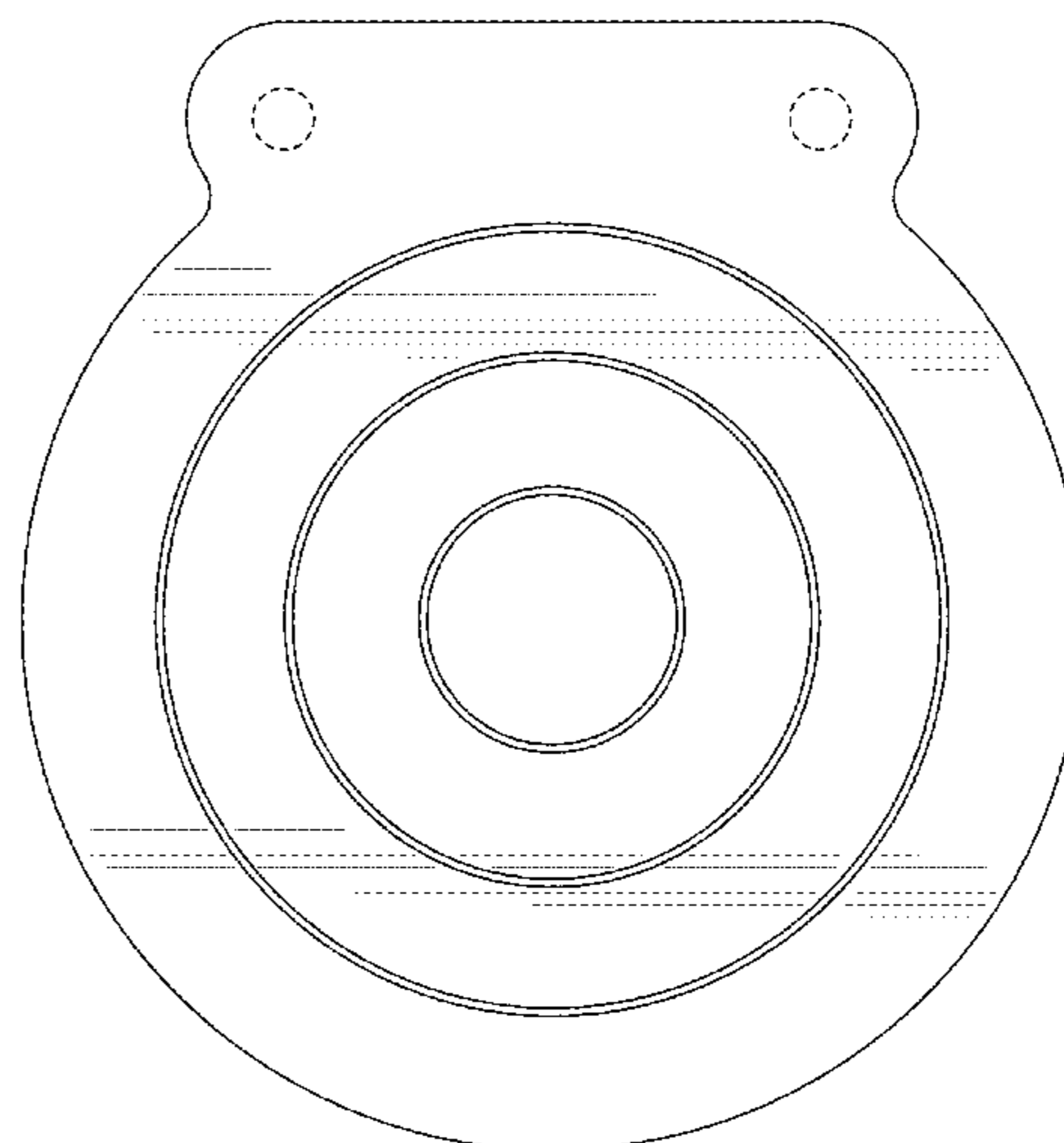
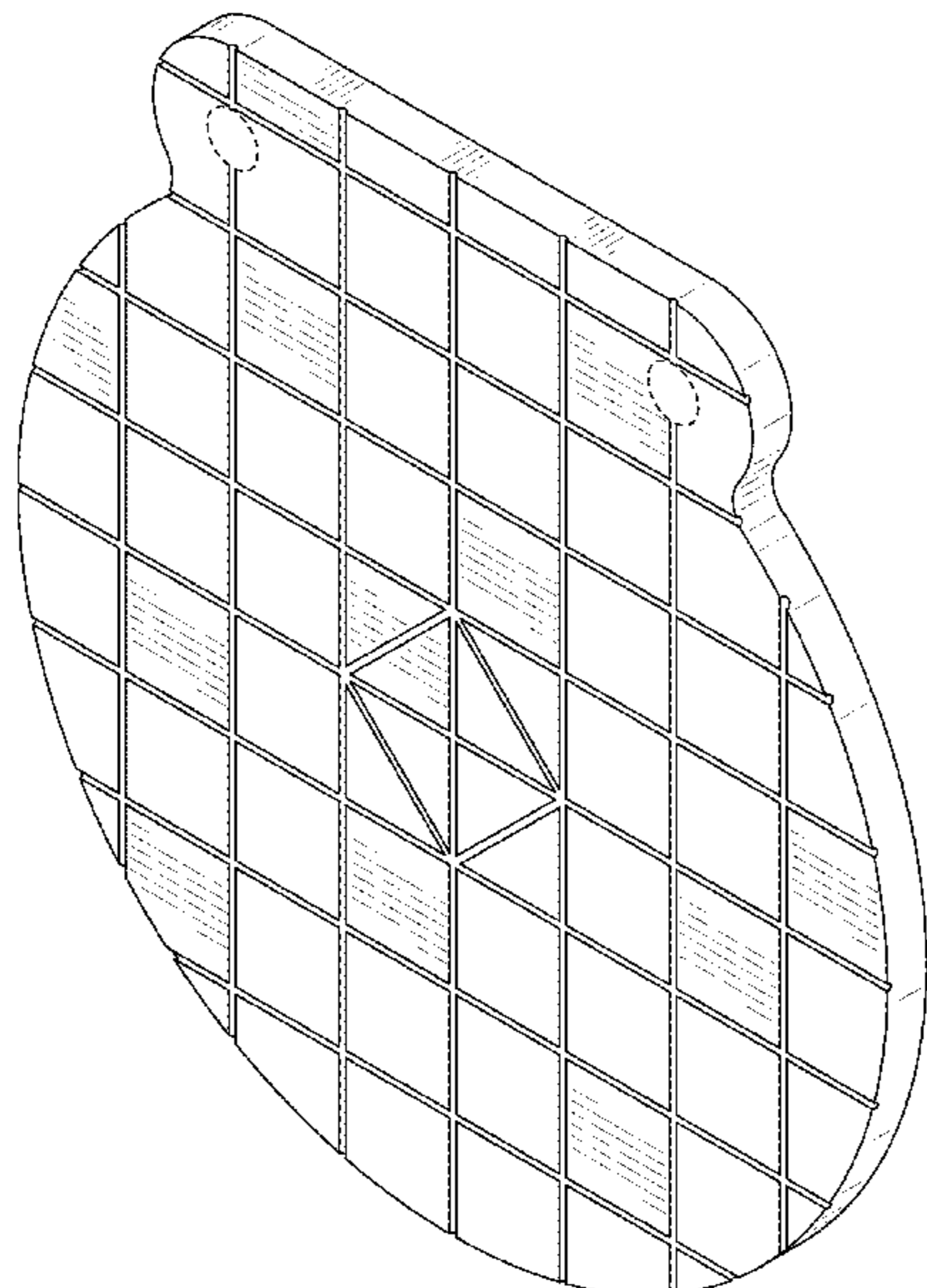
FIG. 5 is a side elevational view of the other side of the gong-style shooting target;

FIG. 6 is a top plan view of the gong-style shooting target; and,

FIG. 7 is a bottom plan view of the gong-style shooting target.

The broken lines represent the bounds of the claimed design that form no part of the claimed design.

**1 Claim, 5 Drawing Sheets**



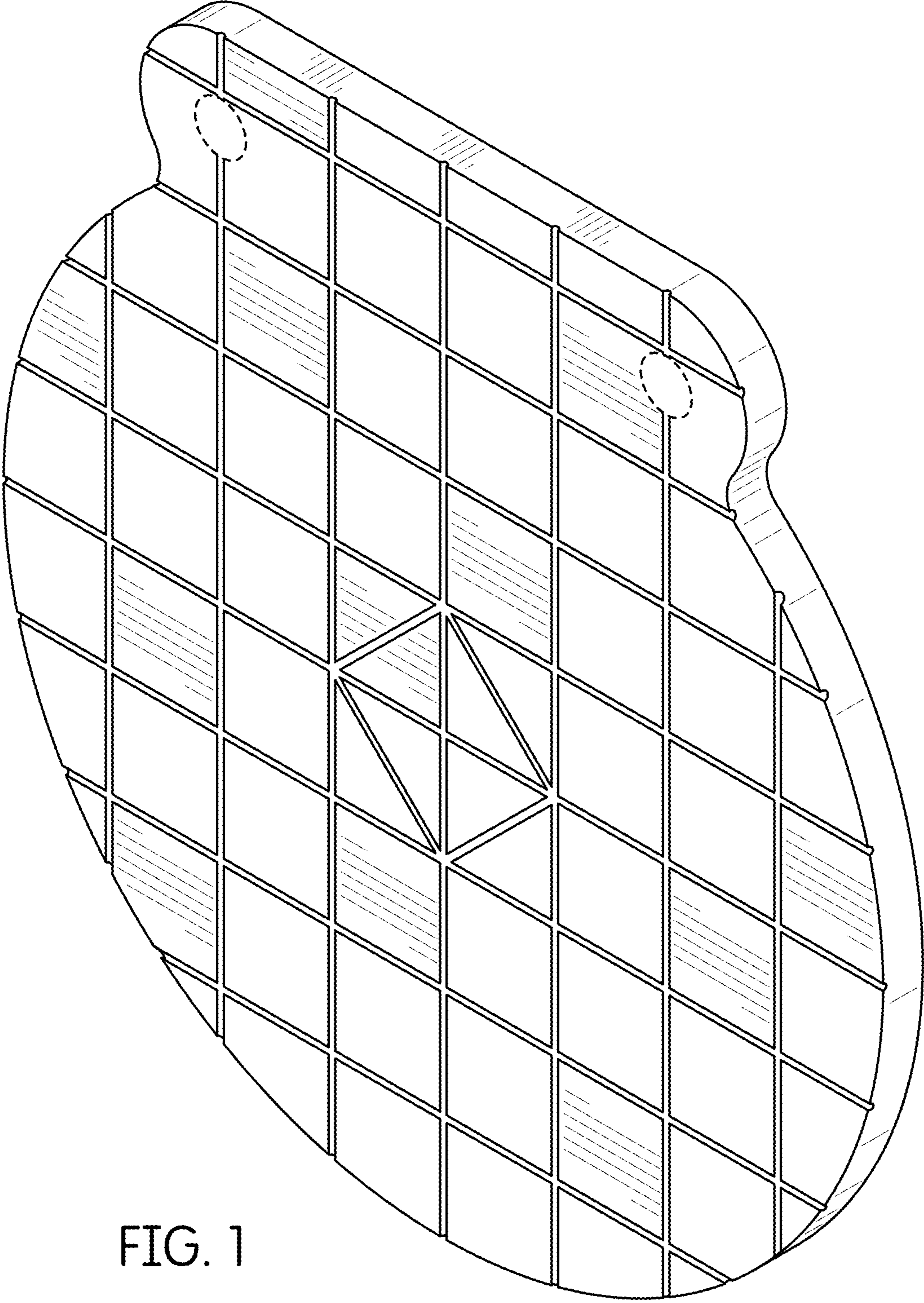


FIG. 1

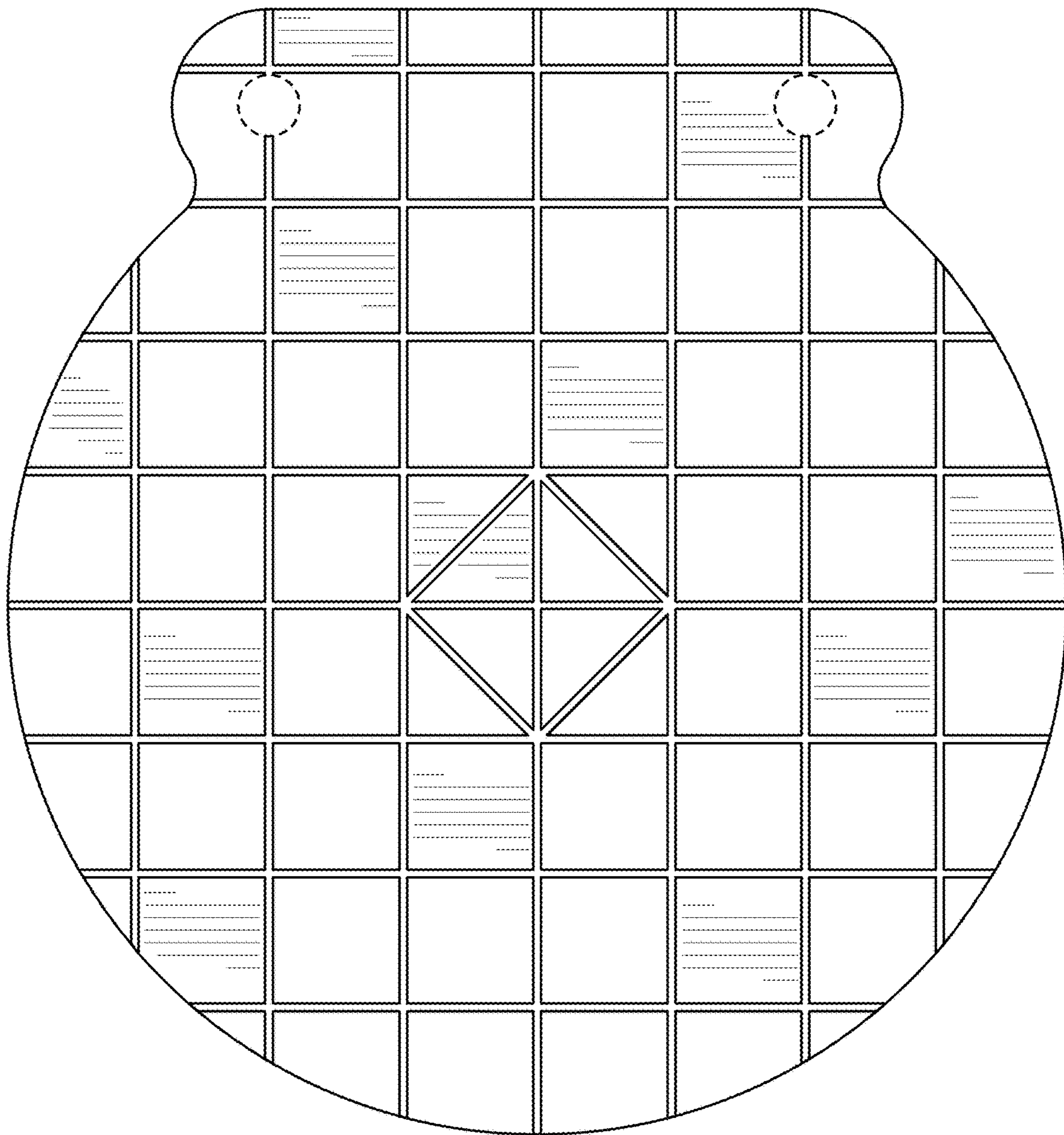


FIG. 2

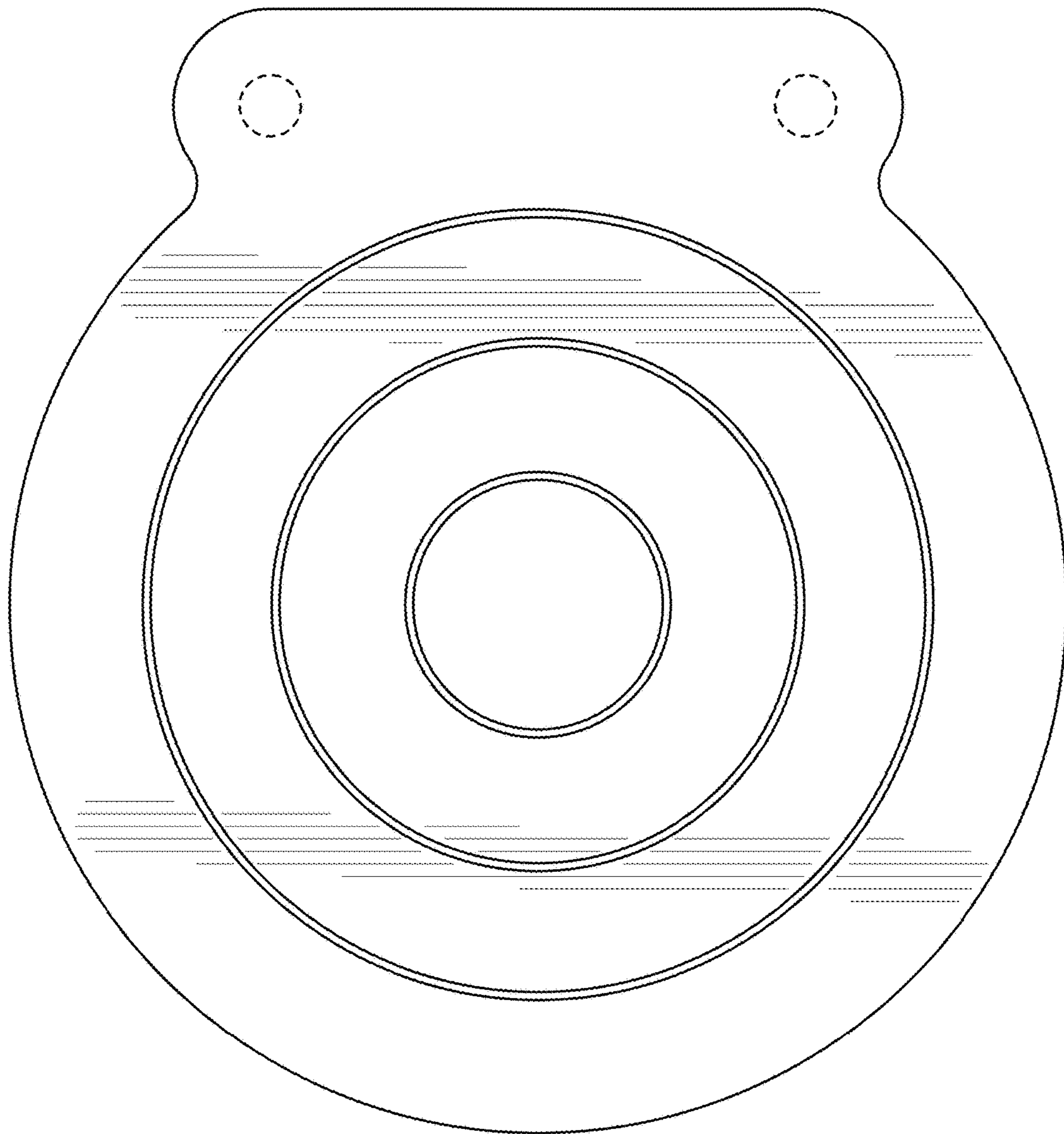


FIG. 3



FIG. 4

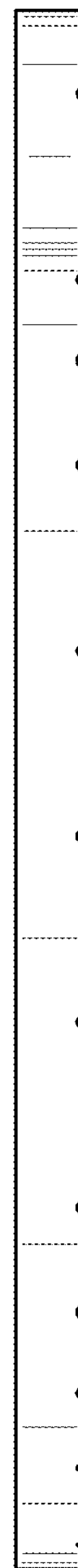


FIG. 5



FIG. 6



FIG. 7