



US00D787627S

(12) **United States Design Patent**  
**Horton**

(10) **Patent No.:** **US D787,627 S**

(45) **Date of Patent:** **\*\* May 23, 2017**

(54) **FIREARM SIGHT**

(71) Applicant: **Sellmark Corporation**, Mansfield, TX (US)

(72) Inventor: **Jonathan Horton**, Arlington, TX (US)

(73) Assignee: **Sellmark Corporation**, Mansfield, TX (US)

(\*\*) Term: **15 Years**

(21) Appl. No.: **29/546,077**

(22) Filed: **Nov. 18, 2015**

(51) **LOC (10) Cl.** ..... **22-01**

(52) **U.S. Cl.**  
USPC ..... **D22/109**

(58) **Field of Classification Search**  
USPC ..... D22/108-111; D16/132, 134, 330;  
42/85, 111, 114, 118, 119, 122, 123, 130,  
42/133, 141, 142, 144, 145, 146  
CPC ..... F41G 1/00; F41G 1/01; F41G 1/16; F41G  
1/38; F41G 1/40; F41G 1/42; F41G  
1/345; F41G 11/003

See application file for complete search history.

(56) **References Cited**

**U.S. PATENT DOCUMENTS**

D616,956 S *	6/2010	Hamilton	.....	D22/108
D619,190 S *	7/2010	Larsson	.....	D22/108
8,116,015 B2 *	2/2012	Hamilton	.....	G02B 23/16 359/818
D679,775 S *	4/2013	Cheng	.....	D22/109
D704,297 S *	5/2014	Cheng	.....	D22/109
D728,062 S *	4/2015	Hamilton	.....	D22/109
D741,446 S *	10/2015	Cheng	.....	D22/109
D752,701 S *	3/2016	Bengtsson	.....	D22/109
D757,886 S *	5/2016	Cheng	.....	D22/109
D764,006 S *	8/2016	Horton	.....	D22/109
D764,007 S *	8/2016	Horton	.....	D22/109

D765,212 S *	8/2016	Cheng	.....	D22/109
RE46,226 E *	12/2016	Gambino	.....	D22/109
D774,158 S *	12/2016	Cheng	.....	D22/109
2007/0068058 A1 *	3/2007	Remo	.....	F41G 11/003 42/122
2008/0295380 A1 *	12/2008	Buckingham	.....	F41G 1/345 42/131
2012/0013258 A1 *	1/2012	Browe	.....	F41G 1/345 315/158
2012/0167441 A1 *	7/2012	Holmberg	.....	F41G 11/004 42/119

**OTHER PUBLICATIONS**

Slowik, Max, New Sightmark Wolfhound and Pinnacle optics in 6x and 1-6x, posted at Guns.com, posting date Nov. 12, 2014. [online], [site visited Sep. 30, 2016]. Available from Internet, <URL: http://www.guns.com/2014/11/12/new-sightmark-wolfhound-and-pinnacle-optics-in-6x-and-1-6x/>.\*

(Continued)

*Primary Examiner* — Kevin Rudzinski

*Assistant Examiner* — Kathleen Jones

(74) *Attorney, Agent, or Firm* — Mark D. Perdue

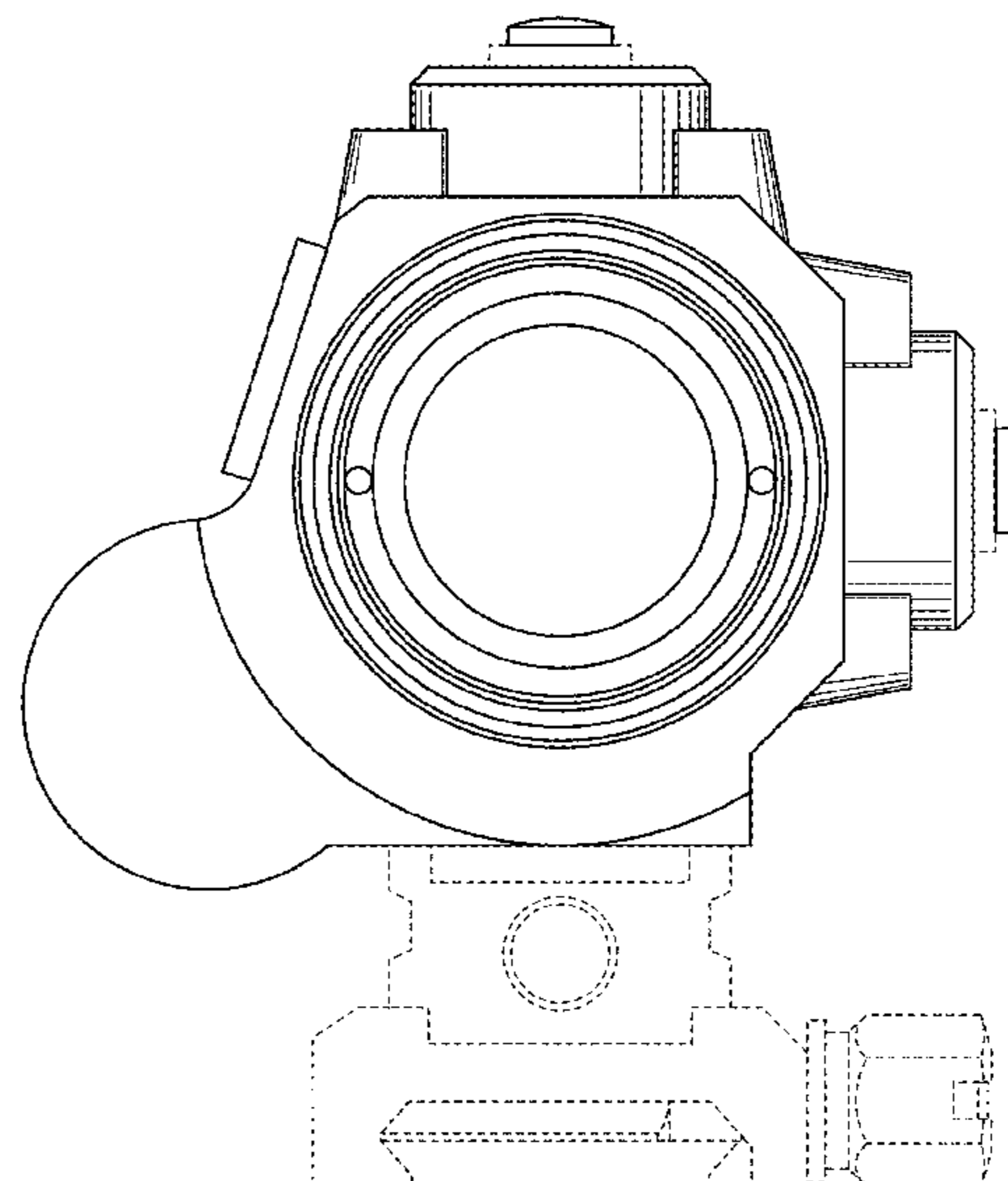
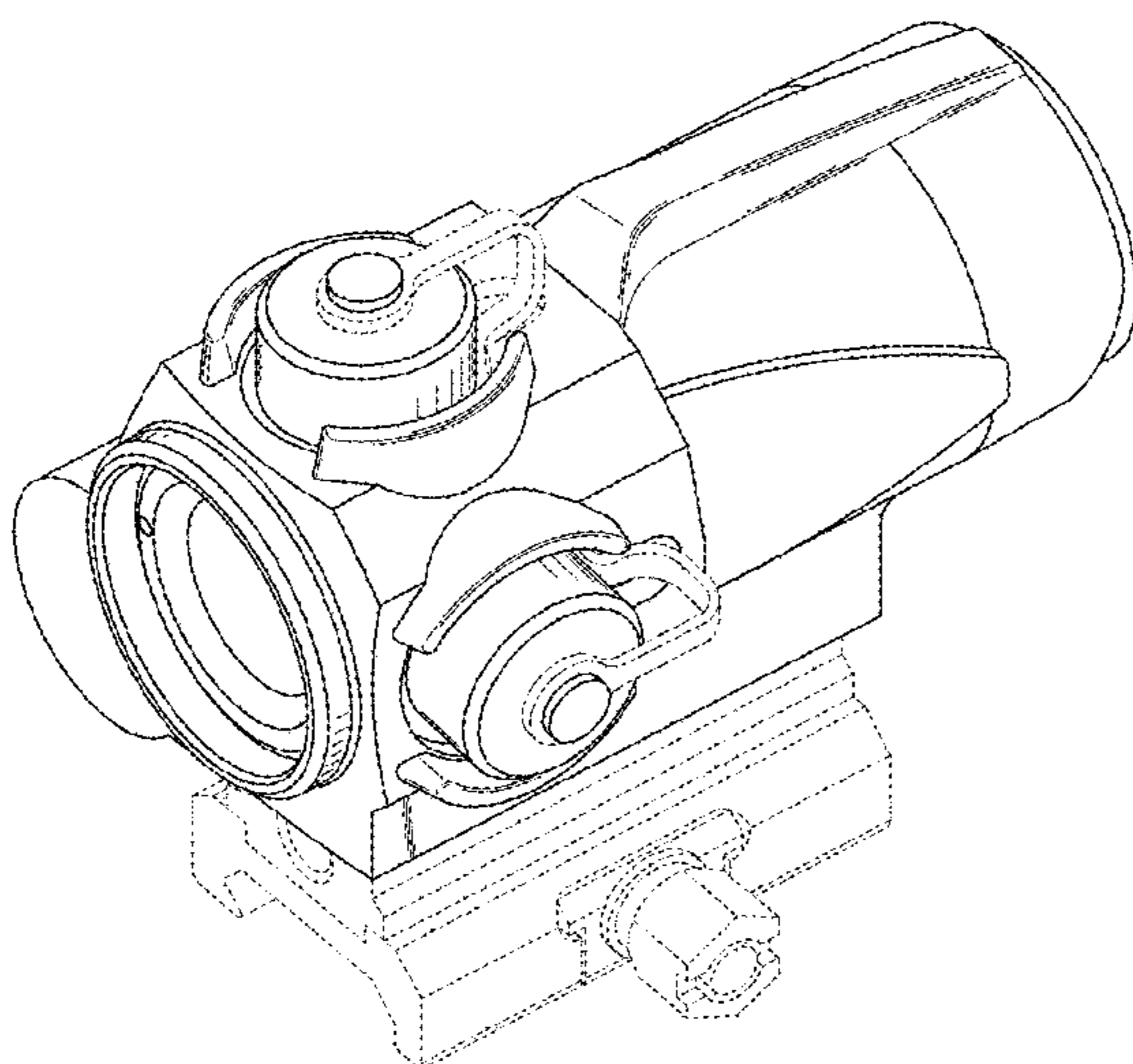
(57) **CLAIM**

The ornamental design for the firearm sight, as shown and described.

**DESCRIPTION**

FIG. 1 is an isometric view of the firearm sight. FIG. 2 is a right side view of the firearm sight of FIG. 1. FIG. 3 is a left side view of the firearm sight of FIG. 1. FIG. 4 is a rear view of the firearm sight of FIG. 1. FIG. 5 is a front view of the firearm sight of FIG. 1. FIG. 6 is a top view of the firearm sight of FIG. 1; and, FIG. 7 is a bottom view of the firearm sight of FIG. 1. The broken lines depict portions of the firearm sight that form no part of the claimed design.

**1 Claim, 7 Drawing Sheets**



(56)

**References Cited**

OTHER PUBLICATIONS

Armament Technology Inc., Specter 3x Optical Sight, ca. 2006,  
<http://www.armament.com/specter-3x-optical-sight>.

Design U.S. Appl. No. 29/514,391, filed Jan. 12, 2015, inventors  
Jonathan Horton and Penfeng Li.

Design U.S. Appl. No. 29/514,393, filed Jan. 12, 2015, inventors  
Jonathan Horton and Penfeng Li.

\* cited by examiner

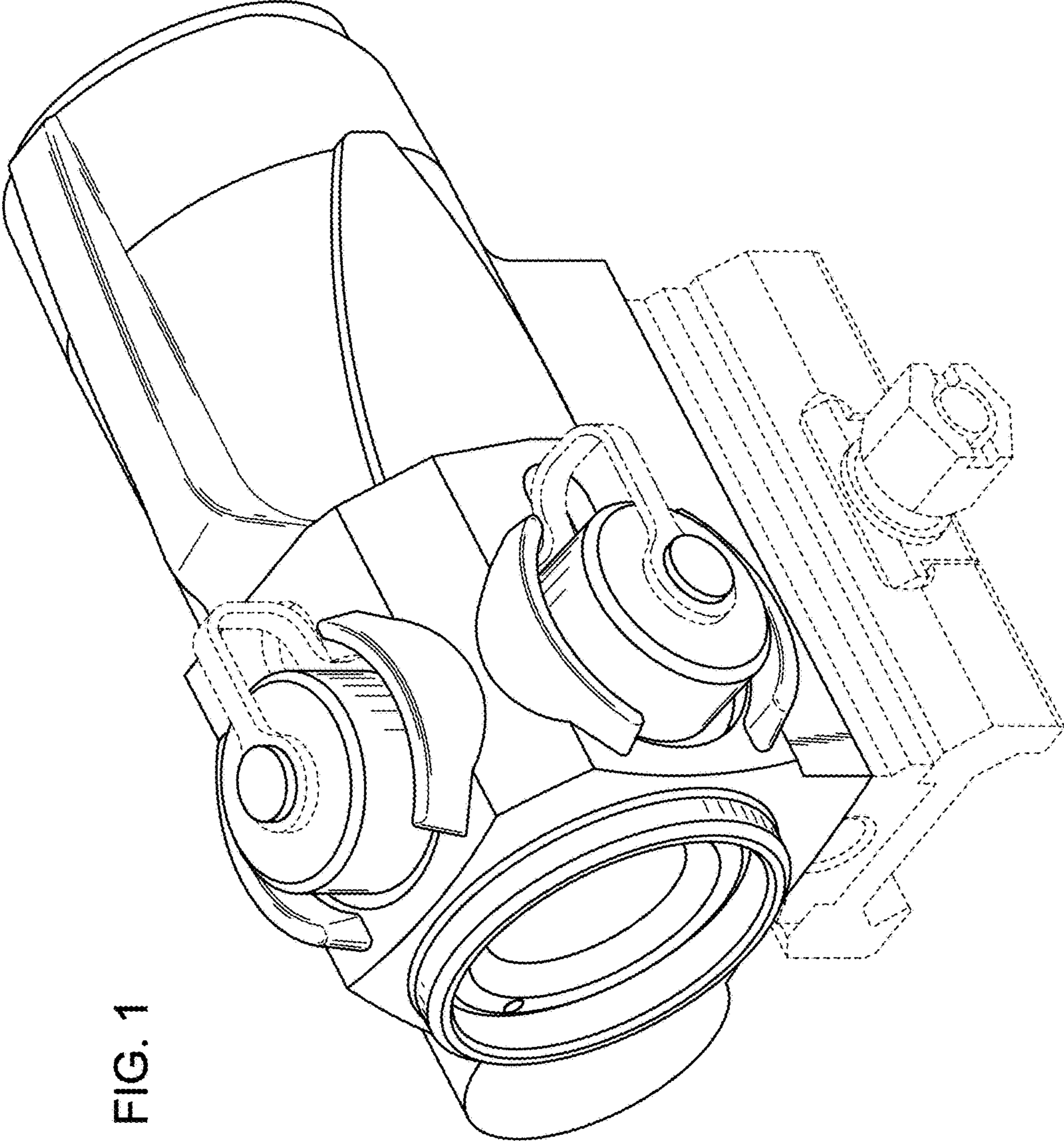


FIG. 1

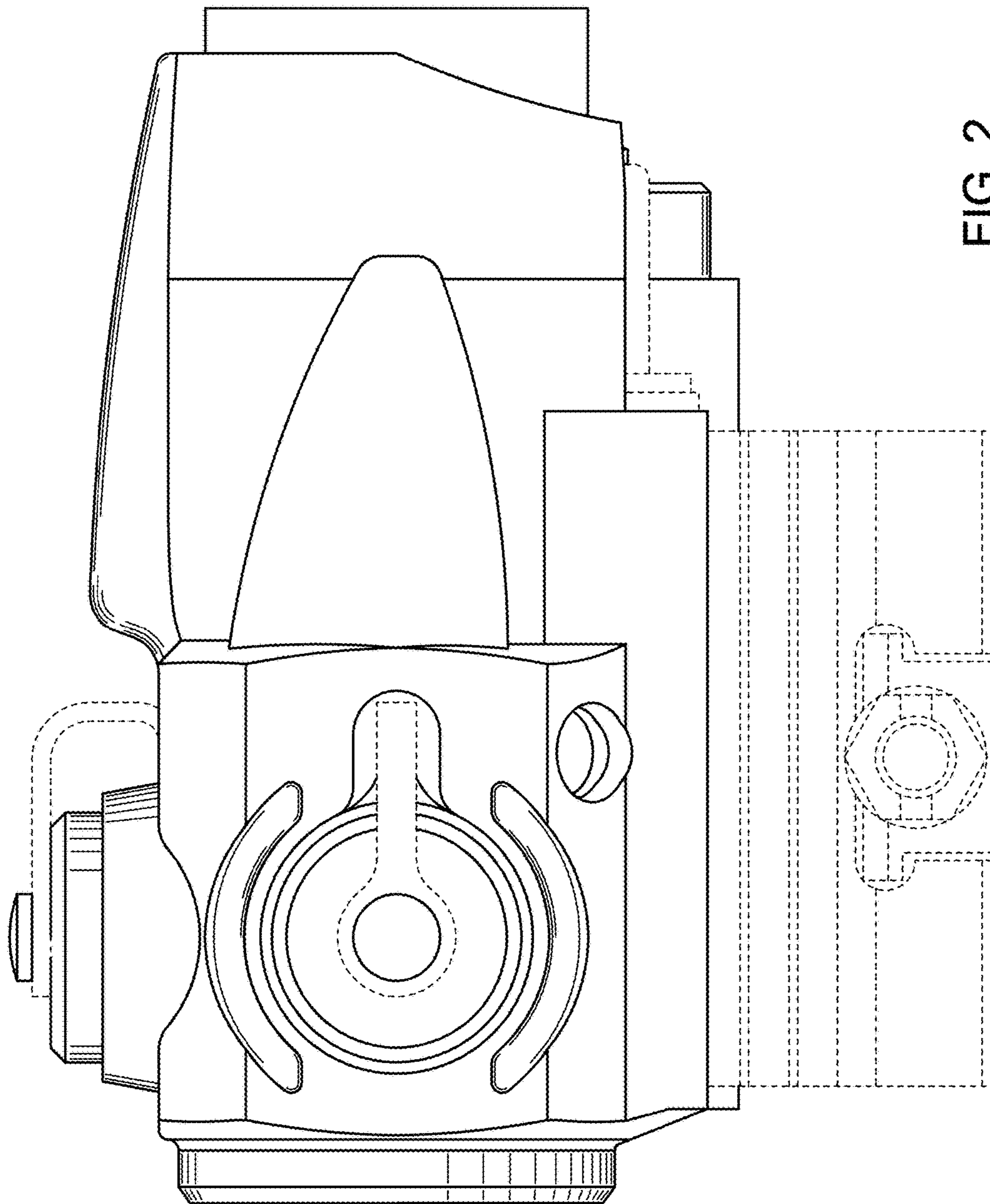


FIG. 2

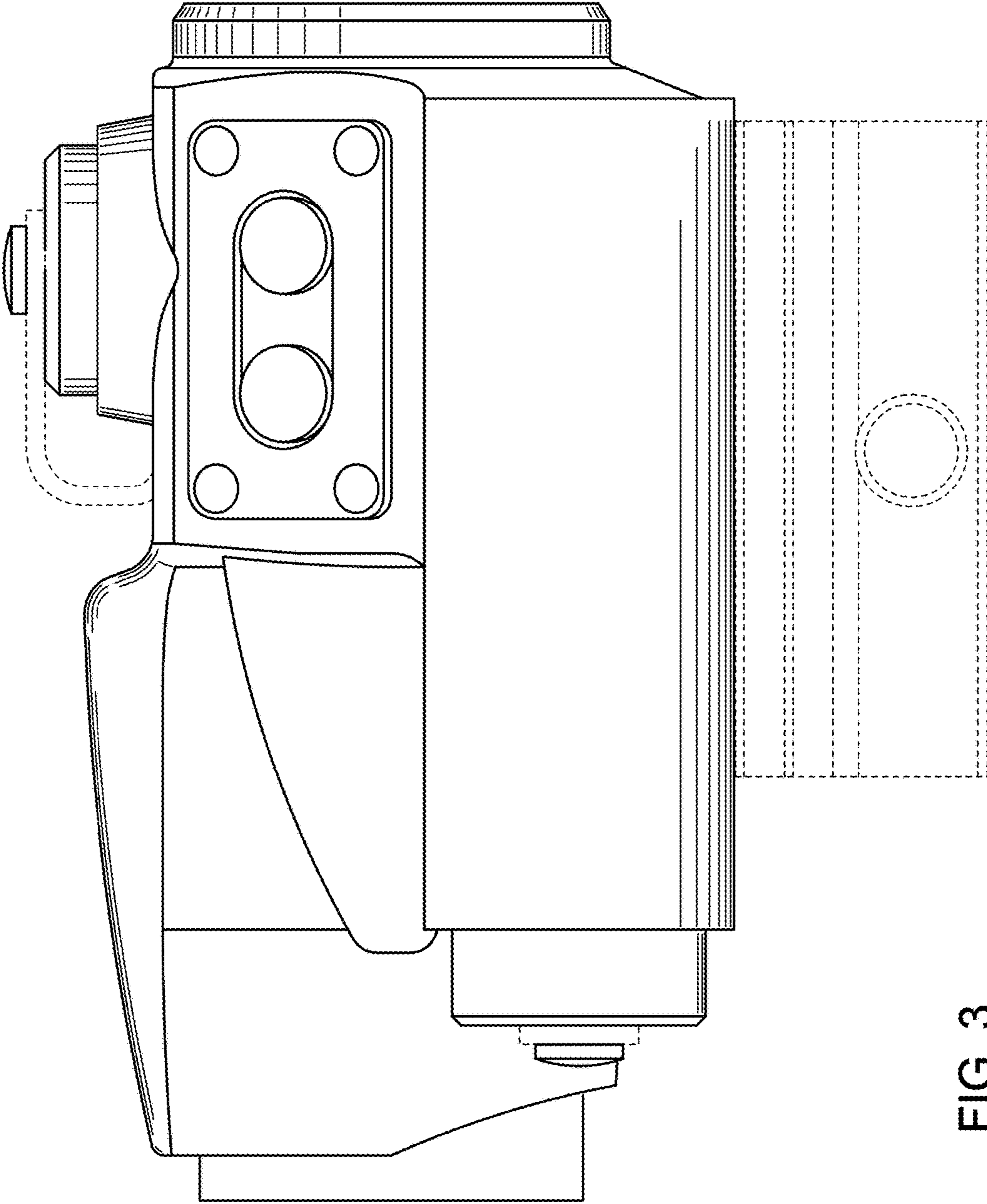


FIG. 3

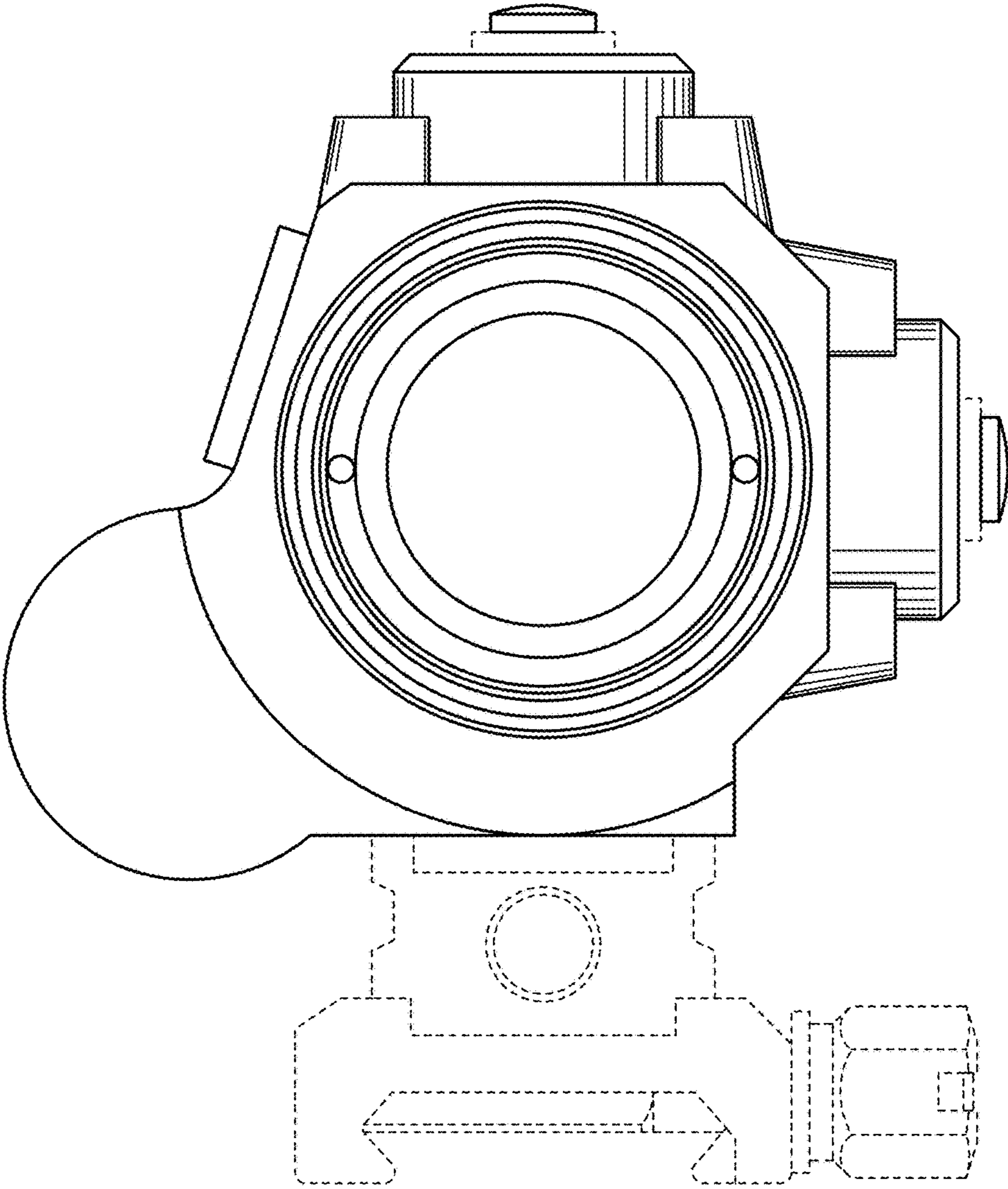


FIG. 4

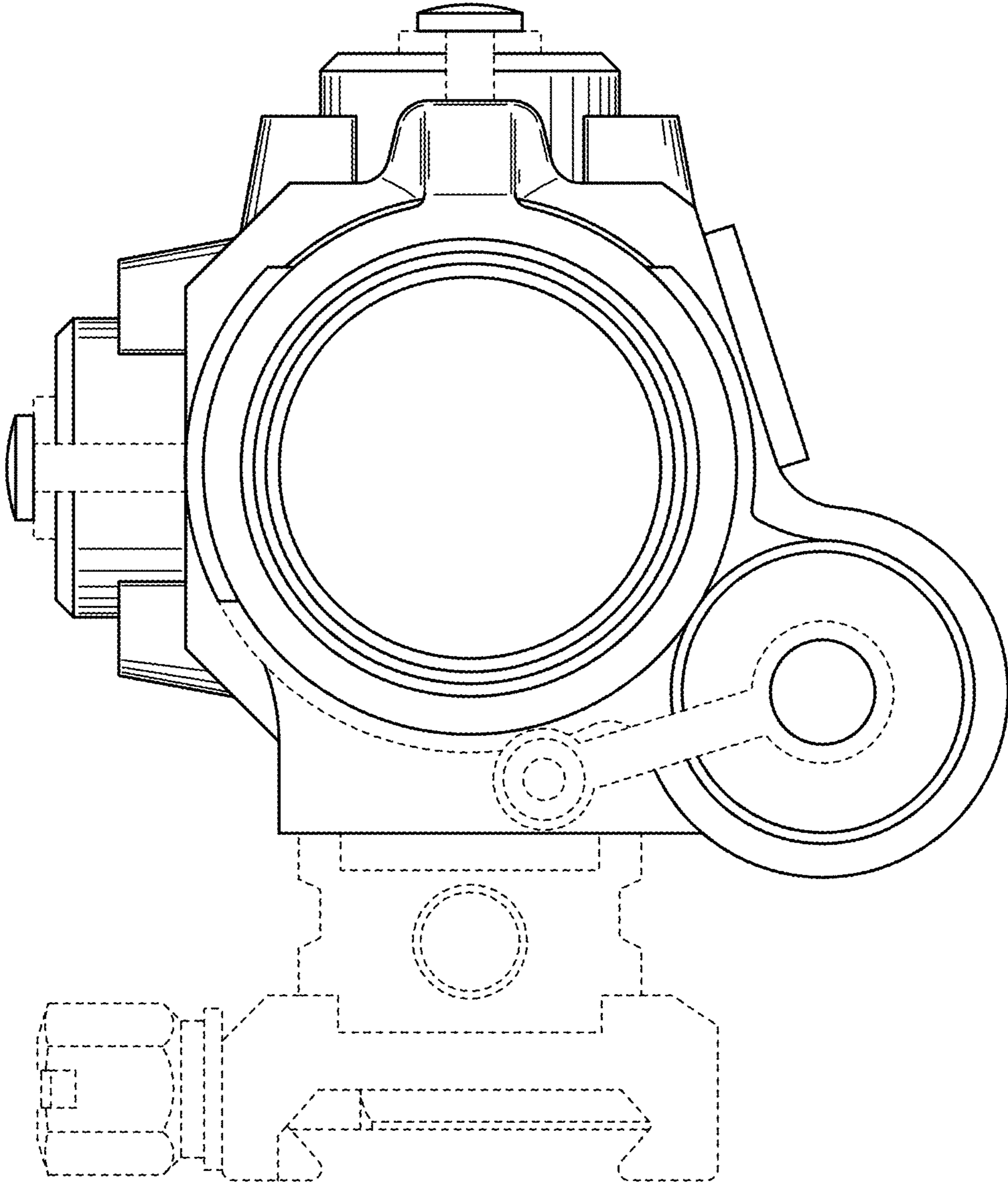


FIG. 5

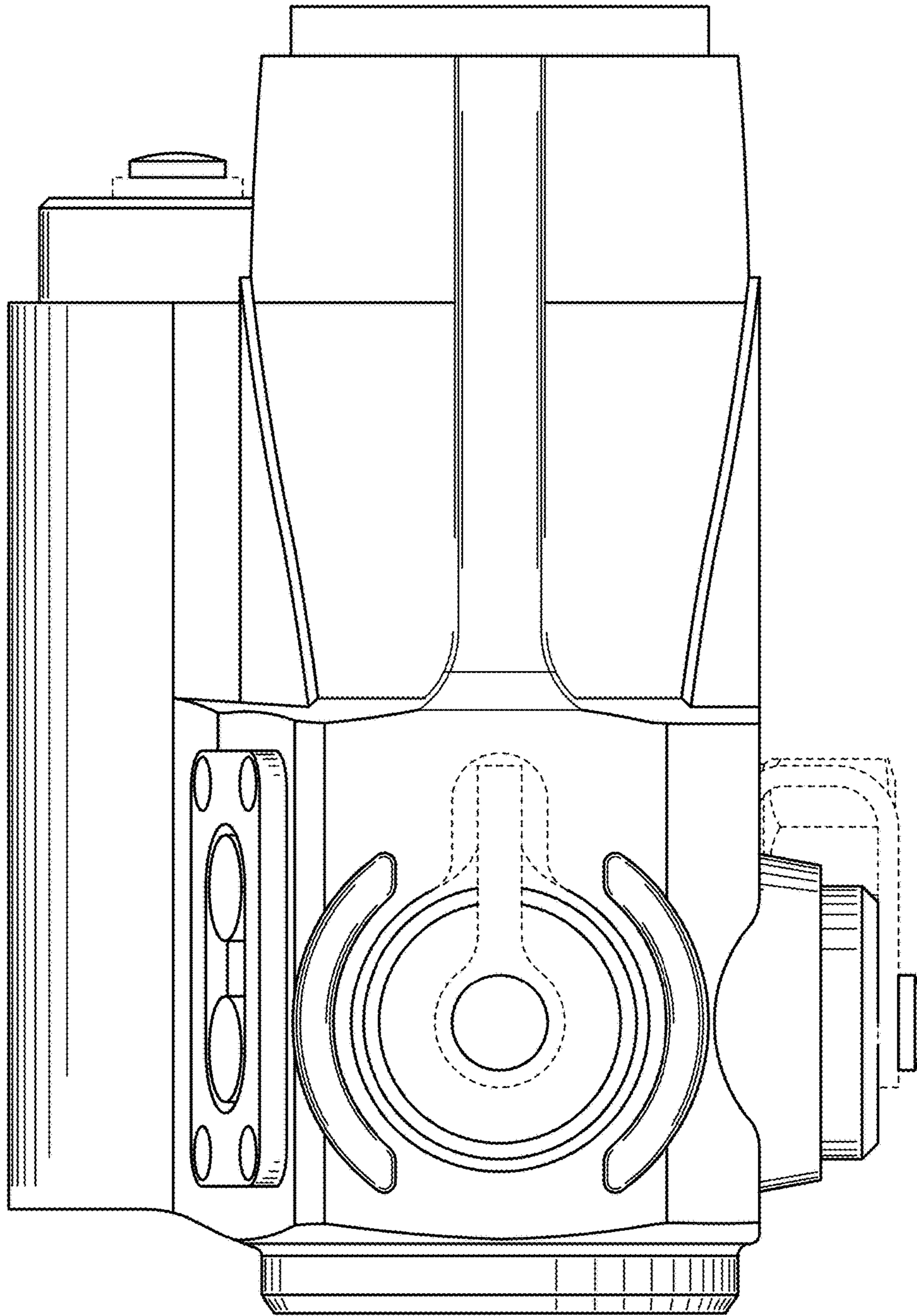


FIG. 6



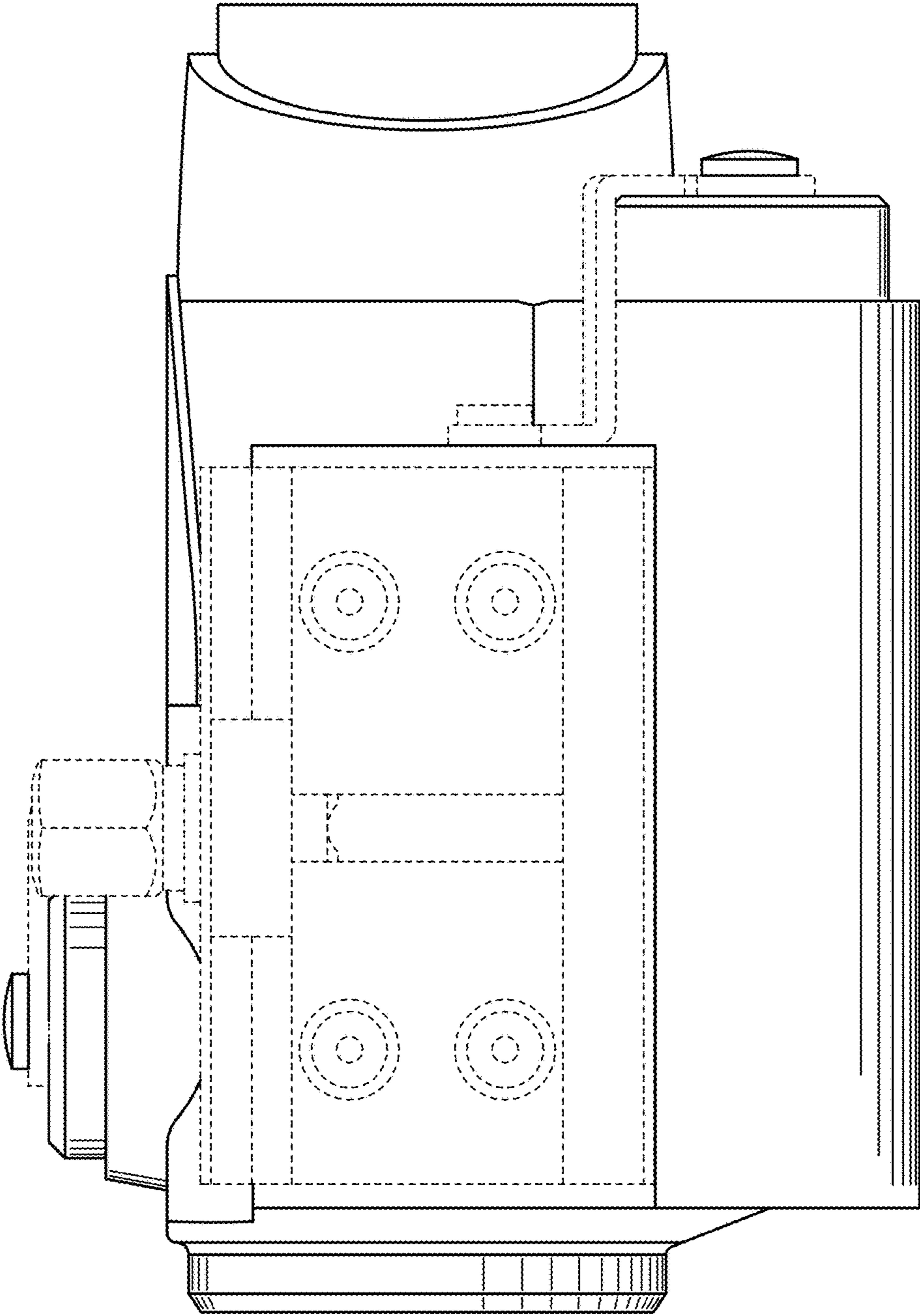


FIG. 7