



US00D787625S

(12) **United States Design Patent**
Parker et al.

(10) **Patent No.:** **US D787,625 S**

(45) **Date of Patent:** **** May 23, 2017**

(54) **CHEEK REST FOR A FIREARM CHARGING HANDLE**

(71) Applicant: **Falcon 37, Inc.**, Fayetteville, NC (US)

(72) Inventors: **Steven C. Parker**, Fayetteville, NC (US); **Allen Wendell Moore**, Cary, NC (US); **Samuel Clay Felts, Jr.**, Cary, NC (US); **Ryan Scott Bishop**, Cary, NC (US); **Nathan James Metty**, Cary, NC (US); **John David Szoka**, Fayetteville, NC (US); **Nicholas Steven Parker**, Jacksonville, NC (US); **Eric Justin Battles**, Stedman, NC (US)

(73) Assignee: **Falcon 37, Inc.**, Fayetteville, NC (US)

(**) Term: **15 Years**

(21) Appl. No.: **29/555,147**

(22) Filed: **Feb. 18, 2016**

(51) **LOC (10) Cl.** **22-01**

(52) **U.S. Cl.**
USPC **D22/108**

(58) **Field of Classification Search**
USPC D22/108
See application file for complete search history.

(56) **References Cited**

U.S. PATENT DOCUMENTS

- 1,032,628 A * 7/1912 Sherman F41C 23/08
42/73
- 4,536,982 A * 8/1985 Bredbury F41C 23/16
42/71.01
- D704,294 S * 5/2014 Jarboe D22/108
- 8,763,296 B1 * 7/2014 Chvala F41C 23/14
42/73
- 8,887,612 B2 11/2014 Bayly

- D722,669 S * 2/2015 Keller D22/108
- D742,470 S * 11/2015 Battaglia D22/108
- D755,329 S * 5/2016 Kielsmeier D22/108
- 2003/0074822 A1 * 4/2003 Faifer F41C 23/16
42/71.01

(Continued)

OTHER PUBLICATIONS

HABUtm Mod 1 Advanced Engagement Charging Handle, May 13, 2016, [online], [site visited Dec. 19, 2016]. Retrieved from <url:https://www.youtube.com/watch?v=QwGEVeUwjmw>.*

Primary Examiner — Jeffrey D Asch

Assistant Examiner — Tracey J Bell

(74) *Attorney, Agent, or Firm* — NK Patent Law, PLLC

(57) **CLAIM**

We claim the ornamental design for the cheek rest for a firearm charging handle, as shown and described.

DESCRIPTION

FIG. 1 is a plan view of the top of a cheek rest for a firearm charging handle;

FIG. 2 is an elevation view of the right side of the cheek rest for a firearm charging handle of FIG. 1, the left side elevation view of which is a mirror image of the right side; FIG. 3 is a perspective view of the top, right side, and forward end of the cheek rest for a firearm charging handle of FIG. 1;

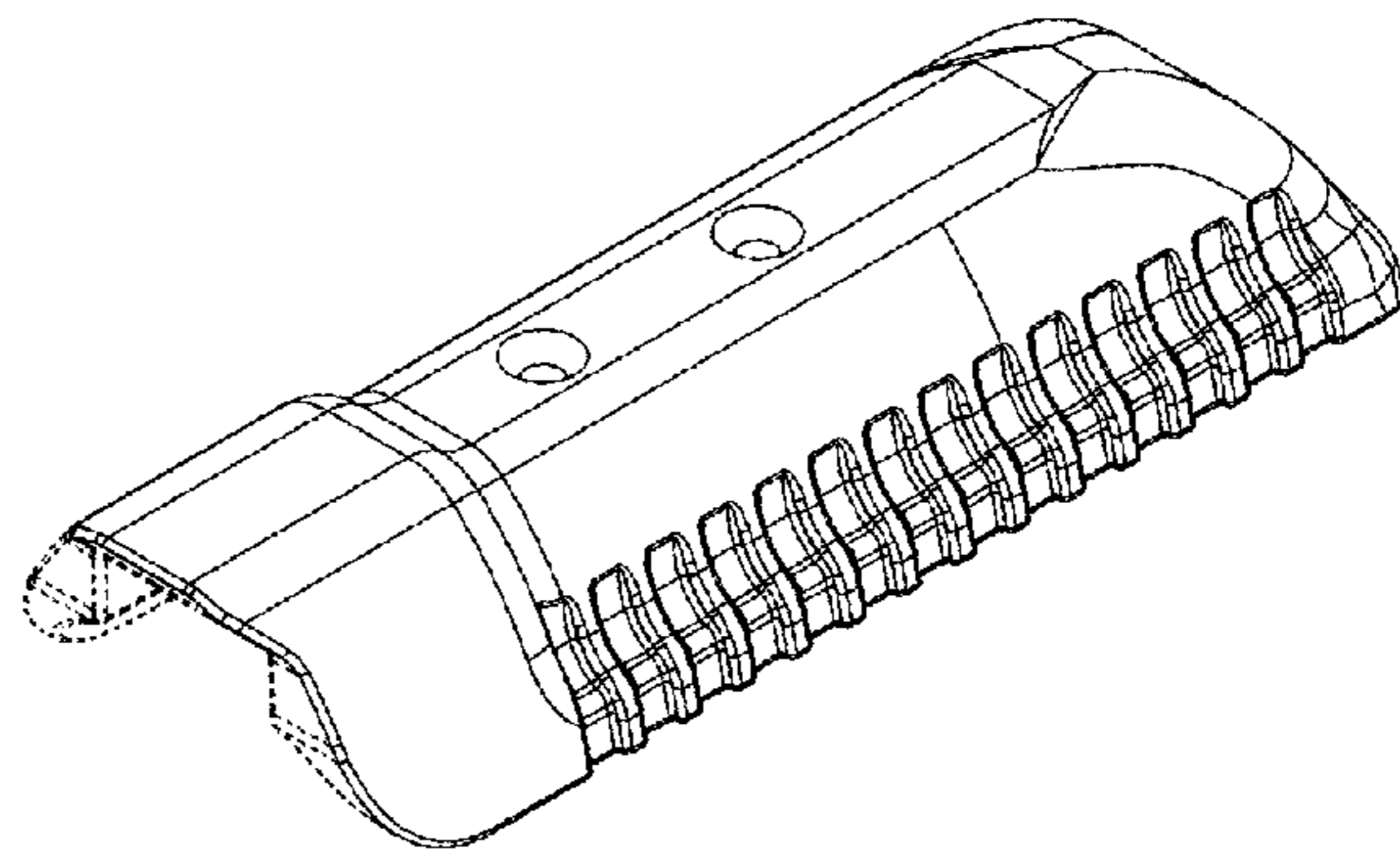
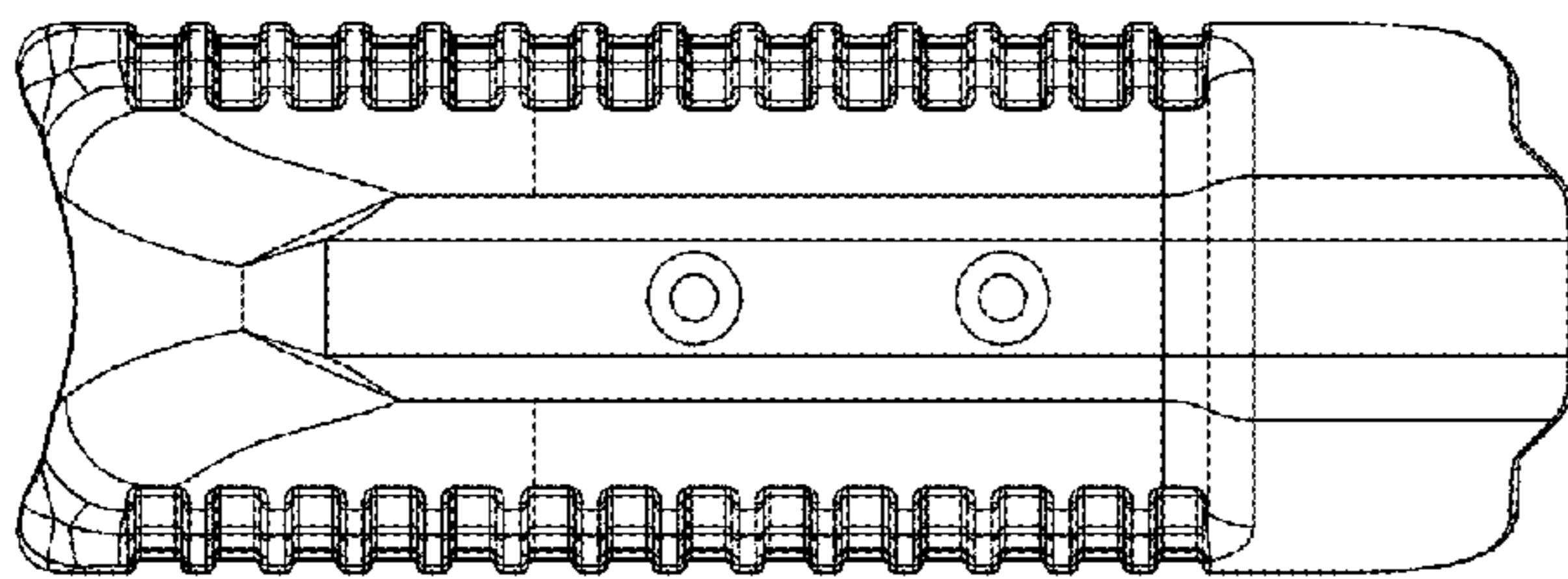
FIG. 4 is a perspective view of the top, left side, and forward end of the cheek rest for a firearm charging handle of FIG. 1;

FIG. 5 is an elevation view of the rearward end of the cheek rest for a firearm charging handle of FIG. 1; and,

FIG. 6 is an elevation view of the forward end of the cheek rest for a firearm charging handle of FIG. 1.

Portions of the cheek rest for a firearm charging handle shown in broken lines form no part of the claimed design.

1 Claim, 4 Drawing Sheets



(56)

References Cited

U.S. PATENT DOCUMENTS

2014/0259848 A1* 9/2014 Chvala F41C 23/14
42/73
2016/0216060 A1* 7/2016 Forslund F41C 23/14
2016/0363415 A1* 12/2016 Kielsmeier F41C 23/02

* cited by examiner

FIG. 1

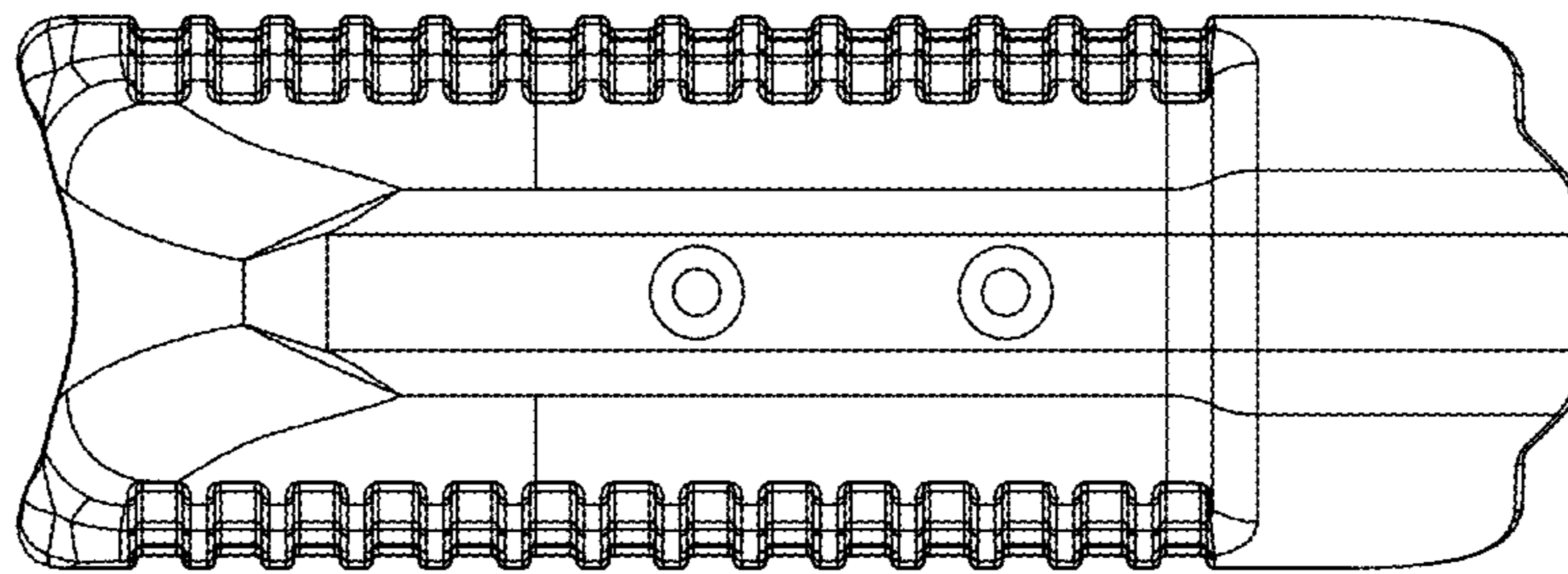
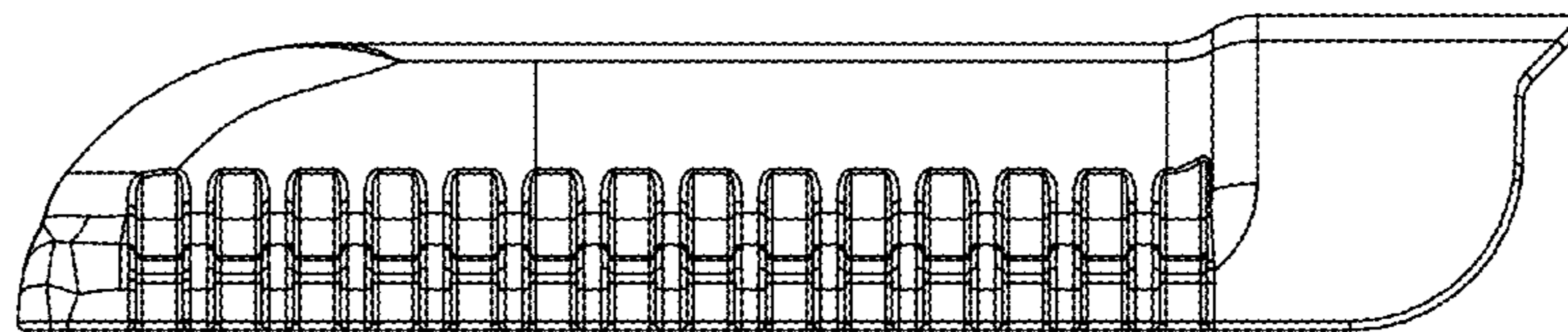


FIG. 2



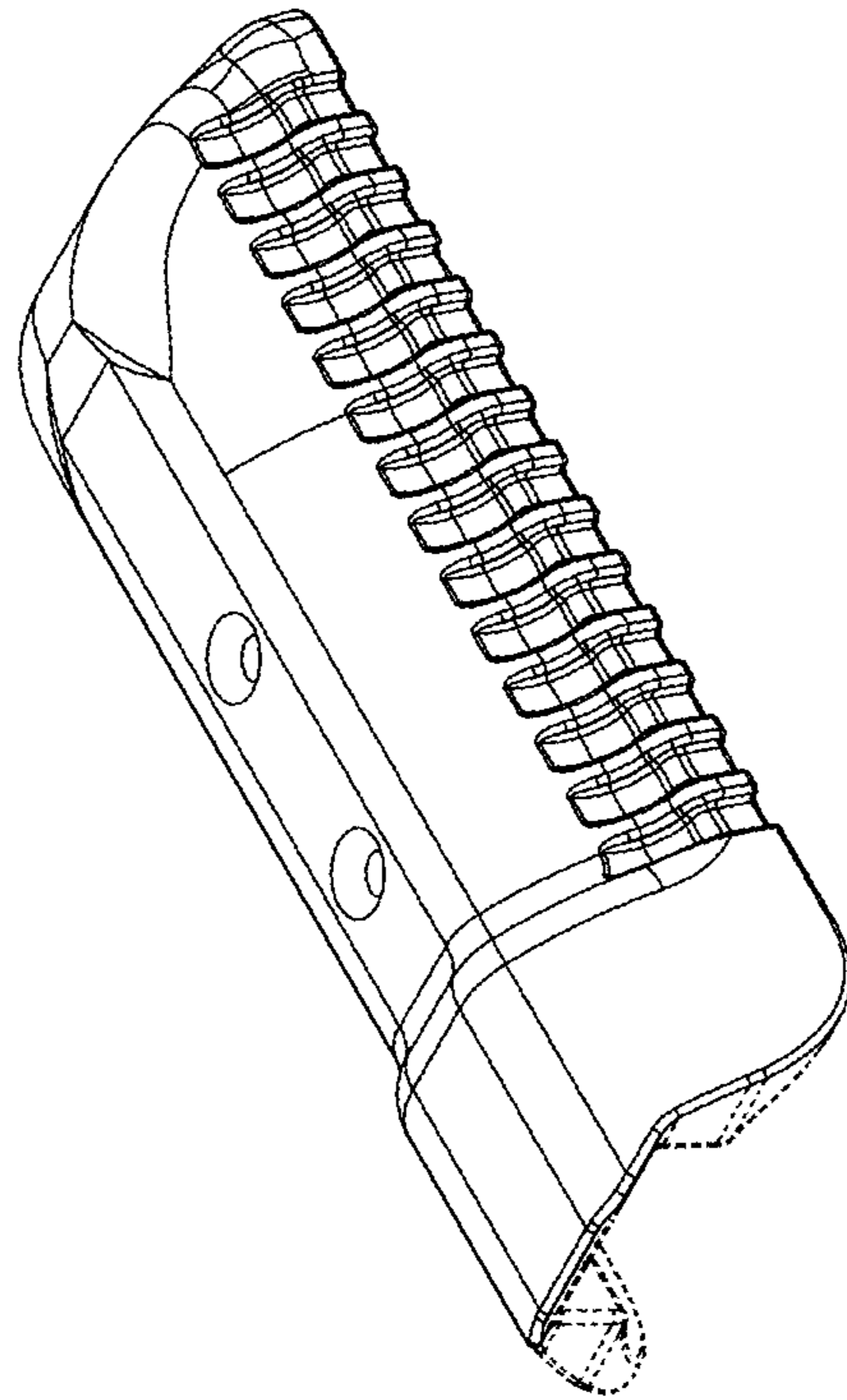


FIG. 4

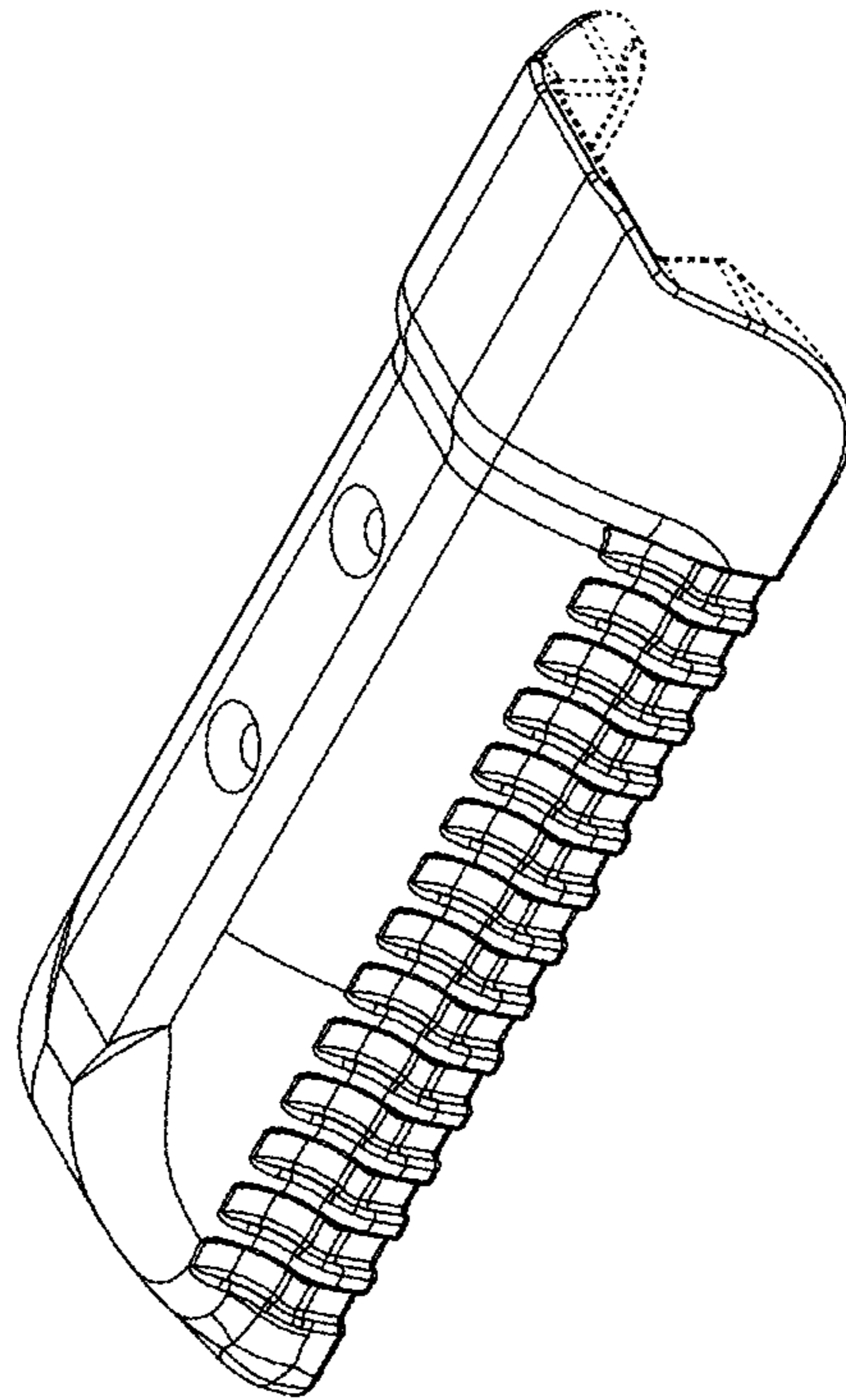


FIG. 3

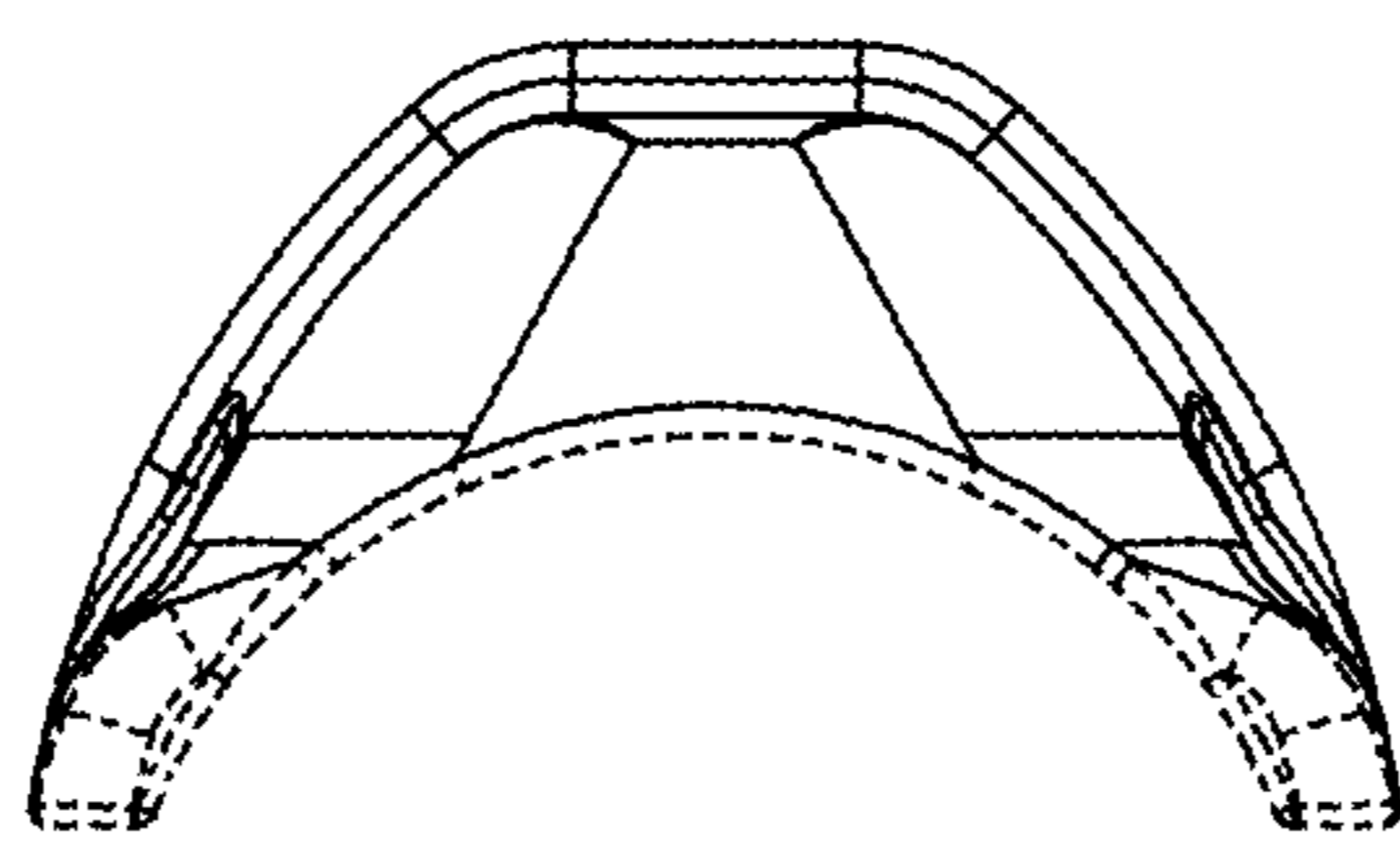


FIG. 5

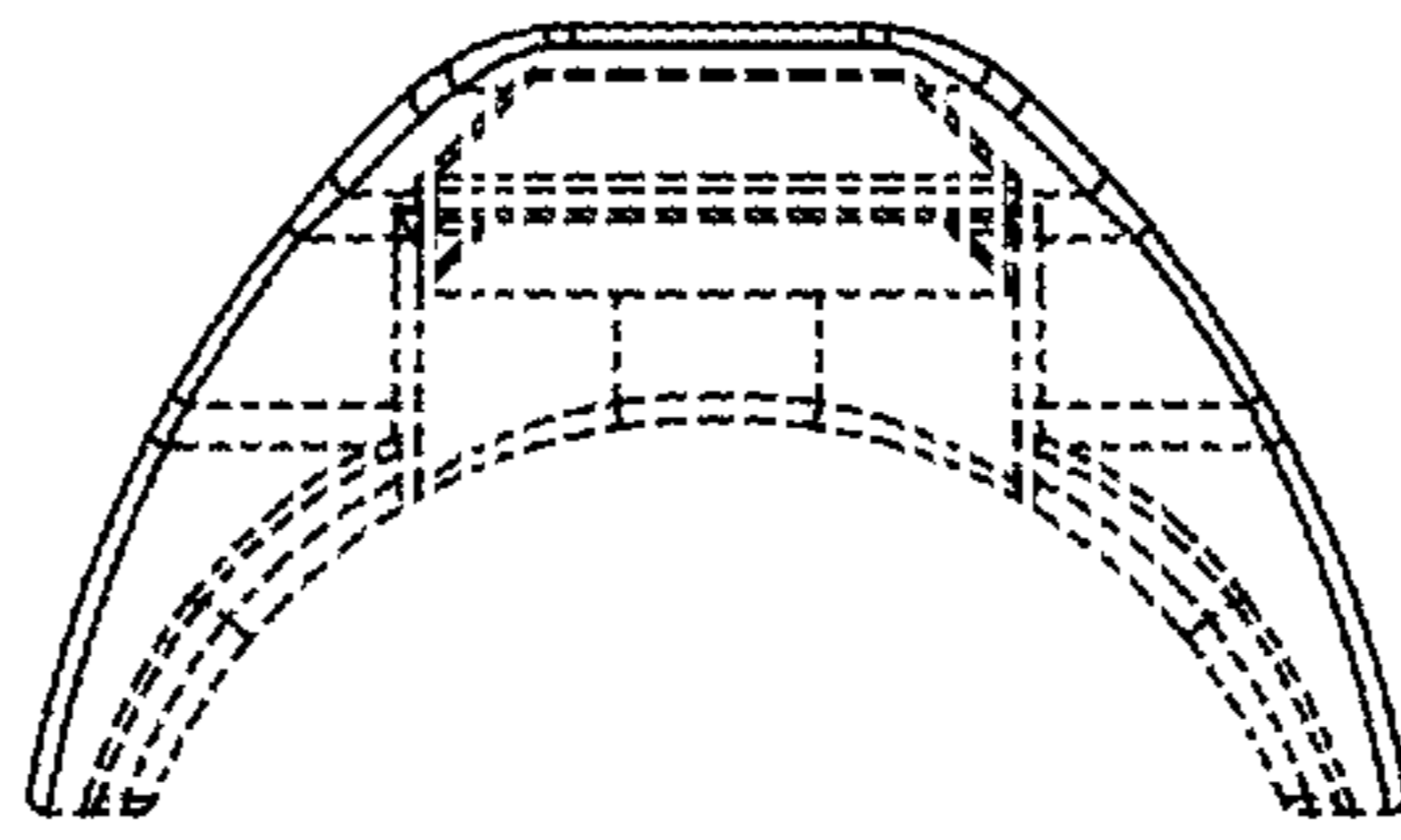


FIG. 6