



US00D787623S

(12) **United States Design Patent**
Sapio et al.

(10) **Patent No.:** **US D787,623 S**
(45) **Date of Patent:** **** May 23, 2017**

- (54) **CRANE FOR A REVOLVER**
- (71) Applicant: **Kimber IP, LLC**, Yonkers, NY (US)
- (72) Inventors: **Daniel Edward Sapio**, Mount Vernon, NY (US); **Ronald Richard Dudzic, Jr.**, Tarrytown, NY (US); **Lucio DiTrollo**, Mineola, NY (US); **Lee Griswold**, Bethel, CT (US)
- (73) Assignee: **Kimber IP, LLC**, Yonkers, NY (US)
- (**) Term: **15 Years**
- (21) Appl. No.: **29/551,870**

- (22) Filed: **Jan. 18, 2016**
- (51) **LOC (10) Cl.** **22-01**
- (52) **U.S. Cl.**
USPC **D22/108**
- (58) **Field of Classification Search**
USPC D22/104, 105, 108, 109; 89/111-113, 89/136; 359/399, 823, 744; 42/59, 64, 42/68, 71.02, 77, 104, 105, 111-113, 116, 42/120, 124-129, 133-148; 33/227, 229
CPC F41A 9/85; F41C 3/14; F41C 3/16; F41C 3/04; F41G 1/00; F41G 1/01; F41G 1/02; F41G 1/06; F41G 1/065; F41G 1/08; F41G 1/10; F41G 1/12; F41G 1/14; F41G 1/30; F41G 1/32; F41G 1/38; F41G 1/40; F41G 1/42; F41G 1/44; F41G 1/46; F41G 1/383; F41G 1/387; F41G 1/393; F41G 3/00; F41G 3/005; F41G 3/02; F41G 3/04; F41G 3/06; F41G 3/14; F41G 11/002; F41G 11/003; F41G 11/004; F41G 11/005
See application file for complete search history.

- (56) **References Cited**
U.S. PATENT DOCUMENTS
279,197 A * 6/1883 Smith F41C 3/16
42/62
678,274 A * 7/1901 Owen F41A 15/02
42/62

- 1,518,027 A * 12/1924 Vosmek F41C 3/14
42/62
- 2,329,273 A * 9/1943 Kelly F41C 3/14
42/59
- 2,382,676 A * 8/1945 Swartz F41C 3/14
42/62
- 2,830,397 A * 4/1958 Mulno F41C 3/14
42/62
- 3,150,459 A * 9/1964 Van Schoick F41A 9/85
42/89
- 3,197,907 A * 8/1965 Olson F41A 9/85
42/89
- 3,221,433 A * 12/1965 Lewis F41A 19/53
42/62
- 3,387,399 A * 6/1968 McClenahan F41C 3/14
42/62

(Continued)

OTHER PUBLICATIONS

Preview: The Kimber K6s Revolver, LuckyGunner.com, By Chris Baker, Jan. 20, 2016, [online], [site visited Jan. 6, 2017]. <URL: <http://www.luckygunner.com/lounge/kimber-k6s/>>.*

(Continued)

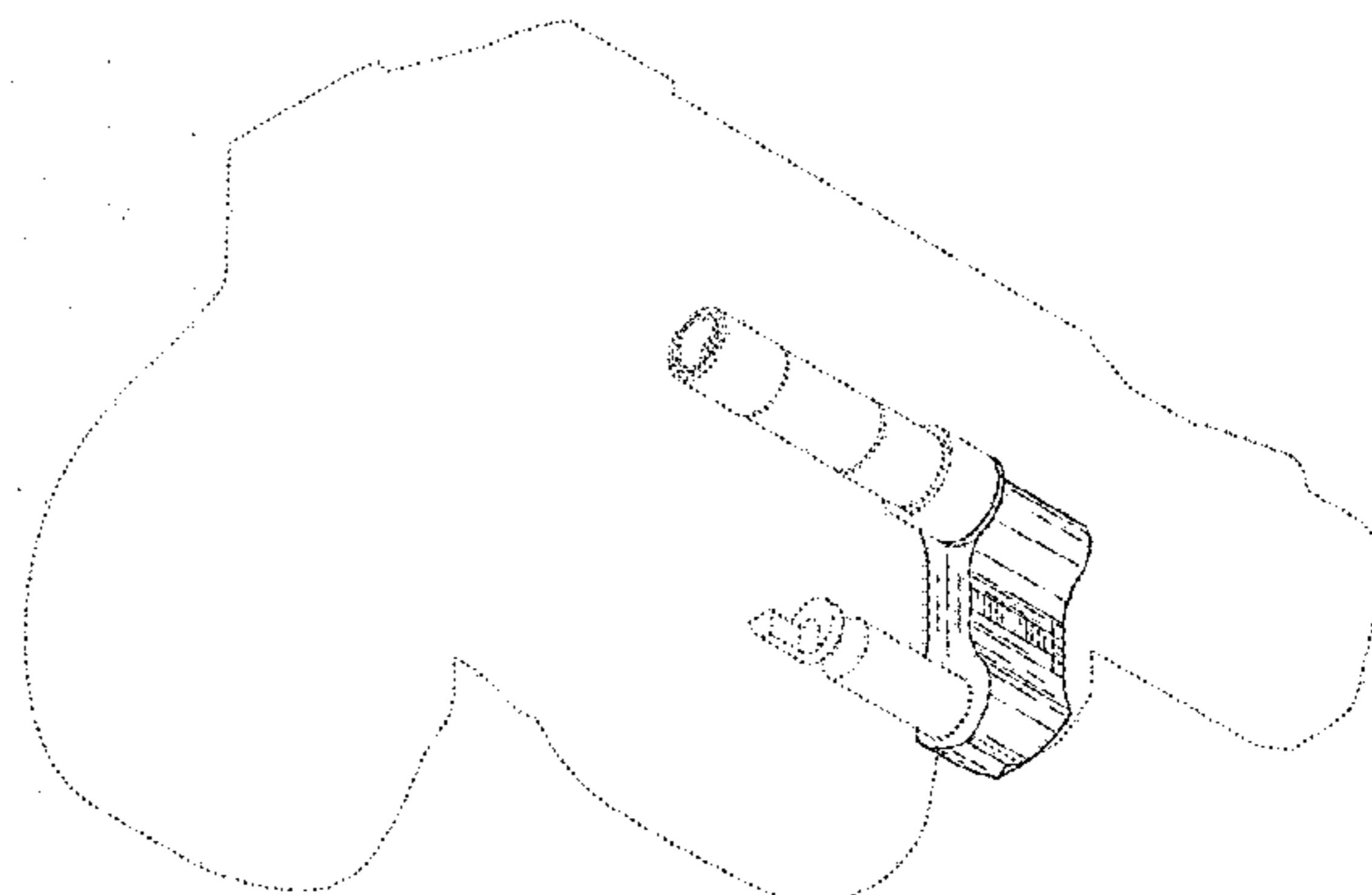
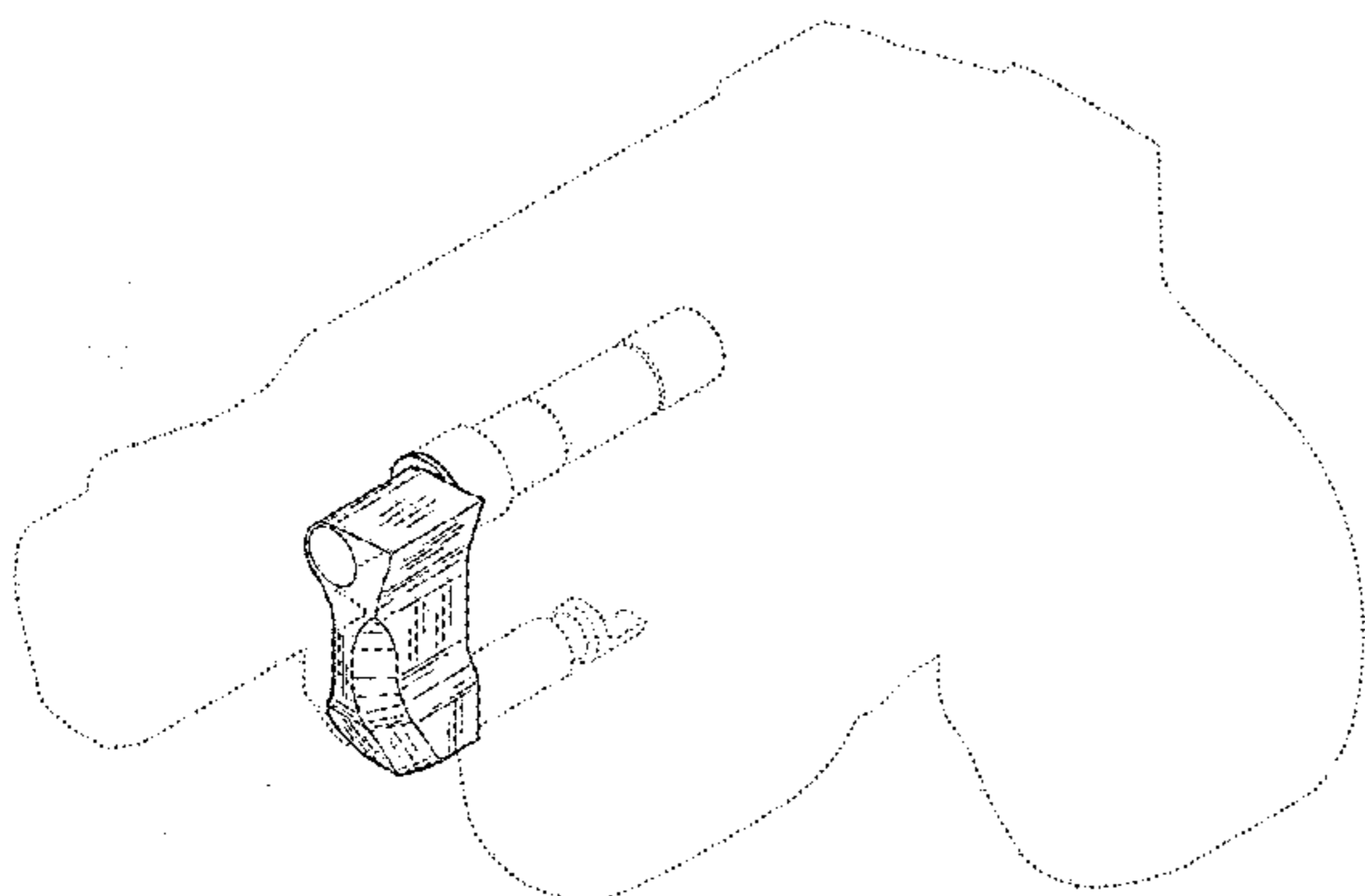
Primary Examiner — T. Chase Nelson
Assistant Examiner — Jonathan J Han
(74) *Attorney, Agent, or Firm* — Caesar Rivise, PC

(57) **CLAIM**
The ornamental design for a crane for a revolver, as shown and described.

DESCRIPTION

FIG. 1 is a front, top, left side perspective view of a crane for a revolver showing our new design; FIG. 2 is a rear, bottom, right side perspective view thereof; FIG. 3 is a front, elevation view thereof; FIG. 4 is a rear elevation view thereof; FIG. 5 is a left side, elevation view thereof; FIG. 6 is a right side, elevation view thereof; FIG. 7 is a top, plan view thereof; and, FIG. 8 is bottom, plan view thereof. The broken lines in the figures are used to illustrate environment and unclaimed parts, in which the claimed design is embodied, and form no part of the claimed design.

1 Claim, 8 Drawing Sheets



(56)

References Cited

U.S. PATENT DOCUMENTS

RE26,534 E * 3/1969 Lewis F41A 19/53
42/62
3,683,536 A * 8/1972 Sefried, II F41C 3/14
42/62
3,711,982 A * 1/1973 Baker F41C 3/14
42/59
3,813,804 A * 6/1974 Ruger F41C 3/14
42/59
3,918,189 A * 11/1975 Hartog F41C 3/14
42/65
4,206,560 A * 6/1980 Sefried, II F41A 15/02
42/68
4,344,245 A * 8/1982 Miller F41C 27/00
42/106
4,483,088 A * 11/1984 Tussing F41A 17/00
42/1.05
4,541,193 A * 9/1985 Flippin F41A 15/02
42/68
4,702,030 A * 10/1987 Schreiber F41C 3/14
42/1.02
4,897,950 A * 2/1990 Lechelle F41C 3/14
42/62
4,908,969 A * 3/1990 Lechelle F41C 3/14
42/62
4,934,081 A * 6/1990 Mooney F41C 3/14
267/179
D372,848 S * 8/1996 Bechtel D8/21
2016/0282081 A1 * 9/2016 Lawing F41A 9/85

OTHER PUBLICATIONS

New From Kimber: K6s .357 Revolver and MICRO 9mm, TheTruthAboutGuns.com, Jeremy s., Jan. 18, 2016, [online], [site visited Jan. 6, 2017]. <URL: <https://www.thetruthaboutguns.com/>

2016/01/jeremy-s/new-from-kimber-k6s-357-revolver-and-micro-9mm/>.*

A Revolver from Kimber? Shot Show 2016, GunsAmerica.com, by Jon Hodoway on Jan. 18, 2016, [online], [site visited Jan. 6, 2017]. <URL: <https://www.gunsamerica.com/blog/a-revolver-from-kimber-shot-show-2016/>>.*

Introducing the Kimber K6s!, YouTube.com, Kimberamerica, Published on Jan 22, 2016, [online], [site visited Jan. 6, 2017]. <URL: <https://www.youtube.com/watch?v=RZNhWvjqJ6M>>.*

Kimber K6 revolver, 45talk.com, Posted on Apr. 12, 2016 by Mark Calzaretta, [online], [site visited Jan. 6, 2017]. <URL: <http://45talk.com/?p=637>>.*

Charter 72342 Target Pathfinder Stainless .22Mag 4.2-inch 6rd, GrabaGun.com, [online], [site visited Jan. 6, 2017]. <URL: <http://grabagun.com/charter-arms-72342-target-pathfinder-rver.html>>.*

6 Six-Shot .357 Magnum Revolvers For Competition Shooting, PersonalDefenseWorld.com, By William Bell on Jun. 12, 2015, [online], [site visited Jan. 6, 2017]. <URL: <http://www.personaldefenseworld.com/2015/06/6-six-shot-357-magnum-revolvers-for-competition-shooting/#swmodel686ssr>>.*

A Few Random Thoughts About the 9mm Charter Revolver, DownRange.tv, Aug. 3, 2012, By: Michael Bane, [online], [site visited Jan. 6, 2017], <URL: <http://www.downrange.tv/blog/a-few-random-thoughts-about-the-9mm-charter-revolver/15662/>>.*

Smith & Wesson Model 640, https://en.wikipedia.org/wiki/Smith_%26_Wesson_Model_640, 1990.

Ruger GP100 Match Champion, <https://www.americanriflemans.org/articles/2014/10/17/ruger-gp100-match-champion/>, Oct. 17, 2014.

Chiappa Rhino 6-Shot .357 Magnum Revolver for Concealed Carry (CCW) Applications, <http://www.defensereview.com/chiappa-rhino-6-shot-357-magnum-revolver-for-concealed-carry-ccw-applications/>, Aug. 26, 2010.

Colt King Cobra Revolver 4 Inch Stainless, <http://reducerecoil.com/2014/12/colt-king-cobra-revolver-4inch-stainless/>, Dec. 12, 2014.

Colt King Cobra .357 Magnum Handgun—It's One Mean Snake, <http://www.groovyoutdoors.us/colt-king-cobra/>, Jan. 17, 2013.

* cited by examiner

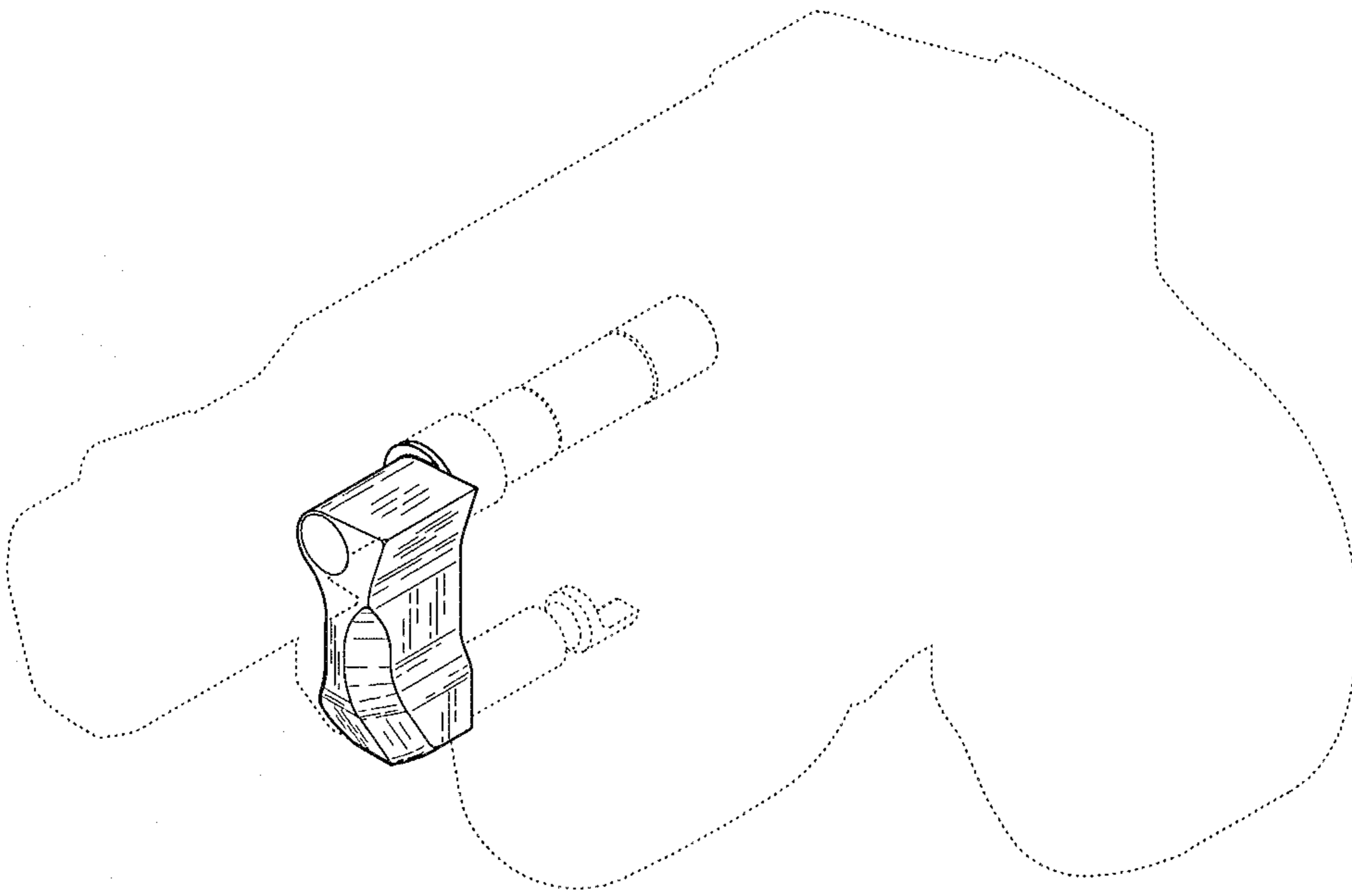


FIG. 1

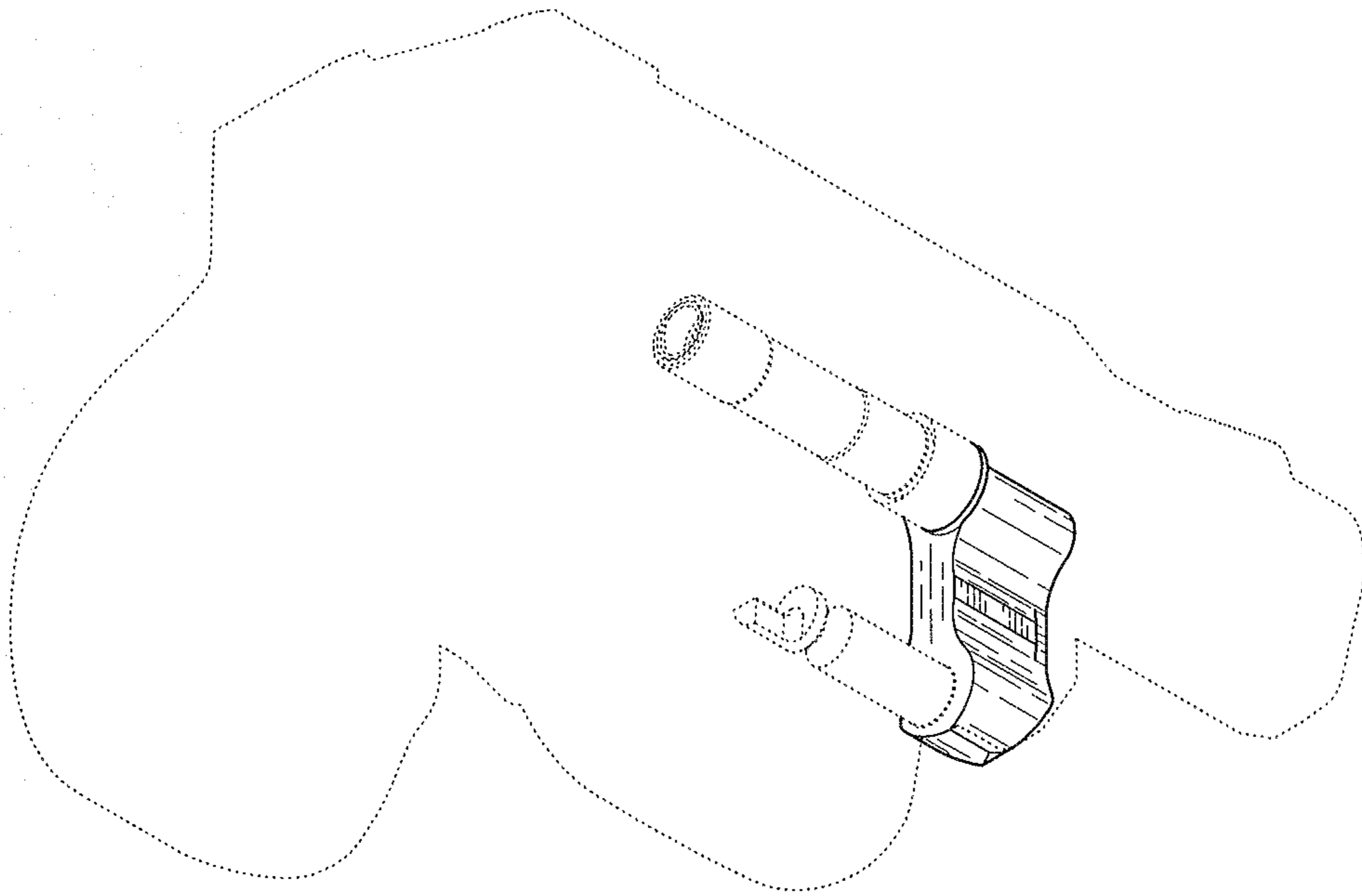


FIG. 2

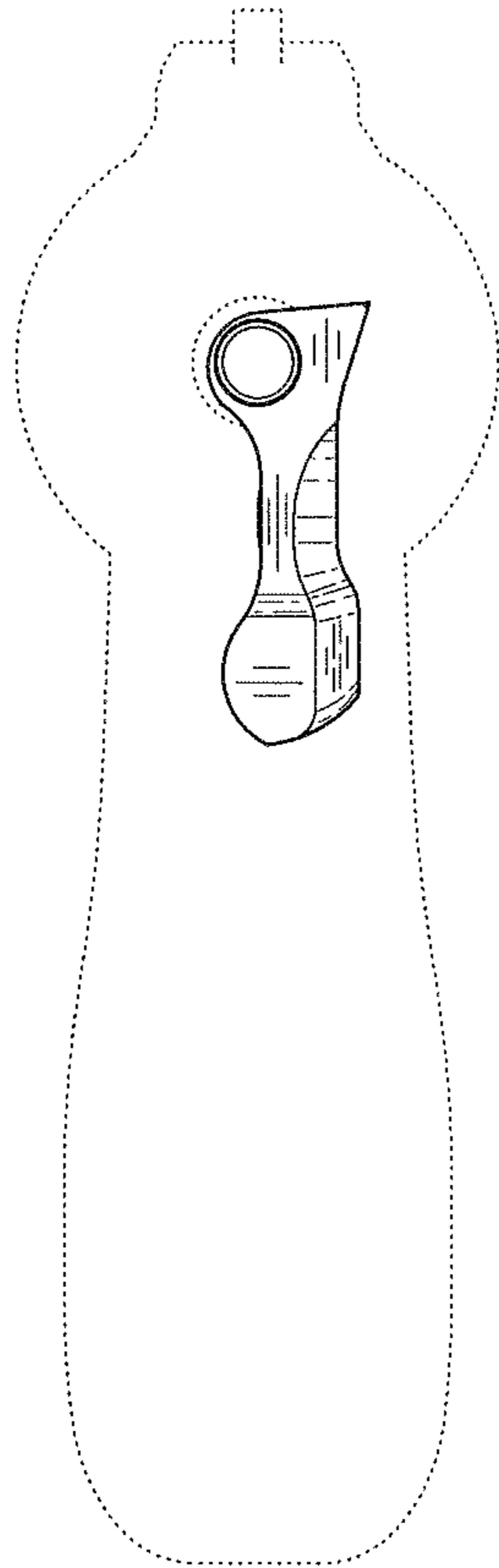


FIG. 3

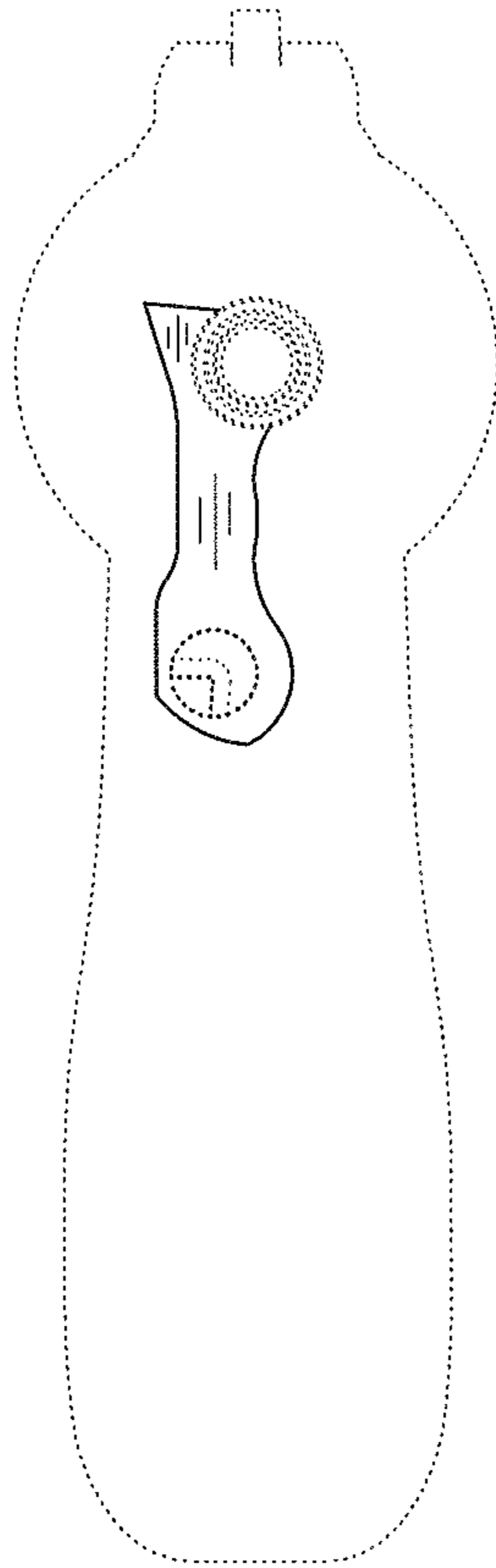


FIG. 4

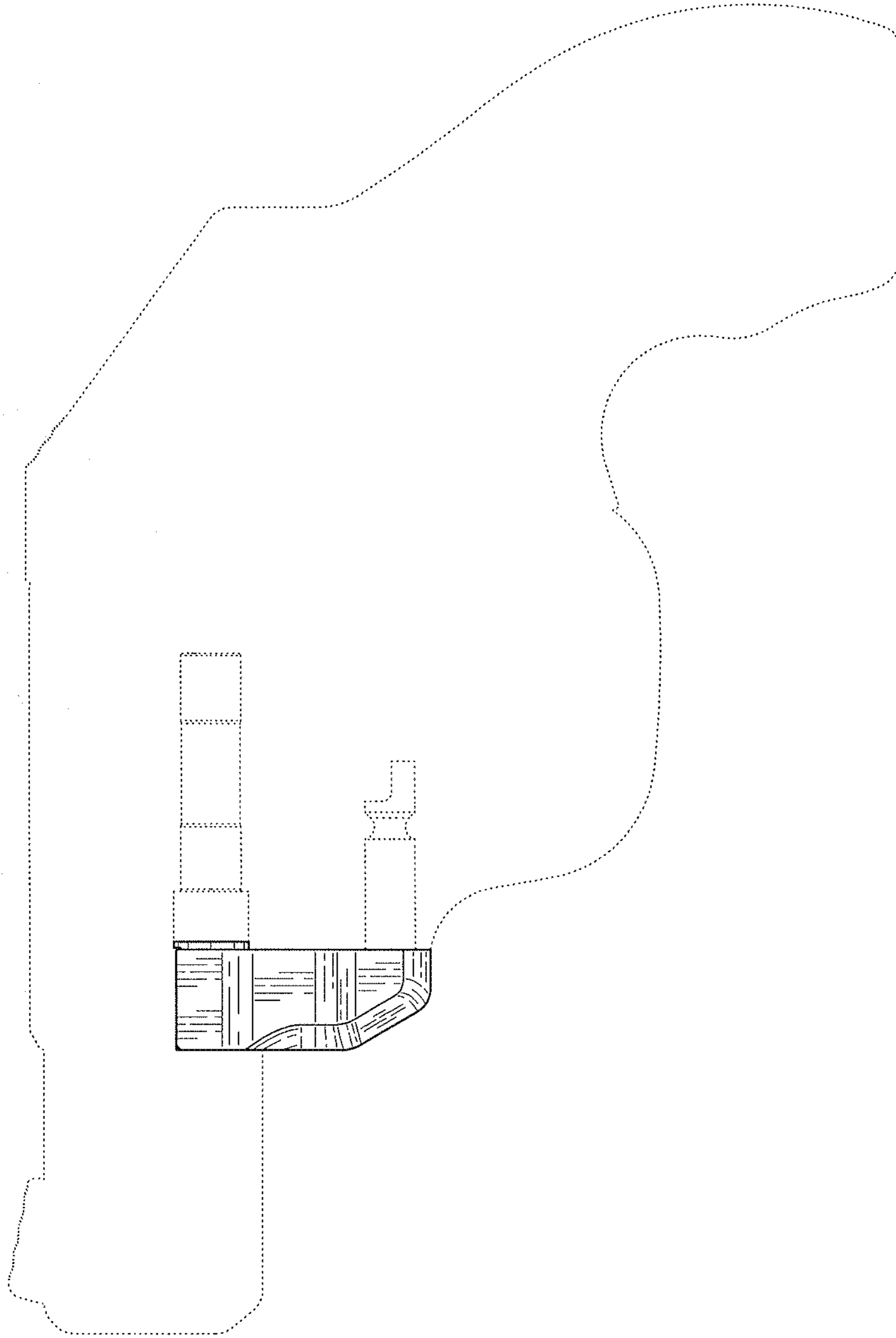


FIG. 5

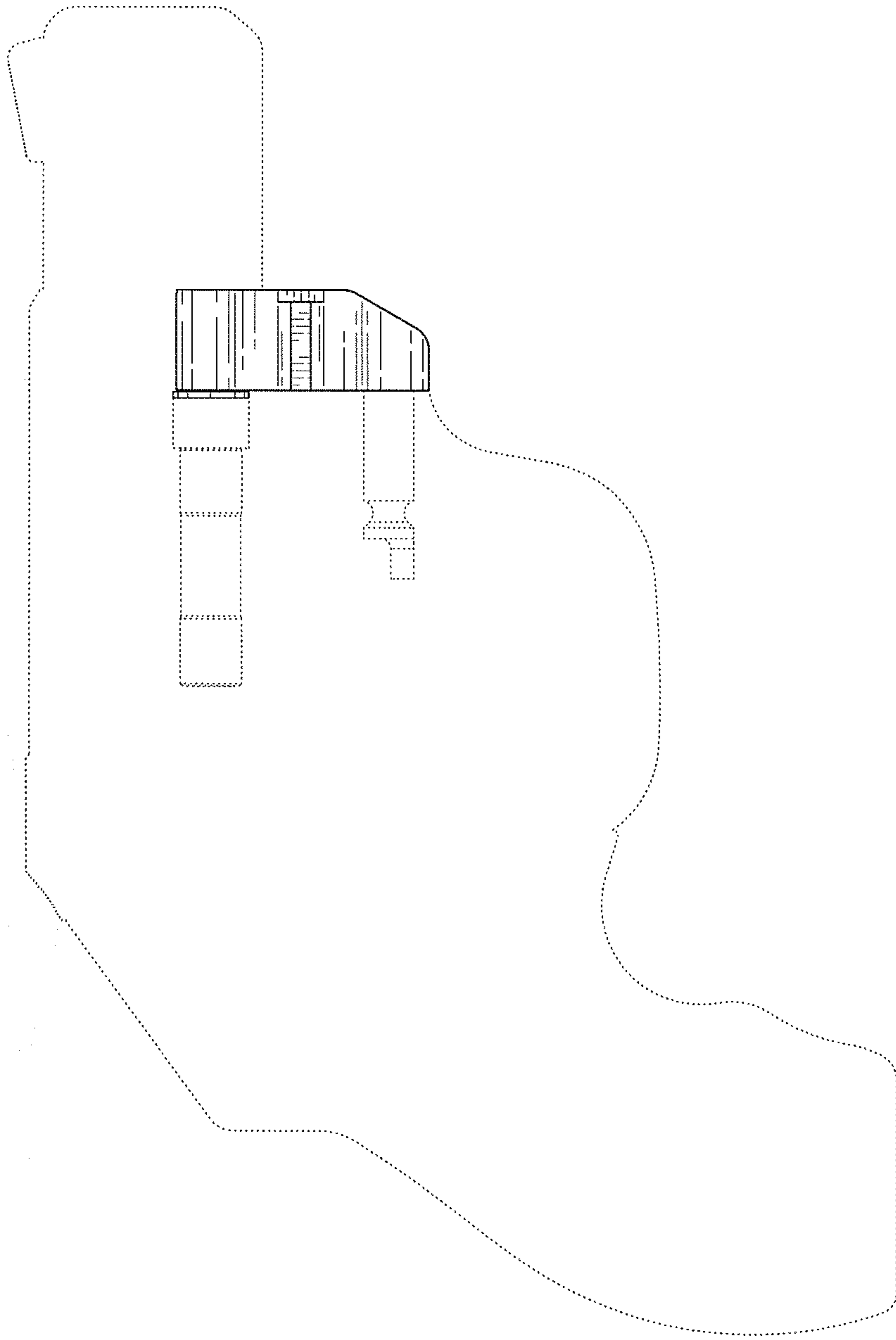


FIG. 6

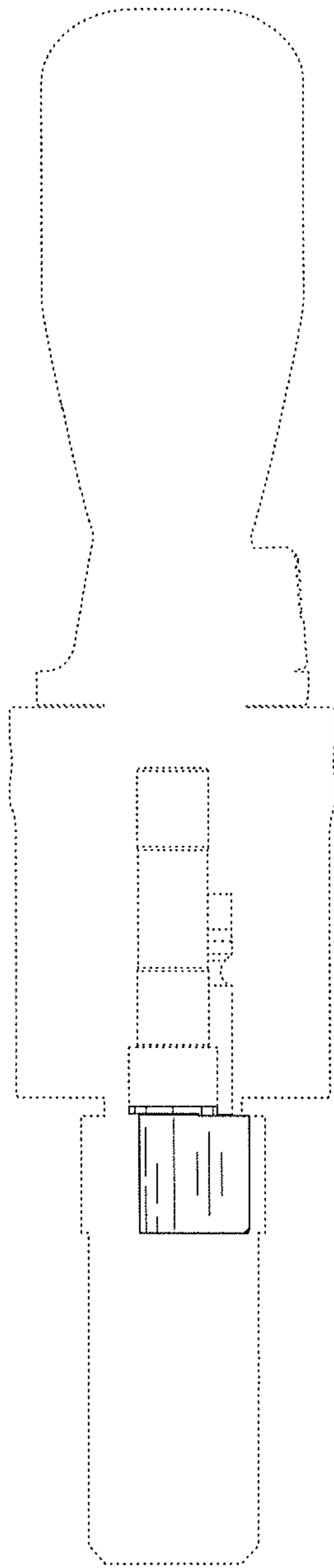


FIG. 7

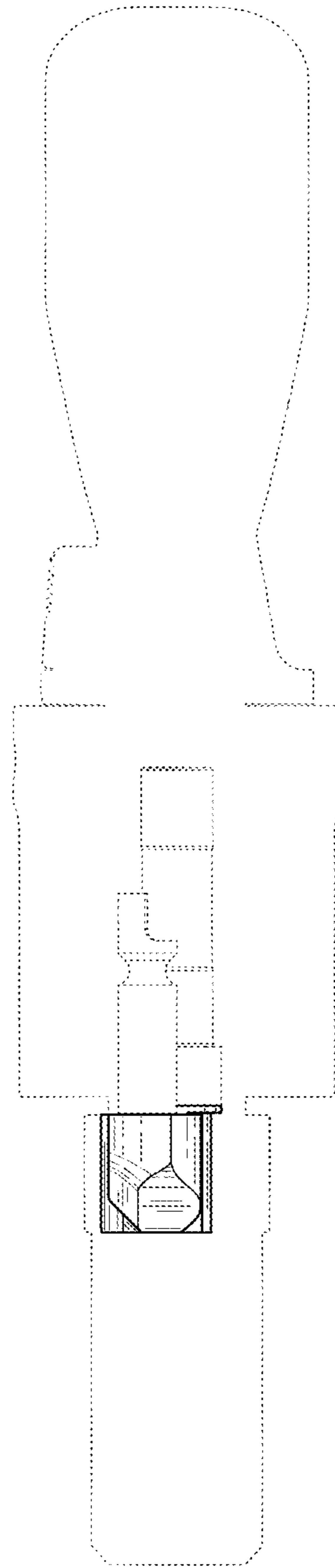


FIG. 8