



US00D787622S

(12) **United States Design Patent** (10) **Patent No.:** **US D787,622 S**
Geissele (45) **Date of Patent:** **** May 23, 2017**

- (54) **MUZZLE BRAKE**
- (71) Applicant: **WHG Properties, LLC**, North Wales, PA (US)
- (72) Inventor: **William H. Geissele**, Lower Gwynedd, PA (US)
- (73) Assignee: **WHG Properties, LLC**, North Wales, PA (US)
- (**) Term: **15 Years**
- (21) Appl. No.: **29/551,758**
- (22) Filed: **Jan. 15, 2016**

- 3,564,955 A 2/1971 Batchelder
- 3,641,848 A 2/1972 Franks
- 3,807,028 A 4/1974 DeLuca
- D274,973 S 8/1984 Waller
- 4,901,411 A 2/1990 Chestnut
- D329,788 S 9/1992 Andrew
- 5,307,713 A 5/1994 White
- D379,053 S 5/1997 Howard
- D417,372 S 12/1999 Cachot
- 6,098,503 A 8/2000 Hlinka
- D433,895 S 11/2000 Kindel
- 6,230,430 B1 5/2001 Gosselin
- D464,239 S 10/2002 Hamlin
- 6,505,532 B1 1/2003 Lawson
- 6,681,791 B1 1/2004 Chorney
- 6,698,315 B1 3/2004 Wright
- D491,427 S 6/2004 Weimer
- 6,745,648 B2 6/2004 Stier

(Continued)

Related U.S. Application Data

- (63) Continuation of application No. 14/221,512, filed on Mar. 21, 2014, which is a continuation-in-part of application No. 29/479,050, filed on Jan. 10, 2014, now Pat. No. Des. 718,103.
- (51) **LOC (10) Cl.** **22-01**
- (52) **U.S. Cl.**
USPC **D22/108**
- (58) **Field of Classification Search**
USPC D22/103, 108; D21/572-575
CPC F41A 21/34; F41A 21/325; F41A 21/32;
F41A 21/28
See application file for complete search history.

References Cited

U.S. PATENT DOCUMENTS

- 1,550,436 A 8/1925 Hall
- 1,571,580 A 2/1926 Fishburn
- 2,124,075 A * 7/1938 Moore F41A 21/325
89/14.1
- 3,258,278 A 6/1966 Miller, Jr.
- 3,277,569 A 10/1966 Verhoeven
- 3,354,757 A 11/1967 Grimm

OTHER PUBLICATIONS

AR15 barrels.com at <http://www.ar15barrels.com/data/barrel-nut-index.pdf> (Nov. 2011).

Primary Examiner — Michael A Pratt

(74) *Attorney, Agent, or Firm* — Merchant & Gould, P.C.

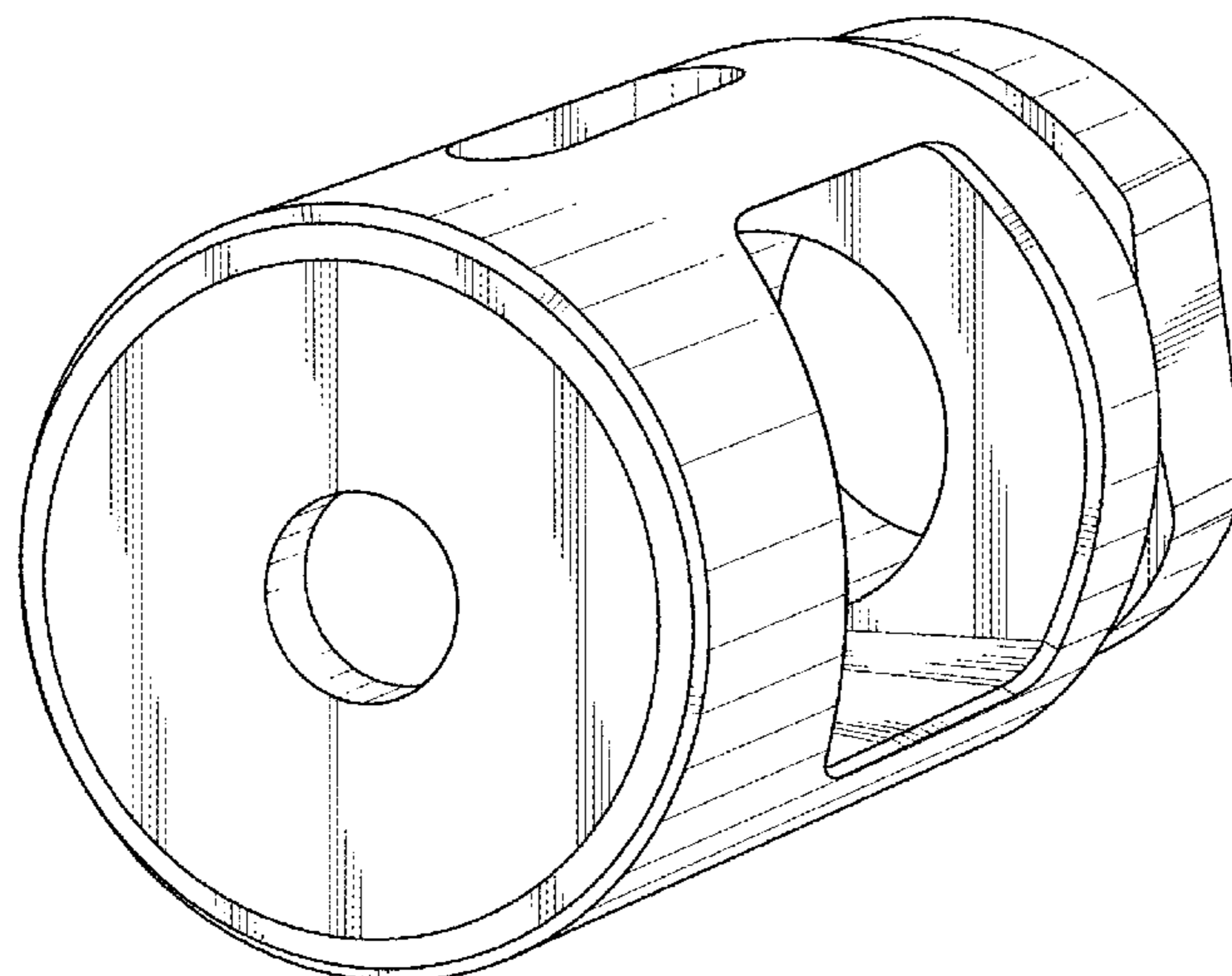
(57) **CLAIM**

The ornamental design for a muzzle brake, as shown and described.

DESCRIPTION

FIG. 1 is a top, front, left side perspective view of an embodiment of a muzzle brake in accordance with the present disclosure; and, FIG. 2 is a top, front, left side perspective view of the muzzle brake of FIG. 1, the muzzle brake being shown on an example firearm. The broken lines in the Figures are for illustrative purposes only and form no part of the claimed design.

1 Claim, 2 Drawing Sheets



(56)

References Cited

U.S. PATENT DOCUMENTS

6,745,649 B1	6/2004	Liao	8,931,198 B2	1/2015	Aalto
6,971,202 B2	12/2005	Bender	D725,221 S	3/2015	Geissele
7,140,275 B1	11/2006	Staples	D728,333 S	5/2015	Sui
7,174,667 B2	2/2007	Connal	9,234,717 B2	1/2016	Jarboe
D548,552 S	8/2007	Elkaim	D779,019 S *	2/2017	Arnedo Vera D22/108
7,290,466 B1	11/2007	Wadsley	2002/0020955 A1	2/2002	Hass
D564,316 S	3/2008	Elkaim	2004/0060399 A1	4/2004	Willis
D584,585 S	1/2009	Juelch et al.	2006/0162224 A1	7/2006	Connal
D601,393 S	10/2009	Cui	2007/0033851 A1	2/2007	Hochstrate et al.
D666,883 S	9/2012	Howard	2008/0029745 A1	2/2008	Chartier
D682,643 S	5/2013	Yang	2012/0073177 A1	3/2012	Laney
8,479,429 B2	7/2013	Barrett et al.	2012/0125162 A1	5/2012	Nguyen
D692,086 S *	10/2013	Nierenberg D22/108	2012/0291595 A1	11/2012	Hemesath
D703,502 S	4/2014	Cheng	2014/0026459 A1	1/2014	Yan
D711,491 S *	8/2014	Nierenberg D22/108	2014/0033590 A1	2/2014	Gomez
D718,103 S	11/2014	Geissele	2014/0075817 A1	3/2014	Gomez
8,887,655 B2	11/2014	Carlson	2014/0115938 A1	5/2014	Jarboe
D719,426 S	12/2014	Whitehead	2014/0345179 A1	11/2014	Adair
			2015/0198405 A1	7/2015	Keng
			2016/0054096 A1	2/2016	Dzwill
			2016/0061238 A1	3/2016	Livingstone

* cited by examiner

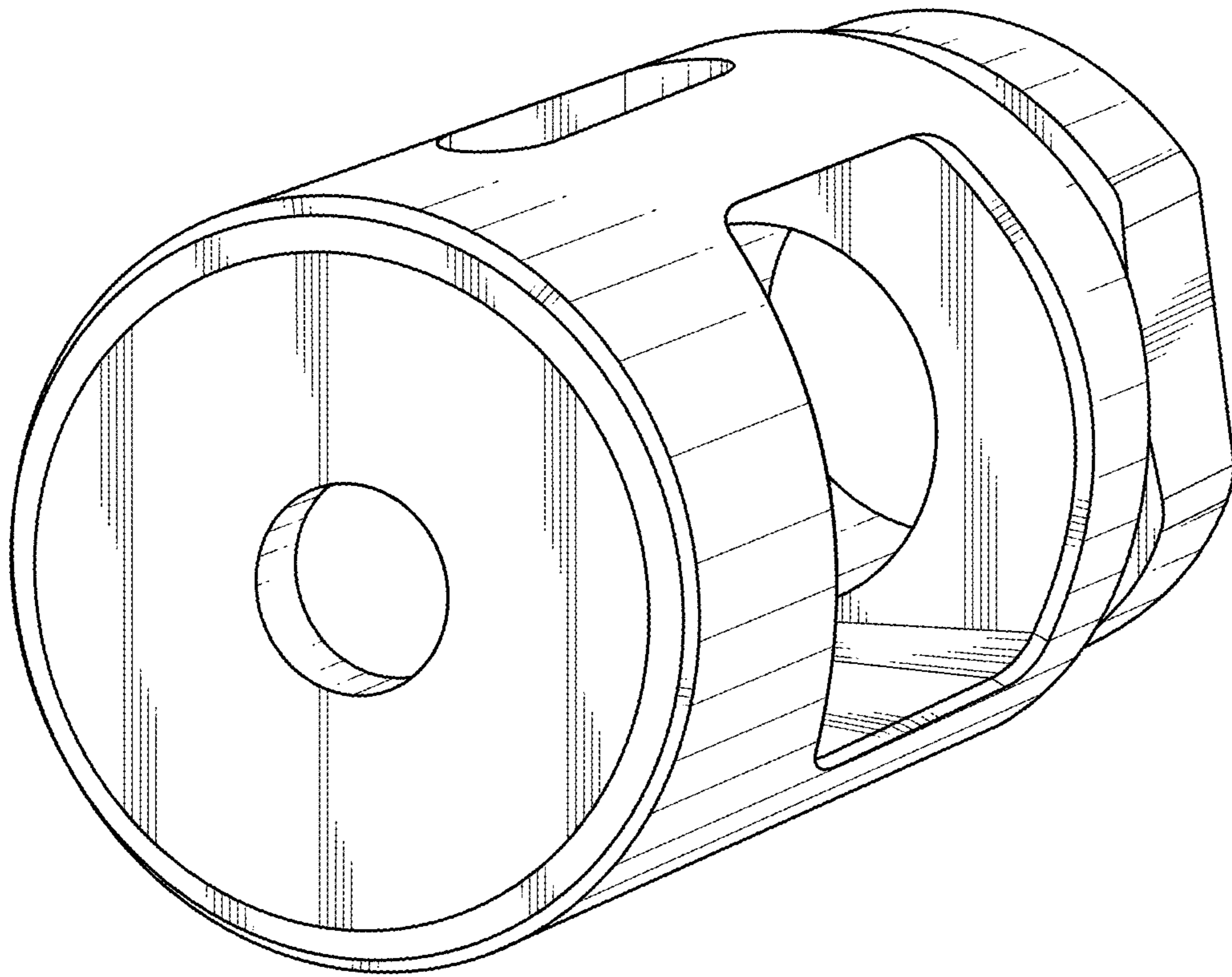


FIG. 1

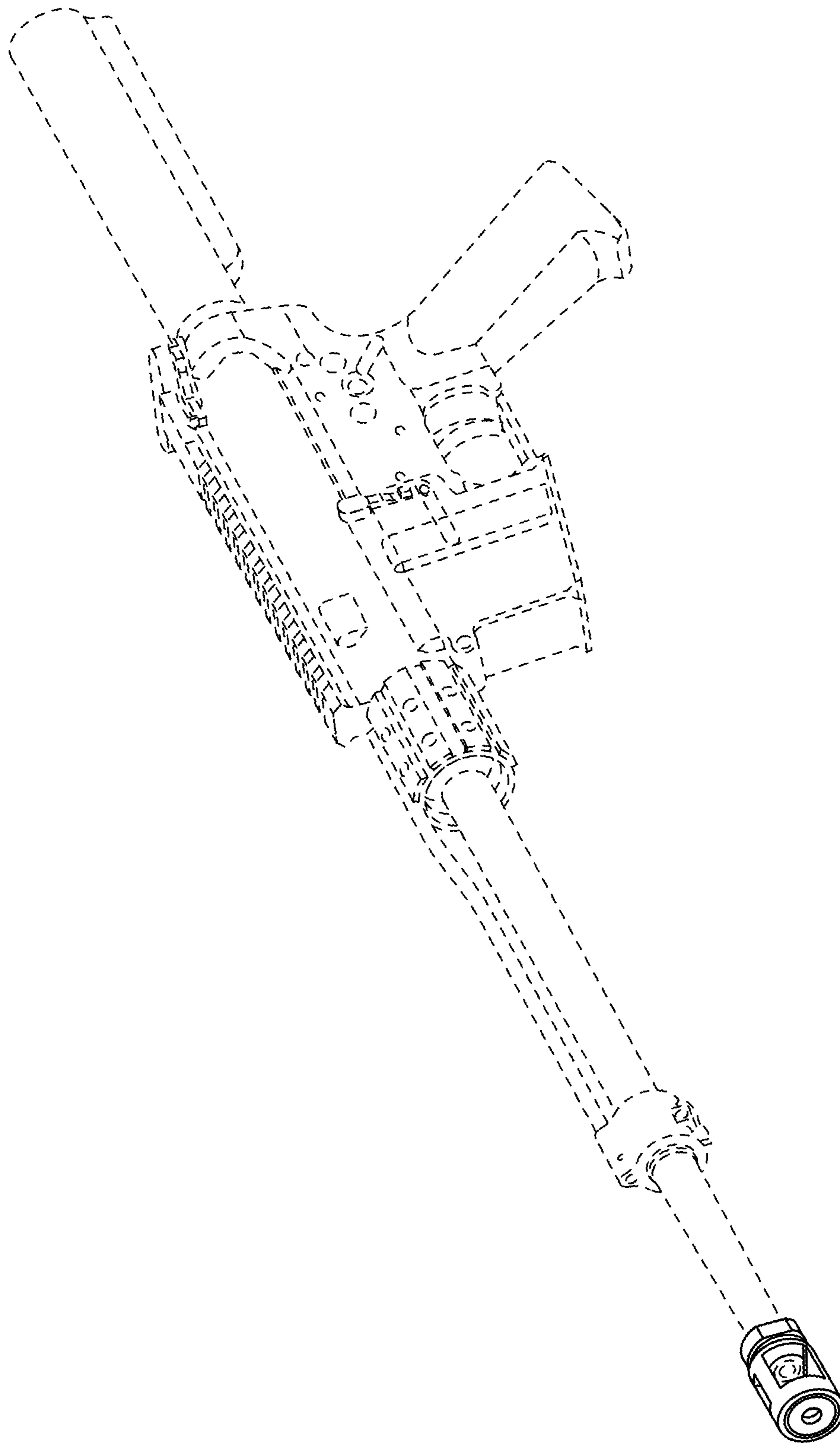


FIG. 2