



US00D787620S

(12) **United States Design Patent** (10) **Patent No.:** **US D787,620 S**  
**Slater** (45) **Date of Patent:** **\*\* May 23, 2017**

(54) **ADJUSTABLE CHEEK REST ASSEMBLY**

- (71) Applicant: **Rick Bradford Slater**, Hillsboro, OR (US)
- (72) Inventor: **Rick Bradford Slater**, Hillsboro, OR (US)
- (\*\*) Term: **15 Years**
- (21) Appl. No.: **29/534,681**
- (22) Filed: **Jul. 30, 2015**

**Related U.S. Application Data**

- (63) Continuation of application No. 14/220,907, filed on Mar. 20, 2014.
- (51) **LOC (10) Cl.** ..... **22-01**
- (52) **U.S. Cl.**  
USPC ..... **D22/108**
- (58) **Field of Classification Search**  
USPC ..... D3/222, 269, 327; D8/68; D22/100, D22/108, 199; 42/70.07, 70.11, 96, 100; 211/64  
CPC ..... F14C 23/10; F14C 23/14; F14C 23/16; F14C 23/18  
See application file for complete search history.

(56) **References Cited**

**U.S. PATENT DOCUMENTS**

D285,822 S *	9/1986	Davis	.....	D3/222
D392,364 S *	3/1998	Neal	.....	D22/100
6,264,079 B1 *	7/2001	Skaggs	.....	F41C 33/0236 224/193
D487,343 S *	3/2004	Neher	.....	D3/222
D668,046 S *	10/2012	Teichelman	.....	D3/269
D755,337 S *	5/2016	Williams	.....	D22/108
2014/0283428 A1 *	9/2014	Slater	.....	F41C 23/14 42/71.01

**OTHER PUBLICATIONS**

ArmslistMedia—YouTube, Armslist Review of the Bradley Cheekrest, Apr. 25, 2014, [site visited Jul. 15, 2016], Available on the Internet at URL: <https://www.youtube.com/watch?v=yit5sxU8T6k>.\*  
 Sniper Central, Hands-on Review:Bradley Adustable Cheek Rest, Wayback Machine date Jan. 5, 2015, [site visited Jul. 5, 2016], Available on the Internet at URL: <http://web.archive.org/web/20150105214007/http://www.snipercentral.com/bradley-adjustable-cheek-rest> Original article URL: <https://mcmillanusa.com/product/bradley-adjustable-cheekrest/>.\*  
 McMillan, Bradley Adjustable Cheekrest, publication date unknown, [site visited Jul. 5, 2016], Available on the Internet at URL: <https://mcmillanusa.com/product/bradley-adjustable-cheekrest/>.\*

\* cited by examiner

*Primary Examiner* — Susan Bennett Hattan  
*Assistant Examiner* — S. Bryan Reinholdt, Jr.

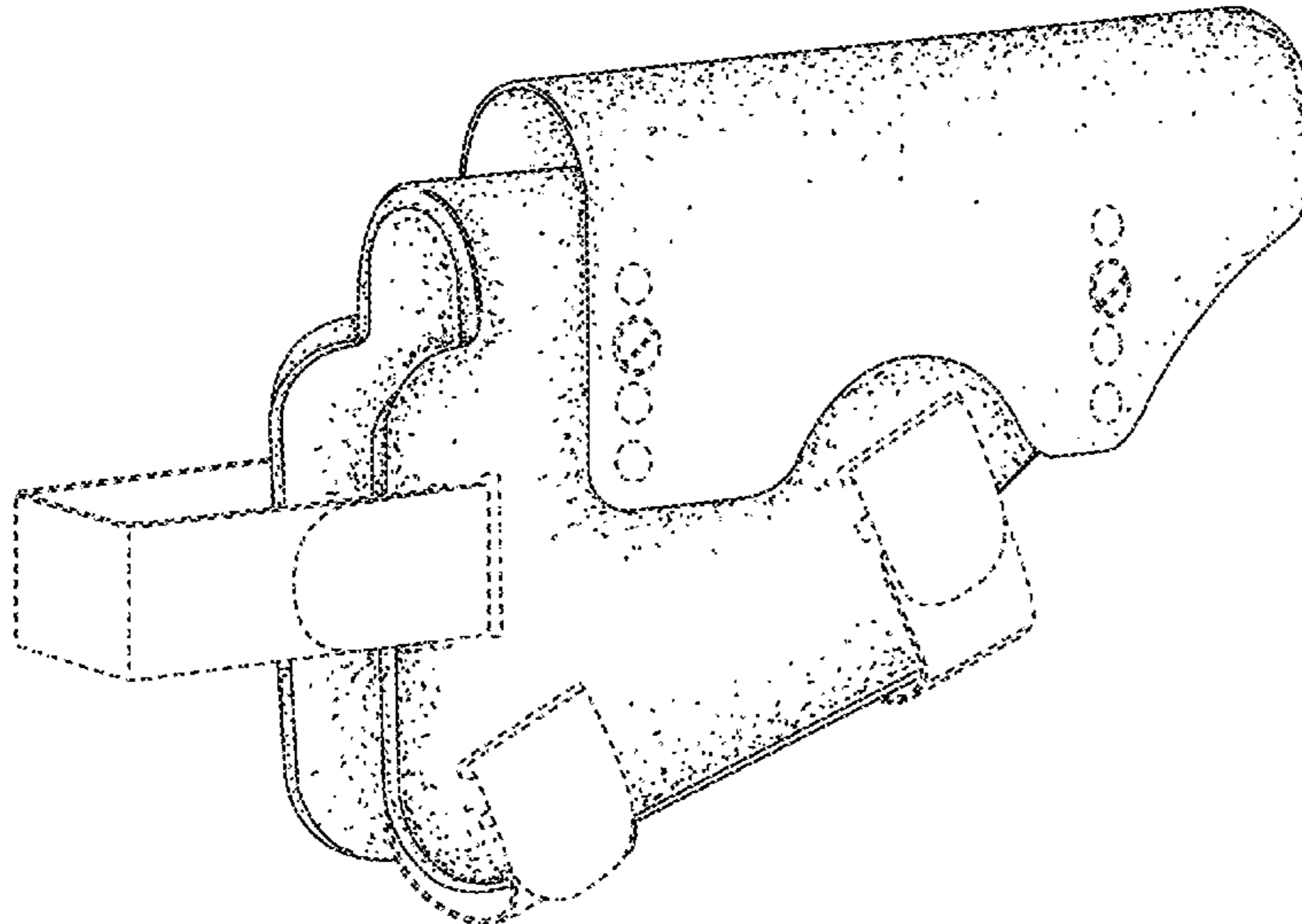
(57) **CLAIM**

The ornamental design for an adjustable cheek rest assembly, as shown and described.

**DESCRIPTION**

FIG. 1 is a perspective view of an adjustable cheek rest assembly showing my new design;  
 FIG. 2 is a front elevational view thereof;  
 FIG. 3 is a rear elevational view thereof;  
 FIG. 4 is a left side elevational view thereof;  
 FIG. 5 is a right side elevational view thereof;  
 FIG. 6 is a bottom plan view thereof;  
 FIG. 7 is a top plan view thereof; and,  
 FIG. 8 is an exploded perspective view thereof.  
 The broken line showing of straps is included for the purpose of illustrating environmental structure and forms no part of the claimed design.

**1 Claim, 8 Drawing Sheets**



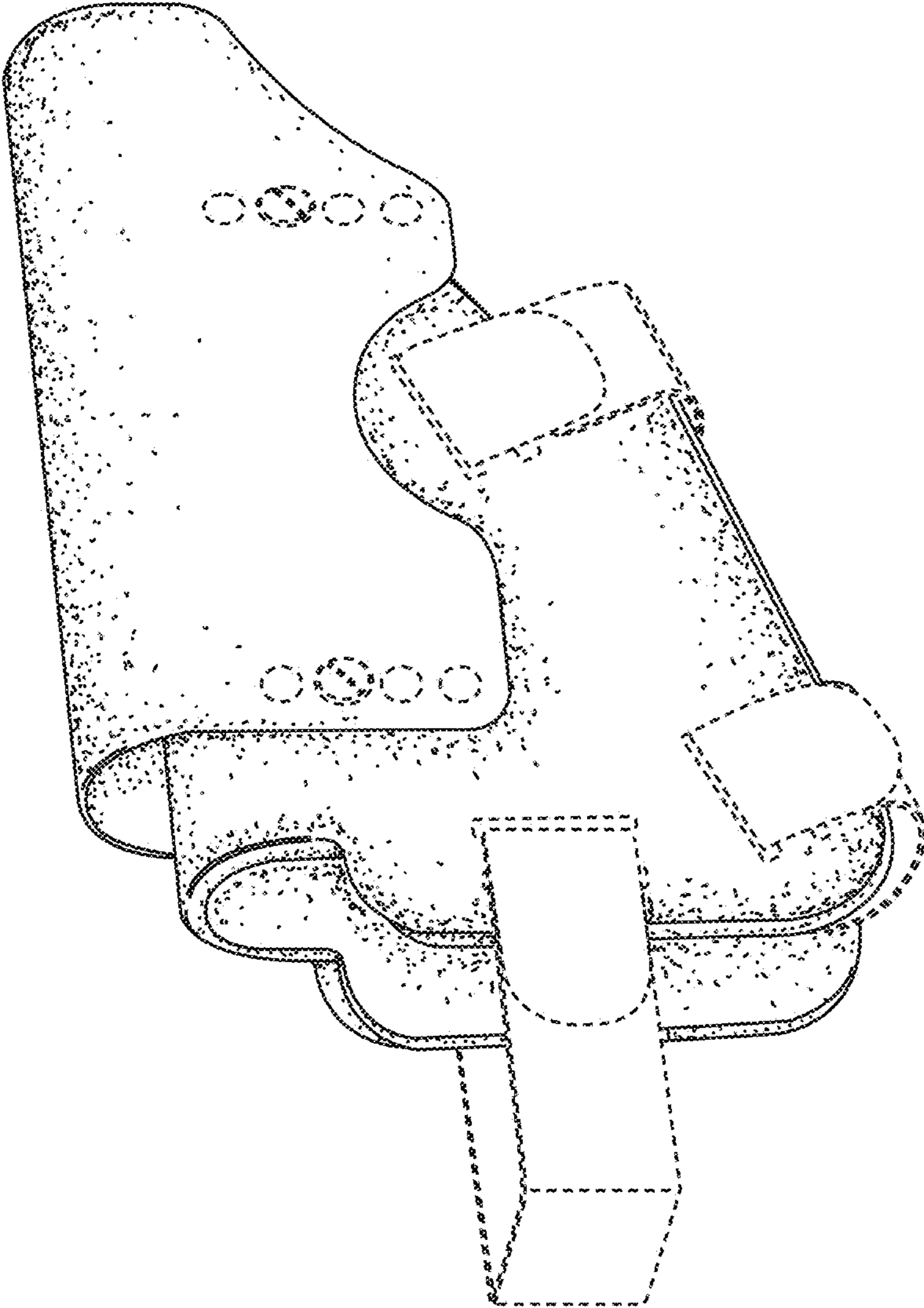


FIG. 1

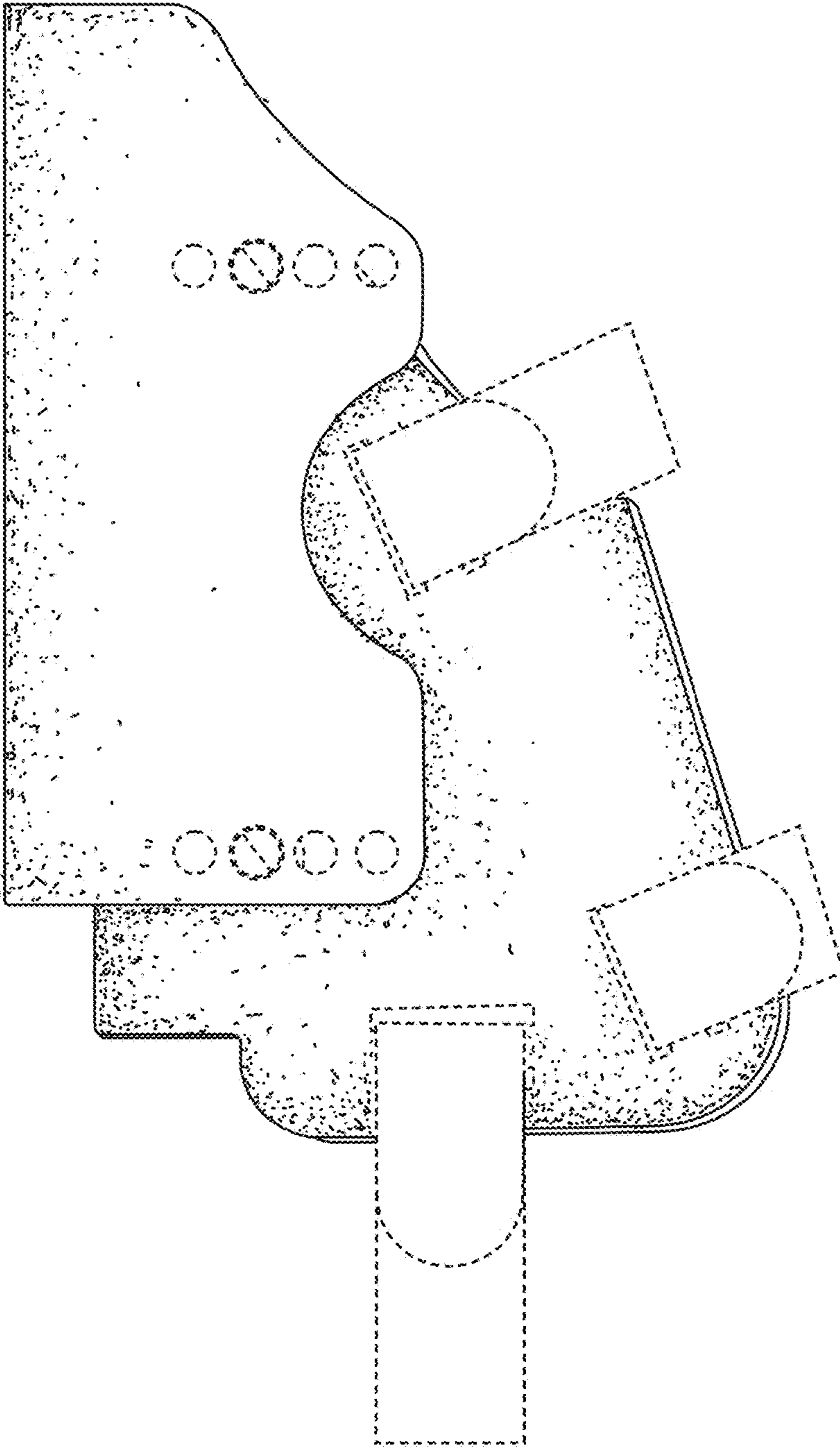


FIG. 2

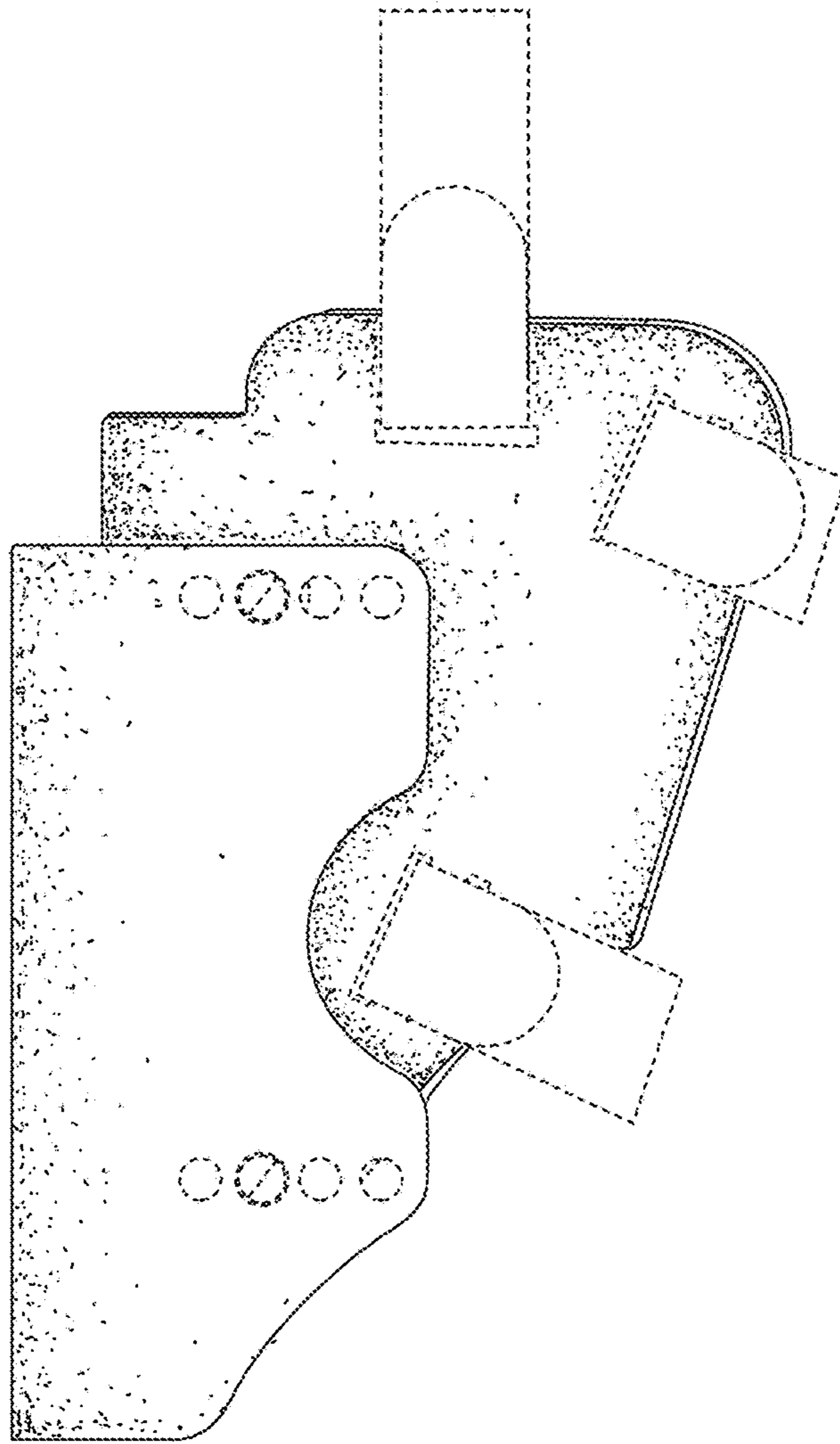


FIG. 3

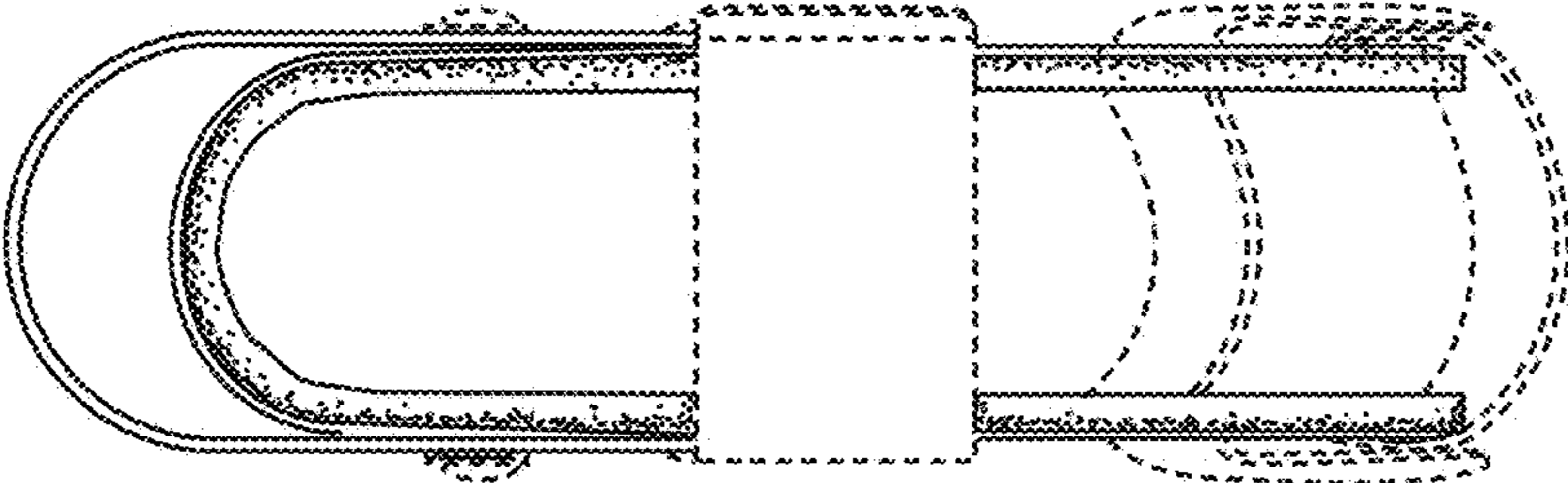


FIG. 4

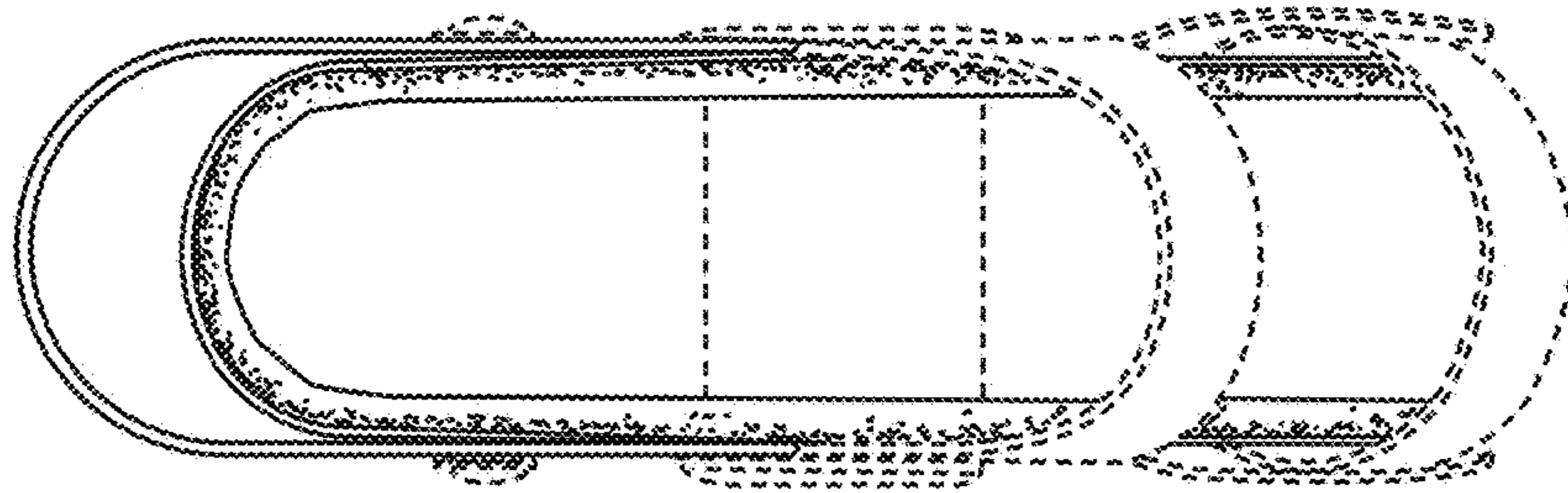


FIG. 5

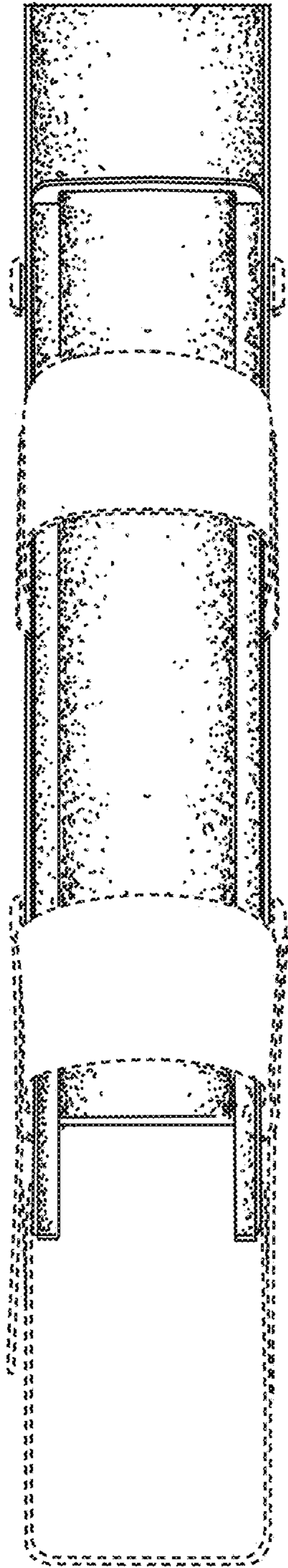


FIG. 6

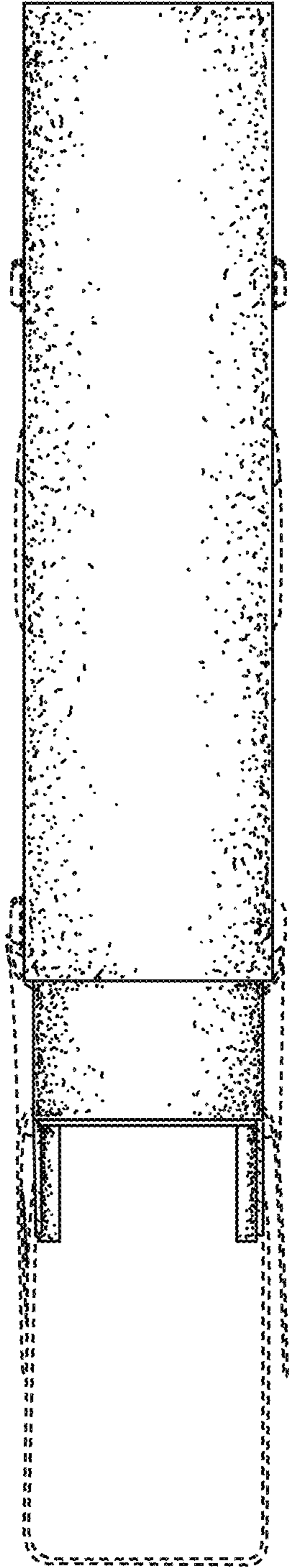


FIG. 7



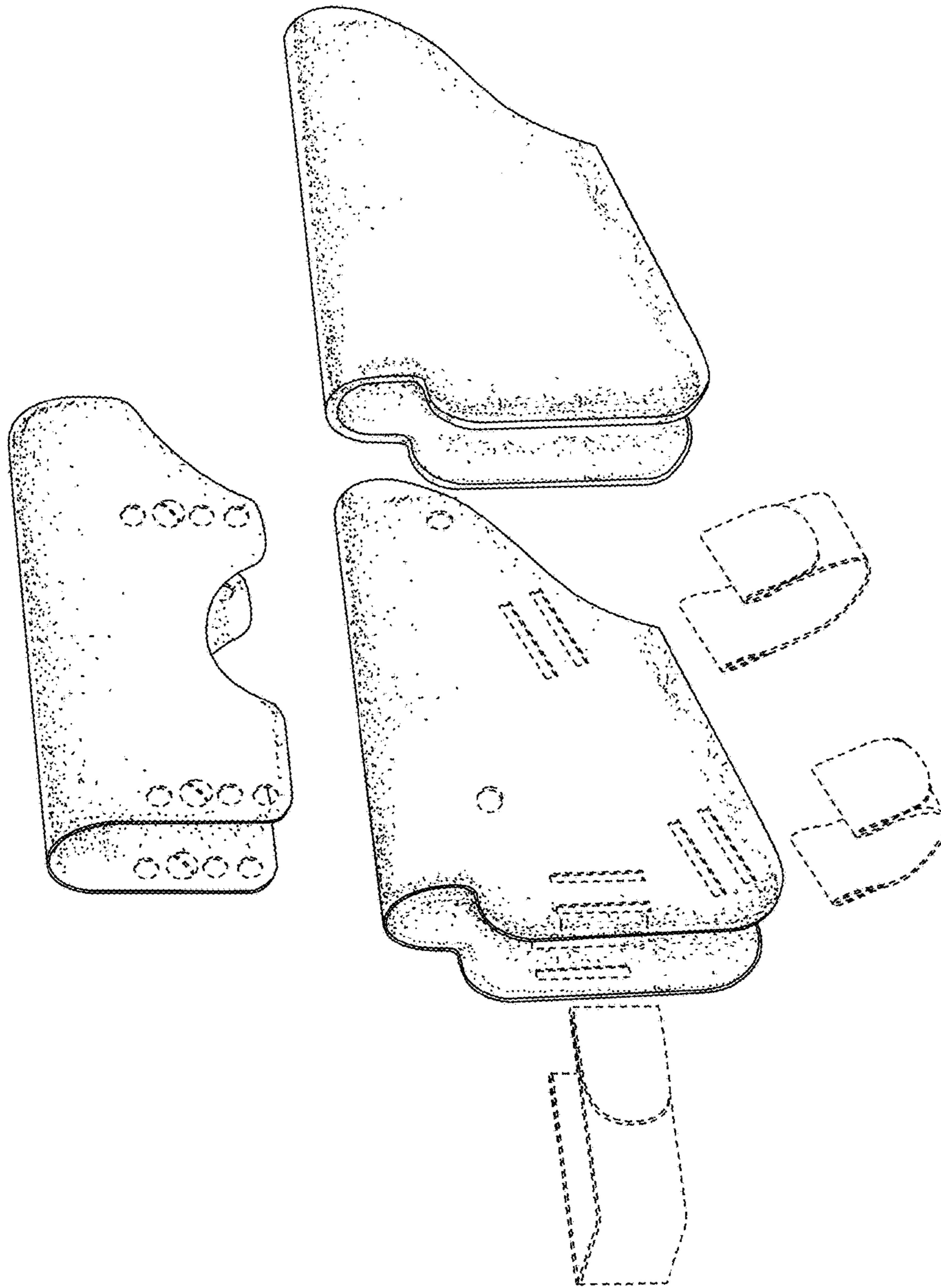


FIG. 8