



US00D787619S

(12) **United States Design Patent**  
**Young et al.**

(10) **Patent No.:** **US D787,619 S**  
(45) **Date of Patent:** **\*\* May 23, 2017**

(54) **FIREARM**

(71) Applicants: **Nicholas E. Young**, Murray, UT (US);  
**Andrew Gary Sunseri**, Cottonwood Heights, UT (US)

(72) Inventors: **Nicholas E. Young**, Murray, UT (US);  
**Andrew Gary Sunseri**, Cottonwood Heights, UT (US)

(\*\*) Term: **15 Years**

(21) Appl. No.: **29/550,171**

(22) Filed: **Dec. 30, 2015**

**Related U.S. Application Data**

(62) Division of application No. 29/487,970, filed on Apr. 14, 2014, now Pat. No. Des. 750,722.

(51) **LOC (10) Cl.** ..... **22-01**

(52) **U.S. Cl.**  
USPC ..... **D22/103**

(58) **Field of Classification Search**  
USPC ..... D8/103, 108; D21/572-575  
CPC ..... F41C 23/10; F41C 23/14; F41C 23/16;  
F41C 23/18; F41C 23/00; F41C 27/00;  
F41C 27/06

See application file for complete search history.

(56) **References Cited**

**U.S. PATENT DOCUMENTS**

D693,420 S \* 11/2013 Abbott ..... D22/103  
D715,882 S \* 10/2014 Jonker ..... D22/103  
D719,631 S \* 12/2014 Ferko ..... D22/103  
D723,128 S \* 2/2015 Hu ..... D22/103  
D730,999 S \* 6/2015 Stevens ..... D21/573  
9,200,857 B1 \* 12/2015 Kellgren ..... F41A 15/12

9,217,617 B1 \* 12/2015 Mapes ..... F41A 17/38  
D750,722 S \* 3/2016 Young ..... D22/103  
2014/0373823 A1 \* 12/2014 Stevens ..... F41B 11/51  
124/56  
2015/0107143 A1 \* 4/2015 Coetzee ..... F41G 11/003  
42/14  
2015/0338181 A1 \* 11/2015 McAlister ..... F41A 19/10  
42/6

\* cited by examiner

*Primary Examiner* — Michael A Pratt

(57) **CLAIM**

The ornamental design for a firearm, as shown.

**DESCRIPTION**

FIG. 1 is a perspective view of an exemplary firearm from above to the right and toward the front.

FIG. 2 is a perspective view of the firearm of FIG. 1 from above to the left and toward the front.

FIG. 3 is a perspective view of the firearm of FIG. 1 from below to the right and toward the front.

FIG. 4 is a perspective view of the firearm of FIG. 1 from below to the left and toward the front.

FIG. 5 is a left elevation view of the firearm of FIG. 1.

FIG. 6 is a right elevation view of the firearm of FIG. 1.

FIG. 7 is a bottom plan view of the firearm of FIG. 1.

FIG. 8 is a top plan view of the firearm of FIG. 1.

FIG. 9 is a front elevation view of the firearm of FIG. 1; and, FIG. 10 is a rear elevation view of the firearm of FIG. 1.

The phantom dashed lines in the Figs. showing portions of the scope reticle are for illustrative purposes only and form no part of the claimed design relative to the particular embodiment shown.

**1 Claim, 7 Drawing Sheets**

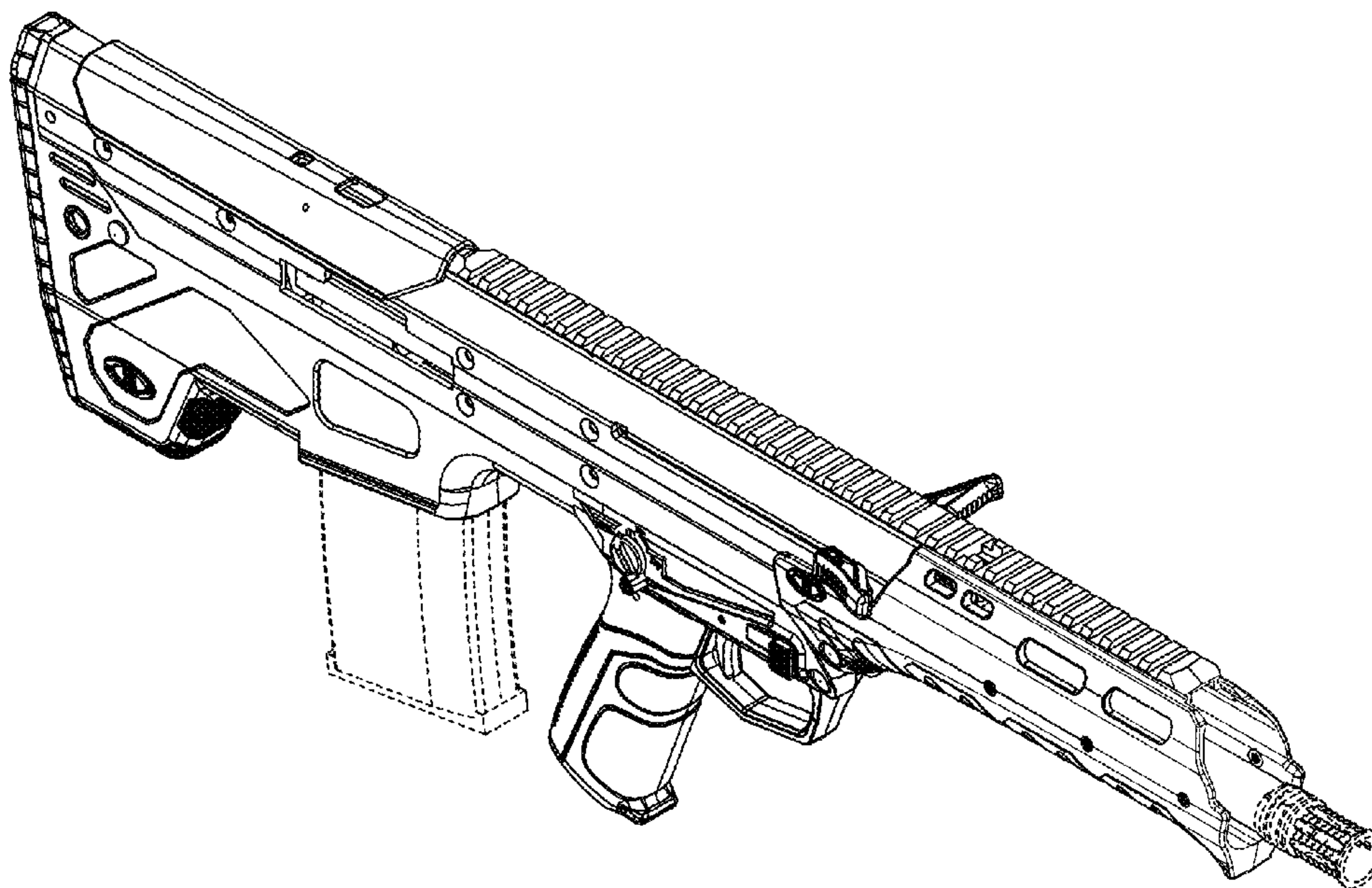




FIG. 1



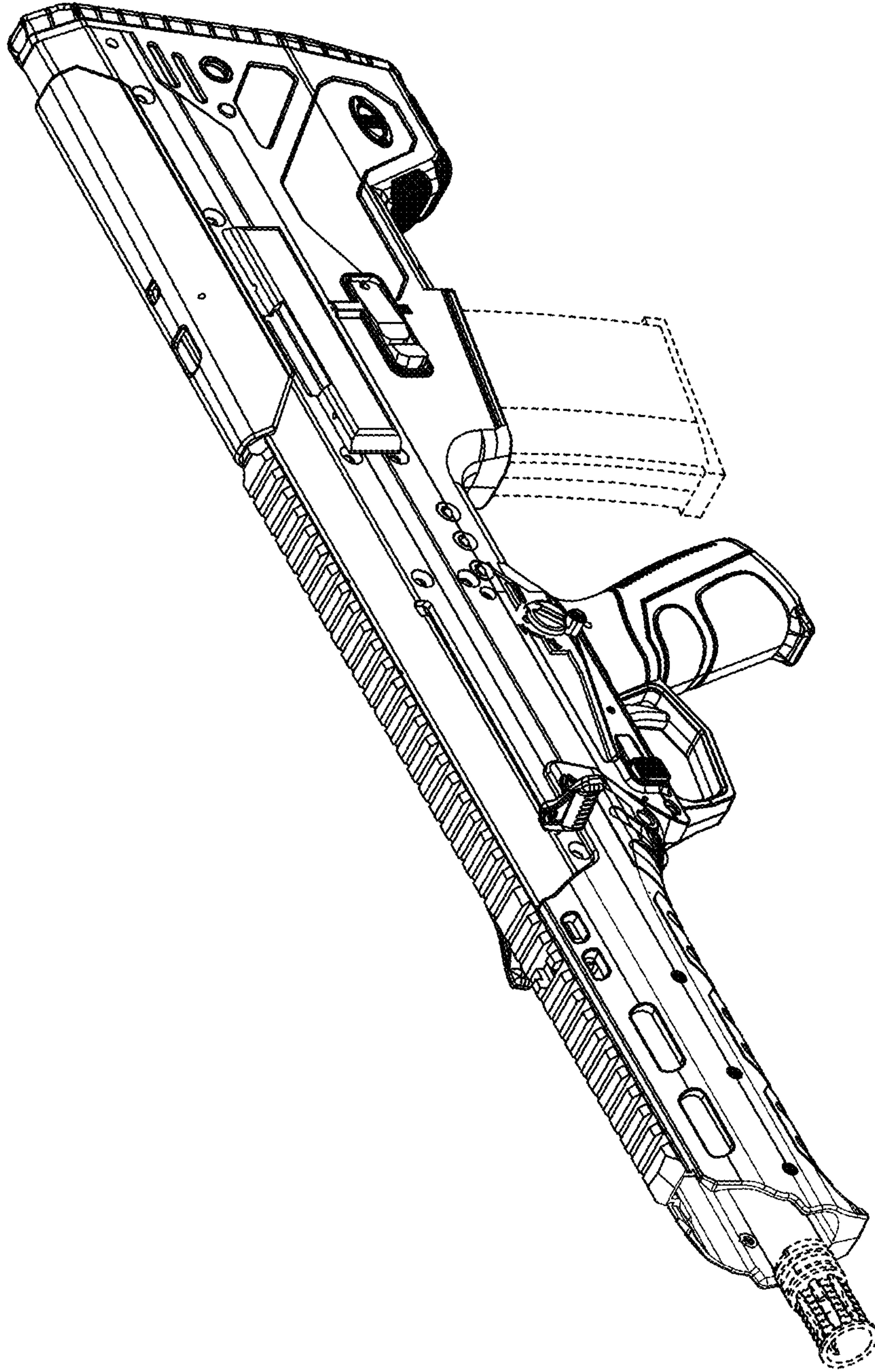


FIG. 2

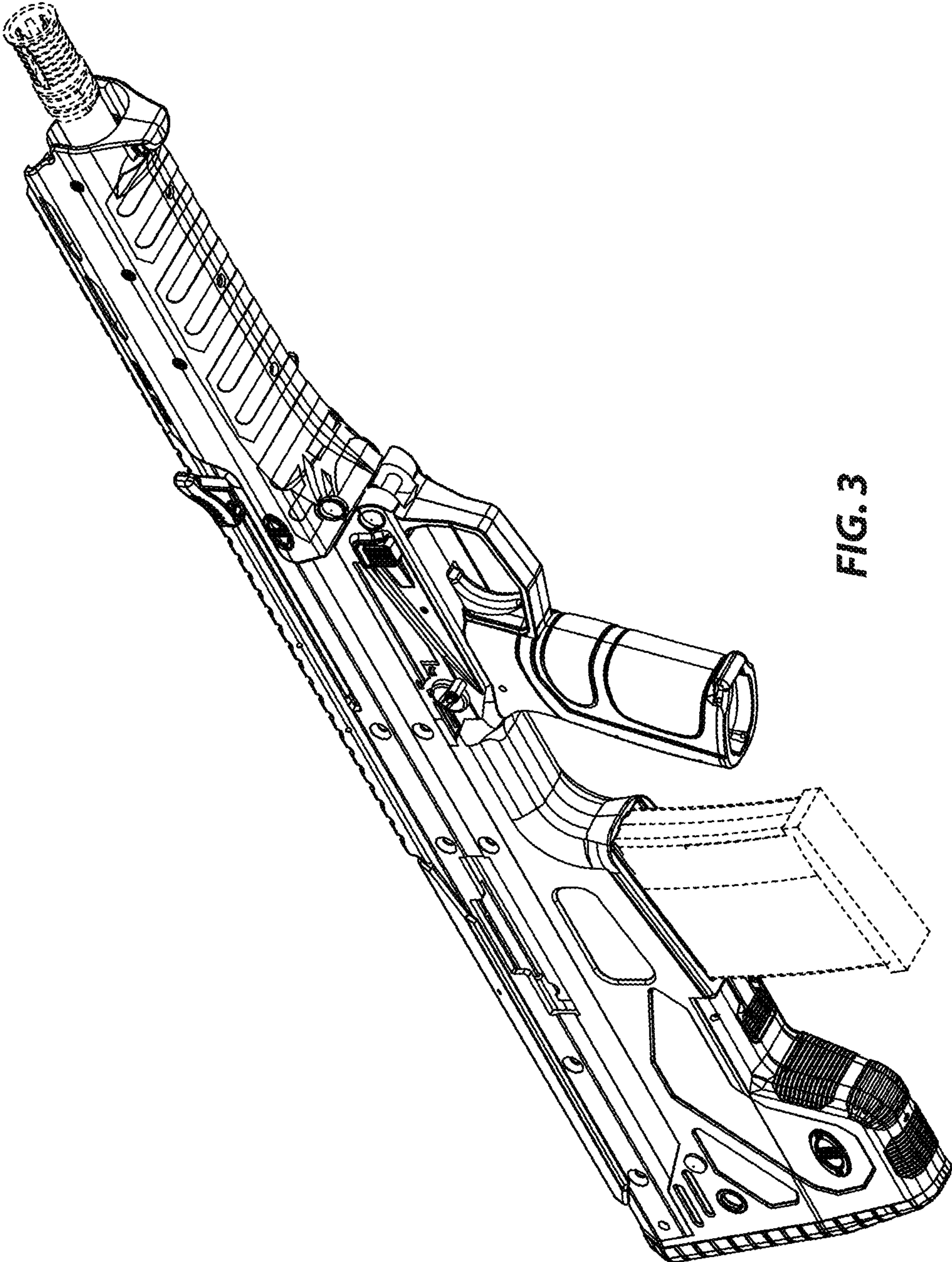


FIG. 3

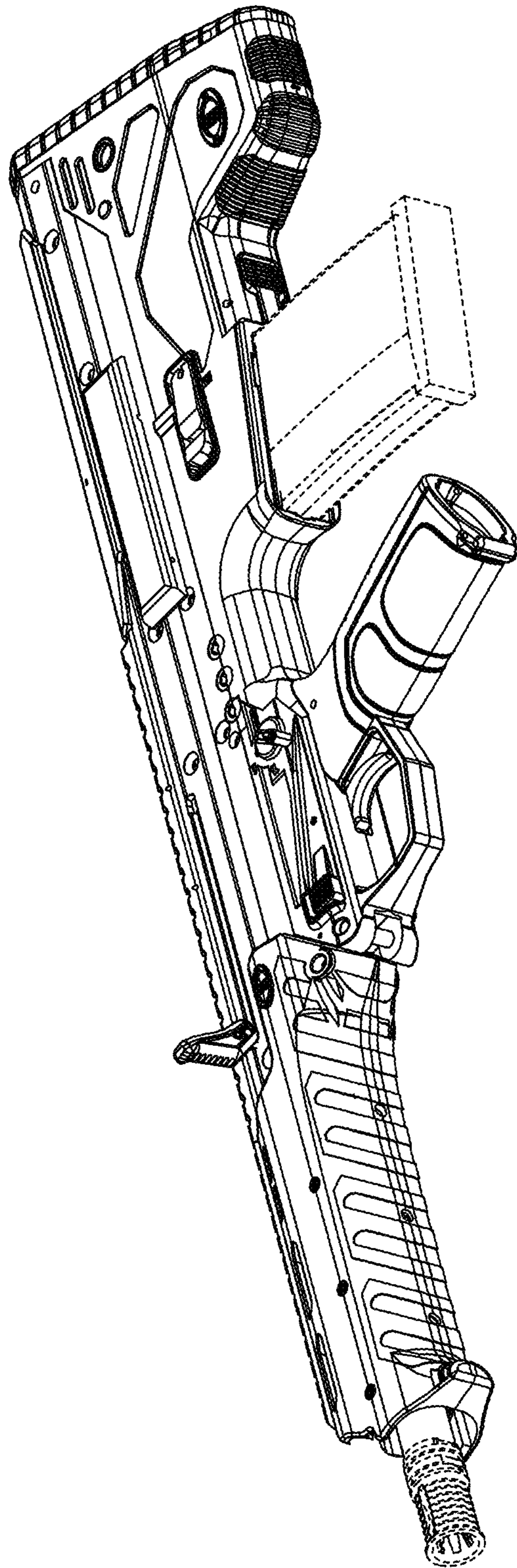


FIG. 4



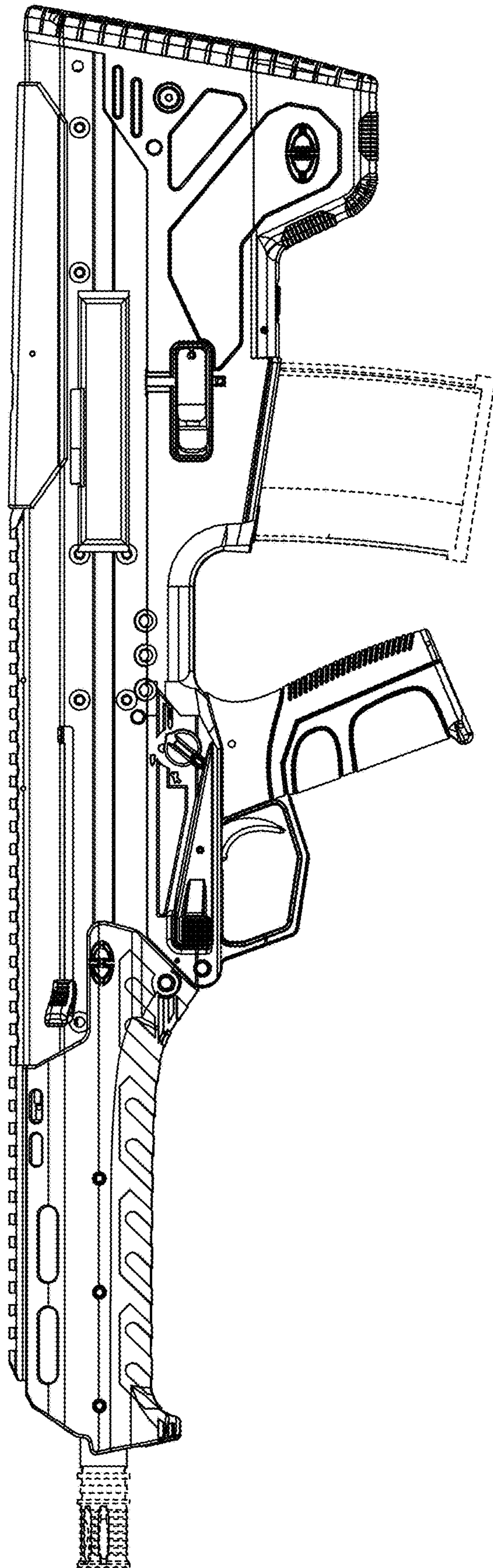


FIG. 5

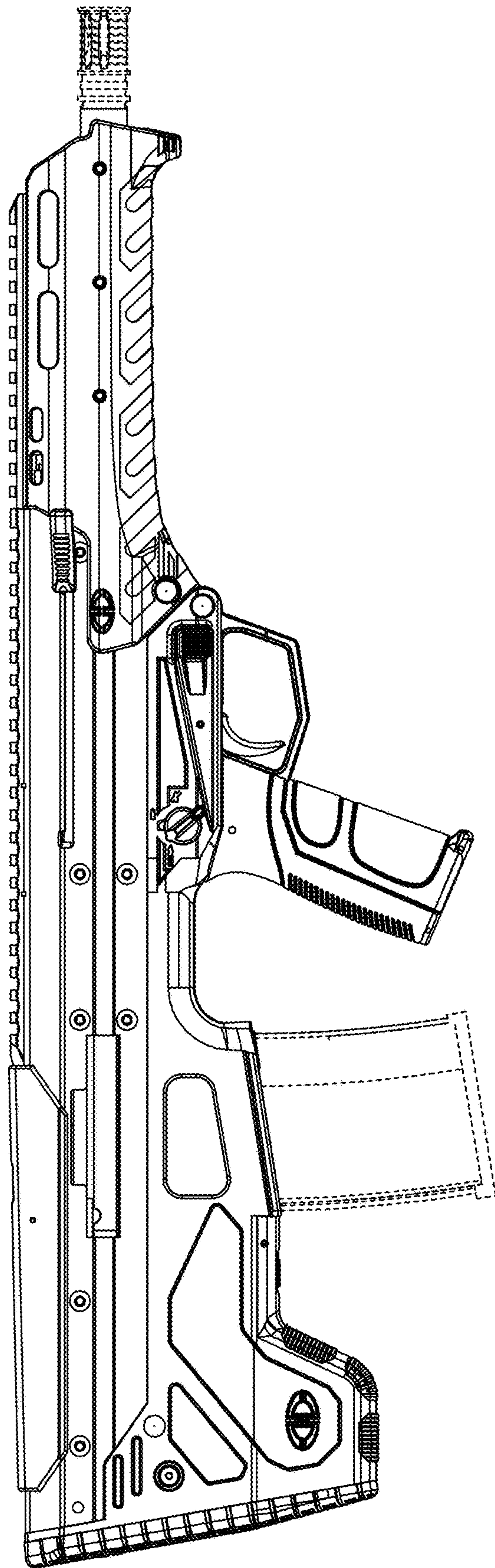


FIG. 6

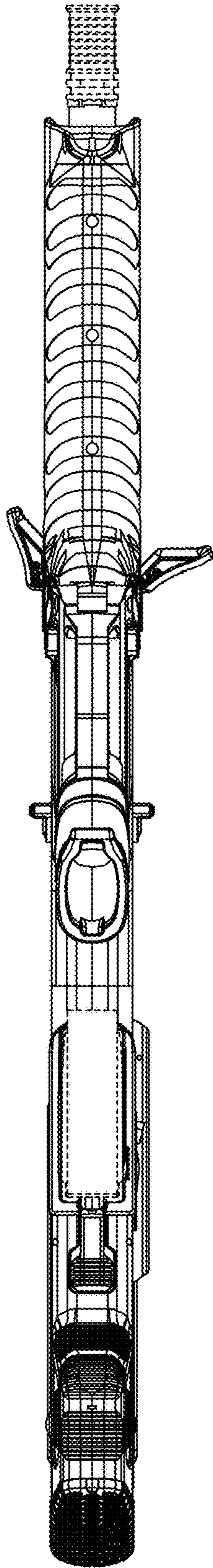


FIG. 7

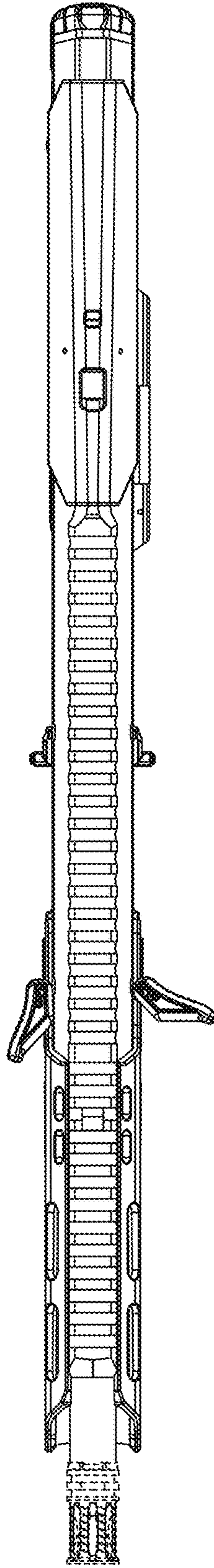


FIG. 8

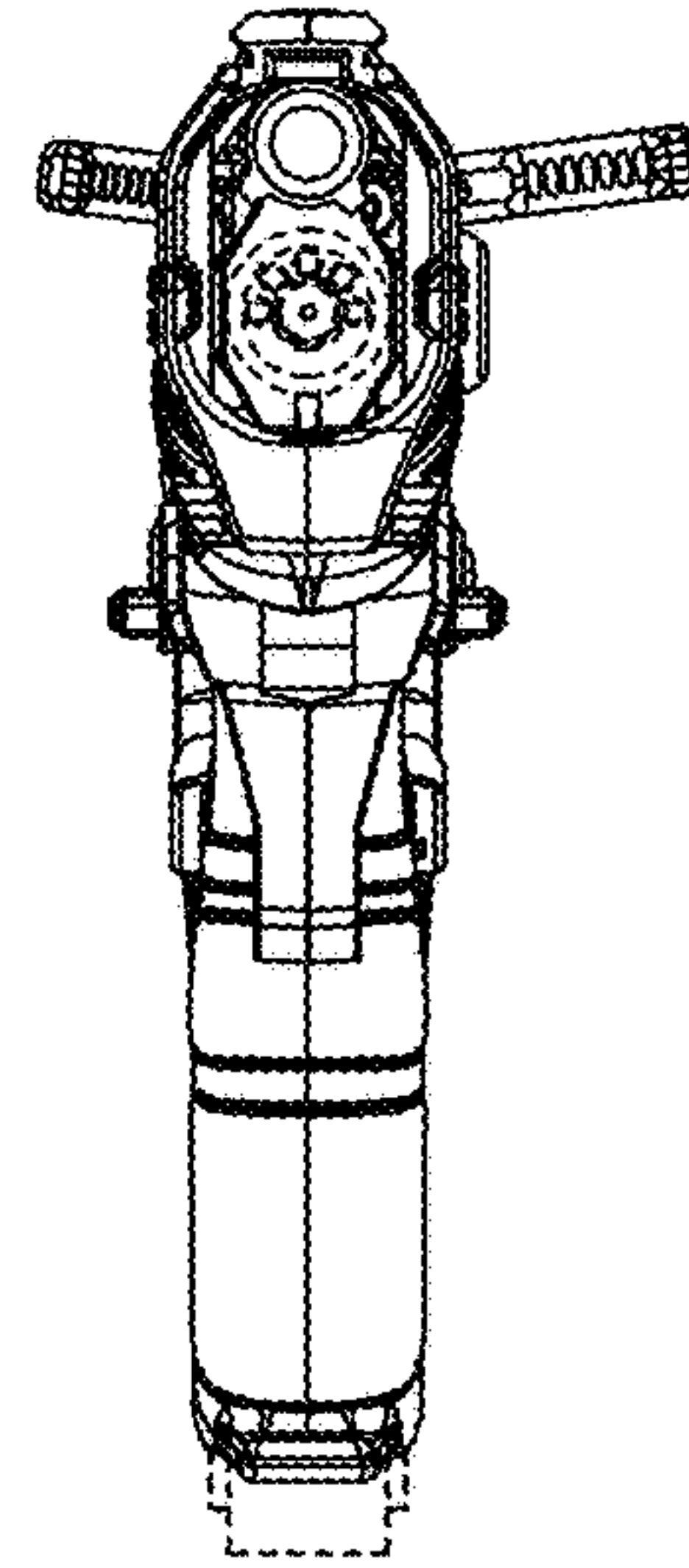


FIG. 9

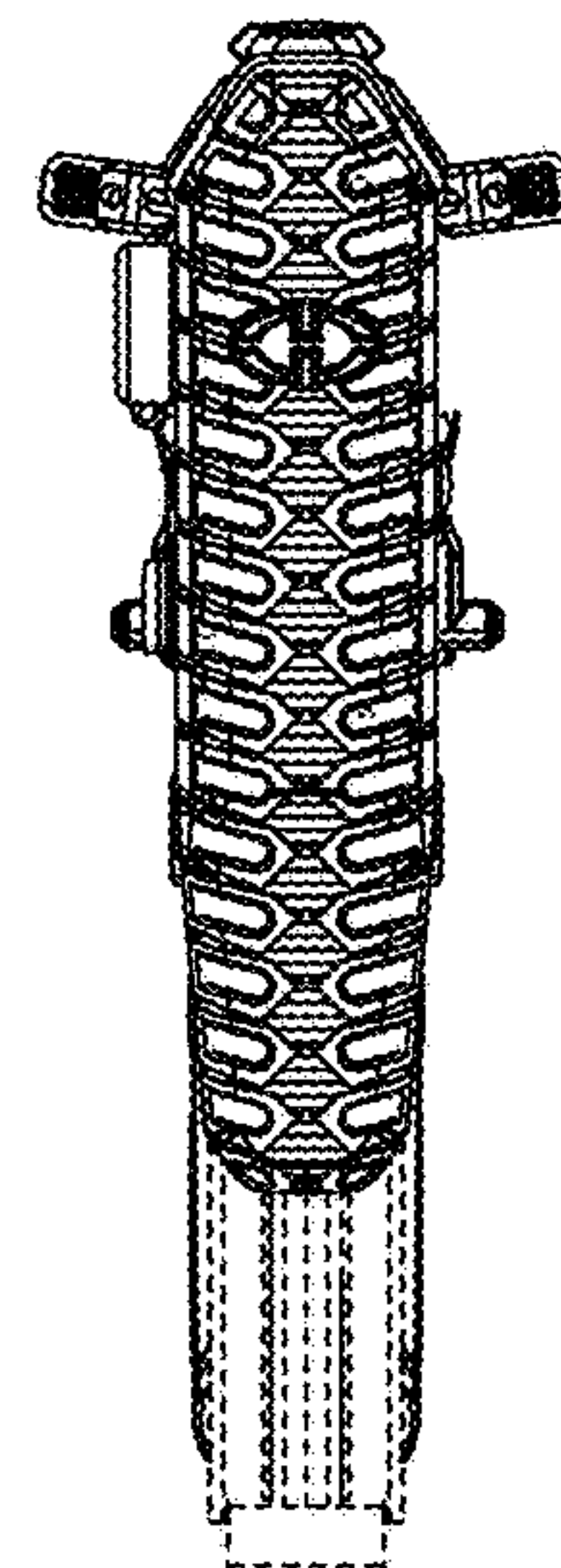


FIG. 10