



US00D787617S

(12) **United States Design Patent**  
**Krepack**

(10) **Patent No.:** **US D787,617 S**

(45) **Date of Patent:** **\*\* May 23, 2017**

- (54) **INFLATABLE TOY**
- (71) Applicant: **Adam Krepack**, Beverly Hills, CA (US)
- (72) Inventor: **Adam Krepack**, Beverly Hills, CA (US)
- (73) Assignee: **Covves LLC**, Torrance, CA (US)
- (\*\*) Term: **15 Years**

D163,061 S *	4/1951	Meyer	.....	D21/620
3,015,406 A	1/1962	Nolte		
D256,736 S *	9/1980	Bajork	.....	D2/741
D265,224 S *	6/1982	Bollen	.....	D21/832
D266,754 S	11/1982	Taylor		
D291,716 S	9/1987	Wolfe		
D293,011 S	12/1987	Wolfe		
4,718,661 A *	1/1988	Wolfe	.....	B63B 35/73 273/447
D301,910 S *	6/1989	Wolfe	.....	D21/808
D302,718 S *	8/1989	Wolfe	.....	D21/620
D302,995 S	8/1989	Wolfe		

(Continued)

- (21) Appl. No.: **29/537,216**
- (22) Filed: **Aug. 24, 2015**
- (51) **LOC (10) Cl.** ..... **21-02**
- (52) **U.S. Cl.**  
USPC ..... **D21/808**
- (58) **Field of Classification Search**  
USPC ..... D21/801, 804–806, 808, 415, 428,  
D21/438–439, 473, 576, 597, 626, 416,  
D21/429, 584, 620, 814, 832;  
D1/106–107, 126–128  
CPC ..... B63C 9/11; B63C 2009/0023; B63C 9/08;  
B63C 2009/042; B63C 2009/046; A63B  
31/10–31/12; A63B 31/00; A63B 31/08;  
B63B 35/76; B63B 114/345–114/346;  
B63B 441/35; B63B 441/66; B63B  
441/40–441/41; B63B 441/129–441/132;  
B63B 472/128–472/129  
See application file for complete search history.

(56) **References Cited**

**U.S. PATENT DOCUMENTS**

1,718,637 A *	6/1929	De Pento	.....	A63B 35/12 440/6
2,404,729 A *	7/1946	Hurt	.....	B63B 35/74 441/130
2,438,391 A *	3/1948	Gallagher	.....	A63H 3/16 446/97
D162,126 S *	2/1951	Burkes	.....	D21/620

**OTHER PUBLICATIONS**

“Floaty giant 8 ft. inflatable toy unicorn swimming pool float raft lounge highest quality,” [online], posted Sep. 23, 2015, retrieved Nov. 17, 2016, retrieved from <[https://www.amazon.com/FLOATY-Inflatable-Unicorn-Swimming-Lounger/dp/B012W6OCDA/ref=cm\\_cr\\_arp\\_d\\_product\\_top?ie=UTF8](https://www.amazon.com/FLOATY-Inflatable-Unicorn-Swimming-Lounger/dp/B012W6OCDA/ref=cm_cr_arp_d_product_top?ie=UTF8)>.\*

*Primary Examiner* — Karen Kearney  
*Assistant Examiner* — Debra Callahan  
(74) *Attorney, Agent, or Firm* — Dunlap Bennett & Ludwig PLLC

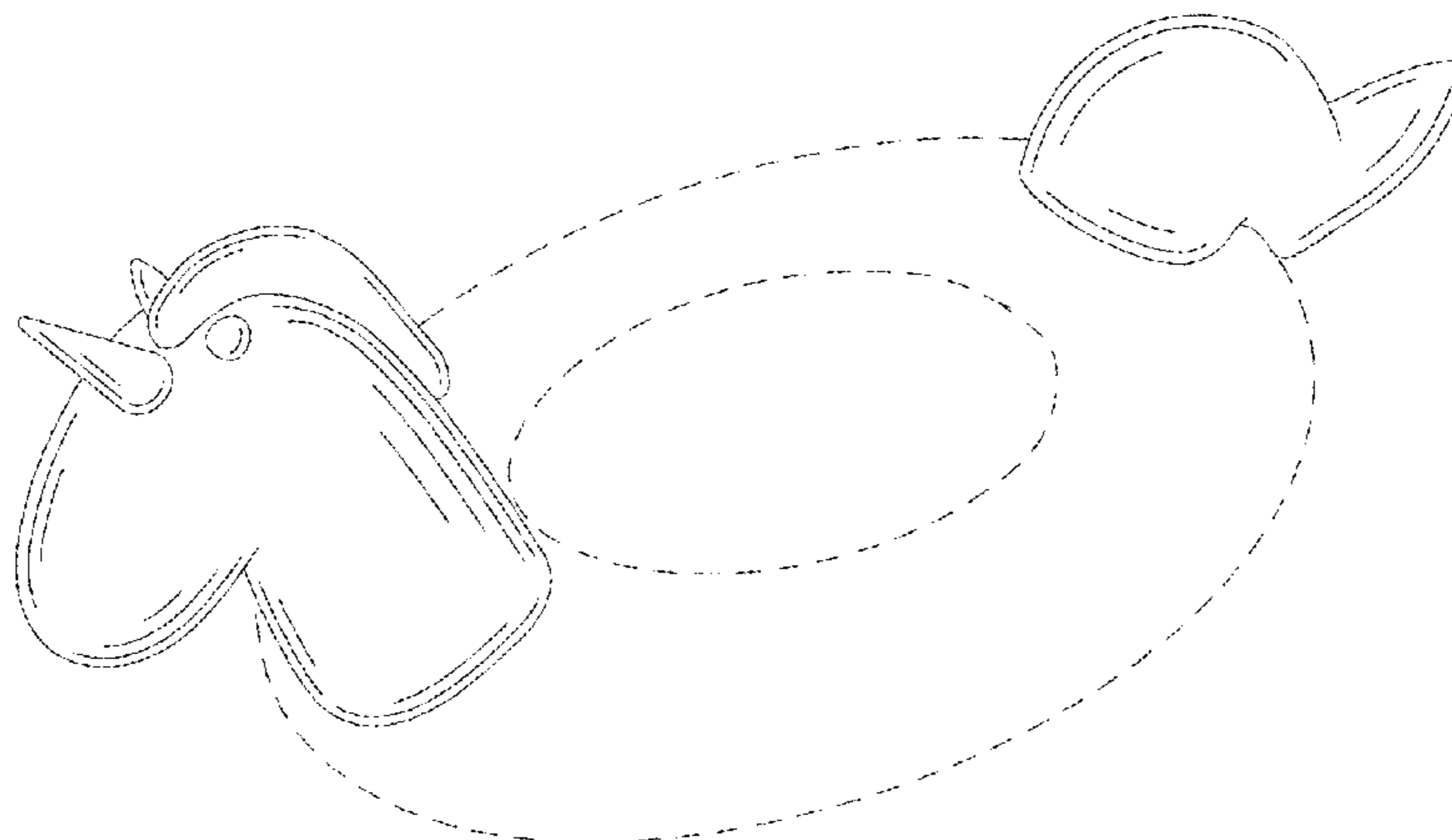
(57) **CLAIM**

The ornamental design for an inflatable toy, as shown and described.

**DESCRIPTION**

FIG. 1 is a top front perspective view of an inflatable toy; FIG. 2 is a top plan view thereof; FIG. 3 is a bottom plan view thereof; FIG. 4 is a front elevation view thereof; FIG. 5 is a rear elevation view thereof; and, FIG. 6 is a right side elevation view thereof, the left side elevation view being a mirror image thereof. The broken lines shown in the drawings illustrate portions of the inflatable toy that form no part of the claimed design.

**1 Claim, 3 Drawing Sheets**



(56)

**References Cited**

U.S. PATENT DOCUMENTS

D302,996	S *	8/1989	Wolfe .....	D21/808
D306,633	S	3/1990	Wolfe	
D340,210	S *	10/1993	Veness .....	D12/130
D341,168	S *	11/1993	Martin .....	D21/429
6,029,845	A	2/2000	Mueller	
D472,944	S	4/2003	Jacobs	
6,607,090	B1	8/2003	Doerr	
6,616,493	B2	9/2003	Powell et al.	
D491,614	S *	6/2004	Arginsky .....	D21/413
D500,097	S *	12/2004	Passmore .....	D21/429
7,662,015	B2	2/2010	Hui	
D639,117	S	6/2011	Jonsson	
D669,544	S	10/2012	Hornsby et al.	
D680,787	S *	4/2013	Diaz .....	D21/620
D700,253	S *	2/2014	Lo .....	D21/620
D700,663	S *	3/2014	Lo .....	D21/620
D705,375	S *	5/2014	Rubey .....	D21/803
2003/0077958	A1	4/2003	Powell et al.	
2009/0053969	A1 *	2/2009	Hui .....	A63H 33/22 446/130
2012/0228175	A1	9/2012	Ressel et al.	

\* cited by examiner

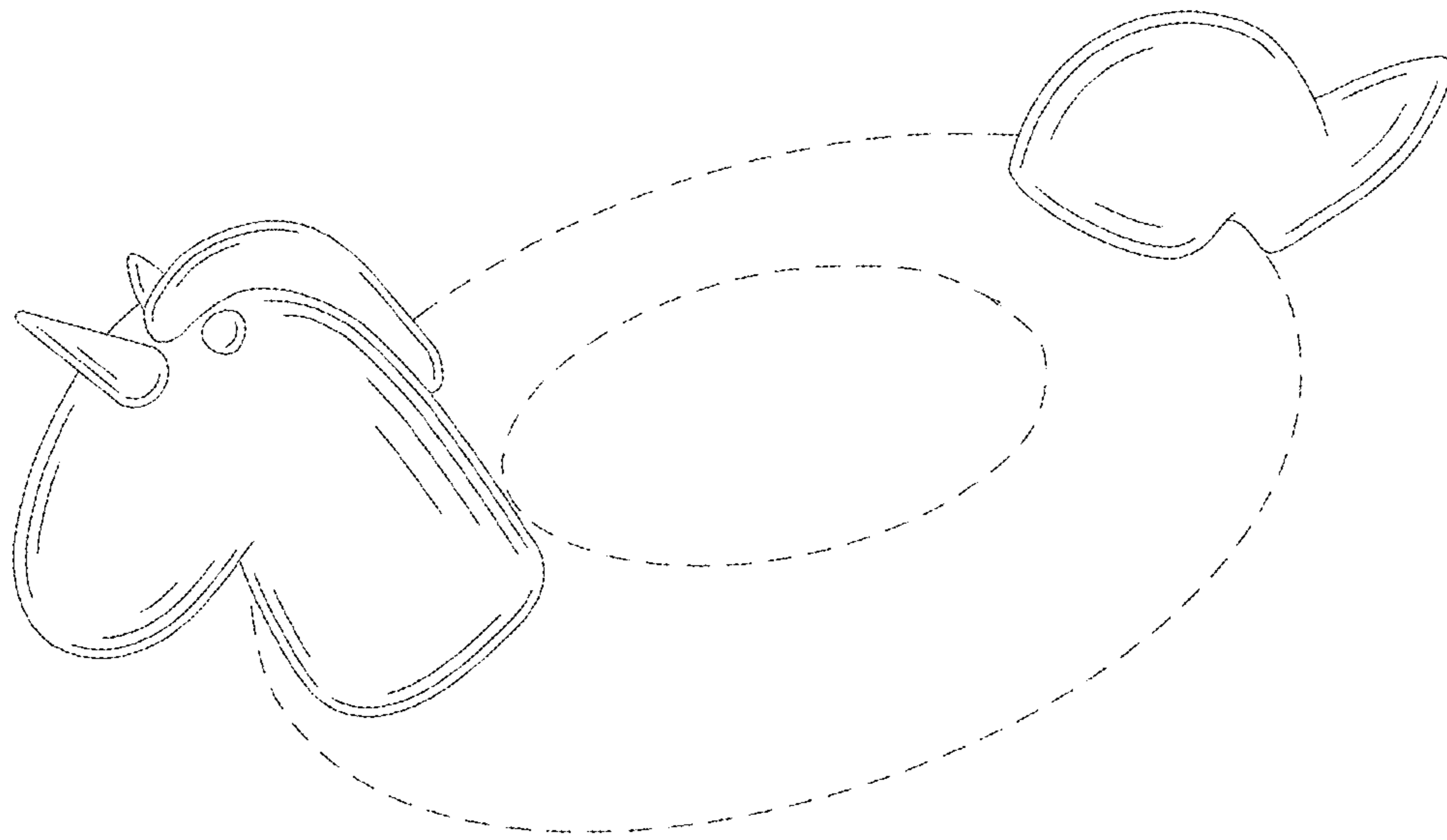


FIG.1

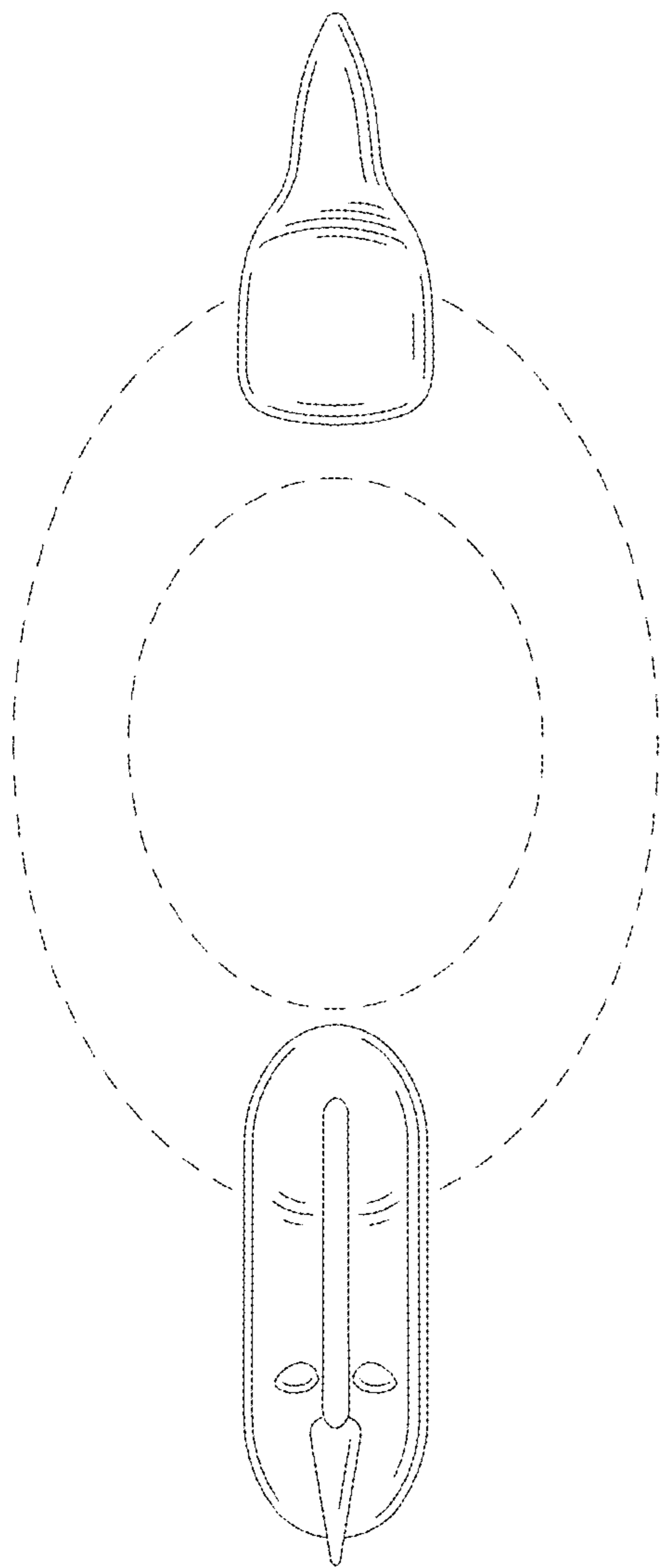


FIG. 2

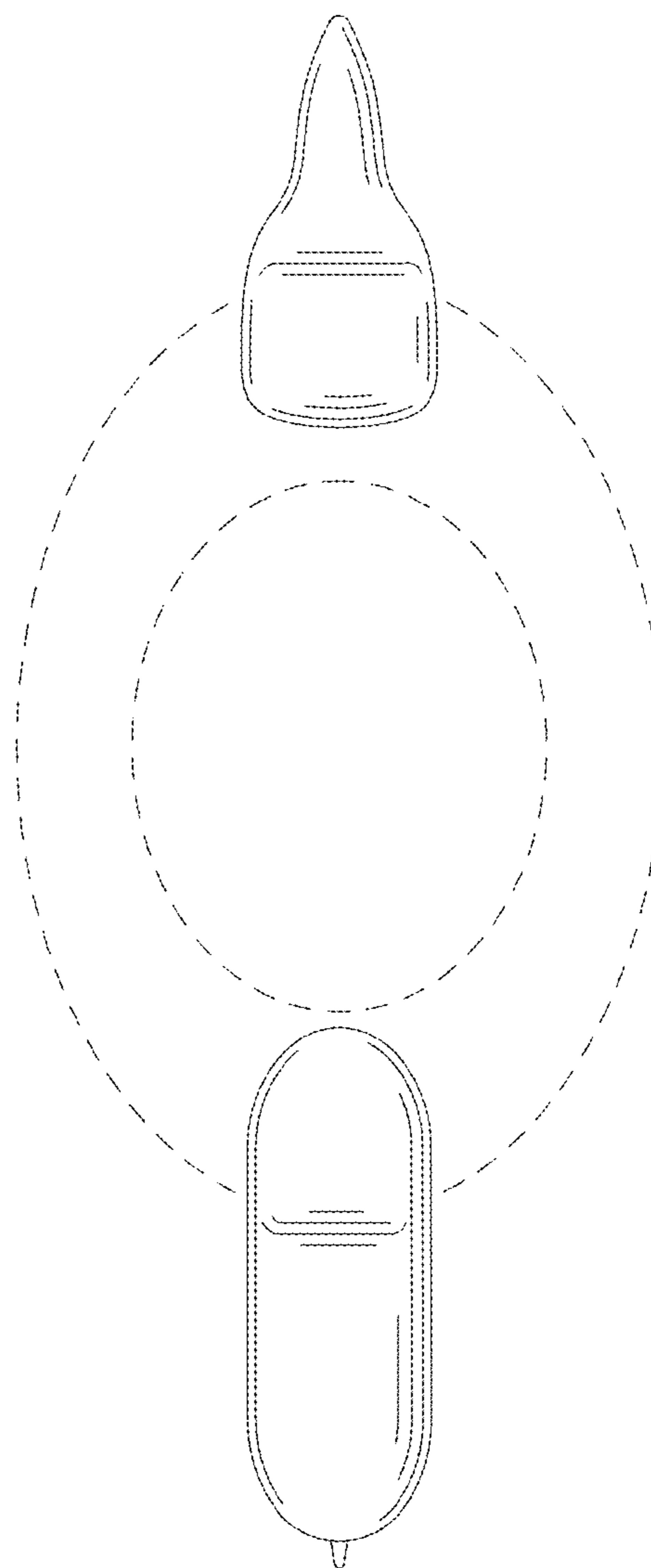


FIG. 3

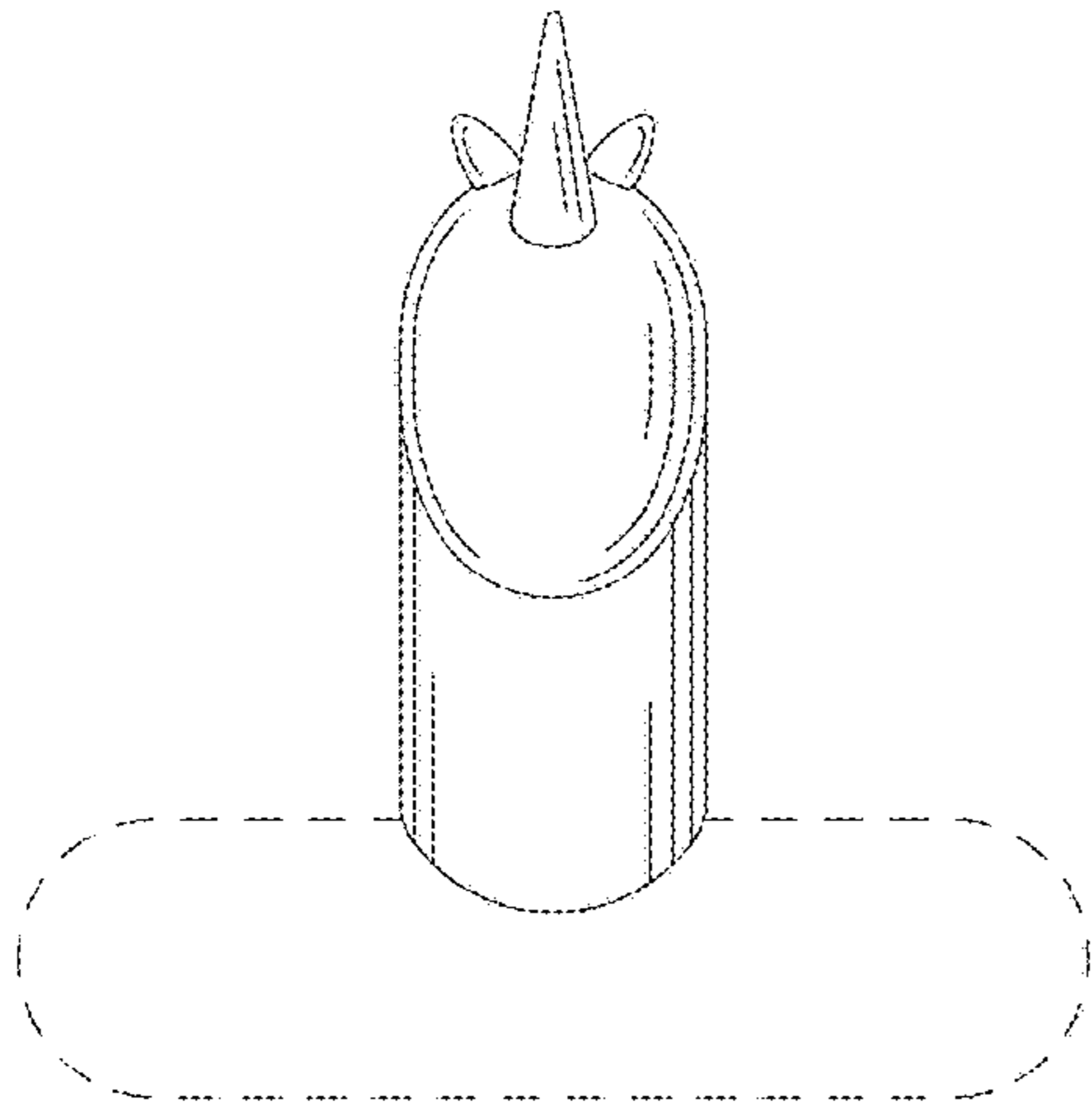


FIG. 4

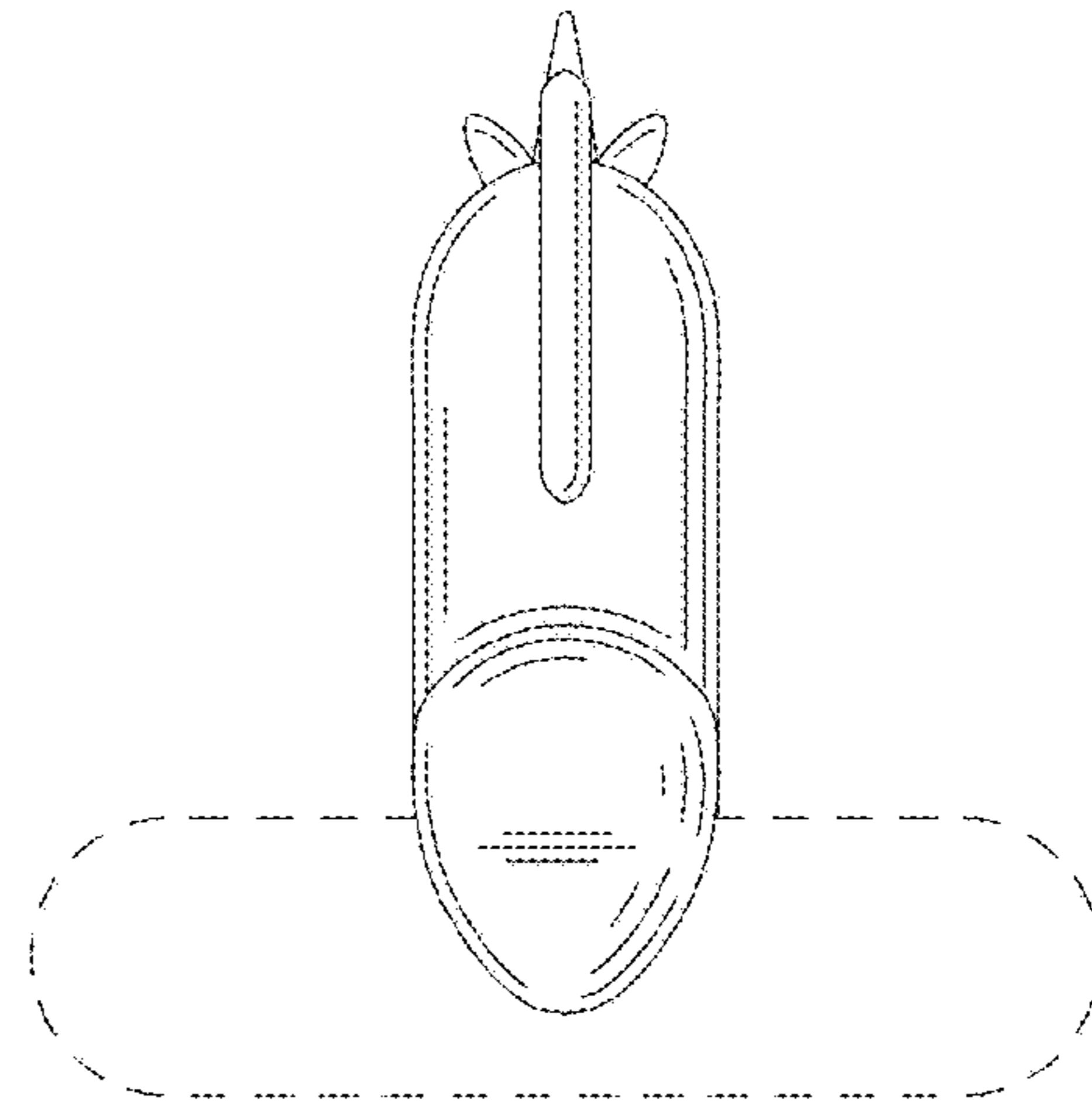


FIG. 5

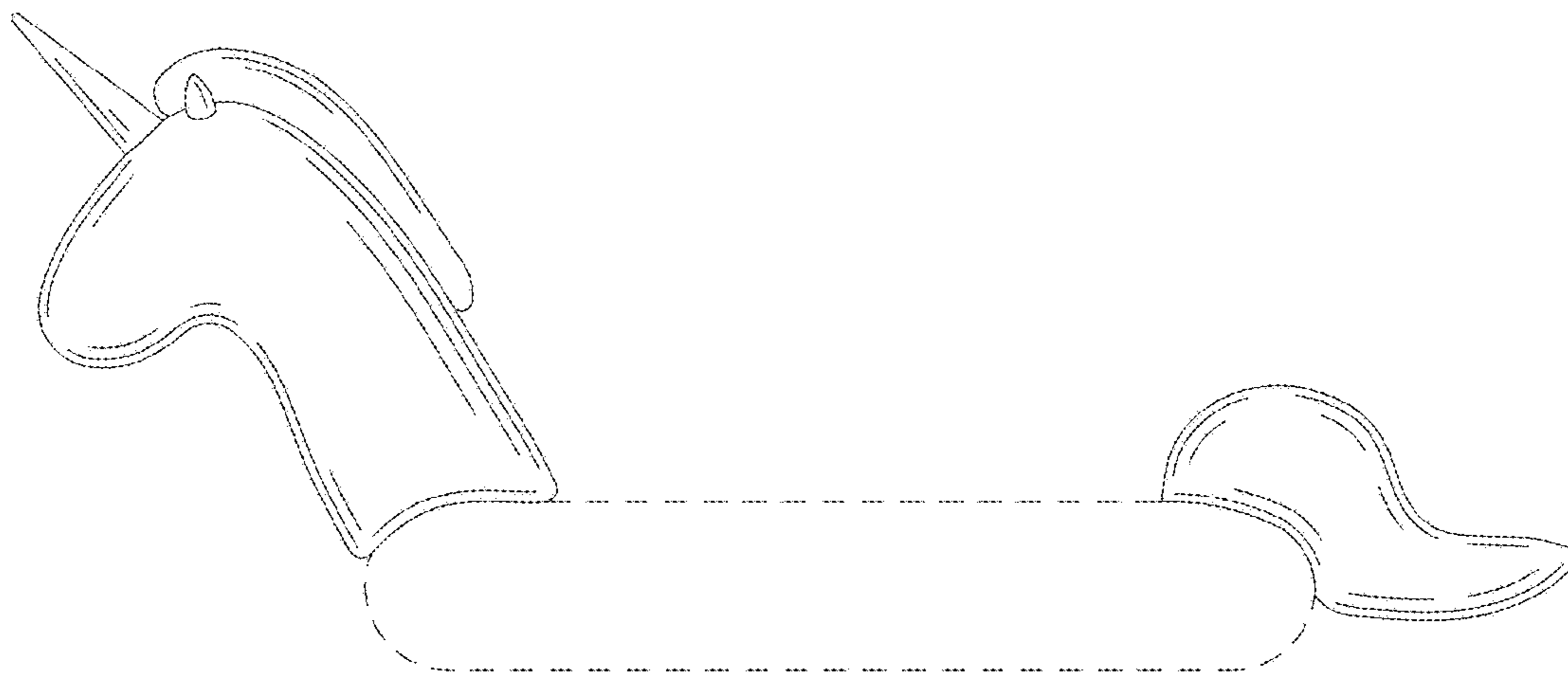


FIG. 6

UNITED STATES PATENT AND TRADEMARK OFFICE  
**CERTIFICATE OF CORRECTION**

PATENT NO. : D787,617 S  
APPLICATION NO. : 29/537216  
DATED : May 23, 2017  
INVENTOR(S) : Krepack et al.

Page 1 of 1

It is certified that error appears in the above-identified patent and that said Letters Patent is hereby corrected as shown below:

On the Title Page

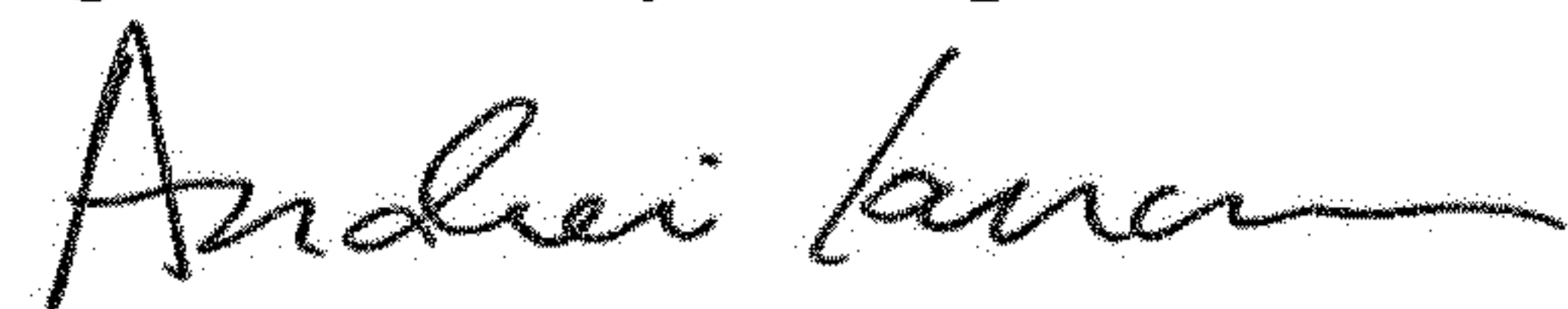
Item (72), please add inventors as listed below:

Tomislav Vuksic, Zagreb, HR

Lois Lo, Hong Kong, HK

Benson Su, Torrance, CA (US)

Signed and Sealed this  
Eighteenth Day of September, 2018



Andrei Iancu  
*Director of the United States Patent and Trademark Office*