



US00D787616S

(12) **United States Design Patent**  
**Howard**

(10) **Patent No.:** **US D787,616 S**

(45) **Date of Patent:** **\*\* May 23, 2017**

(54) **GOLF PRACTICE AID**

(71) Applicant: **Reed Howard**, Santa Monica, CA (US)

(72) Inventor: **Reed Howard**, Santa Monica, CA (US)

(\*\*) Term: **15 Years**

(21) Appl. No.: **29/554,804**

(22) Filed: **Feb. 16, 2016**

(51) **LOC (10) Cl.** ..... **21-02**

(52) **U.S. Cl.**  
USPC ..... **D21/791**

(58) **Field of Classification Search**  
USPC ..... D21/789, 791; D2/865, 866, 882, 883,  
D2/891, 893  
CPC ..... A63B 69/3608; A63B 2071/0694; G02C  
3/02  
See application file for complete search history.

(56) **References Cited**

**U.S. PATENT DOCUMENTS**

1,169,188 A \* 1/1916 Peck ..... G01C 3/12  
2/422

2,330,442 A 9/1943 Nero

2,717,385 A 9/1955 Linster

3,109,654 A 11/1963 Comitz

3,178,187 A 4/1965 Cardwell

3,437,339 A \* 4/1969 Starck ..... A63B 69/3608  
2/195.1

3,670,417 A 6/1972 Rogers

3,729,199 A 4/1973 Granberg

3,826,502 A 7/1974 Sorge

3,951,414 A 4/1976 Nunez

4,063,740 A 12/1977 Mader

4,079,940 A 3/1978 Arakaki

D254,212 S 2/1980 Jones

4,298,201 A \* 11/1981 Palinkas ..... A63B 69/3608  
473/210

4,307,885 A 12/1981 Pidcock

4,696,111 A 9/1987 Gardner

4,739,991 A 4/1988 Flinn, Jr.

4,762,325 A \* 8/1988 McCleery ..... A63B 69/3608  
2/209.13

4,789,159 A 12/1988 Kane

4,790,539 A 12/1988 Clark

4,896,375 A 1/1990 Colucci

4,936,584 A 6/1990 Ewald et al.

5,171,152 A \* 12/1992 McCleery ..... A63B 69/3608  
2/209.13

5,253,870 A \* 10/1993 Bedney ..... A63B 69/3608  
273/DIG. 17

D352,757 S \* 11/1994 Gerhardt ..... D21/792

D359,334 S \* 6/1995 Taylor ..... D21/791

5,467,992 A 11/1995 Harkness

5,538,250 A \* 7/1996 Putz ..... A63B 69/3608  
473/210

(Continued)

**FOREIGN PATENT DOCUMENTS**

WO WO2014165716 A2 10/2014

*Primary Examiner* — Mitchell Siegel

(74) *Attorney, Agent, or Firm* — Gallagher & Dawsey  
Co., LPA; David J. Dawsey; Michael J. Gallagher

(57) **CLAIM**

I claim the ornamental design for a golf practice aid, as shown and described.

**DESCRIPTION**

FIG. 1 is an isometric view of a golf practice aid showing the new design;

FIG. 2 is a front elevation view thereof; and

FIG. 3 is a rear elevation view thereof.

FIG. 4 is a left side elevation view thereof;

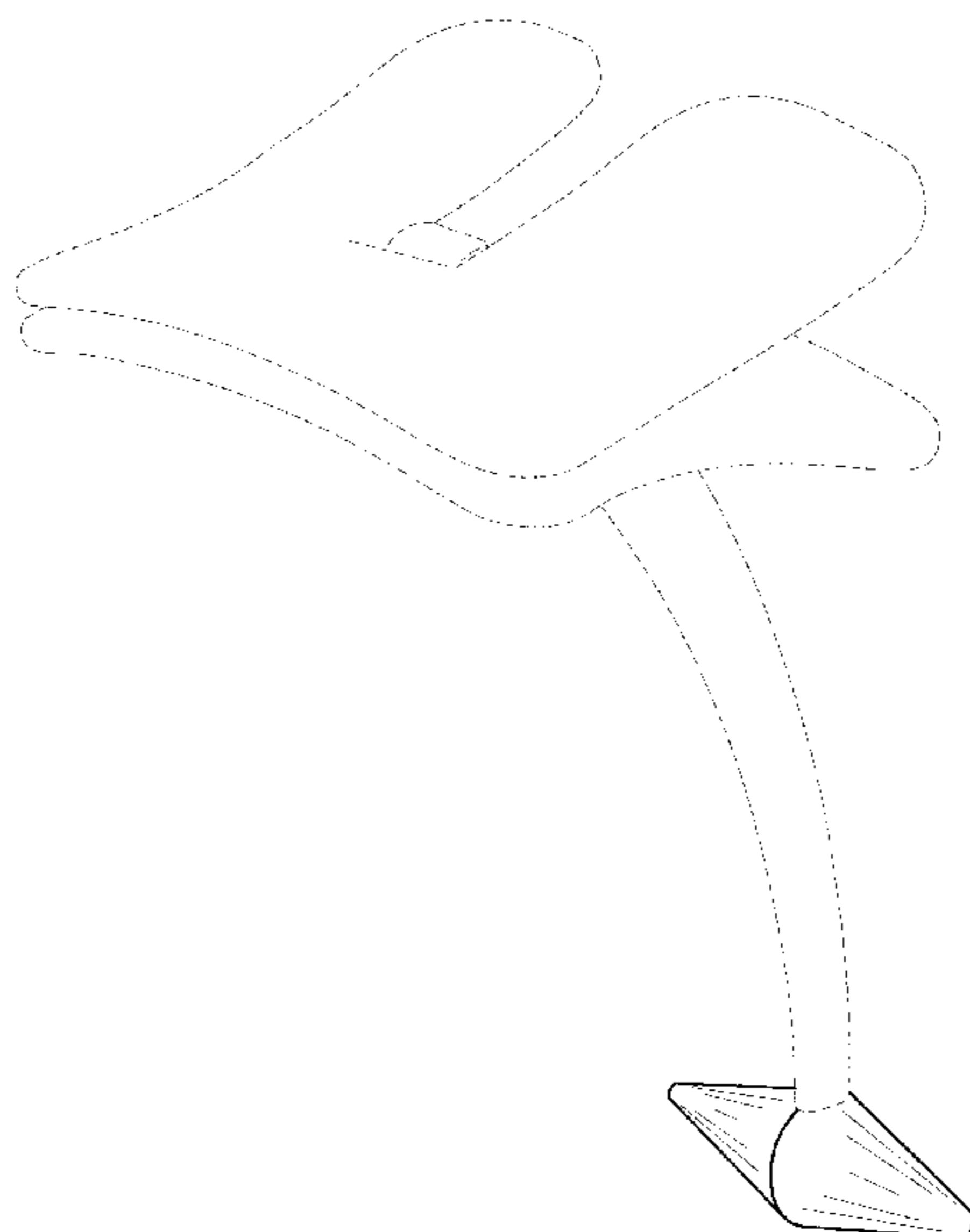
FIG. 5 is a right side elevation view thereof;

FIG. 6 is a top plan view thereof; and,

FIG. 7 is a bottom plan view thereof.

The broken lines are for illustrative purposes only and form no part of the claimed design.

**1 Claim, 4 Drawing Sheets**



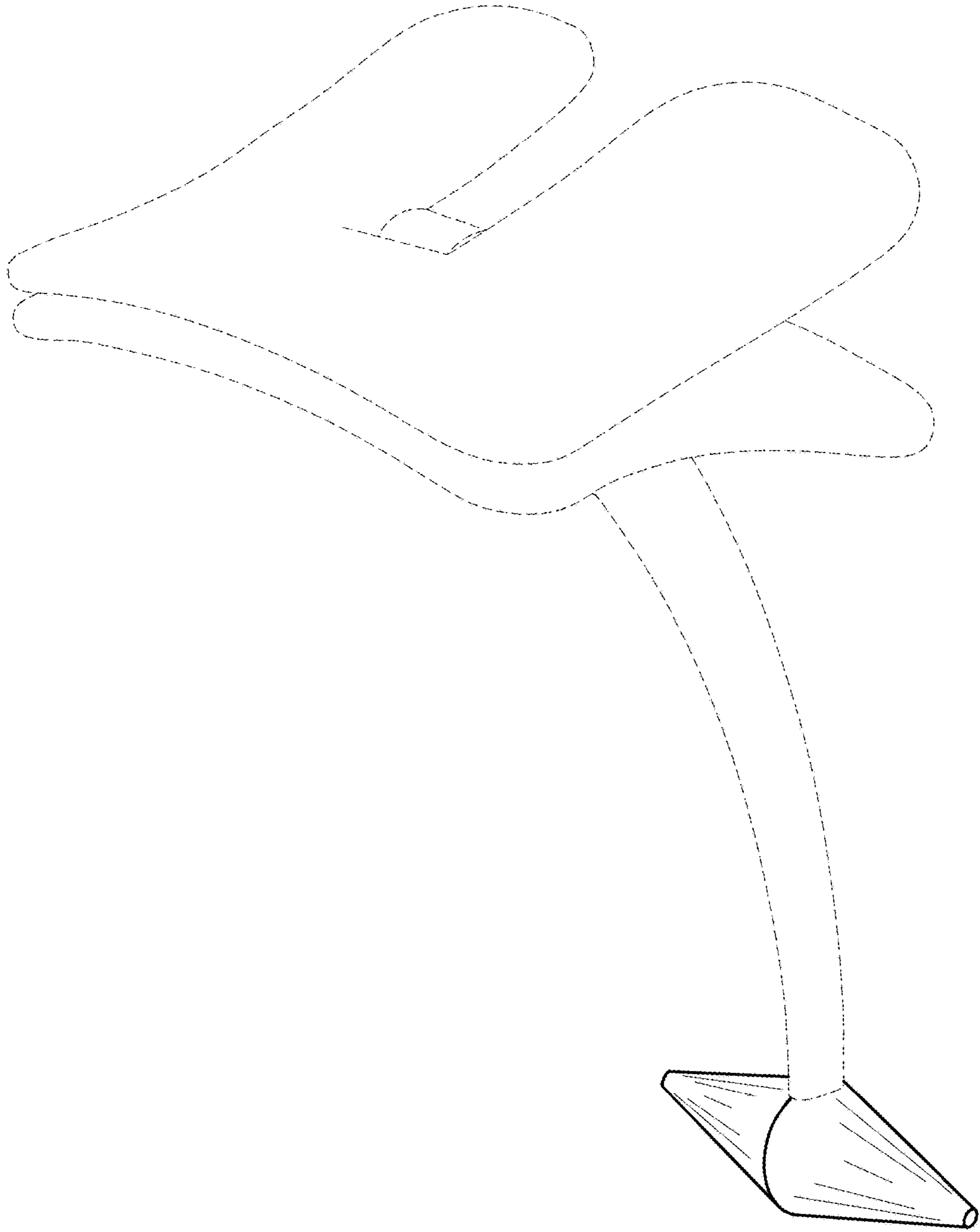
(56)

**References Cited**

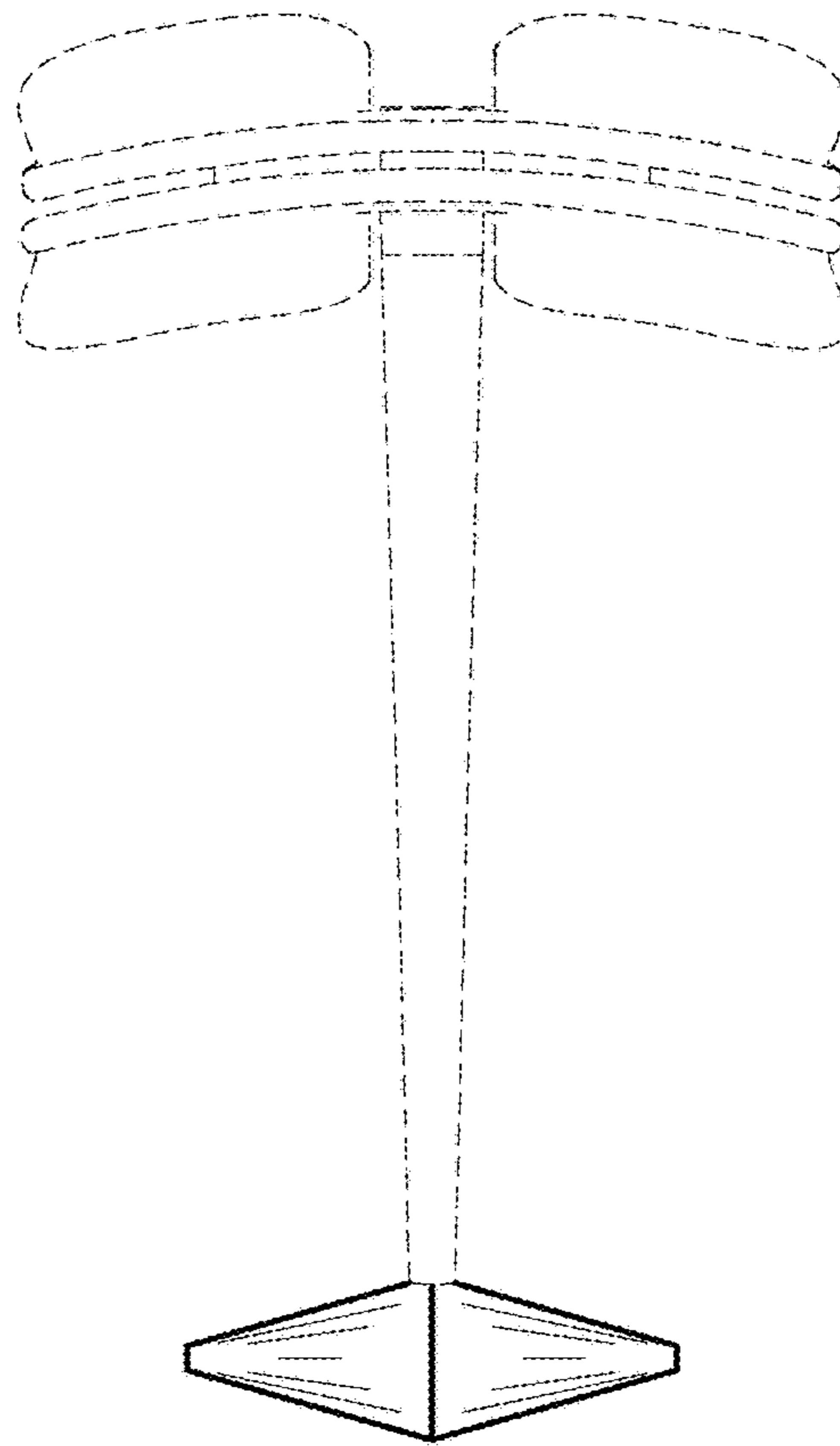
U.S. PATENT DOCUMENTS

5,722,898 A 3/1998 Witten  
D415,234 S \* 10/1999 Feinbloom ..... D21/791  
D443,328 S \* 6/2001 Martin ..... D21/791  
6,390,823 B1 5/2002 Wesenhagen  
6,672,972 B1 1/2004 Stone  
7,803,059 B2 9/2010 Zhang  
7,918,744 B1 4/2011 Rim  
7,997,992 B2 \* 8/2011 Rim ..... A42B 1/24  
473/210  
D649,213 S \* 11/2011 Rim ..... D21/791  
8,376,751 B2 2/2013 Ranciato  
8,690,699 B1 \* 4/2014 Enstad ..... A63B 69/3608  
473/207  
D769,389 S \* 10/2016 Altemus, Jr. .... D21/791  
D772,997 S \* 11/2016 Stassi, Jr. .... D21/791  
2008/0146363 A1 6/2008 Solari

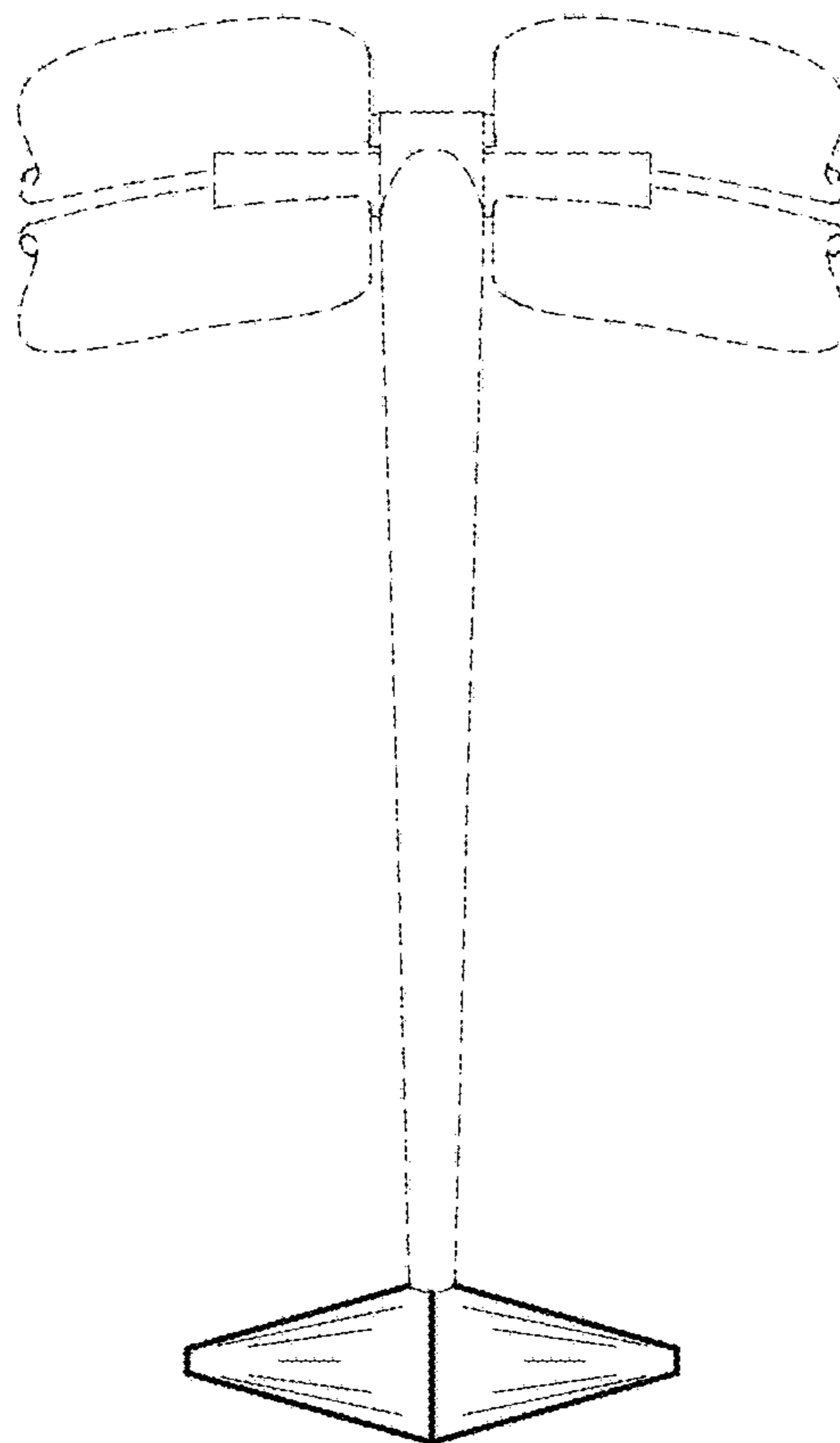
\* cited by examiner



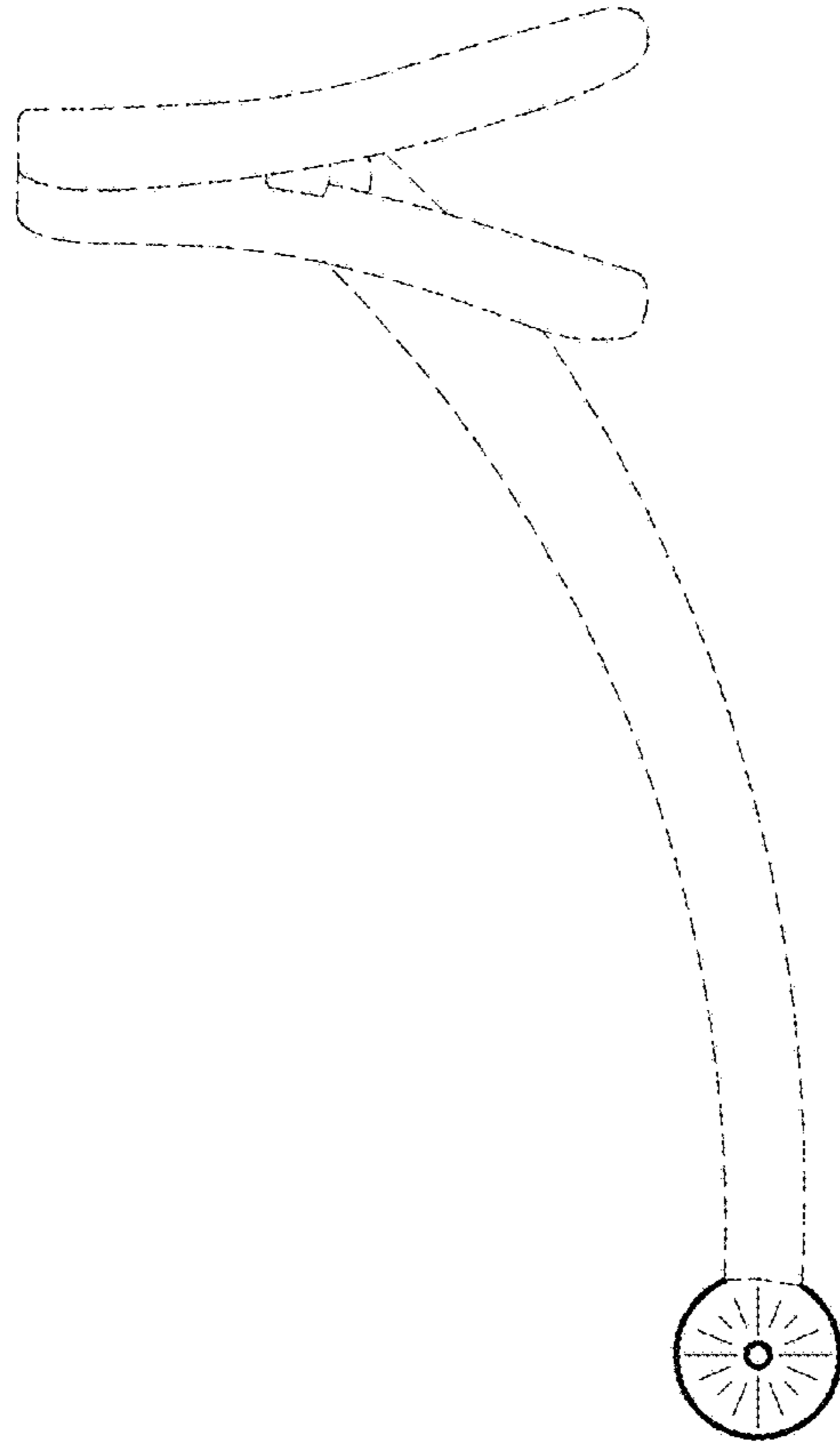
*Fig. 1*



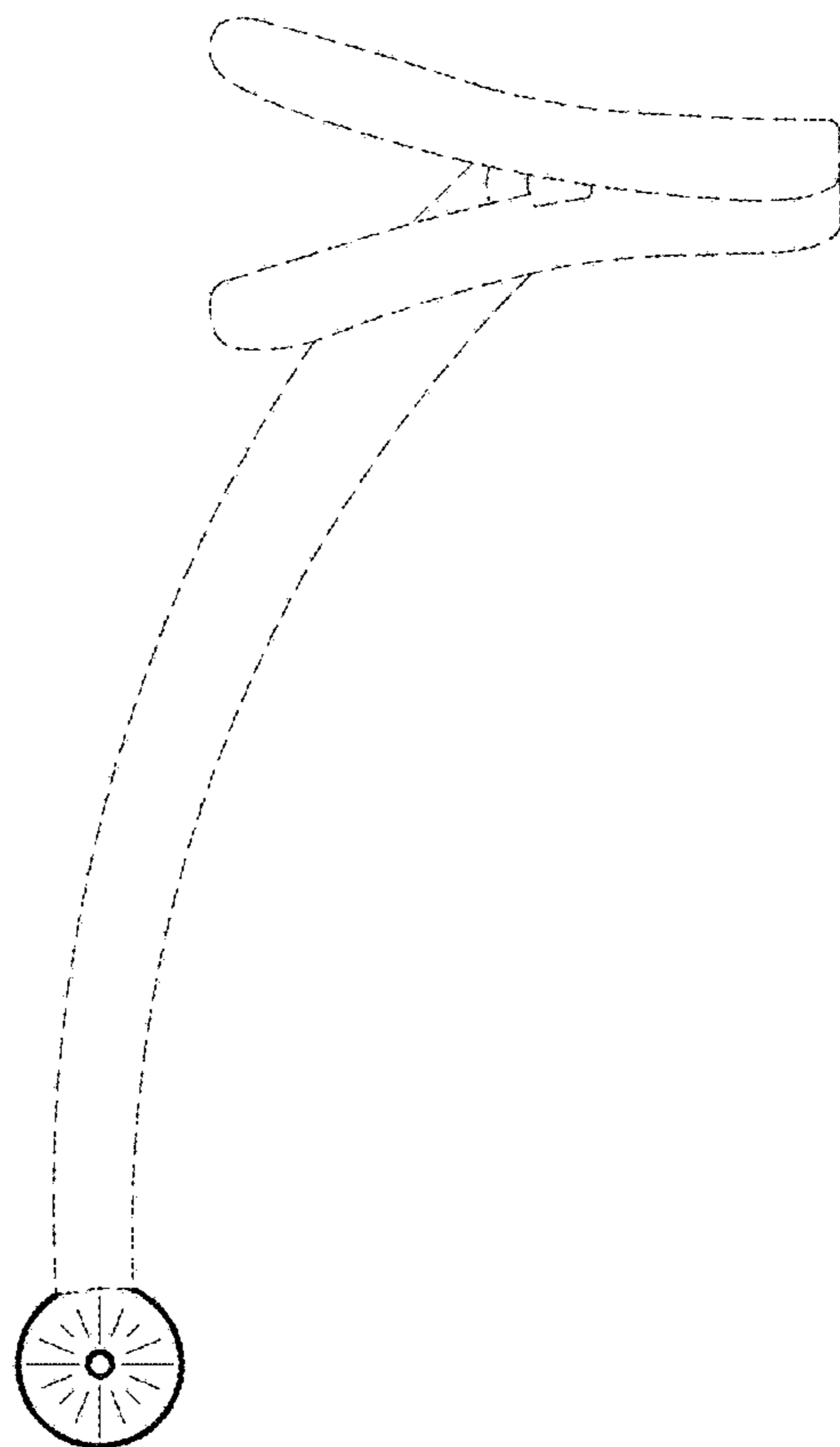
*Fig. 2*



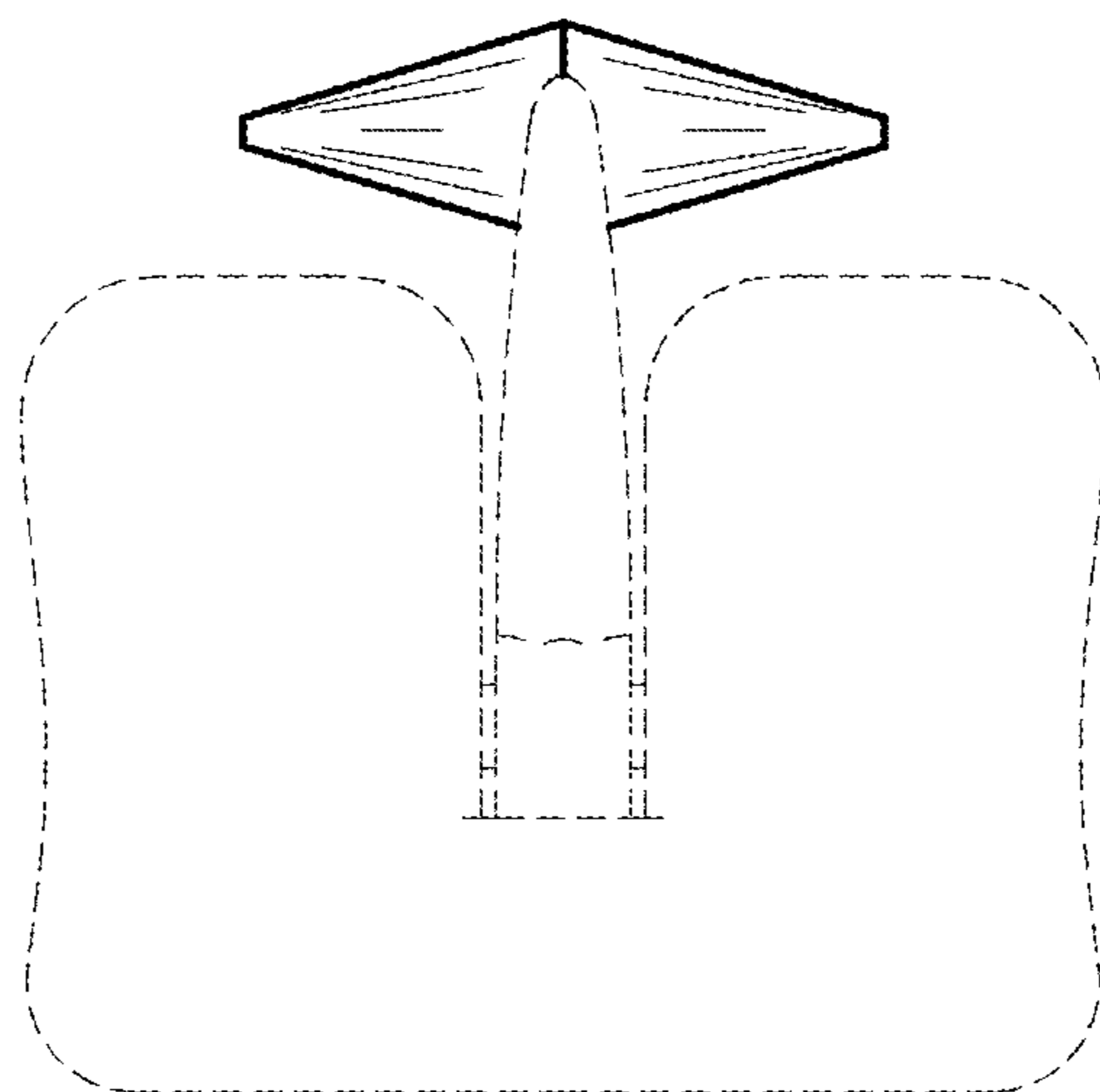
*Fig. 3*



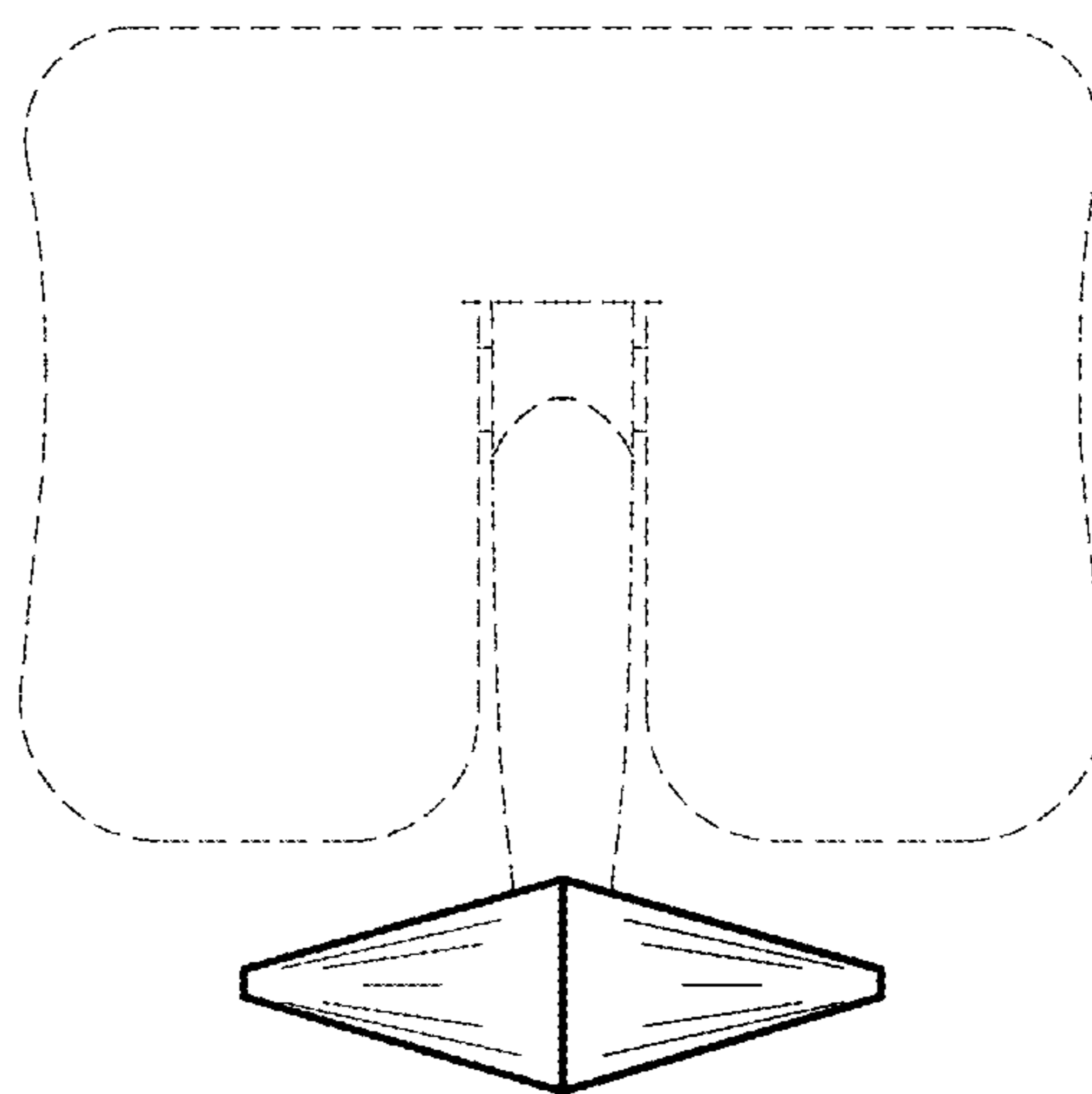
*Fig. 4*



*Fig. 5*



*Fig. 6*



*Fig. 7*