



US00D787615S

(12) **United States Design Patent**
Howard

(10) **Patent No.:** **US D787,615 S**

(45) **Date of Patent:** **** May 23, 2017**

(54) **GOLF PRACTICE AID**

(71) Applicant: **Reed Howard**, Santa Monica, CA (US)

(72) Inventor: **Reed Howard**, Santa Monica, CA (US)

(**) Term: **15 Years**

(21) Appl. No.: **29/554,803**

(22) Filed: **Feb. 16, 2016**

(51) **LOC (10) Cl.** **21-02**

(52) **U.S. Cl.**
USPC **D21/791**

(58) **Field of Classification Search**
USPC D21/789, 791; D2/865, 866, 882, 883,
D2/891, 893
CPC A63B 69/3608; A63B 2071/0694; G02C
3/02
See application file for complete search history.

(56) **References Cited**

U.S. PATENT DOCUMENTS

1,169,188 A * 1/1916 Peck G01C 3/12
2/422

2,330,442 A 9/1943 Nero

2,717,385 A 9/1955 Linster

3,109,654 A 11/1963 Comitz

3,178,187 A 4/1965 Cardwell

3,437,339 A * 4/1969 Starck A63B 69/3608
2/195.1

3,670,417 A 6/1972 Rogers

3,729,199 A 4/1973 Granberg

3,826,502 A 7/1974 Sorge

3,951,414 A 4/1976 Nunez

4,063,740 A 12/1977 Mader

4,079,940 A 3/1978 Arakaki

D254,212 S 2/1980 Jones

4,298,201 A * 11/1981 Palinkas A63B 69/3608
473/210

4,307,885 A 12/1981 Pidcock

4,696,111 A 9/1987 Gardner

4,739,991 A 4/1988 Flinn, Jr.

4,762,325 A * 8/1988 McCleery A63B 69/3608
2/209.13

4,789,159 A 12/1988 Kane

4,790,539 A 12/1988 Clark

4,896,375 A 1/1990 Colucci

4,936,584 A 6/1990 Ewald et al.

5,171,152 A * 12/1992 McCleery A63B 69/3608
2/209.13

5,253,870 A * 10/1993 Bedney A63B 69/3608
273/DIG. 17

D352,757 S * 11/1994 Gerhardt D21/792

D359,334 S * 6/1995 Taylor D21/791

5,467,992 A 11/1995 Harkness

5,538,250 A * 7/1996 Putz A63B 69/3608
473/210

(Continued)

FOREIGN PATENT DOCUMENTS

WO WO2014165716 A2 10/2014

Primary Examiner — Mitchell Siegel

(74) *Attorney, Agent, or Firm* — Gallagher & Dawsey
Co., LPA; David J. Dawsey; Michael J. Gallagher

(57) **CLAIM**

I claim the ornamental design for a golf practice aid, as shown and described.

DESCRIPTION

FIG. 1 is an isometric view of a golf practice aid showing the new design;

FIG. 2 is a front elevation view thereof; and

FIG. 3 is a rear elevation view thereof.

FIG. 4 is a left side elevation view thereof;

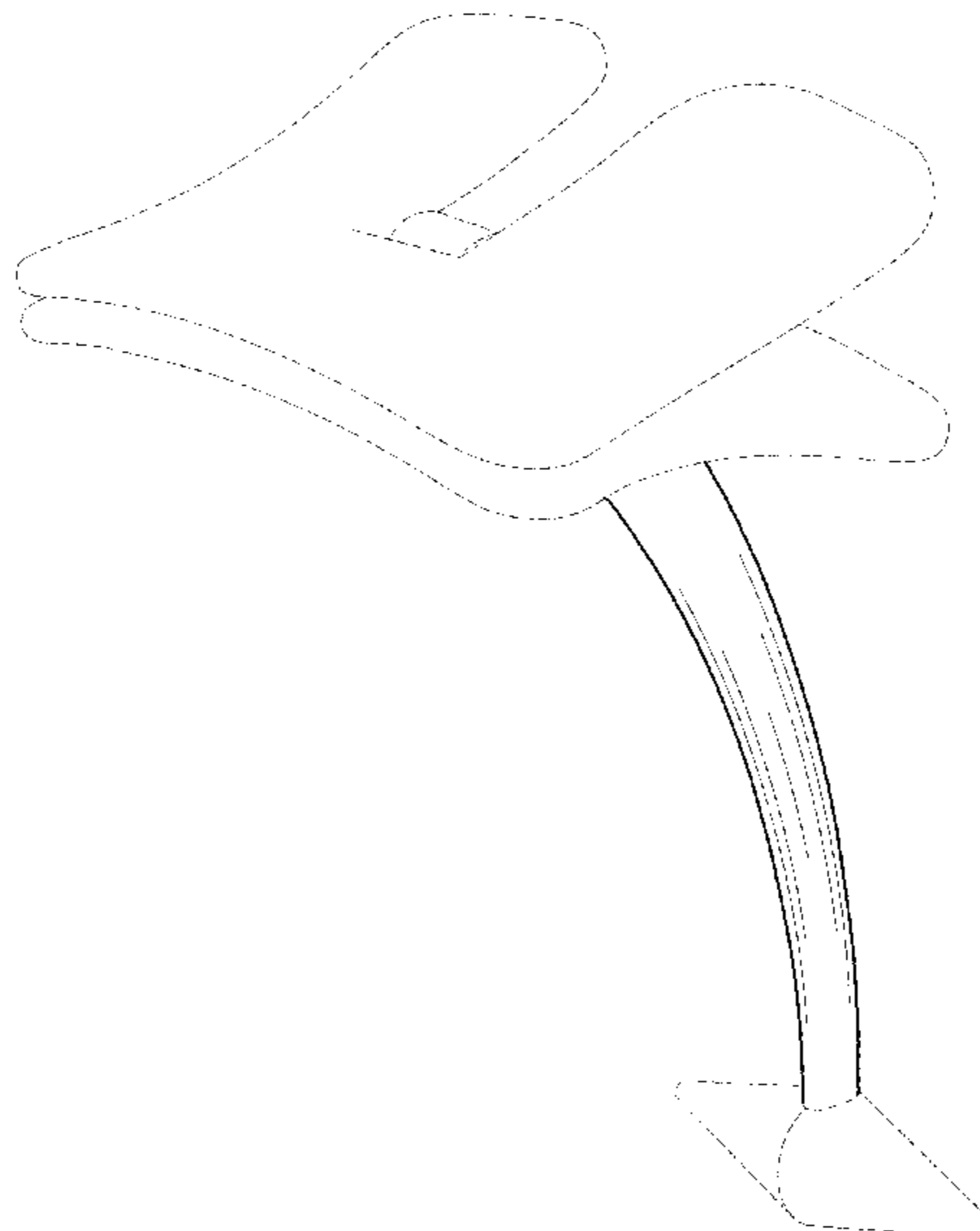
FIG. 5 is a right side elevation view thereof;

FIG. 6 is a top plan view thereof; and,

FIG. 7 is a bottom plan view thereof.

The broken lines are for illustrative purposes only and form no part of the claimed design.

1 Claim, 4 Drawing Sheets



(56)

References Cited

U.S. PATENT DOCUMENTS

5,722,898 A 3/1998 Witten
D415,234 S * 10/1999 Feinbloom D21/791
D443,328 S * 6/2001 Martin D21/791
6,390,823 B1 5/2002 Wesenhagen
6,672,972 B1 1/2004 Stone
7,803,059 B2 9/2010 Zhang
7,918,744 B1 4/2011 Rim
7,997,992 B2 * 8/2011 Rim A42B 1/24
473/210
D649,213 S * 11/2011 Rim D21/791
8,376,751 B2 2/2013 Ranciato
8,690,699 B1 * 4/2014 Enstad A63B 69/3608
473/207
D769,389 S * 10/2016 Altemus, Jr. D21/791
D772,997 S * 11/2016 Stassi, Jr. D21/791
2008/0146363 A1 6/2008 Solari

* cited by examiner

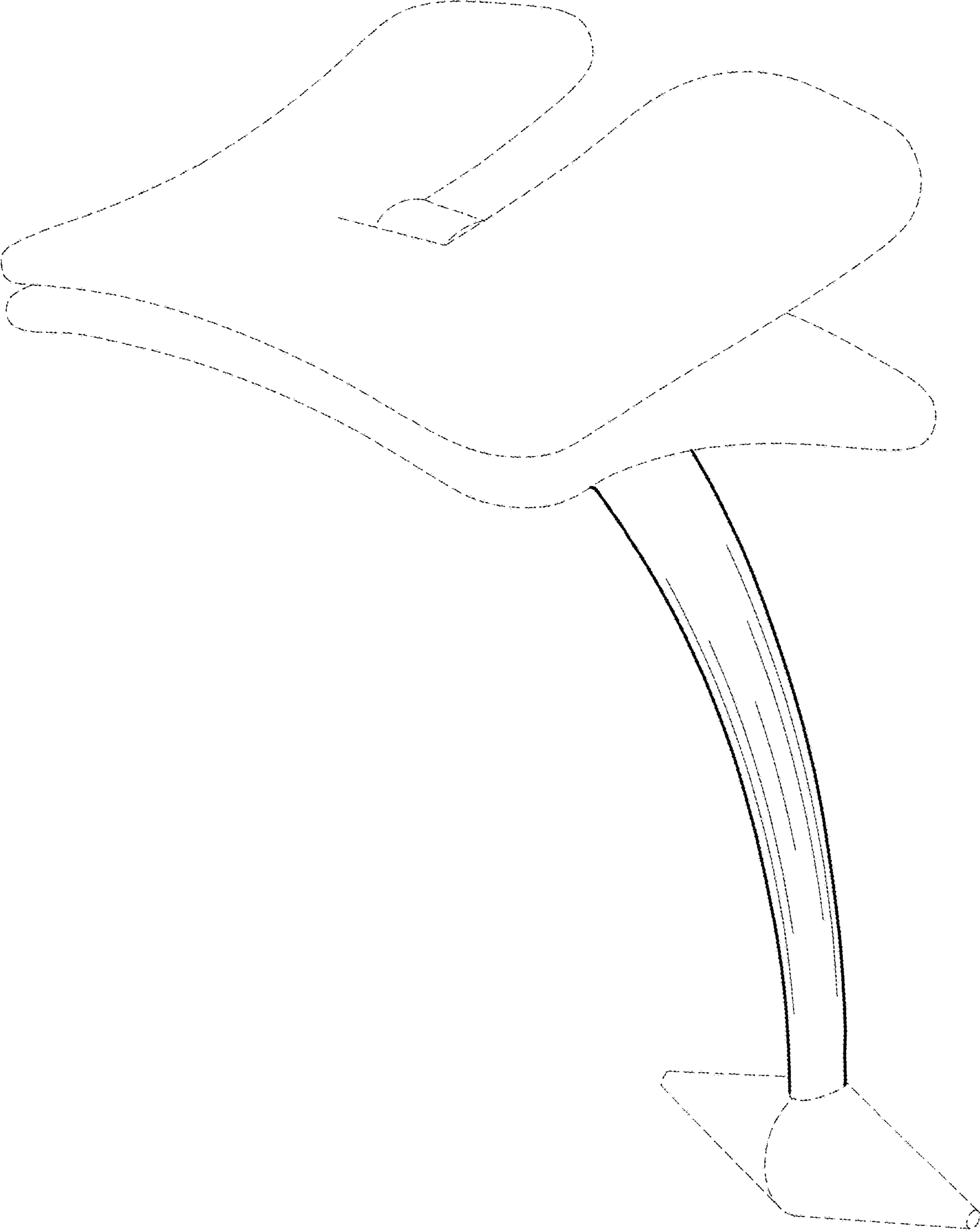


Fig. 1

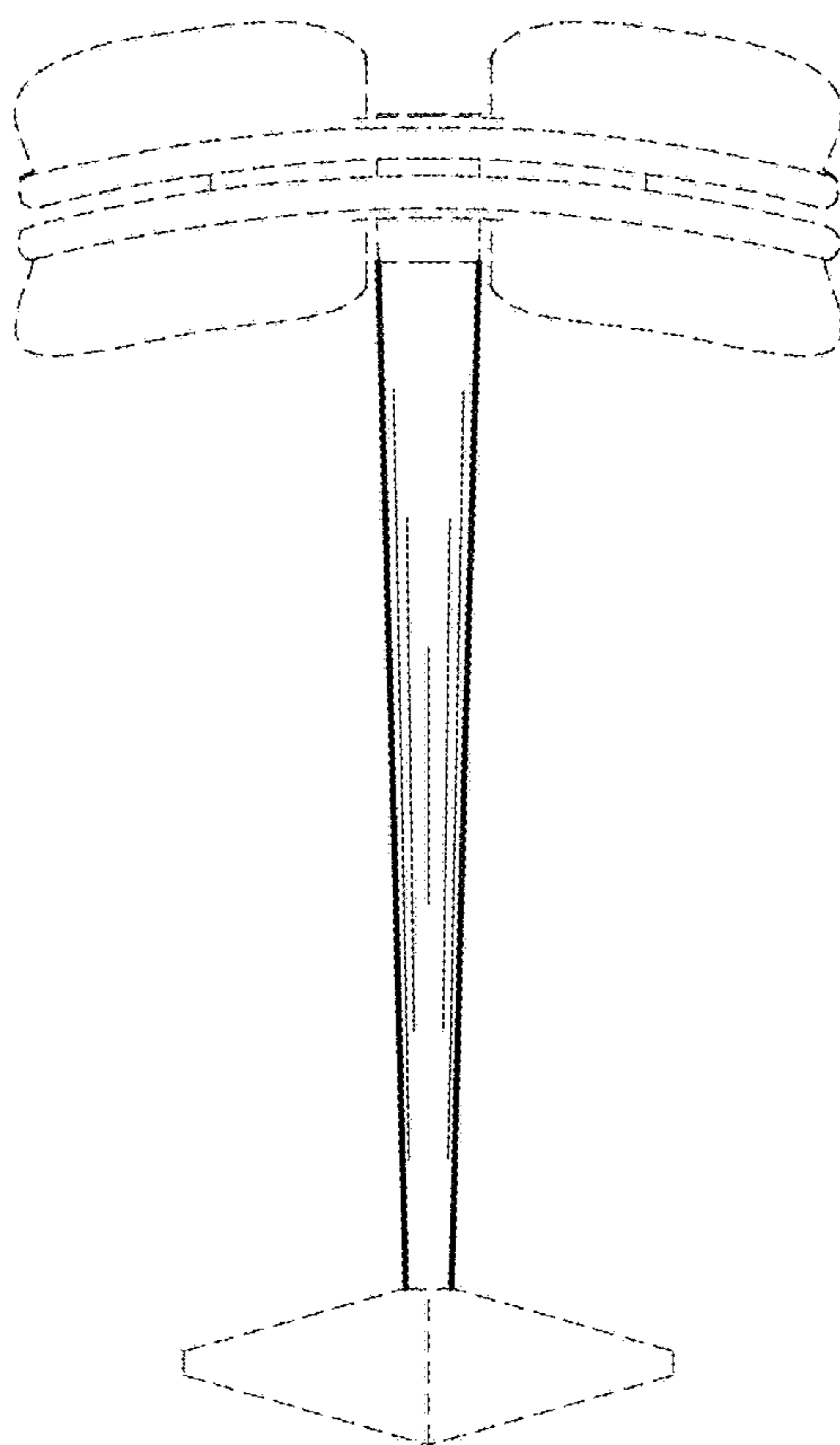


Fig. 2

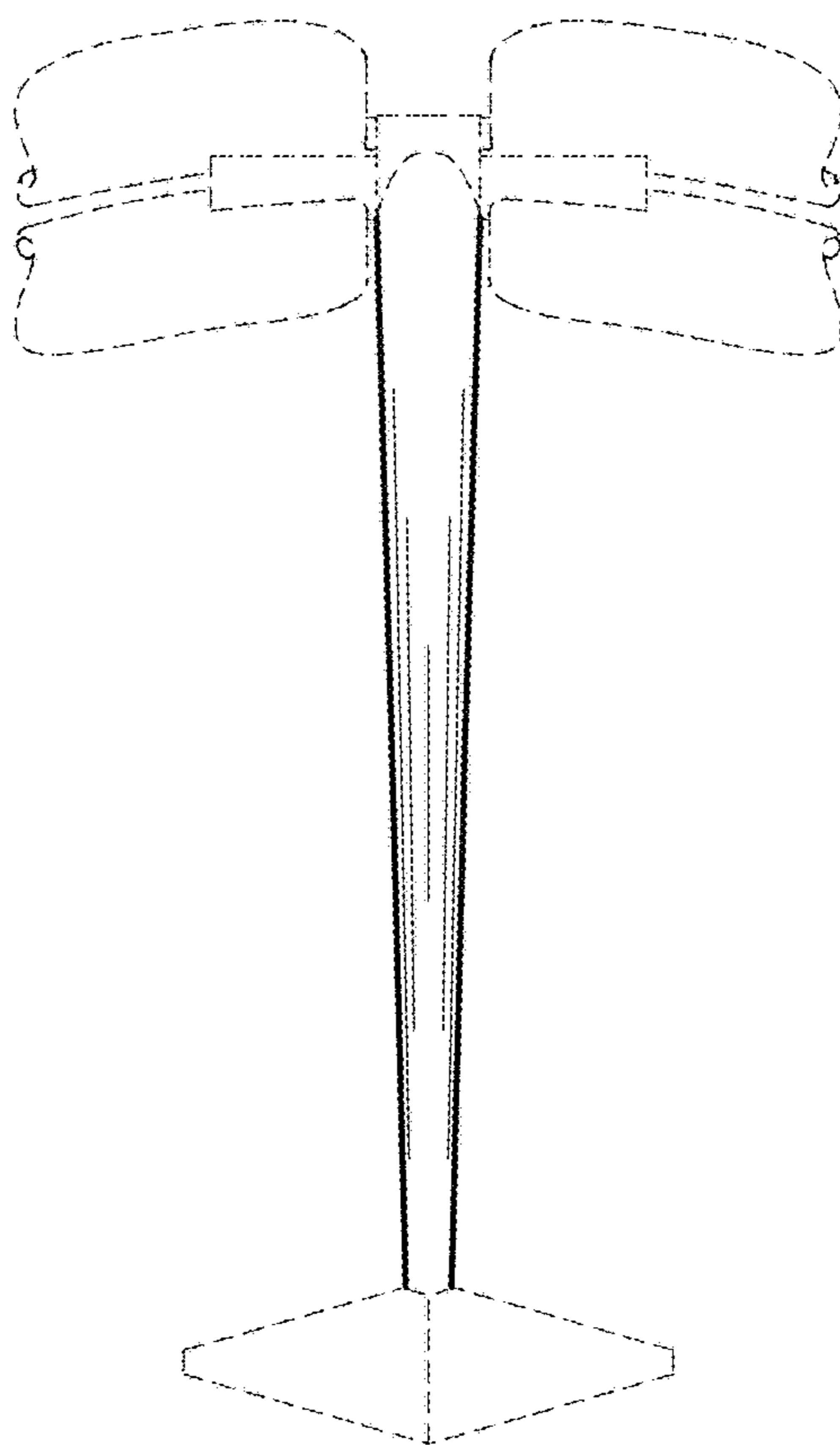


Fig. 3

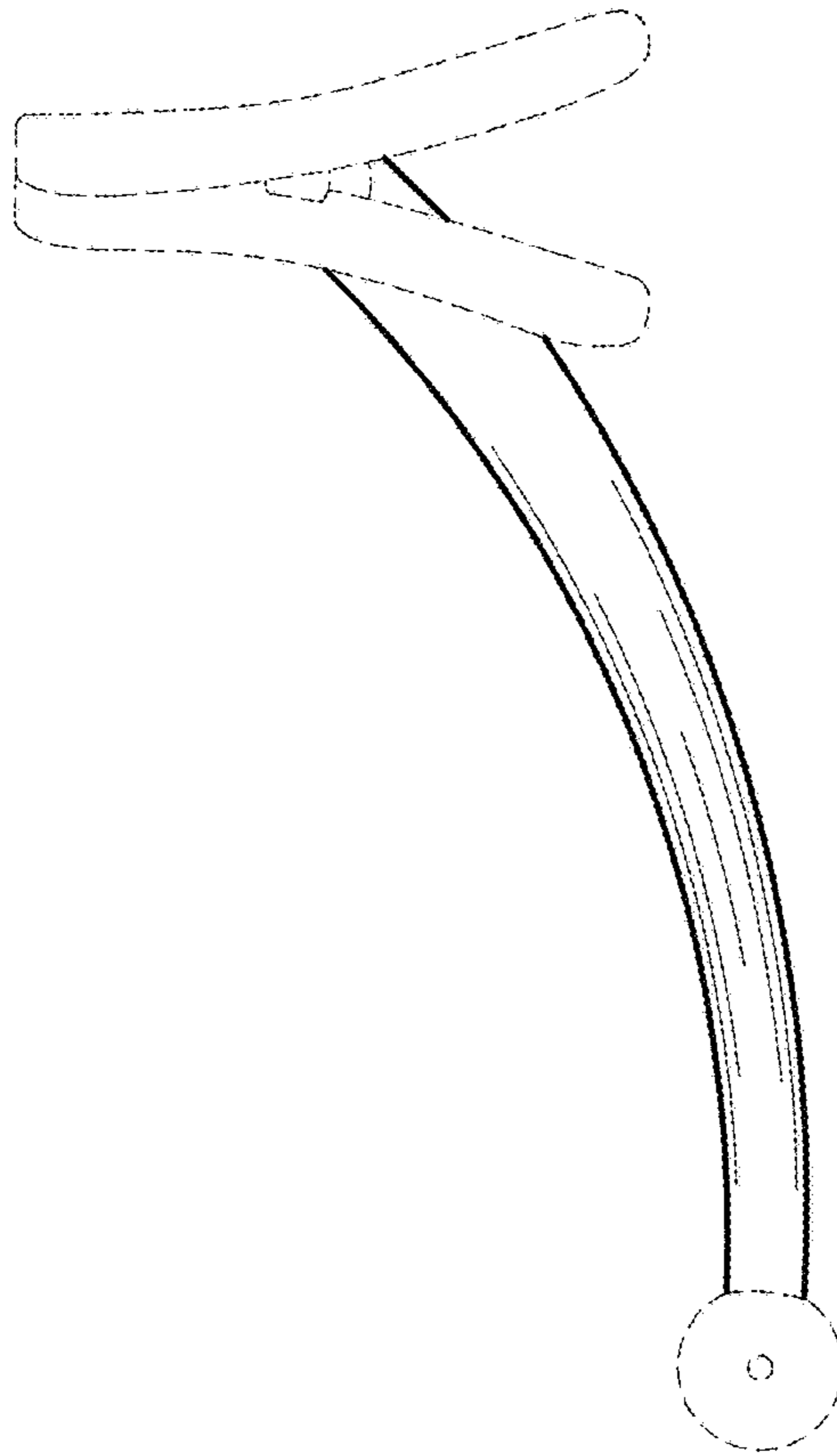


Fig. 4

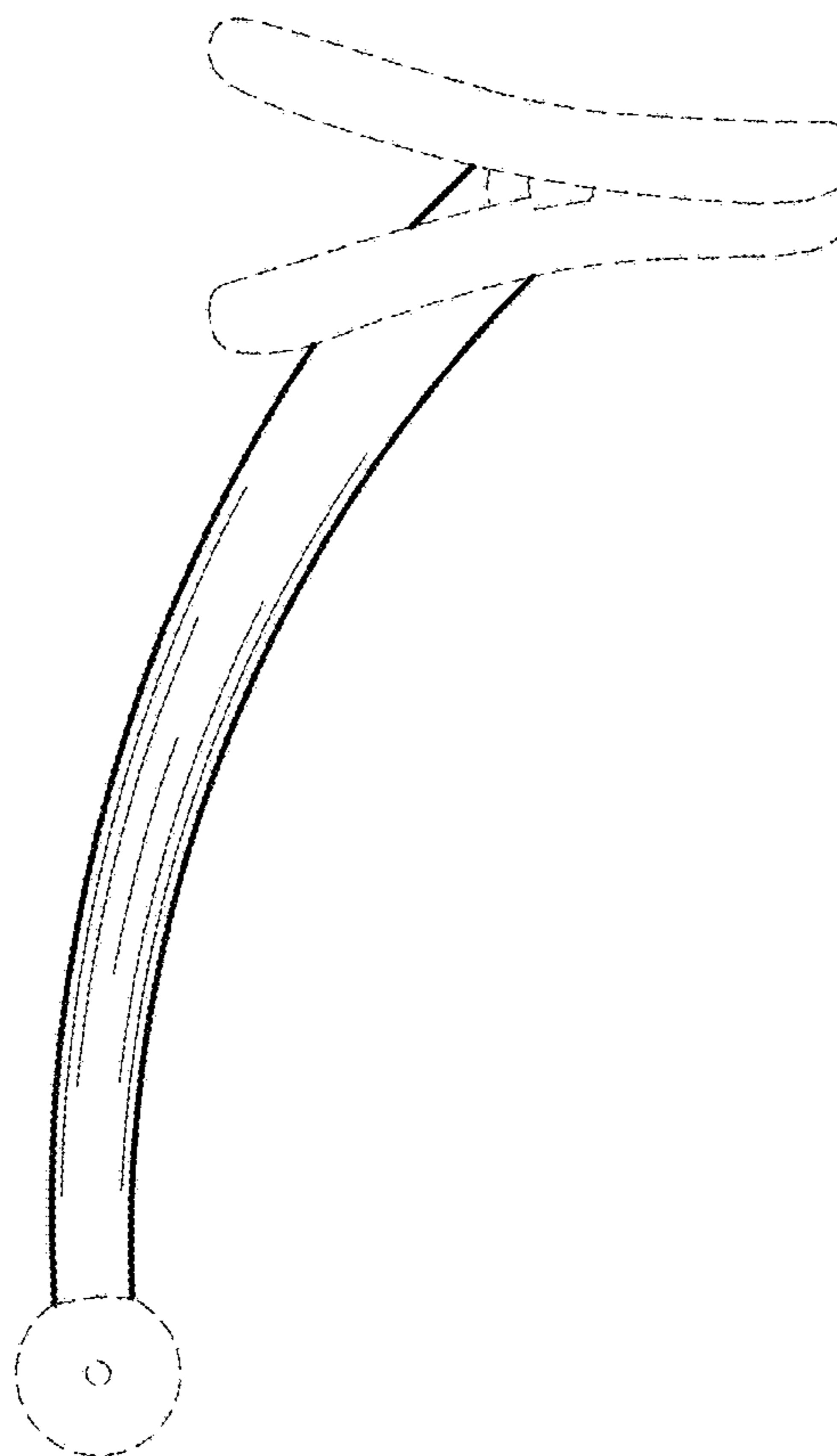


Fig. 5

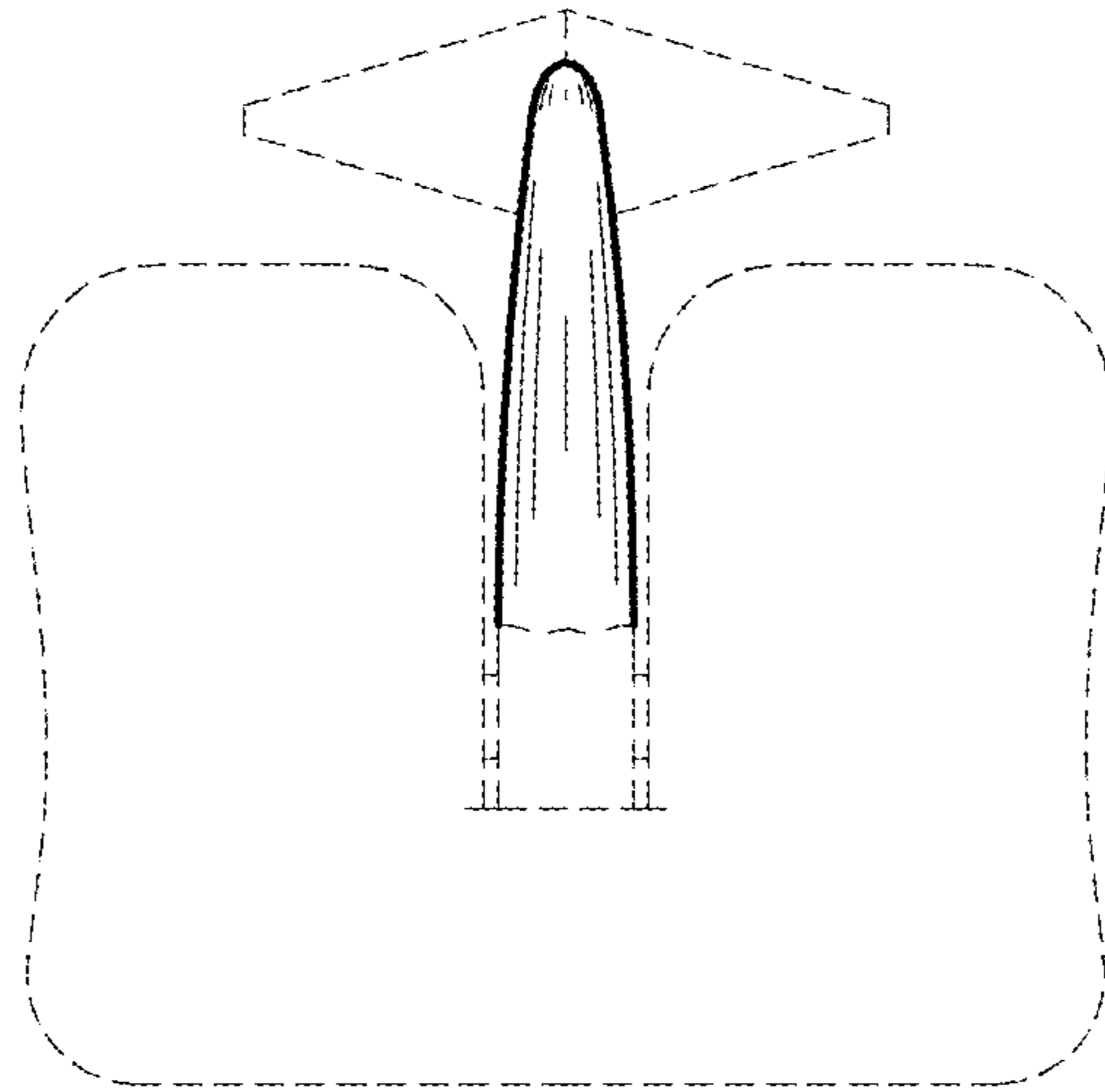


Fig. 6

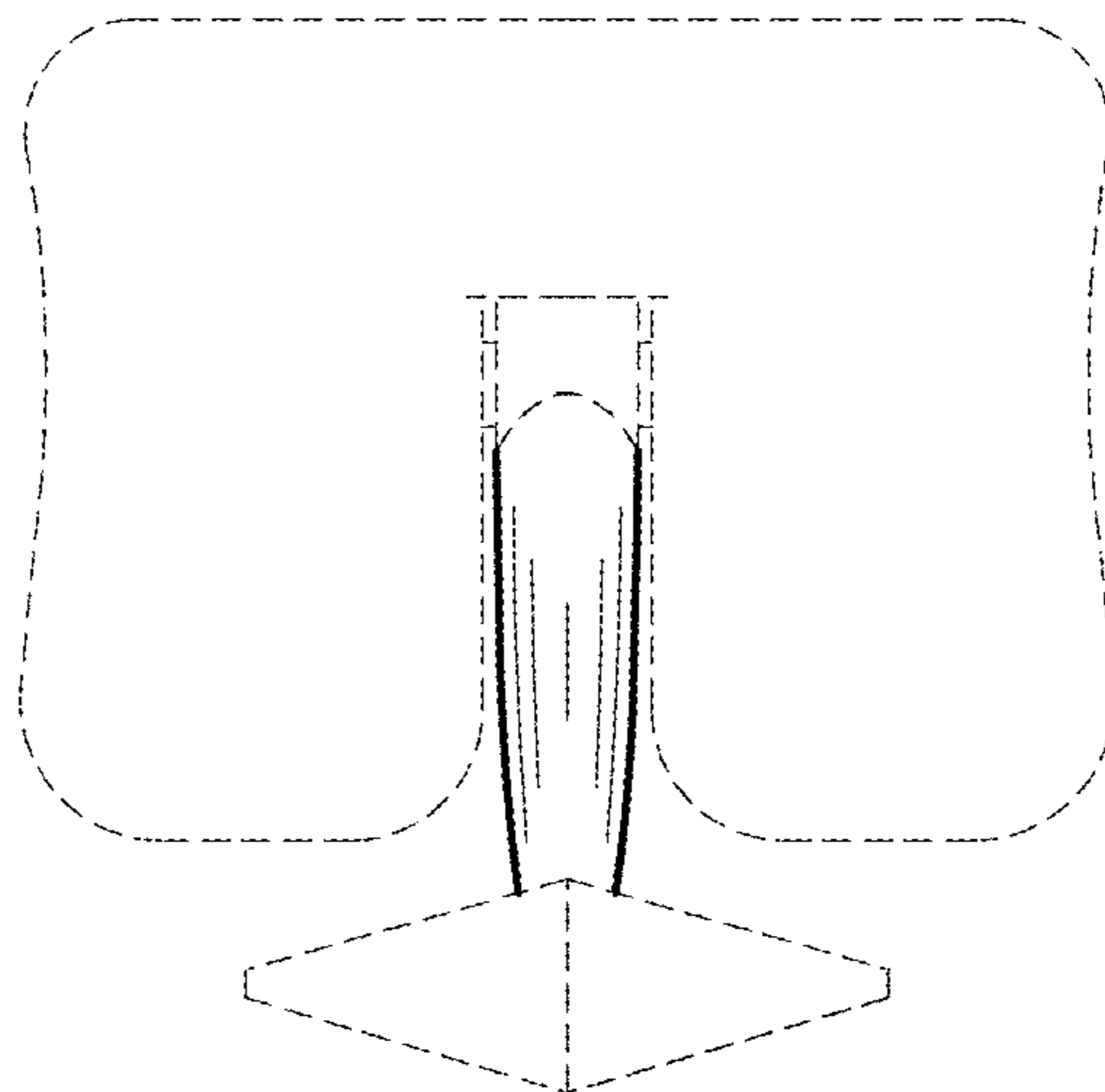


Fig. 7