



US00D787614S

(12) **United States Design Patent** (10) **Patent No.:** **US D787,614 S**  
**Zhu** (45) **Date of Patent:** **\*\* May 23, 2017**

(54) **SLIDING ABDOMINAL MACHINE**

2208/0233; A63B 21/1492; A63B 23/0233; Y10S 482/907

See application file for complete search history.

(71) Applicant: **Zhejiang Raytheon Technology Co., Ltd.**, Zhejiang (CN)

(56) **References Cited**

(72) Inventor: **Xiangjun Zhu**, Zhejiang (CN)

U.S. PATENT DOCUMENTS

(73) Assignee: **Zhejiang Raytheon Technology Co., Ltd.**, Zhejiang (CN)

4,925,185 A \* 5/1990 Gongwer ..... A63B 23/0405  
 482/131  
 D647,153 S \* 10/2011 Mishan ..... D21/687  
 D659,777 S \* 5/2012 Watterson ..... D21/689  
 D664,615 S \* 7/2012 Chuang ..... D21/687  
 D671,177 S \* 11/2012 Sip ..... D21/689  
 D705,367 S \* 5/2014 Ho ..... D21/687  
 D709,969 S \* 7/2014 Ho ..... D21/668  
 8,814,763 B2 \* 8/2014 Ho ..... A63B 23/0216  
 482/131  
 8,870,726 B2 \* 10/2014 Watterson ..... A63B 22/14  
 482/132  
 8,944,981 B2 \* 2/2015 Ho ..... A63B 23/0227  
 482/132  
 D723,638 S \* 3/2015 Zhu ..... D21/690  
 D724,678 S \* 3/2015 Miller, Jr. .... D21/691  
 D727,442 S \* 4/2015 Ho ..... D21/687

(\*\*) Term: **15 Years**

(21) Appl. No.: **29/541,524**

(22) Filed: **Oct. 5, 2015**

(30) **Foreign Application Priority Data**

Apr. 24, 2015 (CN) ..... 2015 3 0112904

(51) **LOC (10) Cl.** ..... **21-02**

(52) **U.S. Cl.**  
USPC ..... **D21/688**

(58) **Field of Classification Search**  
 USPC ..... 482/142, 122, 115, 108, 145, 140, 105,  
 482/111, 123, 121, 126, 144, 143, 148,  
 482/106, 130, 129, 132, 96, 131, 133,  
 482/124, 110, 127, 72, 147, 51, 71, 139,  
 482/97, 92, 137, 98, 1, 907, 908, 95, 112,  
 482/141, 146, 109; D21/687, 662, 690,  
 D21/676, 423, 691, 686, 688, 681;  
 273/449; 472/103; 297/259.1, 16.1, 175,  
 297/445.1, 353, 440.15, 215.12, 313, 328,  
 297/383, 423.46; 140/121, 122, 123, 124,  
 140/90; 601/24, 49, 120, 131, 46; 108/6;  
 248/397; 292/338, 313; D6/353  
 CPC ..... A63B 23/0211; A63B 21/0552; A63B

(Continued)

*Primary Examiner* — Robert M Spear

*Assistant Examiner* — Ryan Harvey

(74) *Attorney, Agent, or Firm* — Muncy, Geissler, Olds & Lowe, P.C.

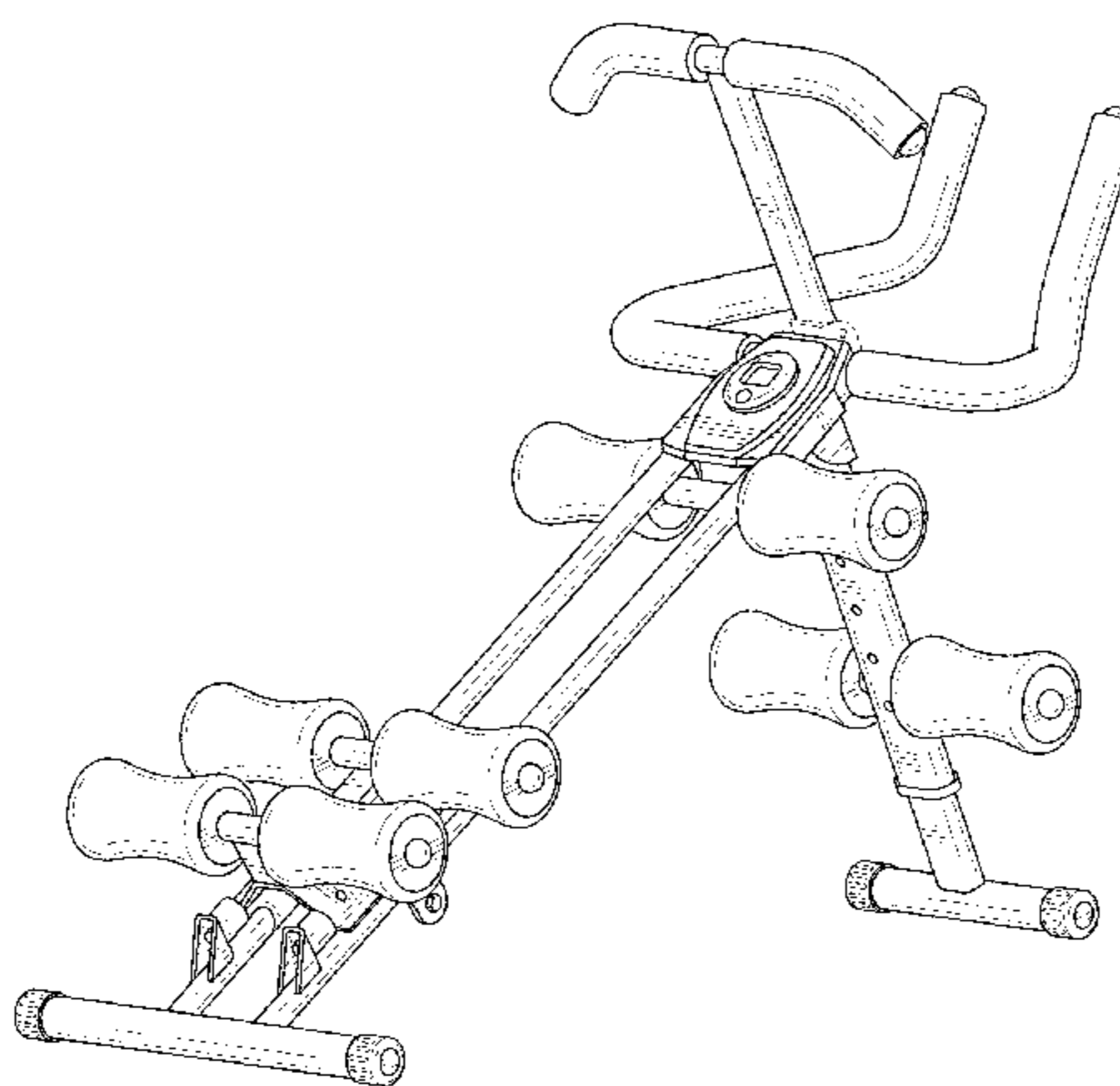
(57) **CLAIM**

The ornamental design for a sliding abdominal machine, as shown and described.

**DESCRIPTION**

FIG. 1 is a front, right perspective view of a sliding abdominal machine showing my new design;  
 FIG. 2 is a front elevational view thereof;  
 FIG. 3 is a rear elevational view thereof;  
 FIG. 4 is a left side view thereof;  
 FIG. 5 is a right side view thereof;  
 FIG. 6 is a top plan view thereof; and,  
 FIG. 7 is a bottom plan view thereof.

(Continued)



The broken lines illustrate portions of the sliding abdominal machine which form no part of the claimed design.

**1 Claim, 7 Drawing Sheets**

(56)

**References Cited**

U.S. PATENT DOCUMENTS

D729,887	S *	5/2015	Zeng .....	D21/686
D730,458	S *	5/2015	Zhu .....	D21/690
D745,615	S *	12/2015	Ho .....	D21/686
2008/0070766	A1 *	3/2008	Brown .....	A63B 21/068 482/140
2012/0225759	A1 *	9/2012	Tsai .....	A63B 21/0726 482/131
2013/0130875	A1 *	5/2013	Chou .....	A63B 21/068 482/139
2014/0005007	A1 *	1/2014	Ho .....	A63B 21/00 482/96
2014/0005008	A1 *	1/2014	Ho .....	A63B 22/205 482/96
2014/0066275	A1 *	3/2014	Miller, Jr. ....	A63B 21/068 482/142
2014/0100091	A1 *	4/2014	Ho .....	A63B 21/068 482/142

\* cited by examiner

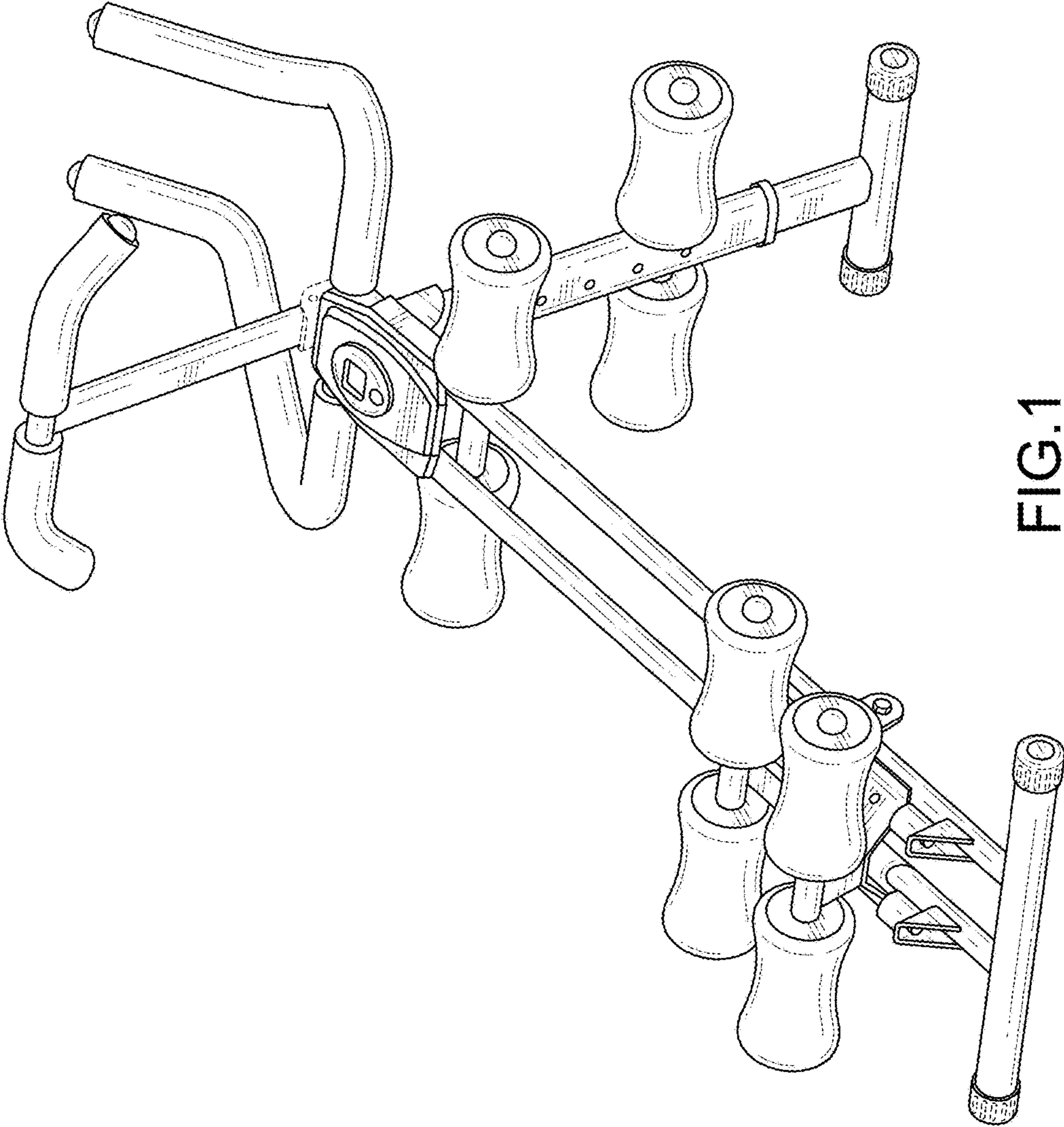


FIG.1

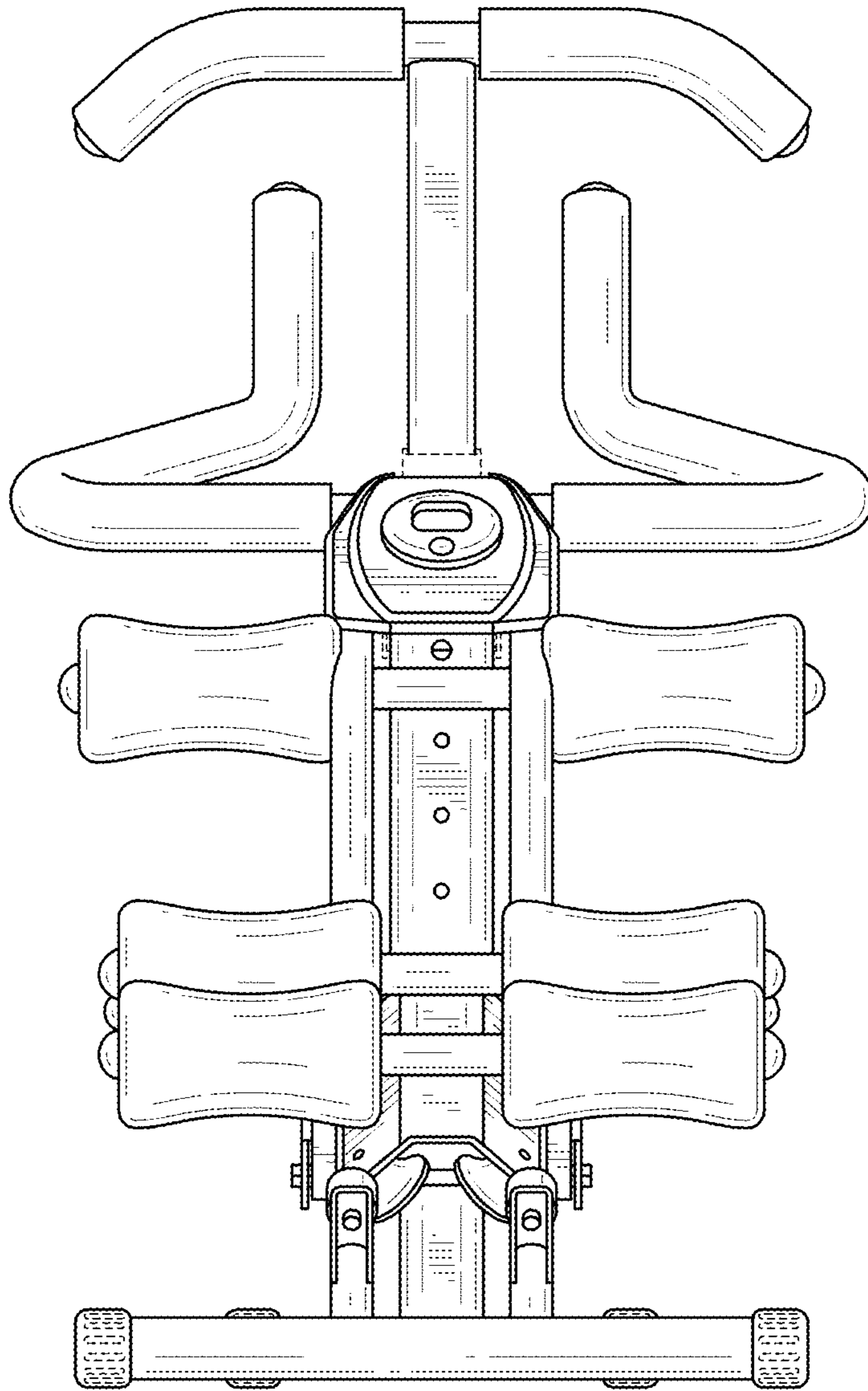


FIG.2



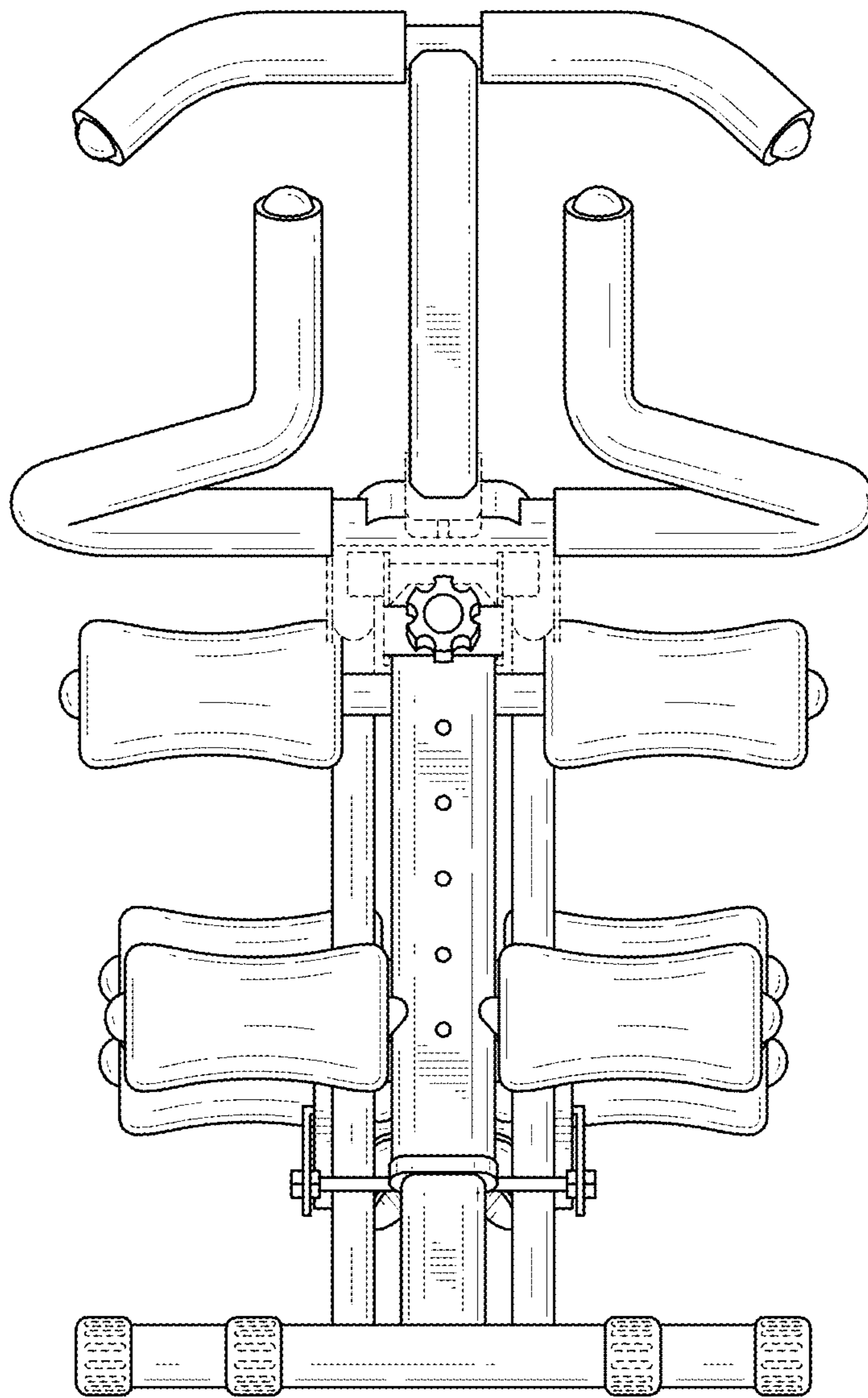


FIG.3

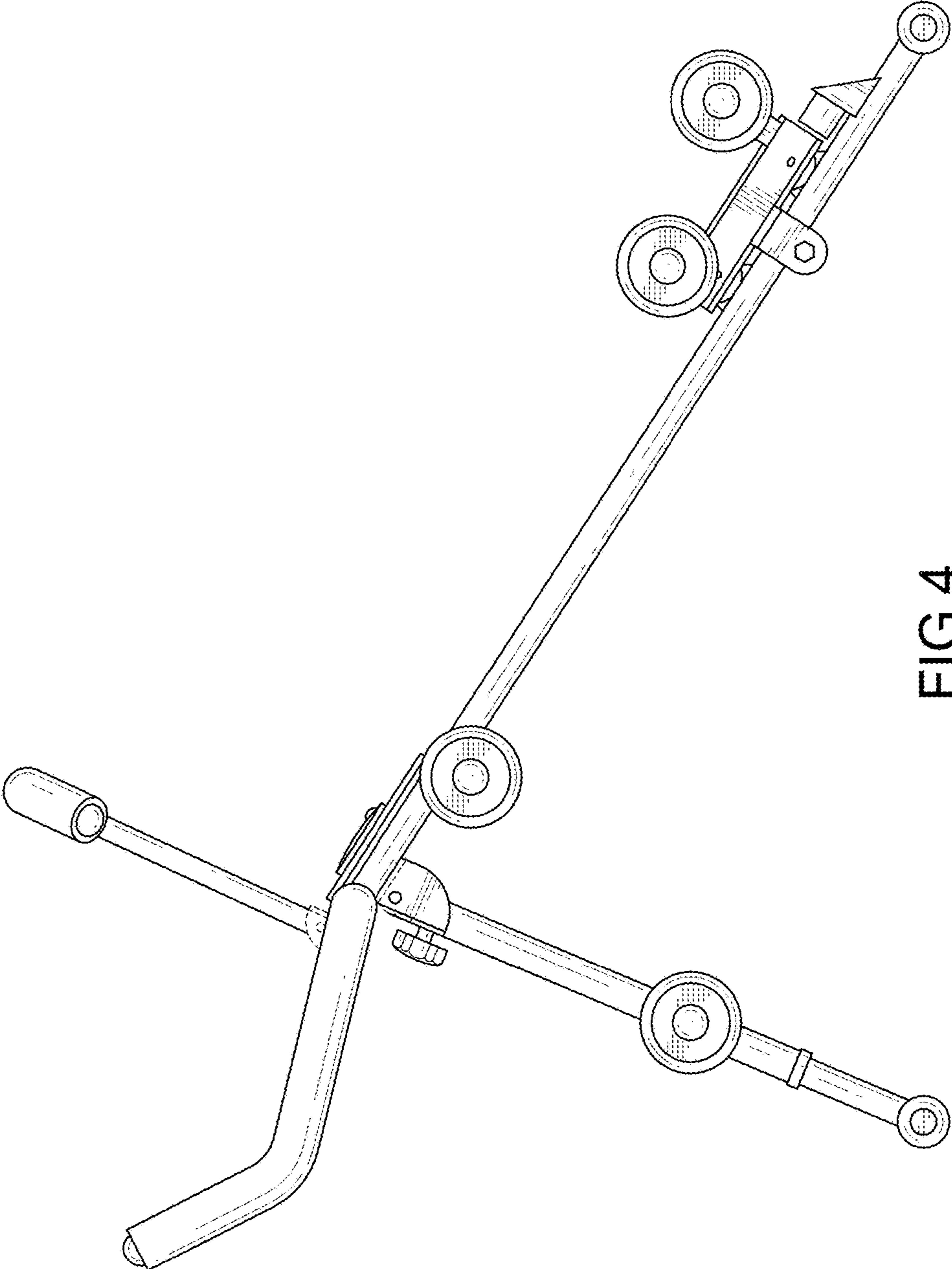


FIG.4

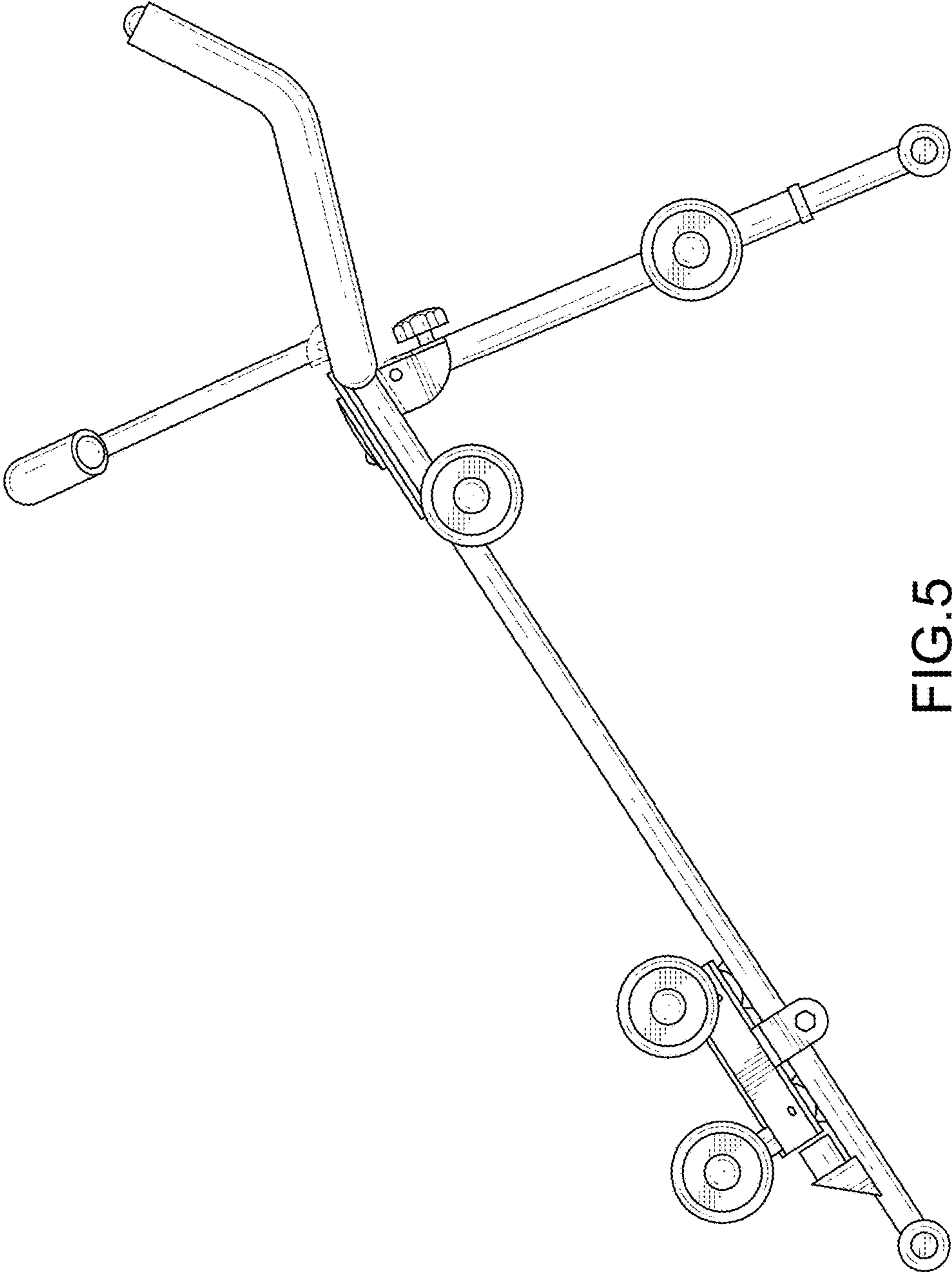


FIG.5

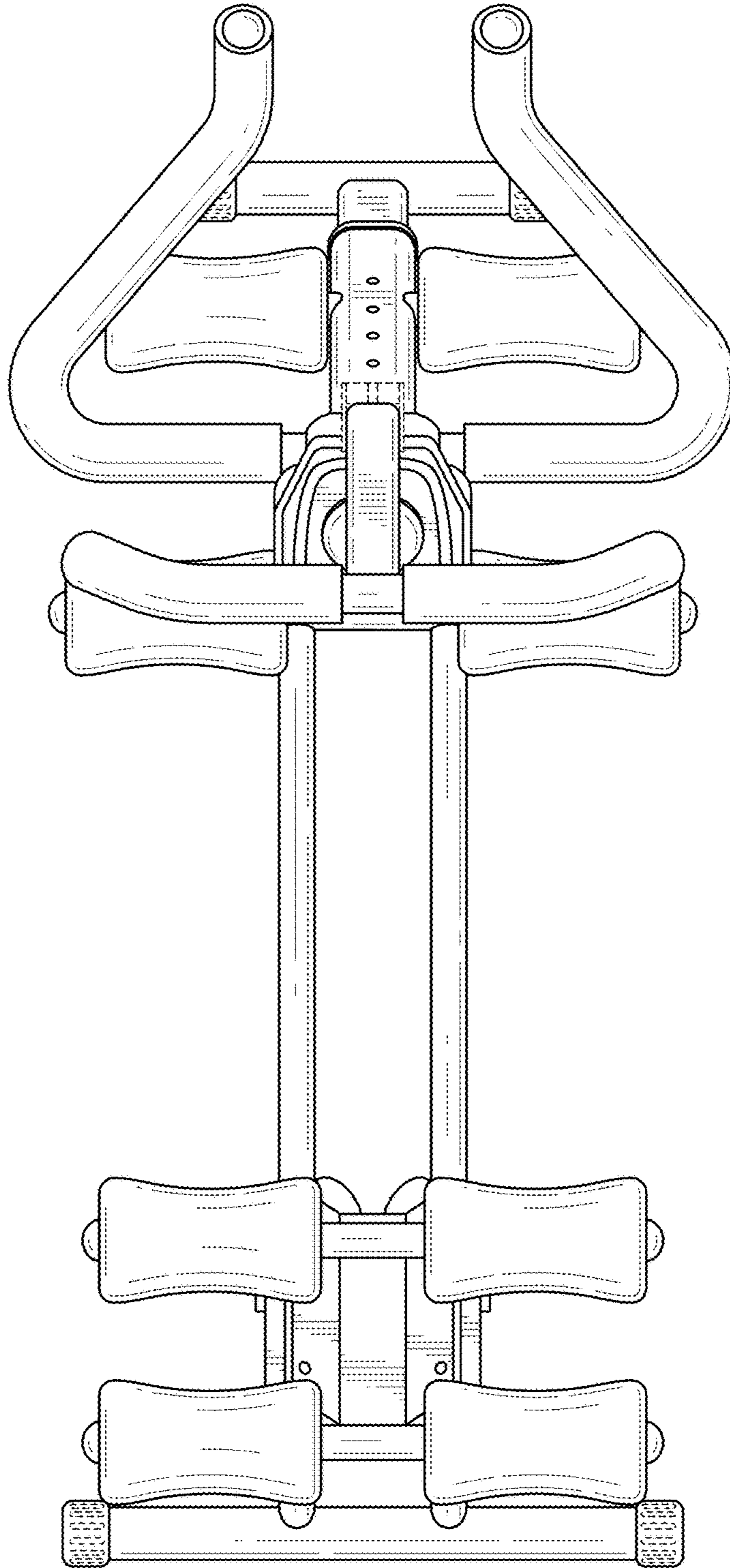


FIG.6



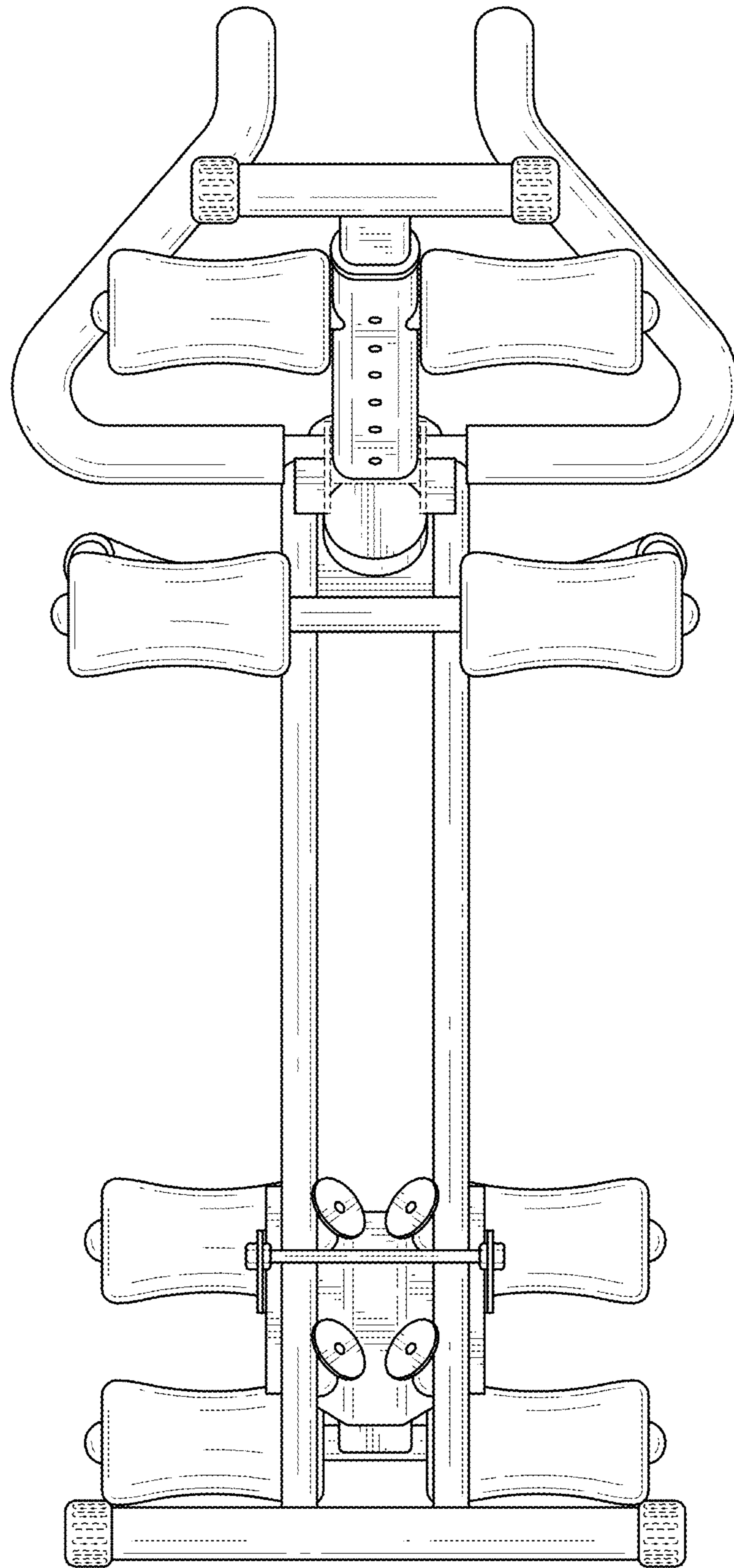


FIG.7