



US00D787610S

(12) **United States Design Patent**
Desberg

(10) **Patent No.:** **US D787,610 S**
(45) **Date of Patent:** **** May 23, 2017**

- (54) **KART**
- (71) Applicant: **RAZOR USA LLC**, Cerritos, CA (US)
- (72) Inventor: **Ian Desberg**, Cerritos, CA (US)
- (73) Assignee: **RAZOR USA LLC**, Cerritos, CA (US)
- (**) Term: **15 Years**
- (21) Appl. No.: **29/574,741**
- (22) Filed: **Aug. 18, 2016**

Related U.S. Application Data

- (63) Continuation of application No. 29/530,064, filed on Jun. 12, 2015, now Pat. No. Des. 764,601.
- (51) **LOC (10) Cl.** **21-01**
- (52) **U.S. Cl.**
USPC **D21/425**
- (58) **Field of Classification Search**
USPC D21/419, 421, 423, 426, 662, 760, 765, D21/766, 769, 771, 776, 803; D12/1, 6, D12/130; 280/7.14, 11.115, 11.19, 11.27, 280/11.28, 14.21, 79.11, 79.2, 87.01, 280/87.021, 87.03, 87.041, 87.042, 607, 280/608, 609, 809; 180/180, 181; 434/247, 253, 258; D34/23, 28
CPC . A63C 17/00; A63C 17/0026; A63C 17/0033; A63C 17/01; A63C 17/04; A63C 17/265; A63C 17/26; A63C 17/28; B62K 3/002
See application file for complete search history.

(56) **References Cited**

U.S. PATENT DOCUMENTS

- 2,219,905 A 10/1940 Prickman
- D213,370 S 2/1969 Cherry
- 3,437,161 A 4/1969 Ufford

- D214,576 S 7/1969 King
- D215,861 S 11/1969 Cook
- 3,604,722 A 9/1971 Boley
- 3,870,334 A 3/1975 Cole
- D251,324 S 3/1979 Vaughn
- D252,651 S 8/1979 Tepper
- D254,380 S 3/1980 Thomas
- D258,368 S 2/1981 Cornish
- D266,100 S 9/1982 Miller
- 4,359,231 A 11/1982 Mulcahy
- D276,058 S 10/1984 Rogers
- 4,484,646 A 11/1984 Smith
- 4,516,648 A 5/1985 Berger
- 4,562,893 A 1/1986 Cunard
- 4,573,696 A 3/1986 Buroff
- D300,127 S 3/1989 Poss
- D301,497 S 6/1989 Gassaway
- 4,875,694 A 10/1989 Hamrick
- 4,896,899 A 1/1990 Lawrence
- D316,281 S 4/1991 Mirisch, Sr.
- 5,046,750 A 9/1991 Heubl

(Continued)

Primary Examiner — Cynthia M Chin

(74) *Attorney, Agent, or Firm* — Knobbe, Martens, Olson & Bear, LLP

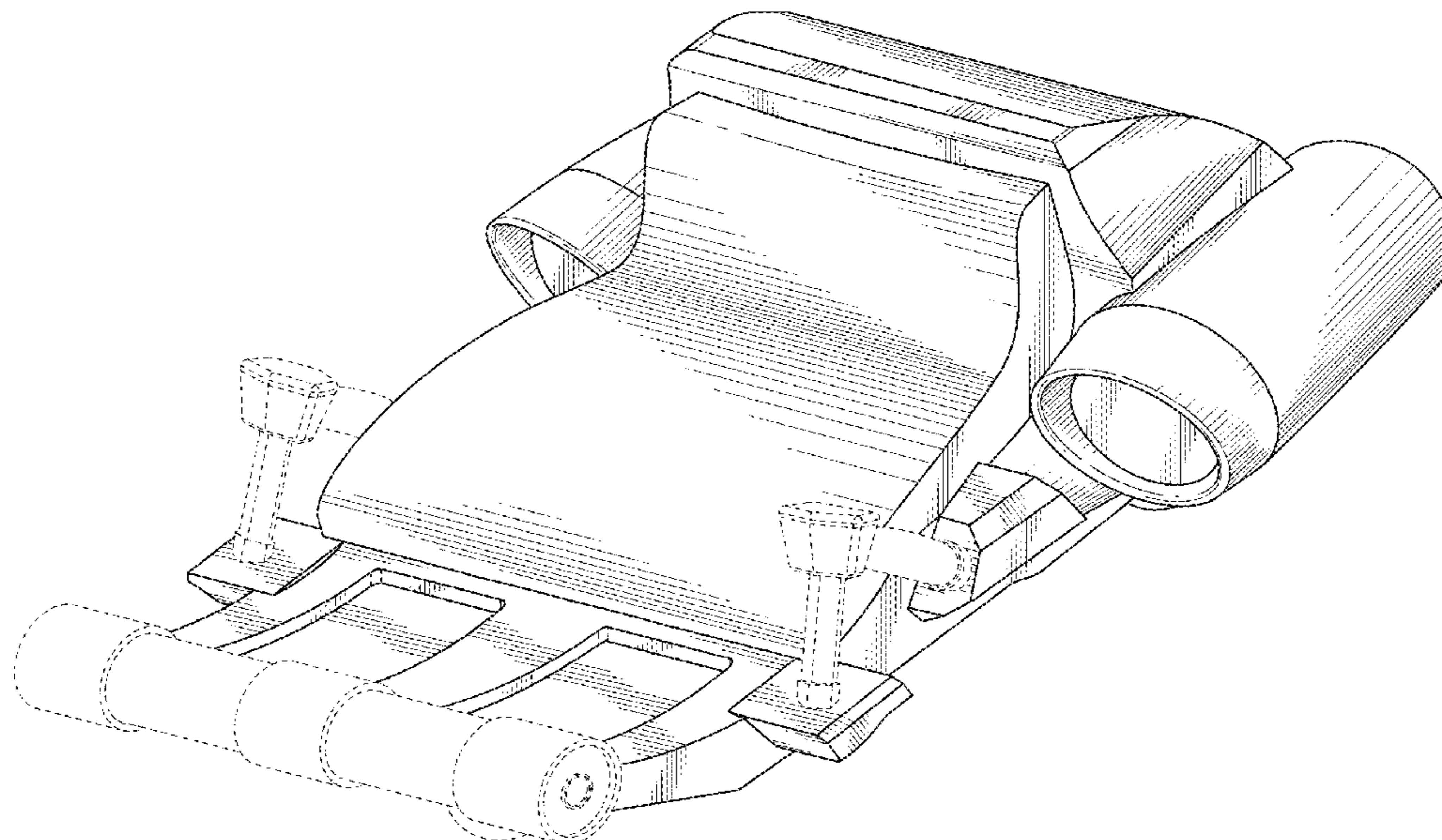
(57) **CLAIM**

The ornamental design for a kart, as shown and described.

DESCRIPTION

FIG. 1 is a front perspective view of a kart, which embodies my design.
 FIG. 2 is a front view of the kart of FIG. 1.
 FIG. 3 is a rear view of the kart of FIG. 1.
 FIG. 4 is a left side view of the kart of FIG. 1.
 FIG. 5 is a ride side view of the kart of FIG. 1.
 FIG. 6 is a top view of the kart of FIG. 1; and,
 FIG. 7 is a bottom view of the kart of FIG. 1.
 The broken lines are for the purpose of illustrating portions of the article that form no part of the claim.

1 Claim, 5 Drawing Sheets



(56)

References Cited

U.S. PATENT DOCUMENTS

5,069,469	A	12/1991	Rosengrant	
D343,424	S	1/1994	Lamb	
D368,743	S	4/1996	Amburgey	
D382,917	S	8/1997	Brodoski	
D384,706	S	10/1997	Temple	
D406,684	S *	3/1999	Pool	D34/23
D437,364	S	2/2001	Jang	
D464,999	S	10/2002	Gu	
D466,560	S	12/2002	Stolpmann	
D469,819	S	2/2003	Nicolle et al.	
D471,936	S	3/2003	Tilbor	
D512,467	S	12/2005	Hadley	
7,114,742	B1	10/2006	Sterns	
D582,992	S	12/2008	Alais	
D601,640	S	10/2009	McIlvain	
8,801,005	B1	8/2014	Flickner	
D761,700	S *	7/2016	Kermani	D21/426
D764,600	S	8/2016	Desberg	
D764,601	S	8/2016	Desberg	
D771,196	S *	11/2016	Chen	D21/424
D774,602	S *	12/2016	Desberg	D21/426
D774,981	S *	12/2016	Chen	D21/426
D775,282	S *	12/2016	Williams	D21/426
2002/0017418	A1 *	2/2002	Korenjack	B60K 17/04 180/291

* cited by examiner

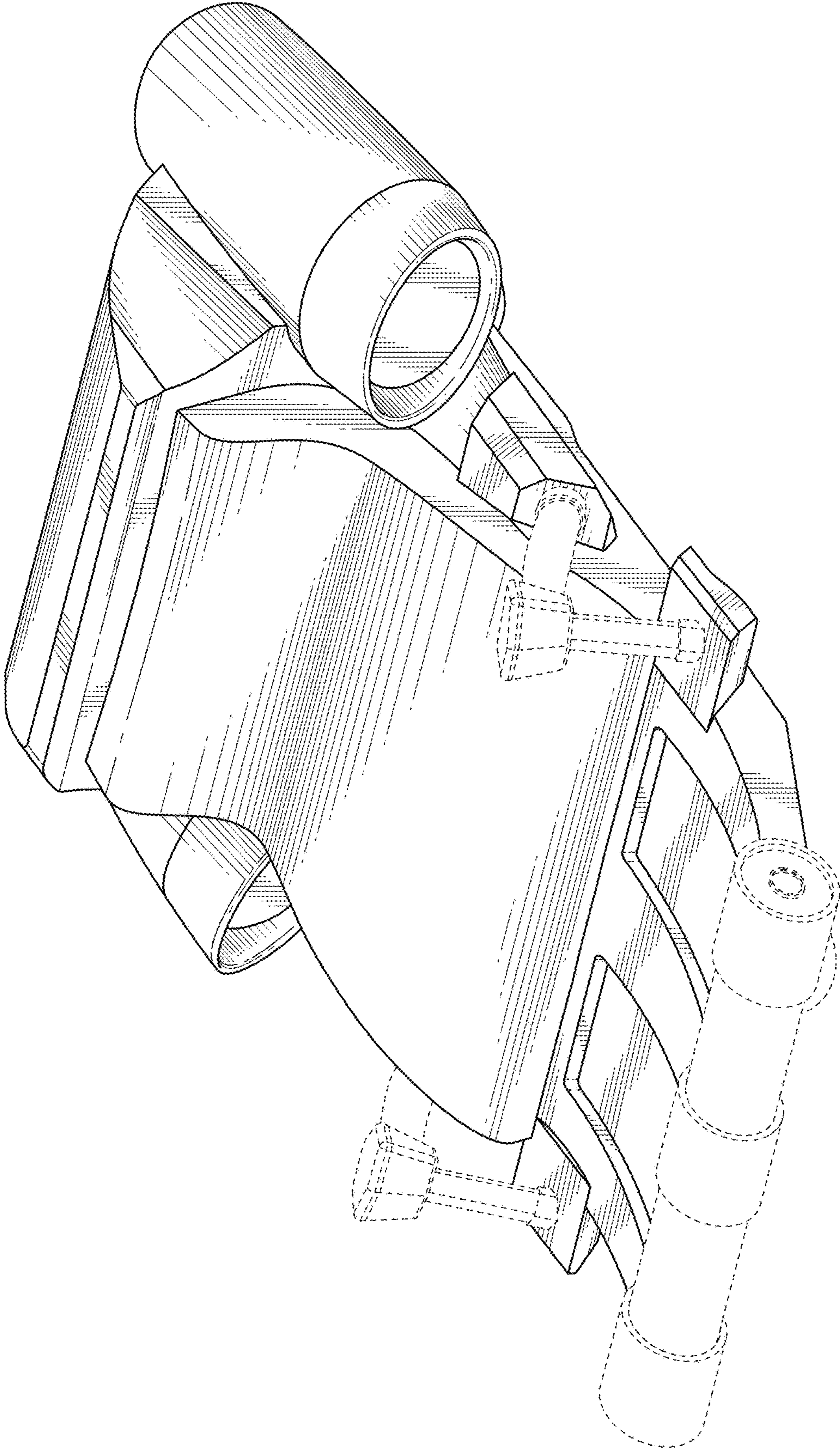


FIG. 1

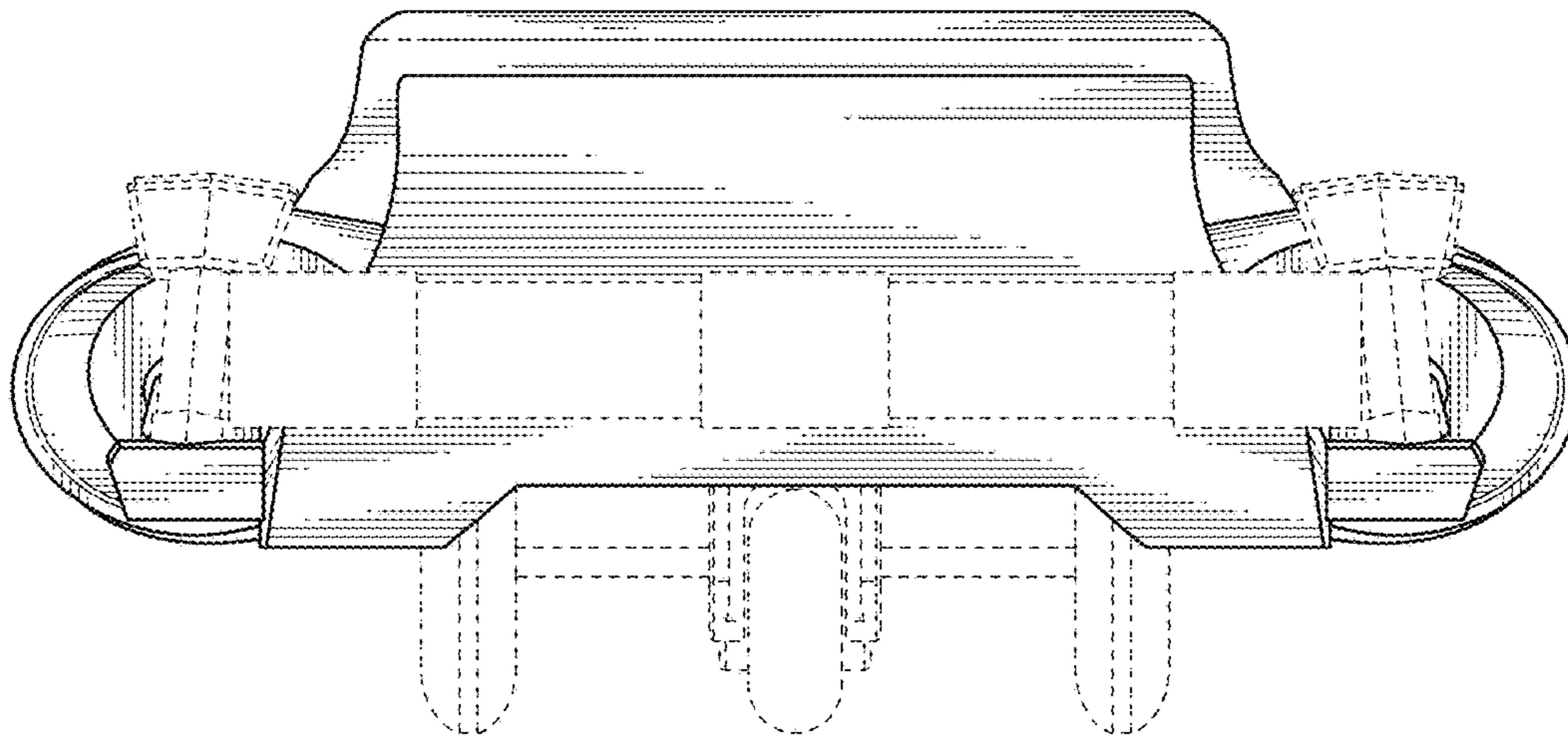


FIG. 2

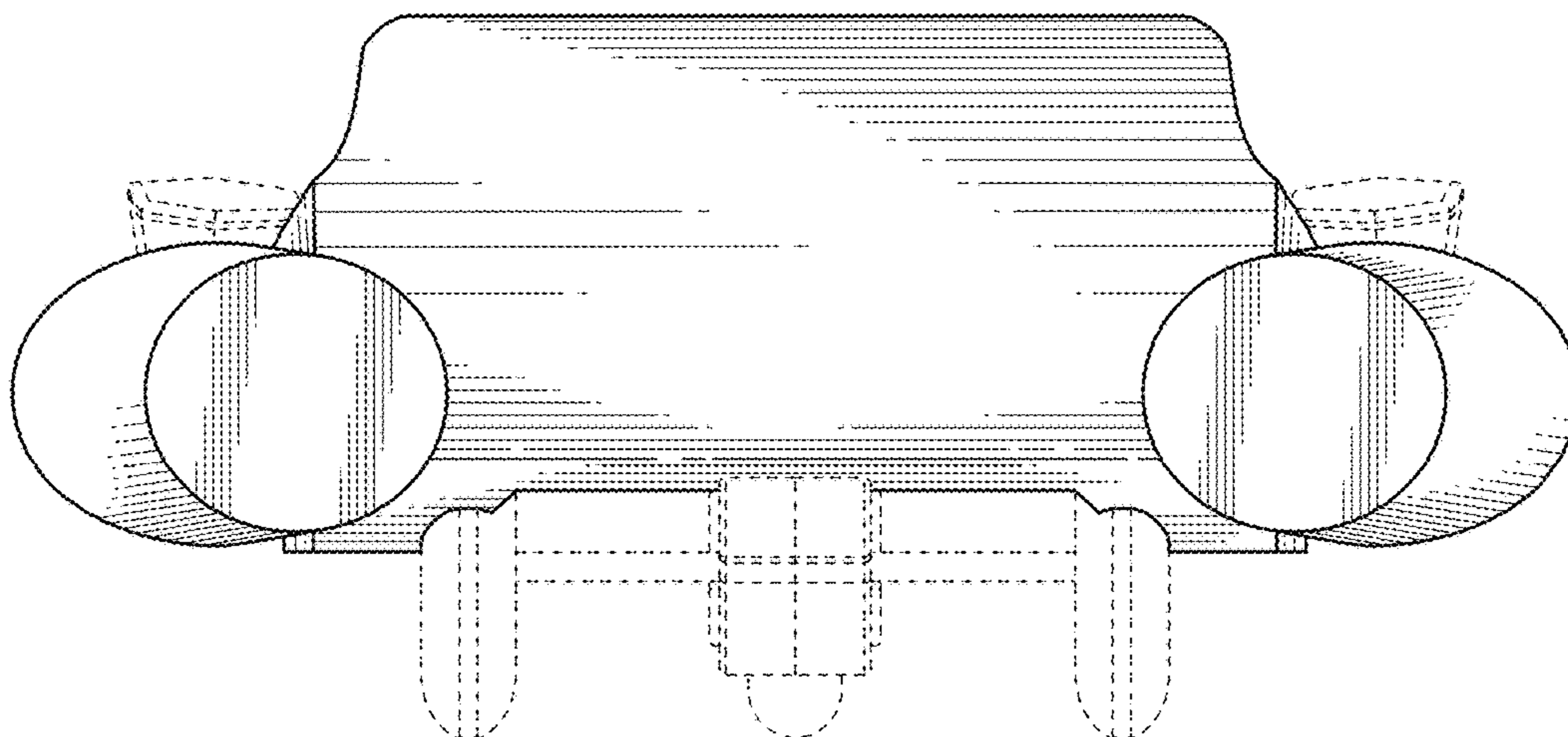


FIG. 3

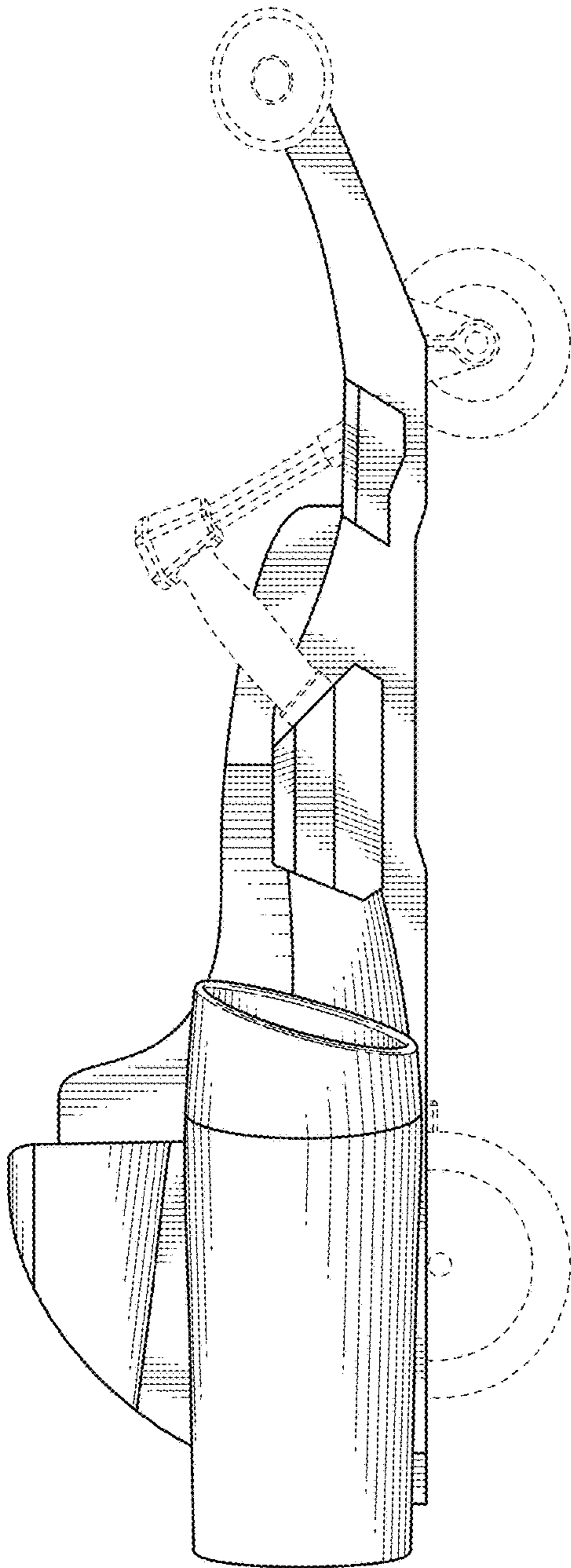


FIG. 4

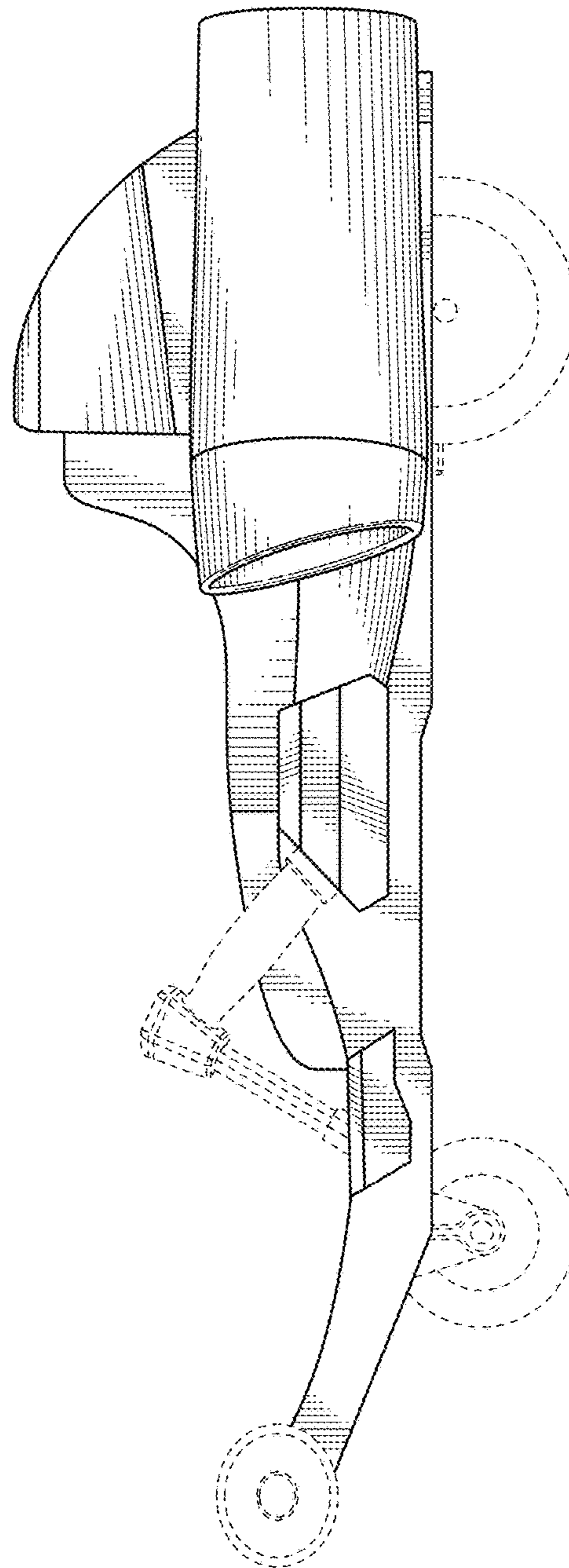


FIG. 5

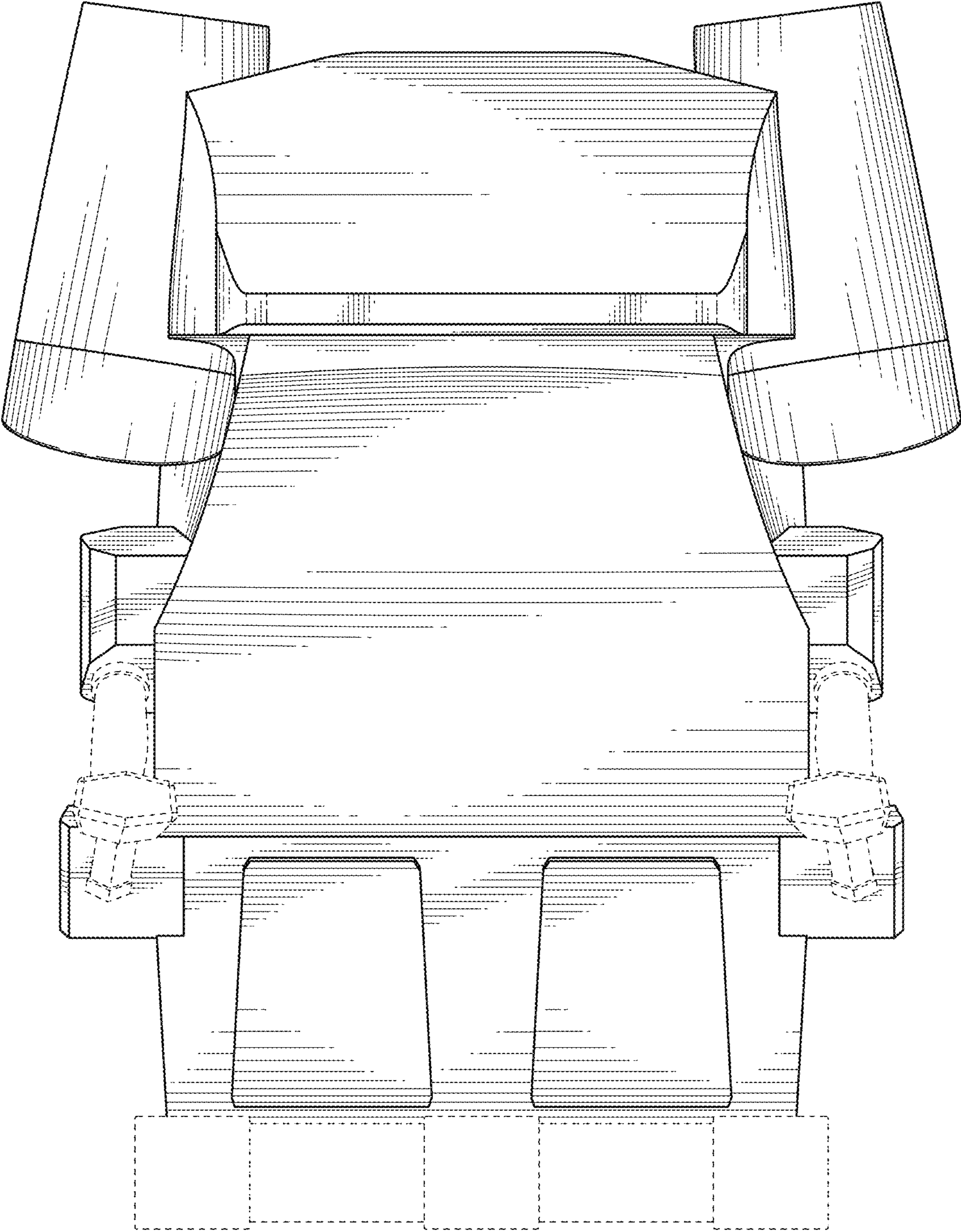


FIG. 6

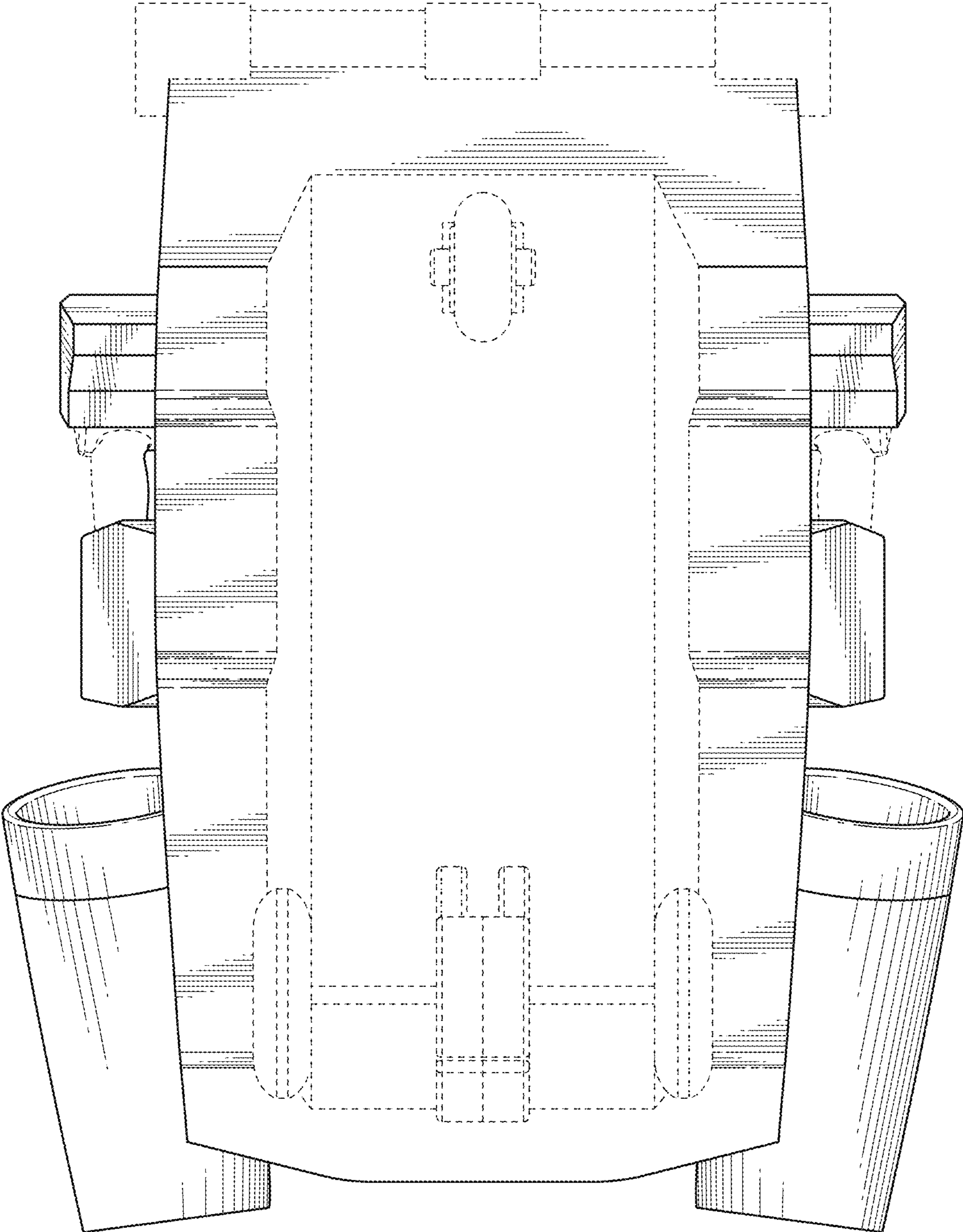


FIG. 7