



US00D787608S

(12) **United States Design Patent**
Blaylock, Sr.

(10) **Patent No.:** **US D787,608 S**

(45) **Date of Patent:** **** May 23, 2017**

- (54) **PLAYING CARD HOLDER**
- (71) Applicant: **Allen Wayne Blaylock, Sr.**, Oklahoma City, OK (US)
- (72) Inventor: **Allen Wayne Blaylock, Sr.**, Oklahoma City, OK (US)

5,743,527 A * 4/1998 Harley A63F 1/10
273/148 R
D492,366 S * 6/2004 Rupert D21/394
8,251,771 B2 * 8/2012 Su A63H 29/22
446/129
8,679,124 B2 * 3/2014 Lechot A61B 17/1617
606/80

(**) Term: **15 Years**

(21) Appl. No.: **29/554,359**

(22) Filed: **Feb. 10, 2016**

(51) **LOC (10) Cl.** **21-01**

(52) **U.S. Cl.**
USPC **D21/394**

(58) **Field of Classification Search**
USPC D21/394
CPC A63F 1/10; A63H 29/22; A61B 17/1617
See application file for complete search history.

(56) **References Cited**

U.S. PATENT DOCUMENTS

D297,030 S * 8/1988 Sweet D21/394
5,445,378 A * 8/1995 Cook A63F 1/10
273/150
D367,082 S * 2/1996 Harley D21/394

* cited by examiner

Primary Examiner — George D Kirschbaum

(74) *Attorney, Agent, or Firm* — RG Patent Consulting, LLC; Rachel Gilboy

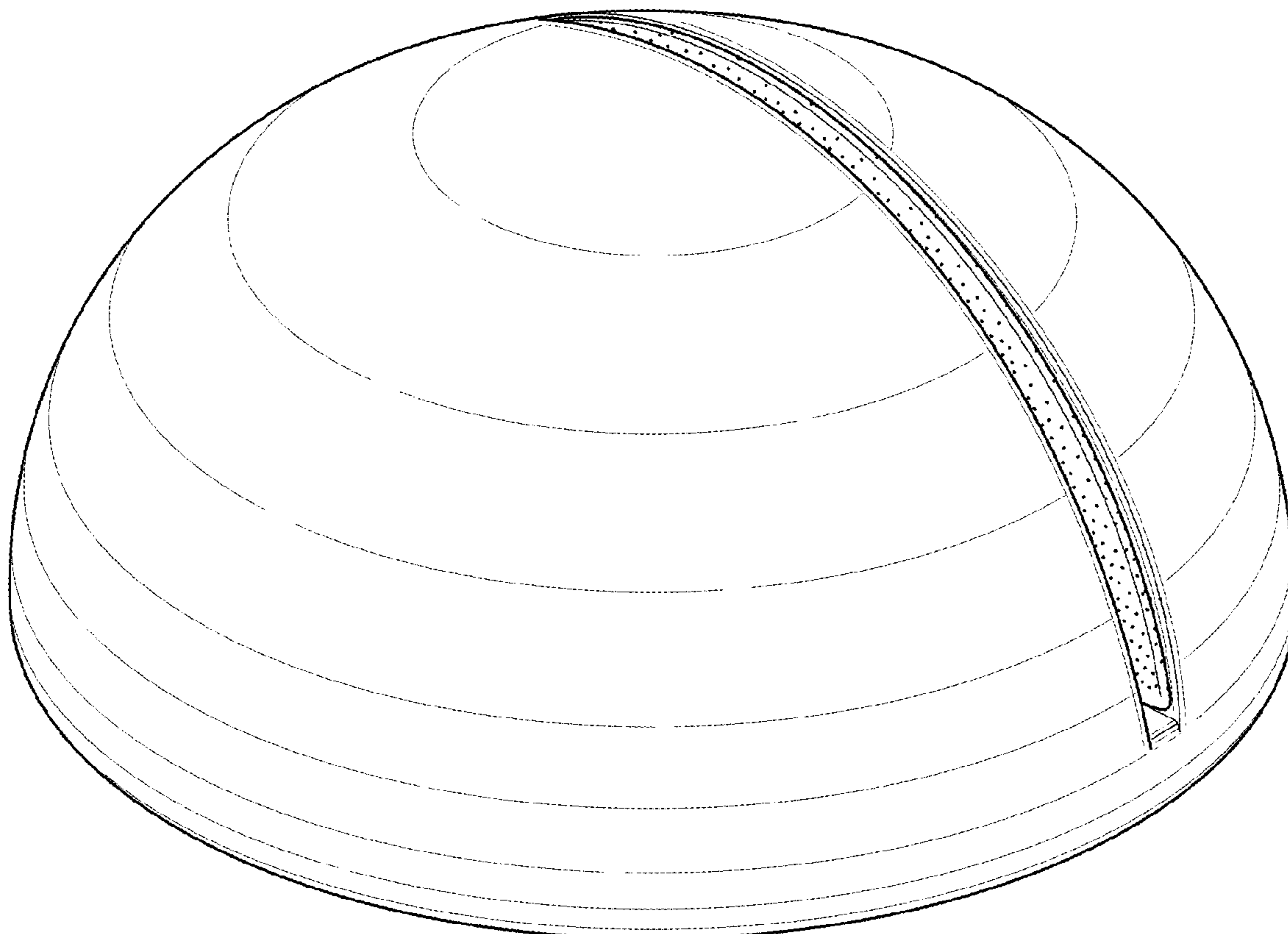
(57) **CLAIM**

The ornamental design for the playing card holder, as shown and described.

DESCRIPTION

FIG. 1 is a front side perspective view of the playing card holder showing my new design;
FIG. 2 is a top plan view thereof;
FIG. 3 is a bottom plan view thereof;
FIG. 4 is a front plan view thereof;
FIG. 5 is a rear plan view thereof;
FIG. 6 is a right side elevation thereof; and,
FIG. 7 is a right side elevation thereof.

1 Claim, 5 Drawing Sheets



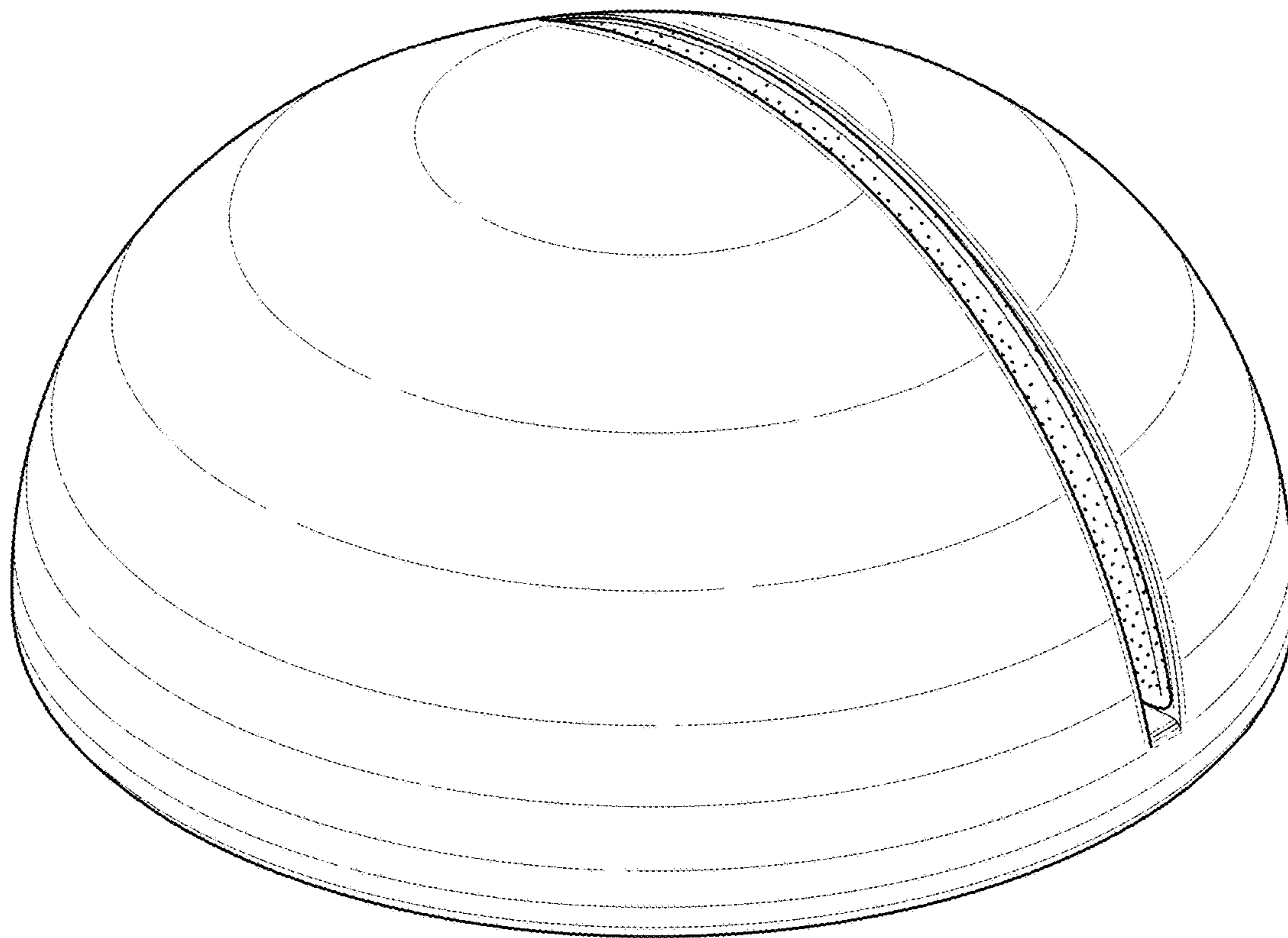


FIG. 1

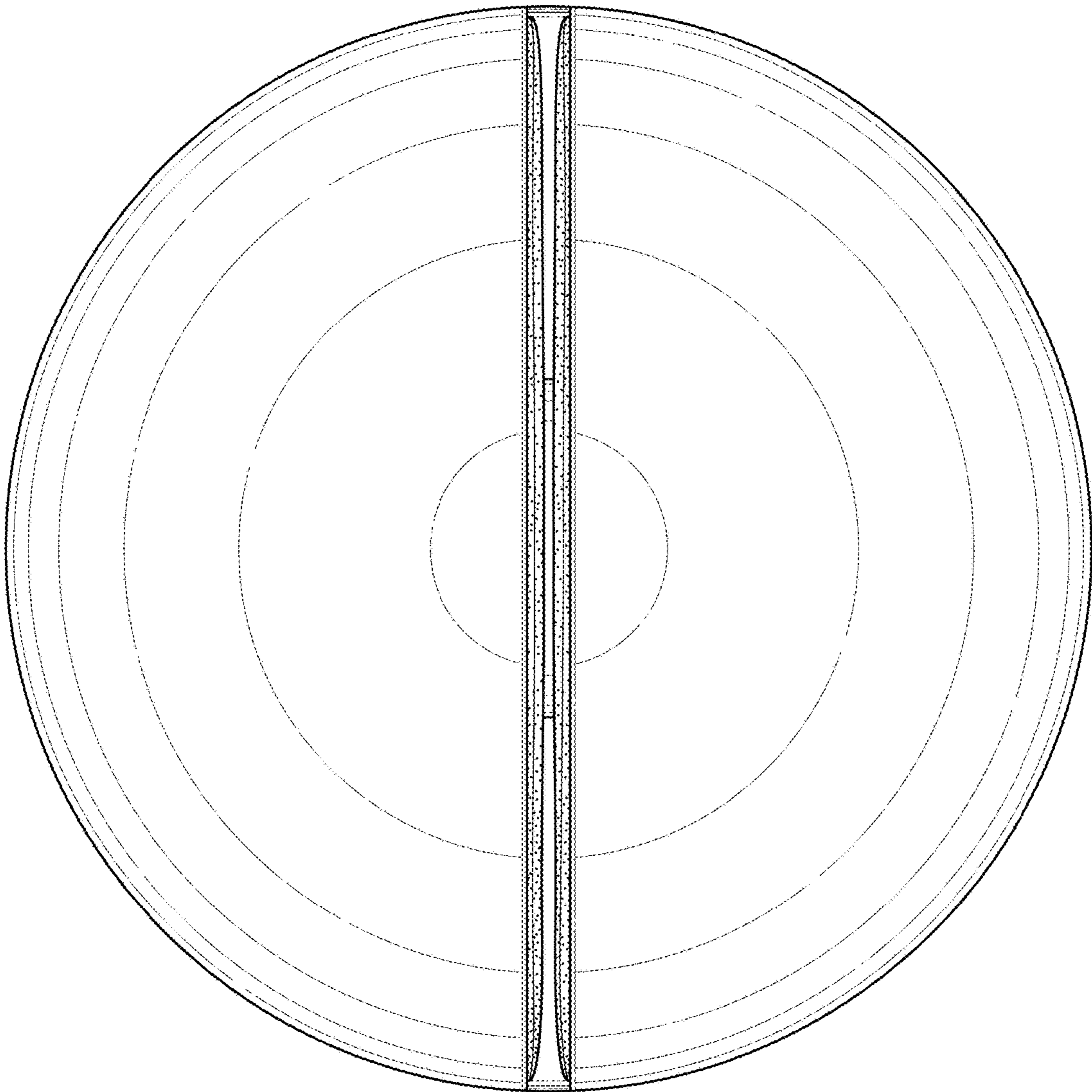


FIG. 2

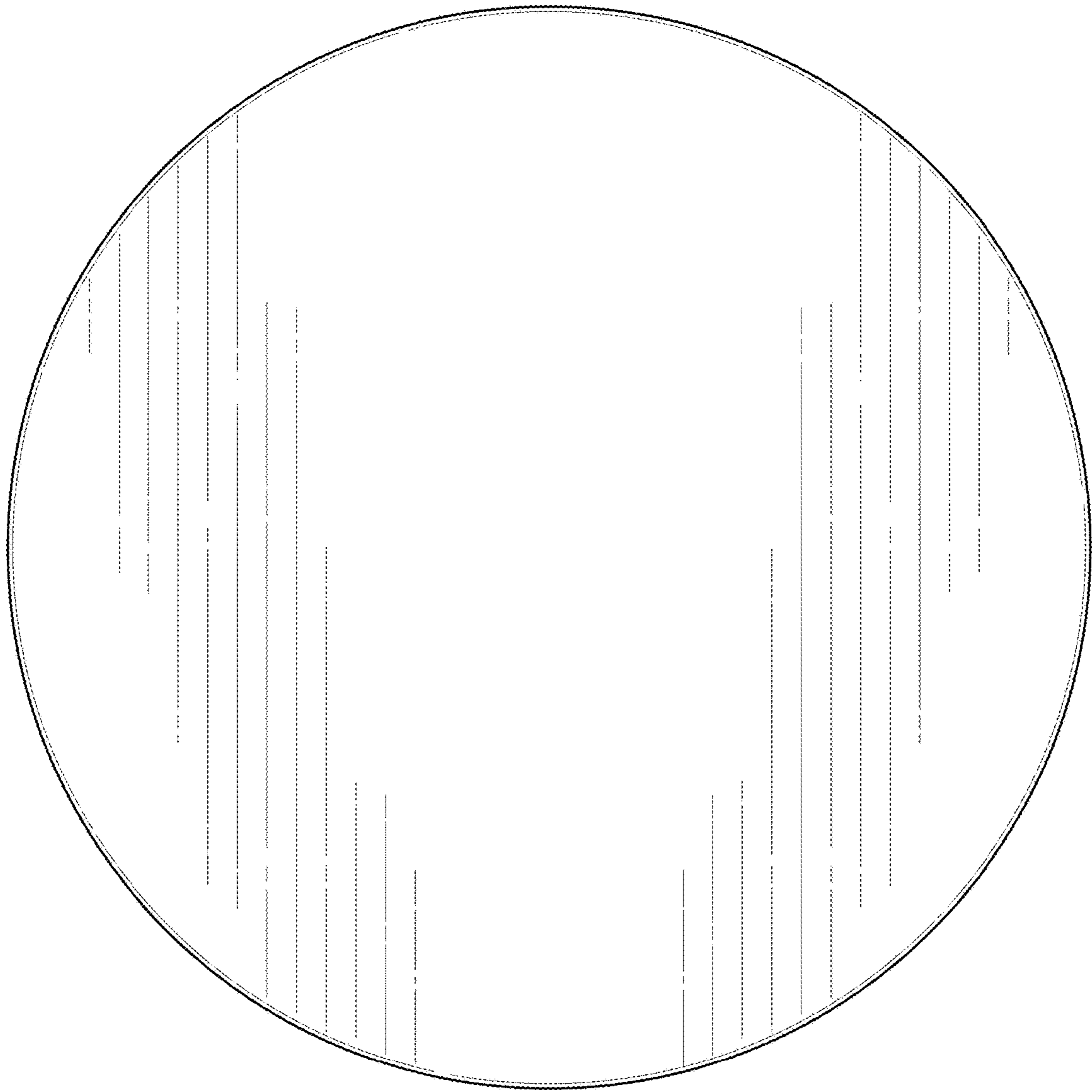


FIG.3

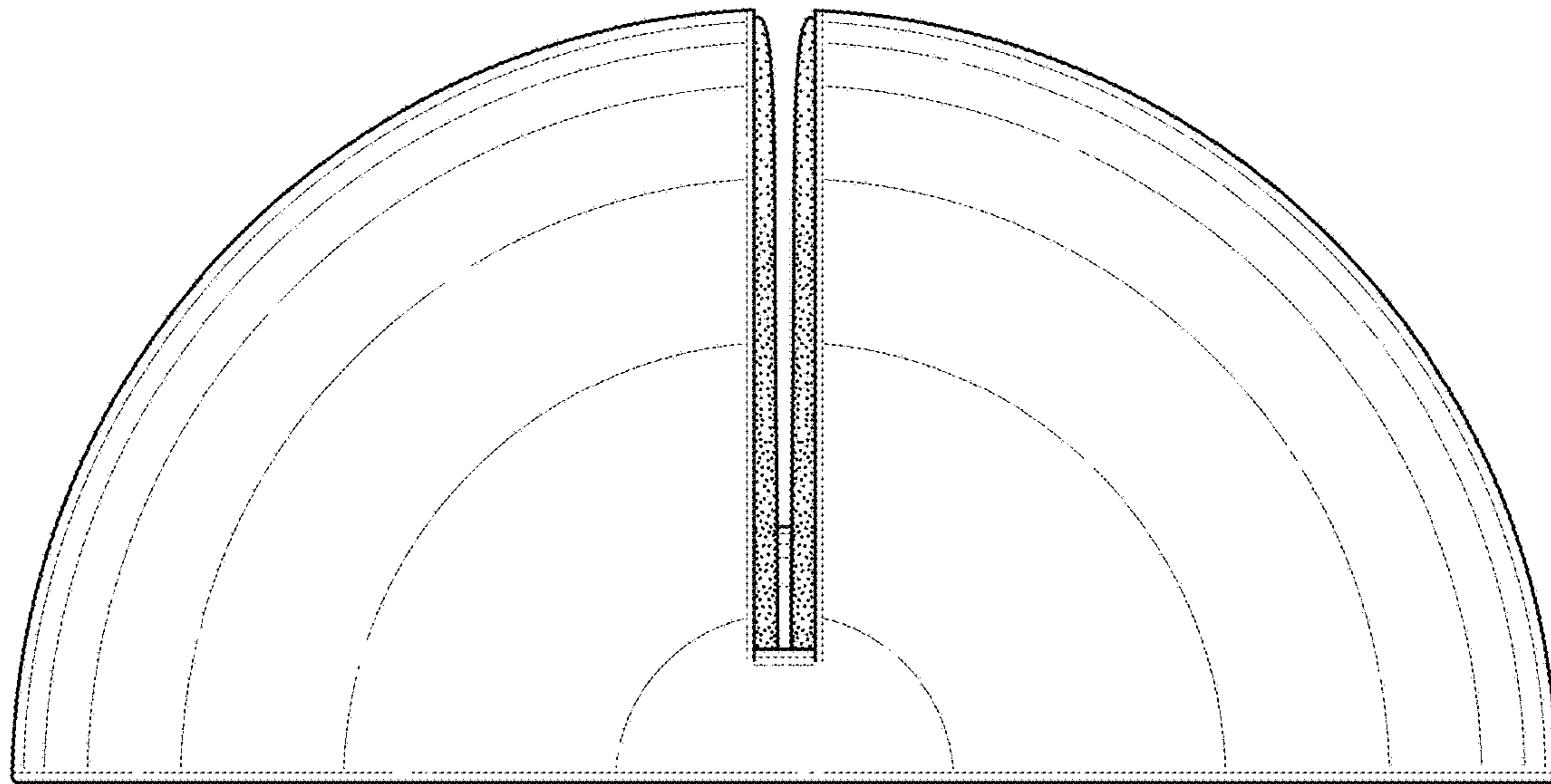


FIG. 4

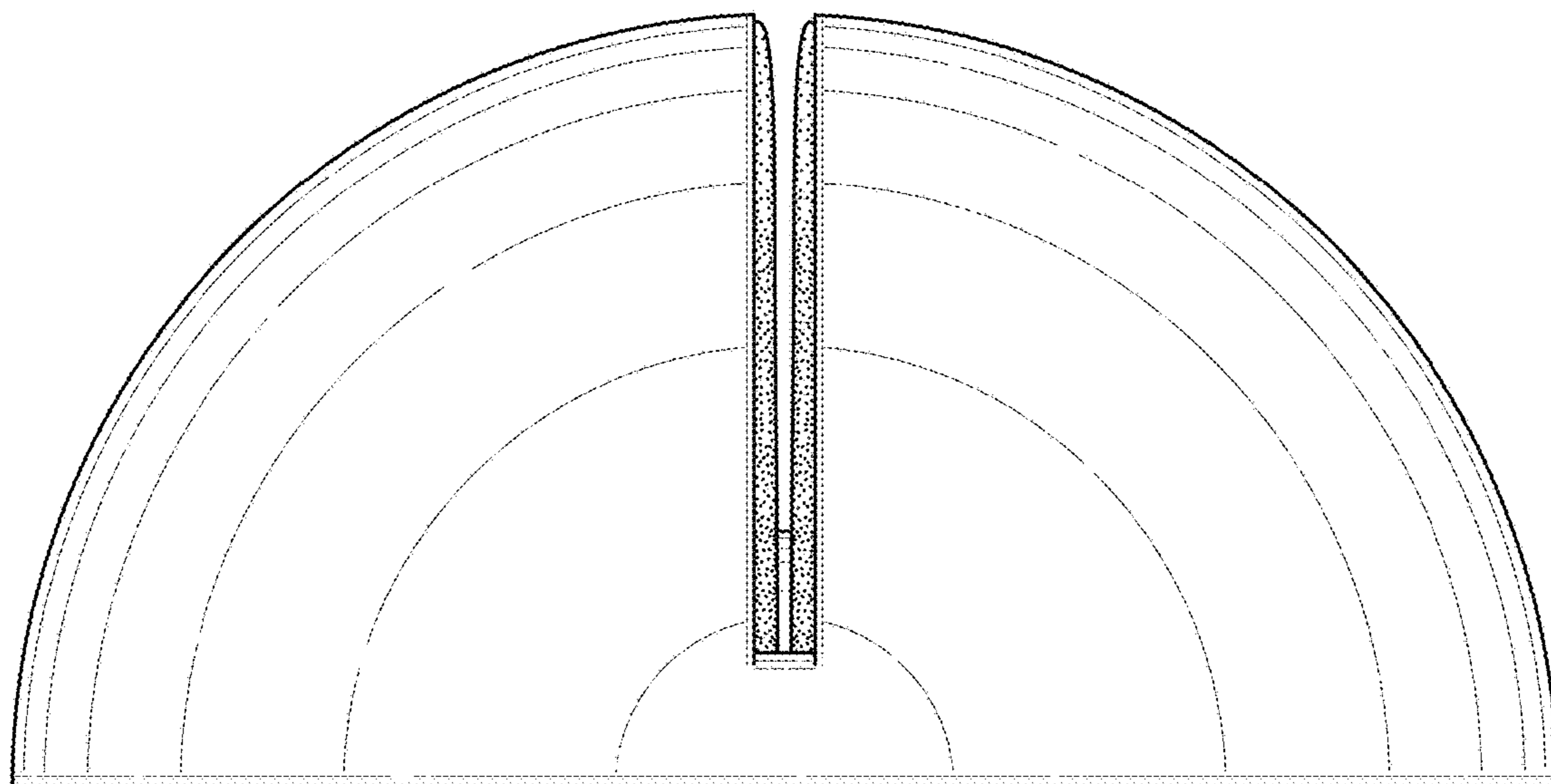


FIG. 5

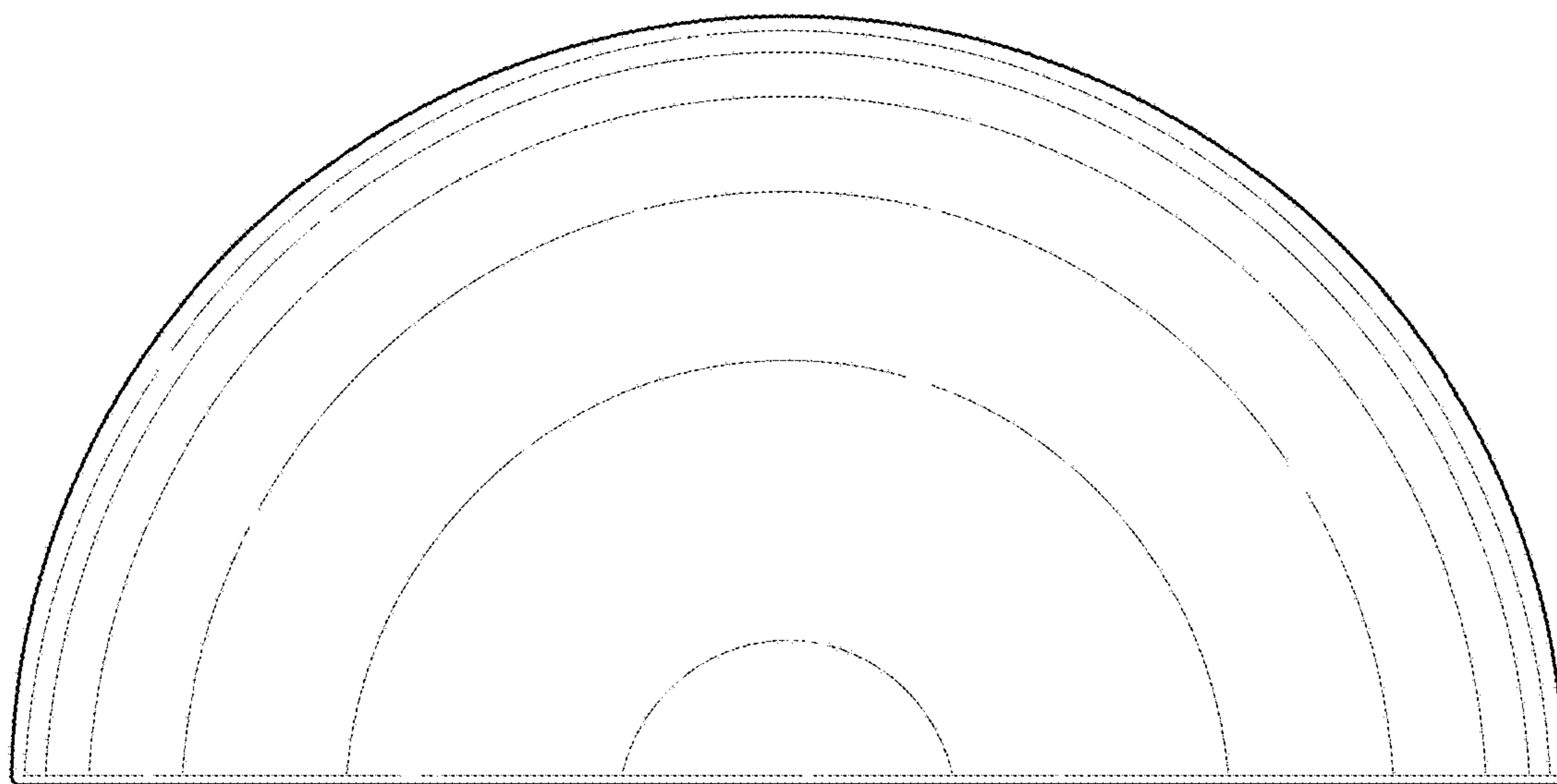


FIG. 6

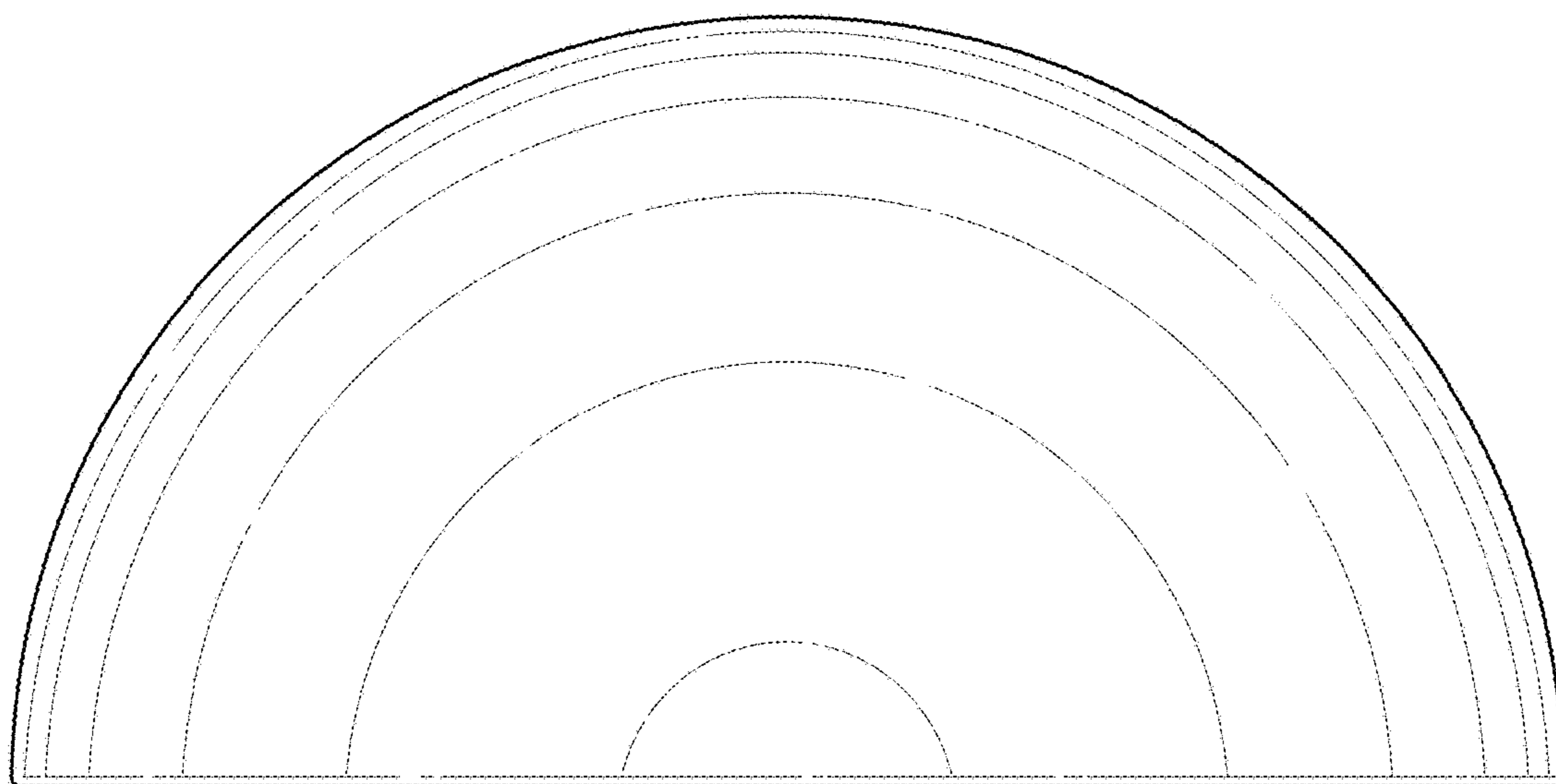


FIG. 7