



US00D787606S

(12) **United States Design Patent** (10) **Patent No.:** **US D787,606 S**  
**Coe** (45) **Date of Patent:** **\*\* \*May 23, 2017**

(54) **GAME CONTROLLER**  
(71) Applicant: **Evil Controllers LLC**, Tempe, AZ (US)  
(72) Inventor: **Adam Wesley Coe**, Las Vegas, NV (US)  
(\* ) Notice: This patent is subject to a terminal disclaimer.  
(\*\*) Term: **14 Years**

5,759,100 A 6/1998 Nakanishi  
5,769,719 A 6/1998 Hsu  
5,860,861 A 1/1999 Lipps et al.  
5,874,906 A 2/1999 Willner et al.  
5,923,317 A 7/1999 Sayler et al.  
D417,211 S 11/1999 Kaneko et al.  
5,984,548 A 11/1999 Willner et al.  
6,071,194 A 6/2000 Sanderson et al.  
6,102,802 A 8/2000 Armstrong  
D439,580 S 3/2001 Goto  
D443,617 S 6/2001 Goto  
6,251,015 B1 6/2001 Caprai  
(Continued)

(21) Appl. No.: **29/514,487**  
(22) Filed: **Jan. 13, 2015**

**Related U.S. Application Data**

(63) Continuation-in-part of application No. 12/032,401, filed on Feb. 15, 2008, now Pat. No. 8,932,135.  
(51) **LOC (10) Cl.** ..... **21-01**  
(52) **U.S. Cl.**  
USPC ..... **D21/333**  
(58) **Field of Classification Search**  
USPC ..... D14/399-401, 412-416; D21/324, 333;  
273/148 B; 463/1, 29-39, 46, 47;  
345/156-161, 905  
CPC ..... A63F 13/00; A63F 13/02; A63F 13/06;  
A63F 9/24; G06F 17/00; G06F 19/00  
See application file for complete search history.

(56) **References Cited**

**U.S. PATENT DOCUMENTS**

3,989,915 A 11/1976 Nishikawa  
4,110,585 A 8/1978 Brown  
4,215,257 A 7/1980 Repplinger  
4,352,965 A 10/1982 Sorenson  
4,870,389 A 9/1989 Ishiwata et al.  
4,926,172 A 5/1990 Gorsek  
5,213,327 A 5/1993 Kitauae  
5,259,626 A 11/1993 Ho  
5,317,505 A 5/1994 Karabed et al.

**OTHER PUBLICATIONS**

File history of U.S. Appl. No. 12/032,401.

*Primary Examiner* — Prabhakar Deshmukh  
(74) *Attorney, Agent, or Firm* — Matthew A. Pequignot; Pequignot + Myers LLC

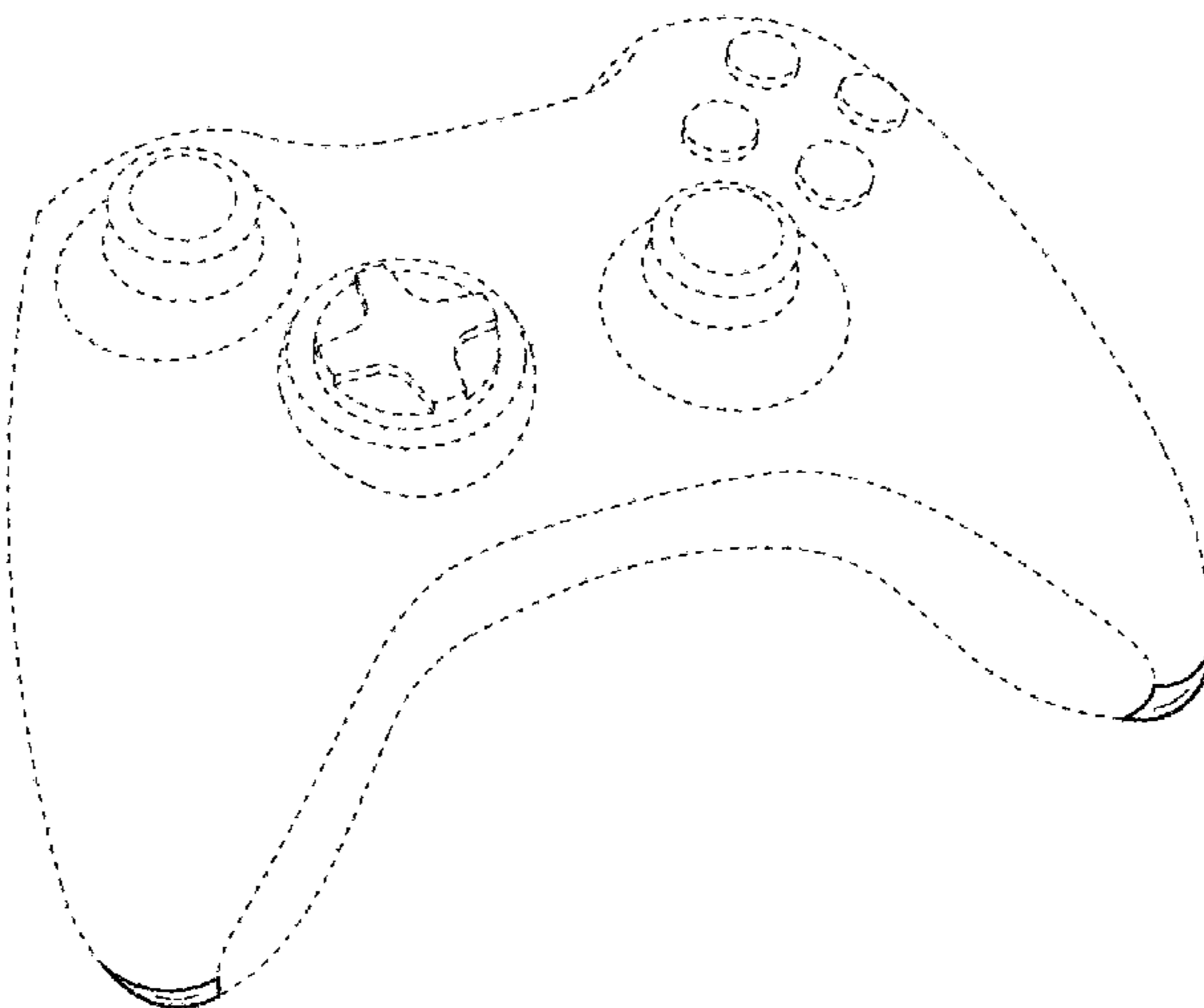
(57) **CLAIM**

The ornamental design for a game controller, as substantially shown and described.

**DESCRIPTION**

FIG. 1 is a top perspective view of a game controller showing my new design;  
FIG. 2 is a bottom perspective view thereof;  
FIG. 3 is a top plan view thereof;  
FIG. 4 is a bottom plan view thereof;  
FIG. 5 is a front elevational view thereof;  
FIG. 6 is a rear elevational view thereof;  
FIG. 7 is a right side elevational view thereof; and,  
FIG. 8 is a left side elevational view thereof.  
The broken lines illustrate environment and forms no part of the claimed design.  
Structure illustrated in broken lines is provided to illustrate the environment of the invention but is not otherwise part of the claimed design.

**1 Claim, 4 Drawing Sheets**



(56)

References Cited

U.S. PATENT DOCUMENTS

6,288,709 B1 9/2001 Willner et al.  
 6,362,810 B1 3/2002 Matsuda  
 6,411,301 B1 6/2002 Parikh et al.  
 6,498,599 B1 12/2002 Liu et al.  
 6,641,479 B1 11/2003 Ogata et al.  
 6,659,870 B2 12/2003 Sobota  
 6,716,102 B2 4/2004 Whitten et al.  
 6,717,075 B1 4/2004 Stavely et al.  
 6,719,633 B1 4/2004 Leifer et al.  
 6,743,100 B1\* 6/2004 Neiser ..... A63F 13/06  
 273/148 B  
 6,760,013 B2 7/2004 Willner et al.  
 6,811,489 B1 11/2004 Shimizu et al.  
 6,960,137 B2 11/2005 Nishizawa et al.  
 6,973,430 B2 12/2005 Nishizawa et al.  
 6,989,818 B2 1/2006 Biheller et al.  
 7,040,986 B2 5/2006 Koshima et al.  
 7,063,321 B2\* 6/2006 Hussaini ..... A63F 13/06  
 273/148 B  
 7,145,569 B2 12/2006 Yamamoto  
 7,235,012 B2 6/2007 DiDato  
 7,297,061 B2 11/2007 Siegel  
 D570,854 S\* 6/2008 Harris ..... D14/454  
 D587,717 S\* 3/2009 Harris ..... D14/454  
 7,762,553 B2\* 7/2010 Harris ..... A63F 13/02  
 273/148 B

D640,696 S\* 6/2011 Lovoi ..... D14/401  
 D640,697 S\* 6/2011 Lovoi ..... D14/401  
 8,094,123 B2 1/2012 Enright  
 D669,078 S\* 10/2012 Lovoi ..... D14/401  
 D717,875 S\* 11/2014 Uhrman ..... D21/333  
 D730,451 S\* 5/2015 Burgess ..... D14/401  
 D736,322 S\* 8/2015 Navid ..... D14/401  
 D736,860 S\* 8/2015 Lovoi ..... D14/401  
 2001/0044338 A1 11/2001 Cheng  
 2002/0098886 A1 7/2002 Nishizawa et al.  
 2002/0099539 A1 7/2002 Nishizawa et al.  
 2002/0135596 A1 9/2002 Yamamoto  
 2002/0174277 A1 11/2002 Hoshino et al.  
 2004/0090416 A1 5/2004 Biheller et al.  
 2004/0224765 A1 11/2004 Martinez et al.  
 2004/0224768 A1 11/2004 Hussaini et al.  
 2005/0176504 A1 8/2005 Stanley  
 2005/0215321 A1 9/2005 Hussaini et al.  
 2006/0025217 A1 2/2006 Hussaini et al.  
 2006/0097453 A1 5/2006 Feldman et al.  
 2006/0116204 A1 6/2006 Chen et al.  
 2006/0250351 A1 11/2006 Fu  
 2007/0021209 A1 1/2007 Hussaini et al.  
 2007/0052177 A1 3/2007 Ikeda et al.  
 2007/0060393 A1 3/2007 Wu et al.  
 2007/0078002 A1 4/2007 Evans et al.  
 2007/0265085 A1 11/2007 Miyamoto et al.  
 2007/0270217 A1 11/2007 Rabin  
 2008/0015017 A1 1/2008 Ashida et al.

\* cited by examiner

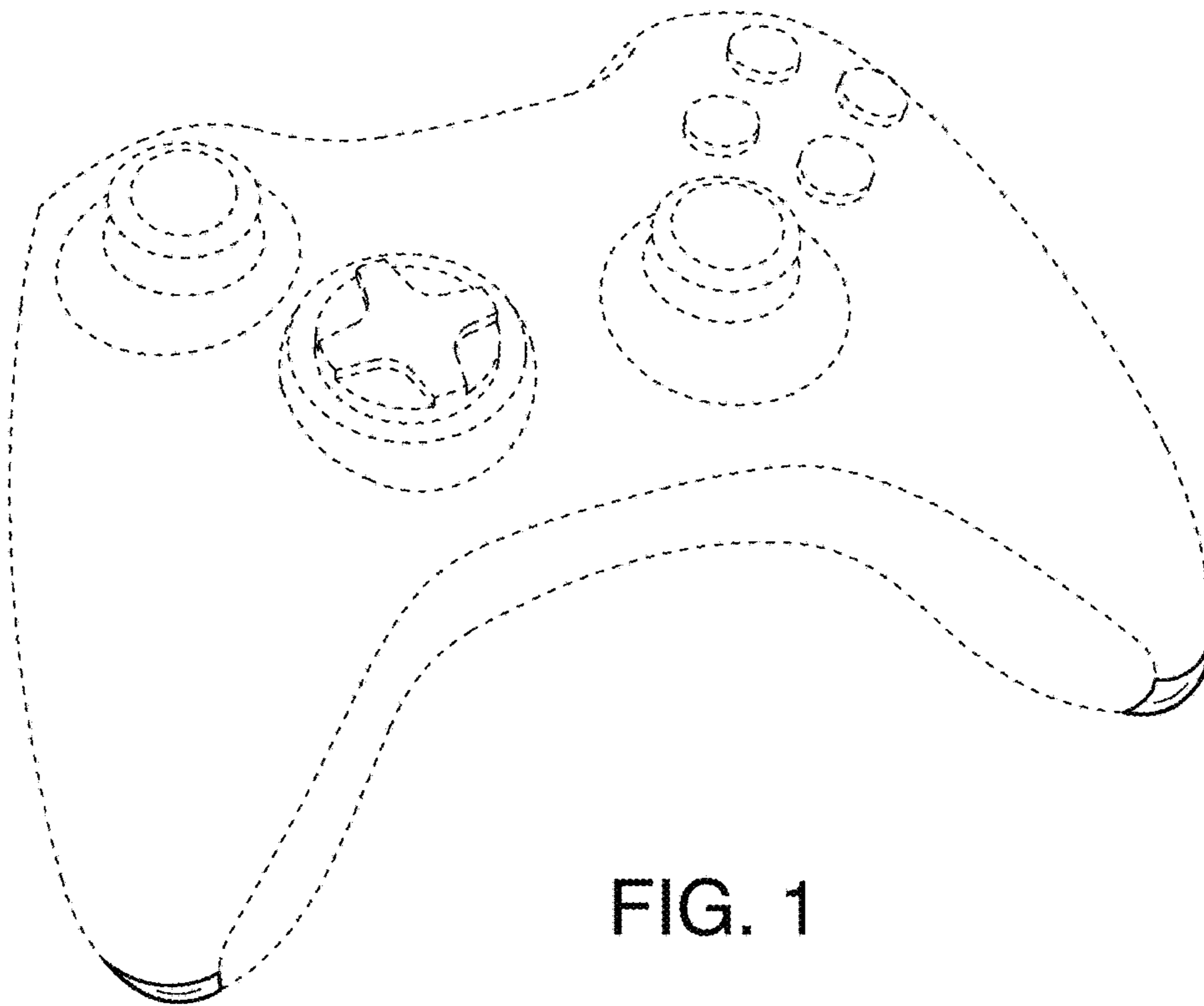


FIG. 1

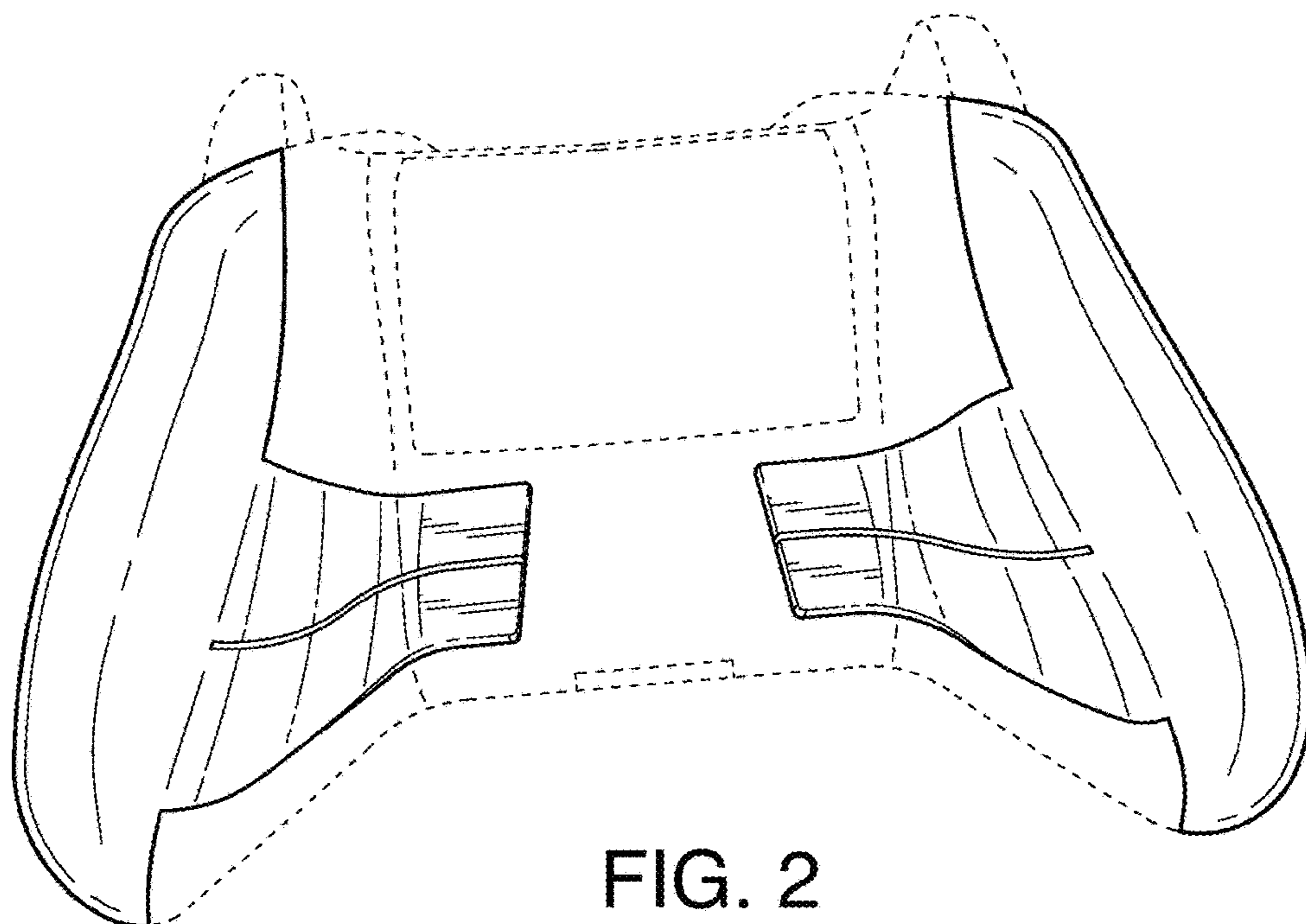


FIG. 2

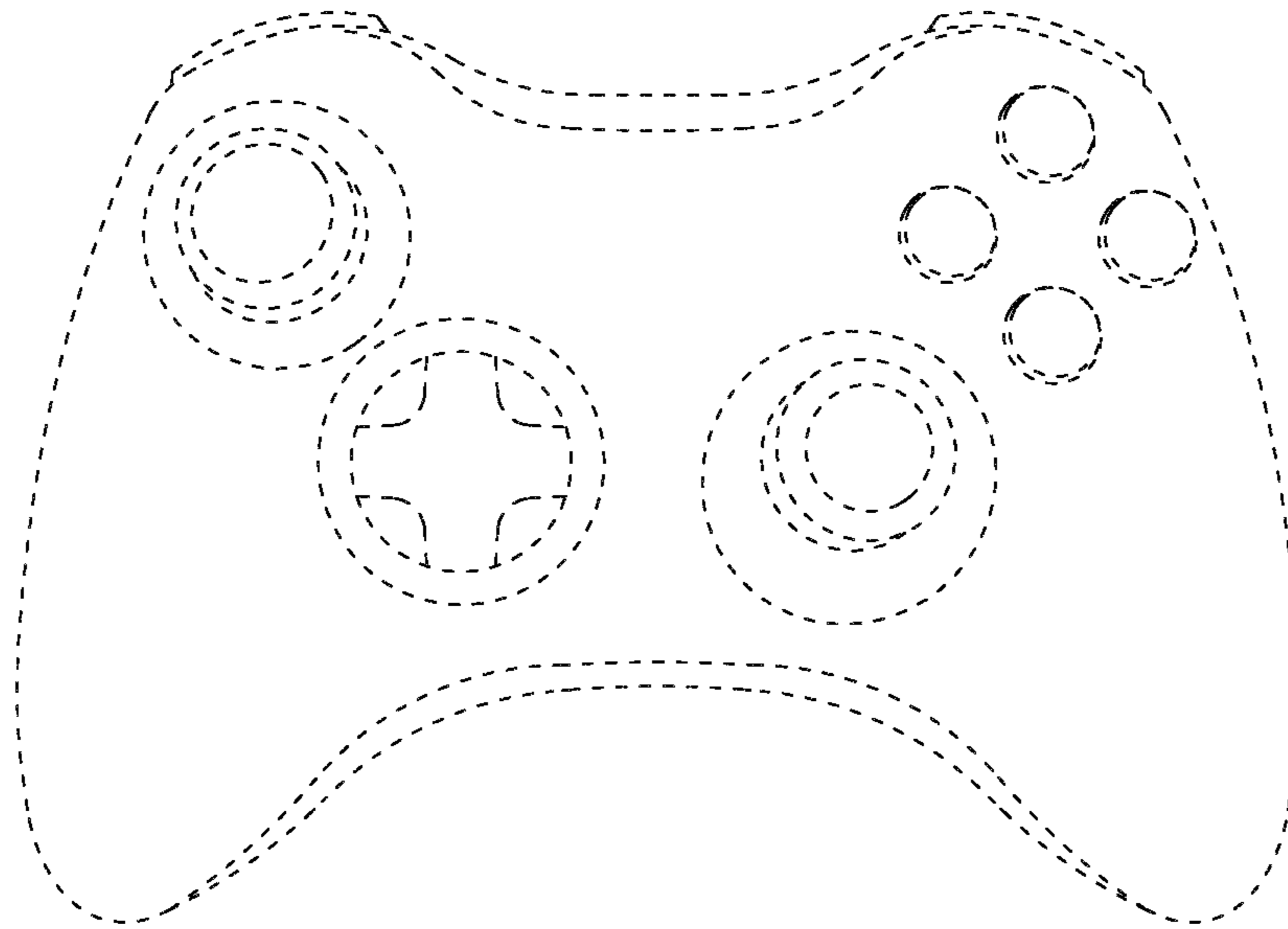


FIG. 3

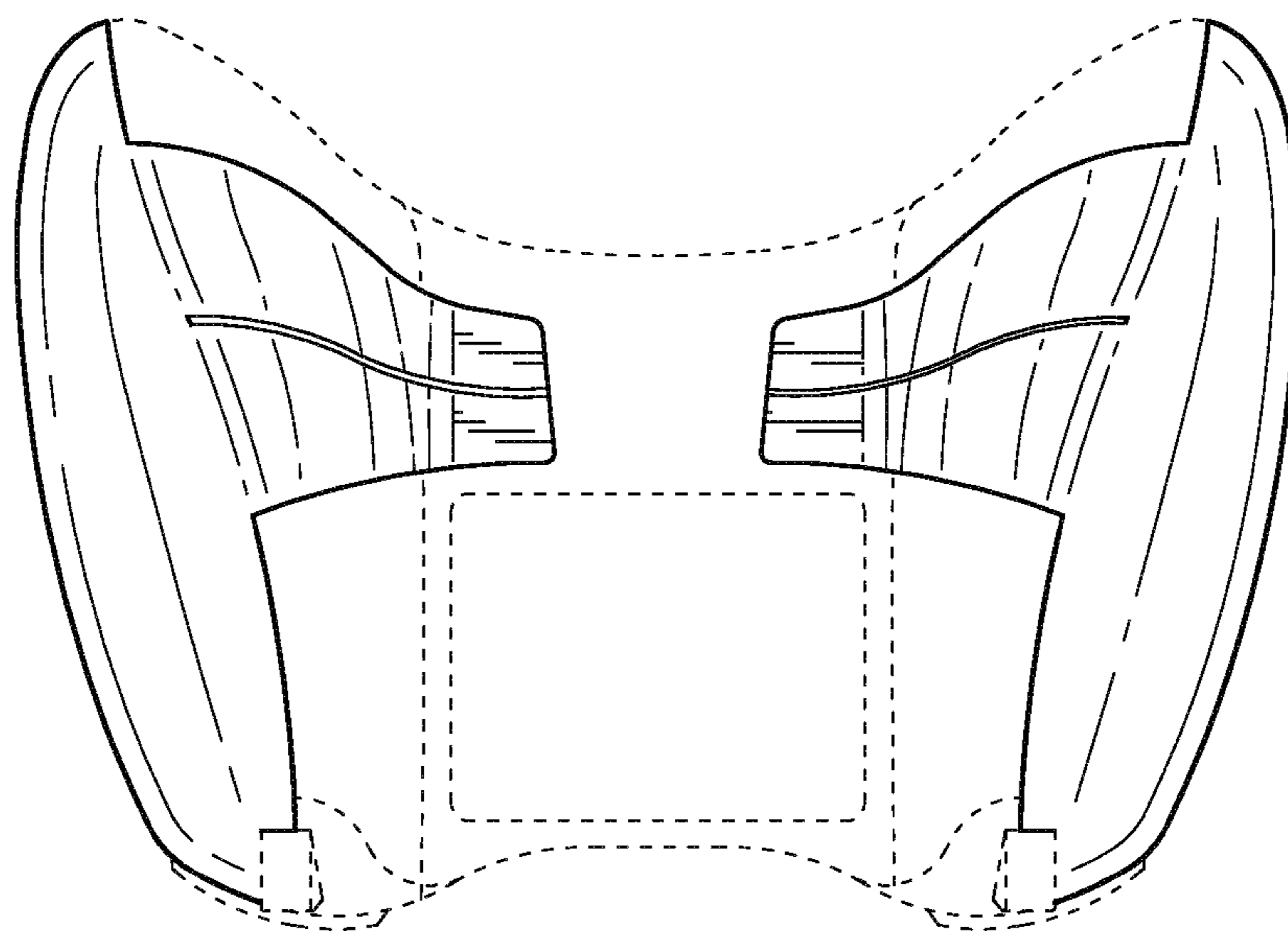


FIG. 4

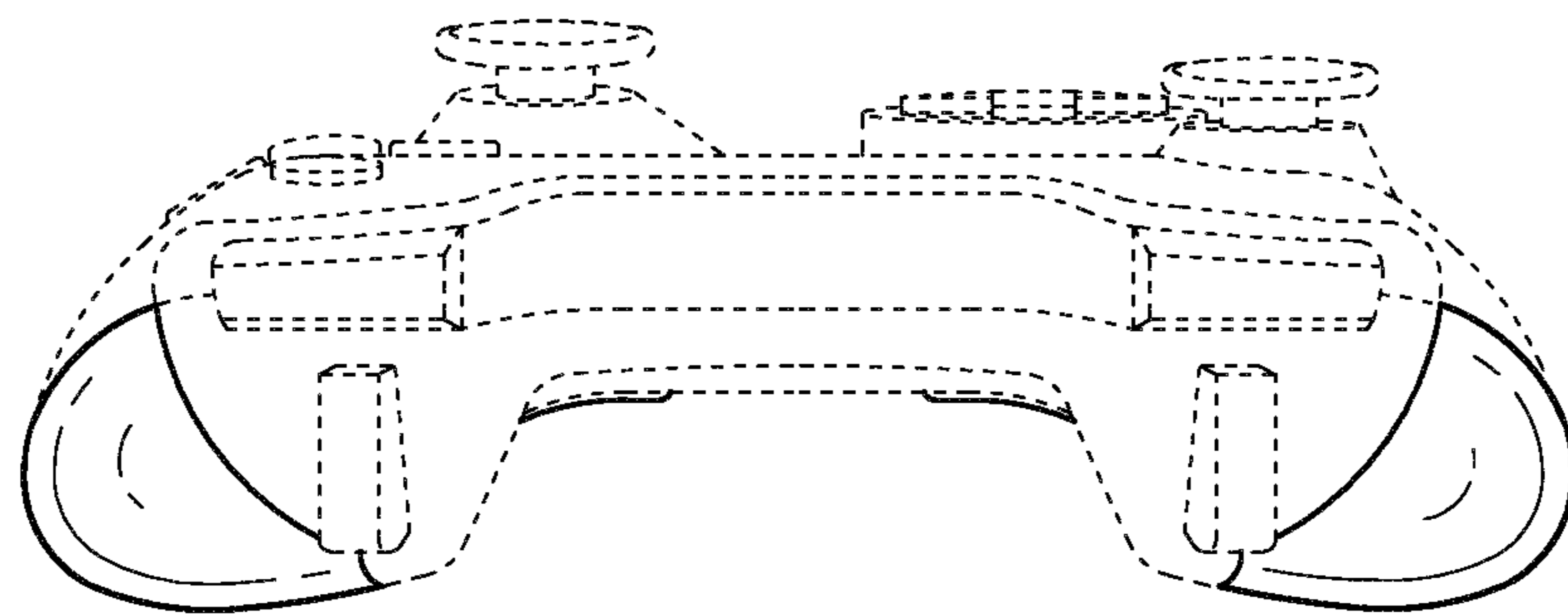


FIG. 5

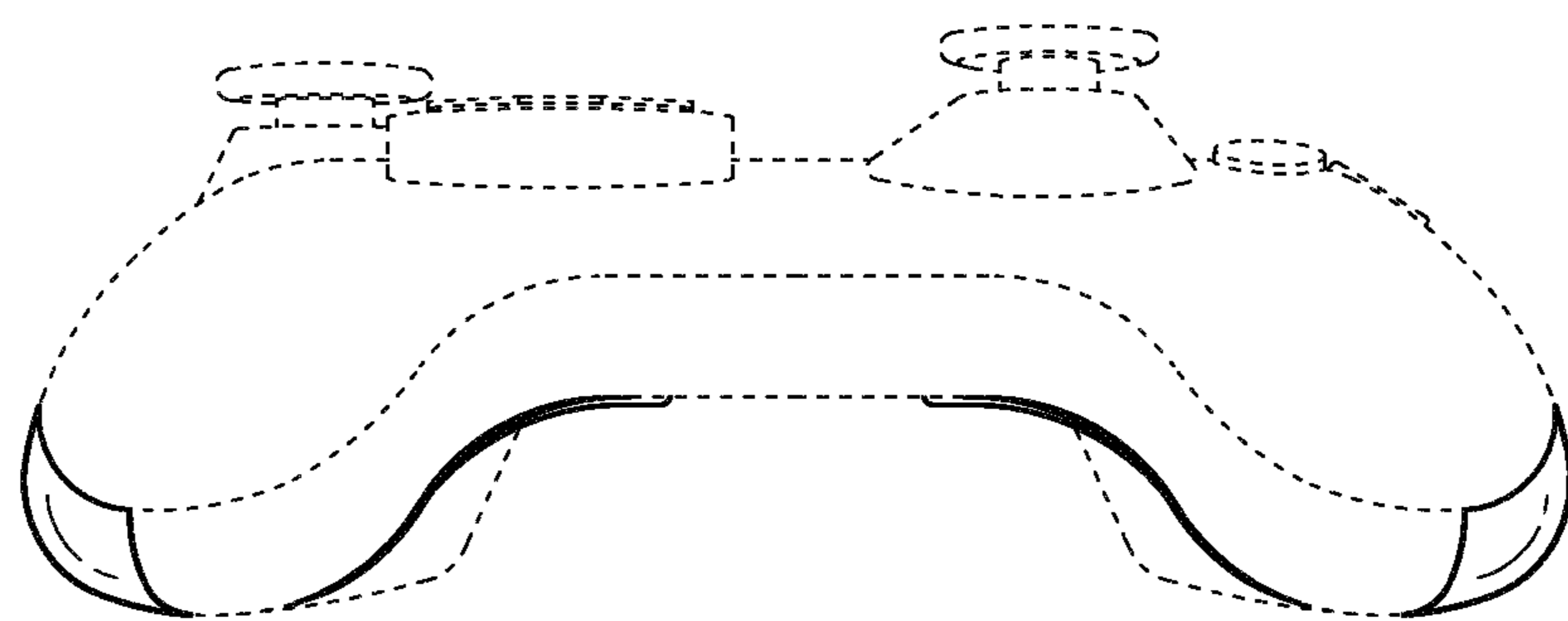


FIG. 6

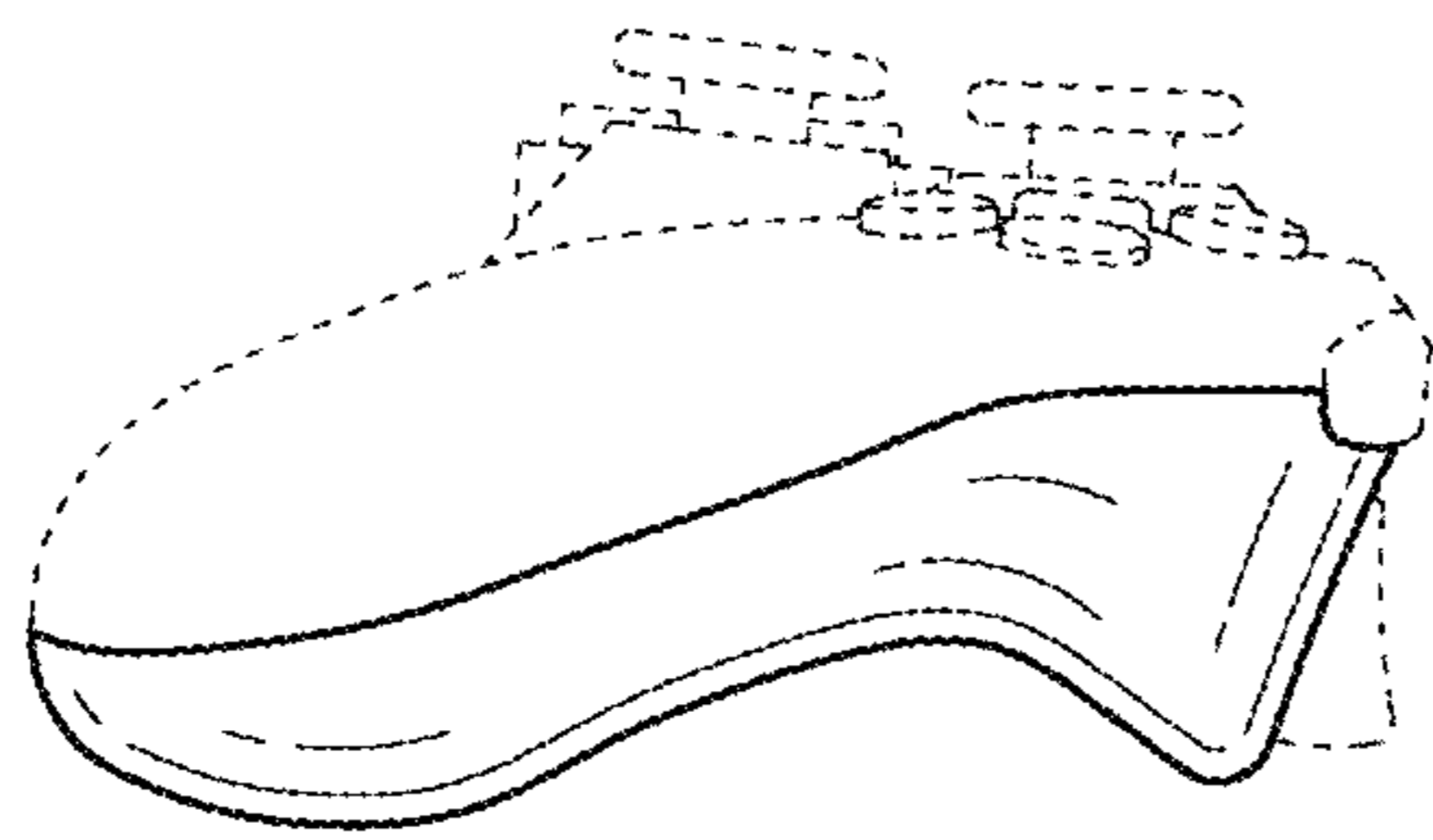


FIG. 7

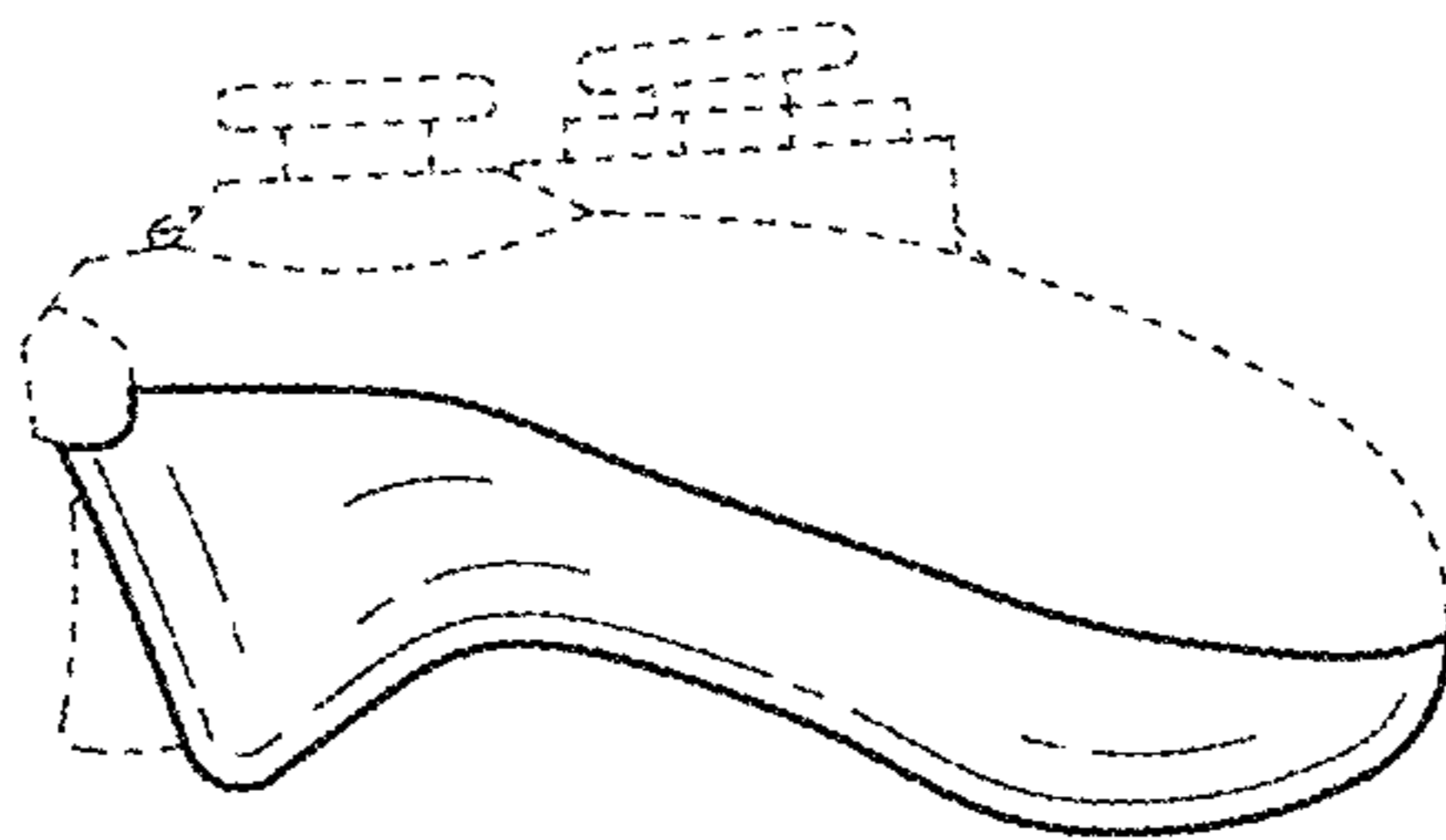


FIG. 8