



US00D787603S

(12) **United States Design Patent** (10) **Patent No.:** **US D787,603 S**
Watson et al. (45) **Date of Patent:** **** May 23, 2017**

(54) **CORNER MOUNT SIGN HOLDER**
(71) Applicant: **Fasteners For Retail, Inc.**, Twinsburg, OH (US)
(72) Inventors: **Heather Watson**, Aurora, OH (US); **William H. Walker**, Fairlawn, OH (US)
(73) Assignee: **Fasteners For Retail, Inc.**, Twinsburg, OH (US)

D454,373 S 3/2002 Kosir
D454,593 S 3/2002 Kosir
D454,917 S 3/2002 Mueller
D454,918 S 3/2002 Wamsley et al.
D480,433 S 10/2003 Wildrick
D480,949 S 10/2003 Kosir
D487,115 S 2/2004 Kosir
D487,290 S 3/2004 Kosir
6,698,124 B2 3/2004 Kump et al.
D511,548 S 11/2005 Wamsley
7,740,144 B2 6/2010 Kosir
7,946,066 B2 5/2011 Wamsley
8,308,880 B2* 11/2012 White B23P 19/00
156/60

(**) Term: **15 Years**

(Continued)

(21) Appl. No.: **29/552,165**

(22) Filed: **Jan. 20, 2016**

Related U.S. Application Data

(62) Division of application No. 29/477,534, filed on Dec. 23, 2013, now Pat. No. Des. 750,710.

(51) **LOC (10) Cl.** **20-03**

(52) **U.S. Cl.**
USPC **D20/43**

(58) **Field of Classification Search**
USPC D20/10, 19, 43, 44, 99; D25/119, 121
CPC ... G09F 1/10; G09F 1/103; G09F 1/12; G09F
2001/106; G09F 3/185; G09F 3/20; G09F
3/201; G09F 3/204

See application file for complete search history.

(56) **References Cited**

U.S. PATENT DOCUMENTS

1,943,295 A 1/1934 Block
4,593,824 A 6/1986 Pfeifer
D322,634 S 12/1991 Callas
6,026,603 A 2/2000 Kump et al.
D423,592 S 4/2000 Wamsley
6,082,687 A 7/2000 Kump et al.
D453,534 S 2/2002 Kosir
D453,798 S 2/2002 Gray

OTHER PUBLICATIONS

FFR-DSI Total Retail Solutions Yellow Pages 2013 Product Catalog, "Renew / Refresh / Remodel", 2013, Cover page and pp. 60, 61, 87, 95, 100-102, 105-108, 110, 123-125, 134-136, 139-142, 148-150, 152, 156, 157, 173, 174.

Primary Examiner — Mary Ann Calabrese
(74) *Attorney, Agent, or Firm* — Honigman Miller Schwartz and Cohn LLP; Jeffrey A. Chelstrom; Jonathan P. O'Brien

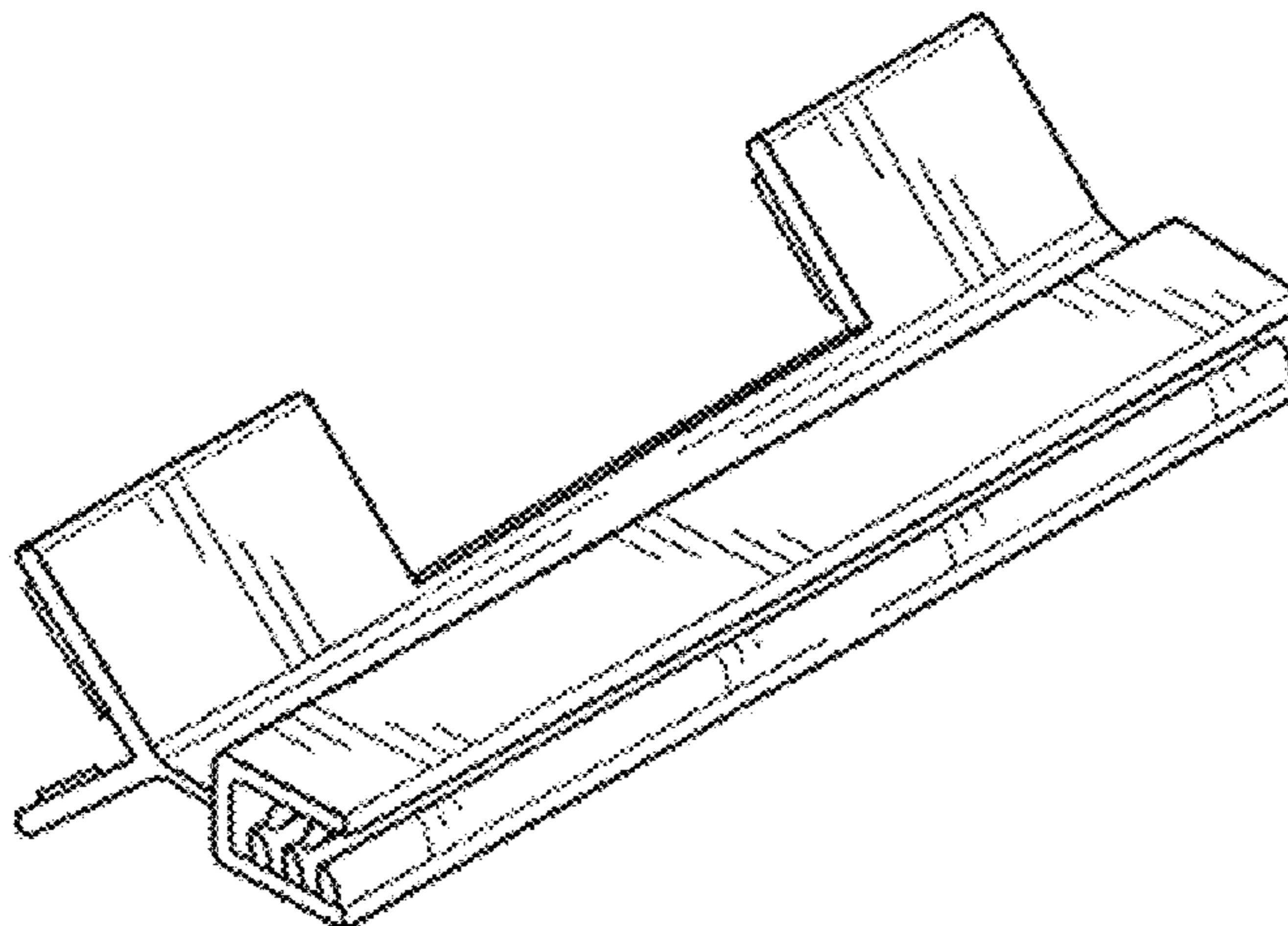
(57) **CLAIM**

The ornamental design for a corner mount sign holder, as shown and described.

DESCRIPTION

FIG. 1 is a front perspective view of a corner mount sign holder showing our new design;
FIG. 2 is a front elevational view thereof;
FIG. 3 is a rear elevational view thereof;
FIG. 4 is a top plan view thereof, with a bottom plan view being a mirror image thereof; and,
FIG. 5 is a left end elevational view thereof, with a right end elevational view being a mirror image thereof.

1 Claim, 1 Drawing Sheet



(56)

References Cited

U.S. PATENT DOCUMENTS

D689,949 S * 9/2013 Valls D20/43
D692,497 S * 10/2013 Valls D20/43
D750,710 S * 3/2016 Watson D20/43

* cited by examiner

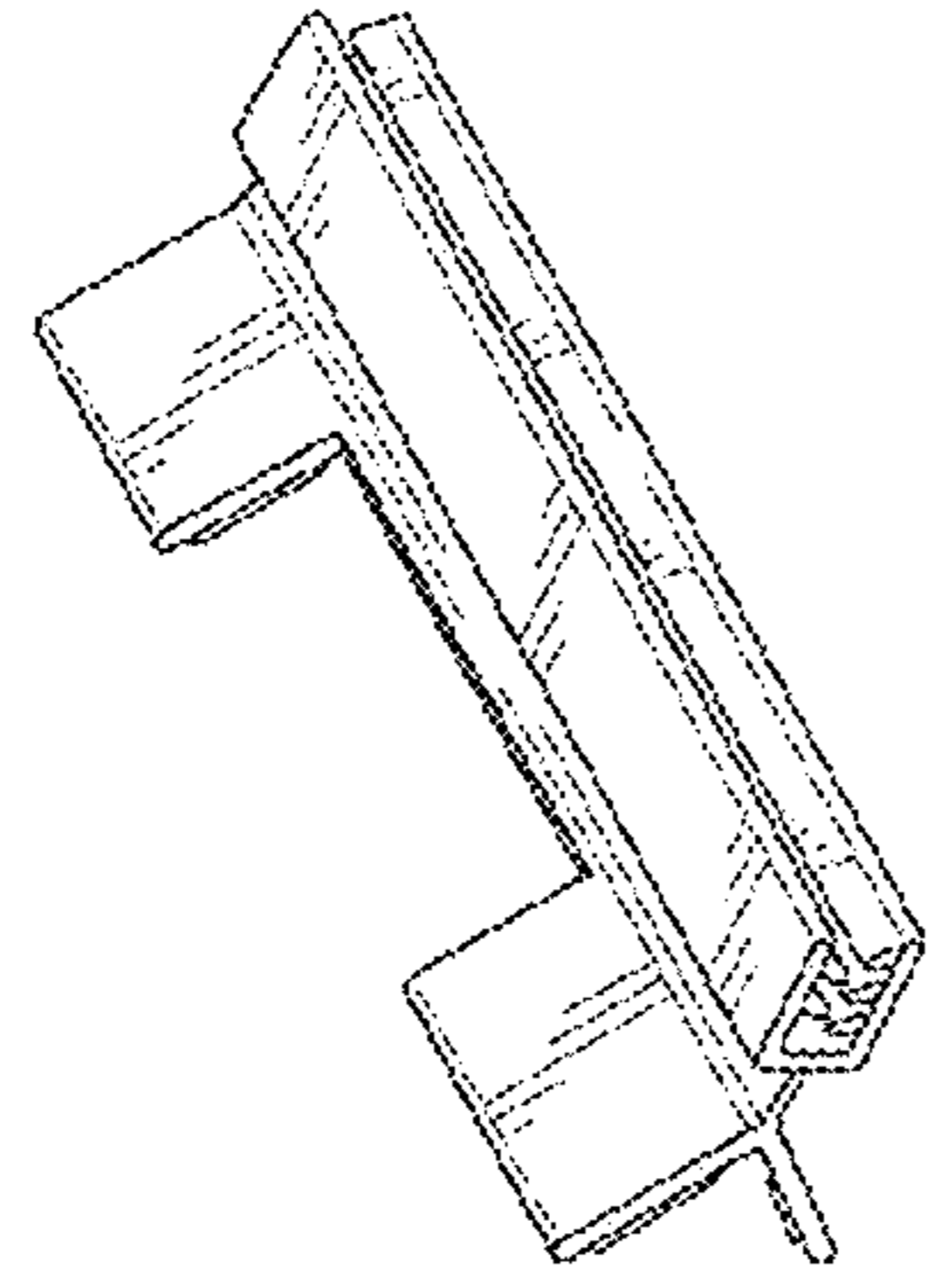


FIG. 1

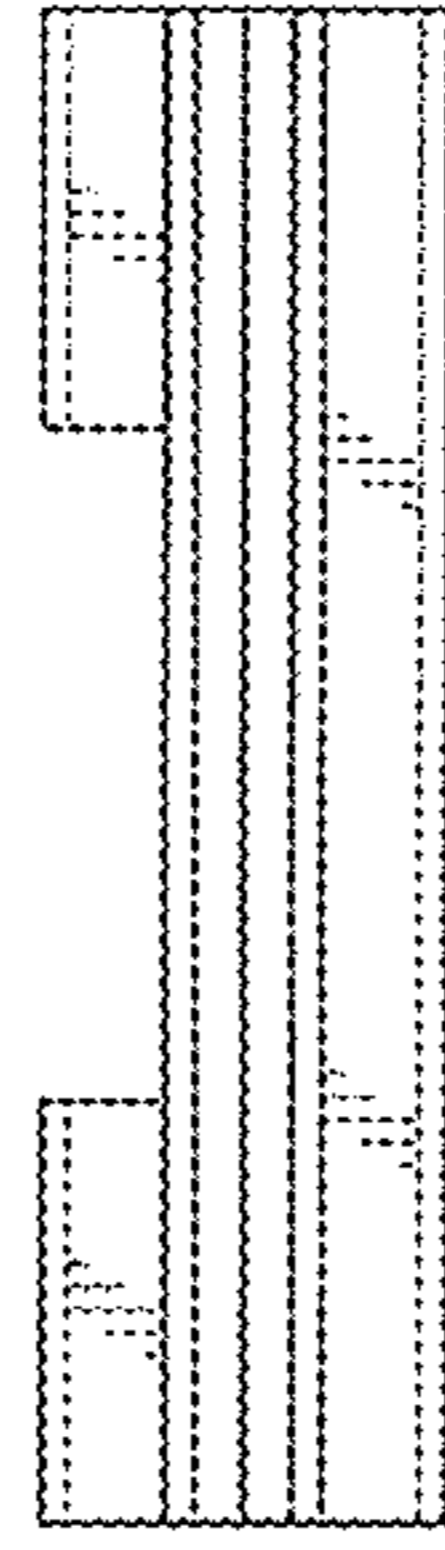


FIG. 2

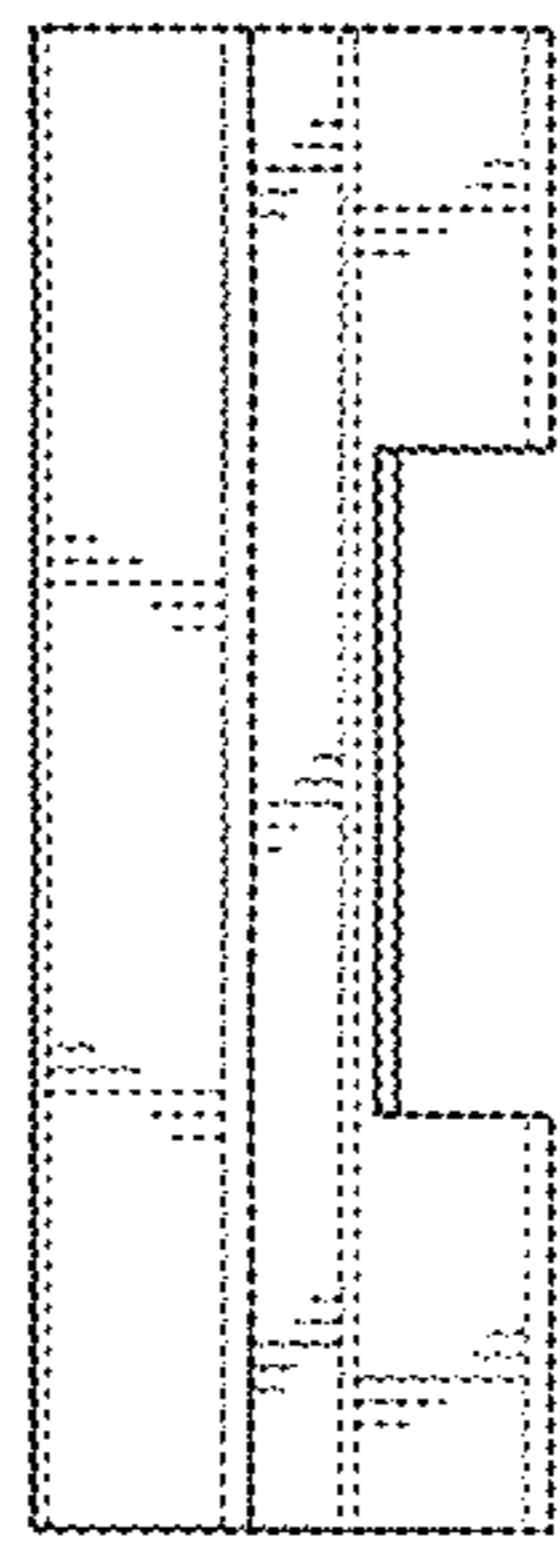


FIG. 4

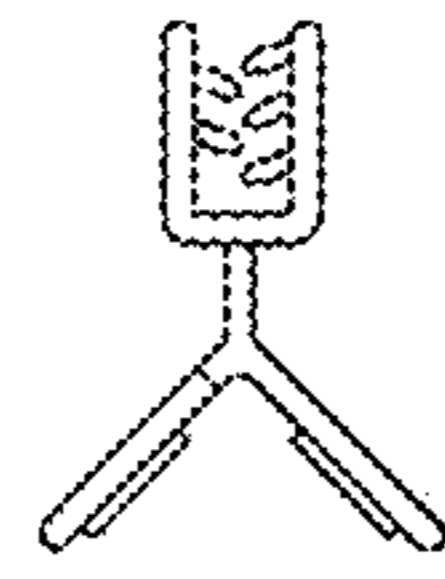


FIG. 5

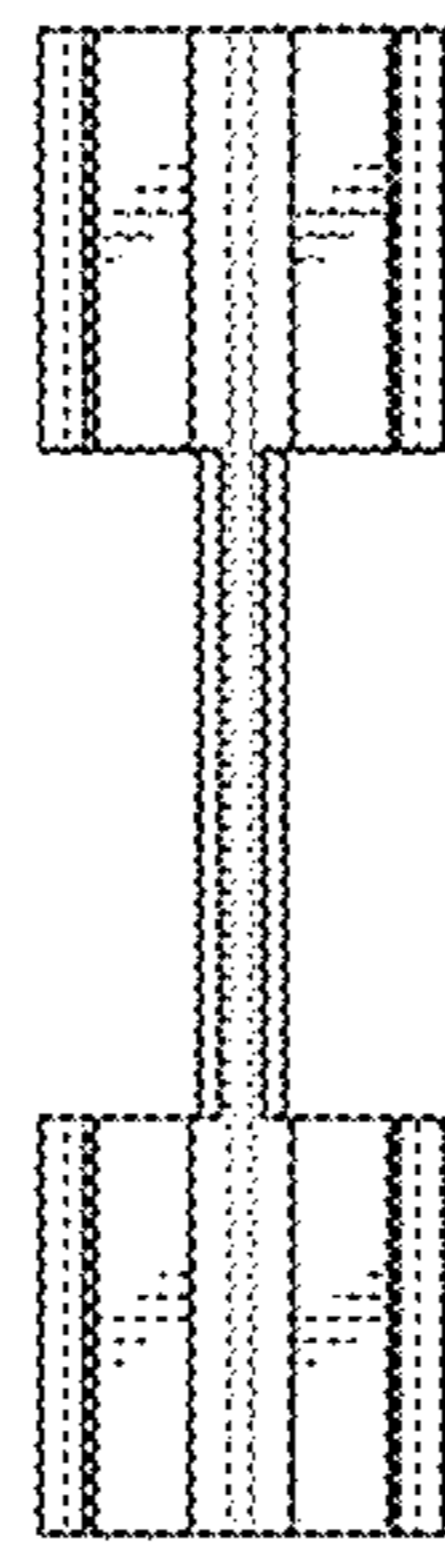


FIG. 3