



US00D787602S

(12) **United States Design Patent** (10) **Patent No.:** **US D787,602 S**
Watson et al. (45) **Date of Patent:** **** May 23, 2017**

(54) **CORNER MOUNT SIGN HOLDER**

(71) Applicant: **Fasteners For Retail, Inc.**, Twinsburg, OH (US)

(72) Inventors: **Heather Watson**, Aurora, OH (US);
William H. Walker, Fairlawn, OH (US)

(73) Assignee: **Fasteners For Retail, Inc.**, Twinsburg, OH (US)

(**) Term: **15 Years**

(21) Appl. No.: **29/552,155**

(22) Filed: **Jan. 20, 2016**

Related U.S. Application Data

(62) Division of application No. 29/477,534, filed on Dec. 23, 2013, now Pat. No. Des. 750,710.

(51) **LOC (10) Cl.** **20-03**

(52) **U.S. Cl.**
USPC **D20/43**

(58) **Field of Classification Search**
USPC D20/10, 19, 43, 44, 99; D25/119, 121
CPC ... G09F 1/10; G09F 1/103; G09F 1/12; G09F 2001/106; G09F 3/18; G09F 3/185; G09F 3/20; G09F 3/201; G09F 3/204
See application file for complete search history.

(56) **References Cited**

U.S. PATENT DOCUMENTS

1,943,295 A	1/1934	Block
4,593,824 A	6/1986	Pfeifer
D322,634 S	12/1991	Callas
6,026,603 A	2/2000	Kump et al.
D423,592 S	4/2000	Wamsley
6,082,687 A	7/2000	Kump et al.
D453,534 S	2/2002	Kosir
D453,798 S	2/2002	Gray

D454,373 S	3/2002	Kosir	
D454,593 S	3/2002	Kosir	
D454,917 S	3/2002	Mueller	
D454,918 S	3/2002	Wamsley et al.	
D480,433 S	10/2003	Wildrick	
D480,949 S	10/2003	Kosir	
D487,115 S	2/2004	Kosir	
D487,290 S	3/2004	Kosir	
6,698,124 B2	3/2004	Kump et al.	
D511,548 S	11/2005	Wamsley	
7,740,144 B2	6/2010	Kosir	
7,946,066 B2	5/2011	Wamsley	
8,308,880 B2 *	11/2012	White B23P 19/00 156/60
D689,949 S *	9/2013	Valls D20/43

(Continued)

OTHER PUBLICATIONS

FFR-DSI Total Retail Solutions Yellow Pages 2013 Product Catalog, "Renew / Refresh / Remodel", 2013, Cover page and pp. 60, 61, 87, 95, 100-102, 105-108, 110, 123-125, 134-136, 139-142, 148-150, 152, 156, 157, 173, 174.

Primary Examiner — Mary Ann Calabrese
(74) *Attorney, Agent, or Firm* — Honigman Miller Schwartz and Cohn LLP; Jeffrey A. Chelstrom; Jonathan P. O'Brien

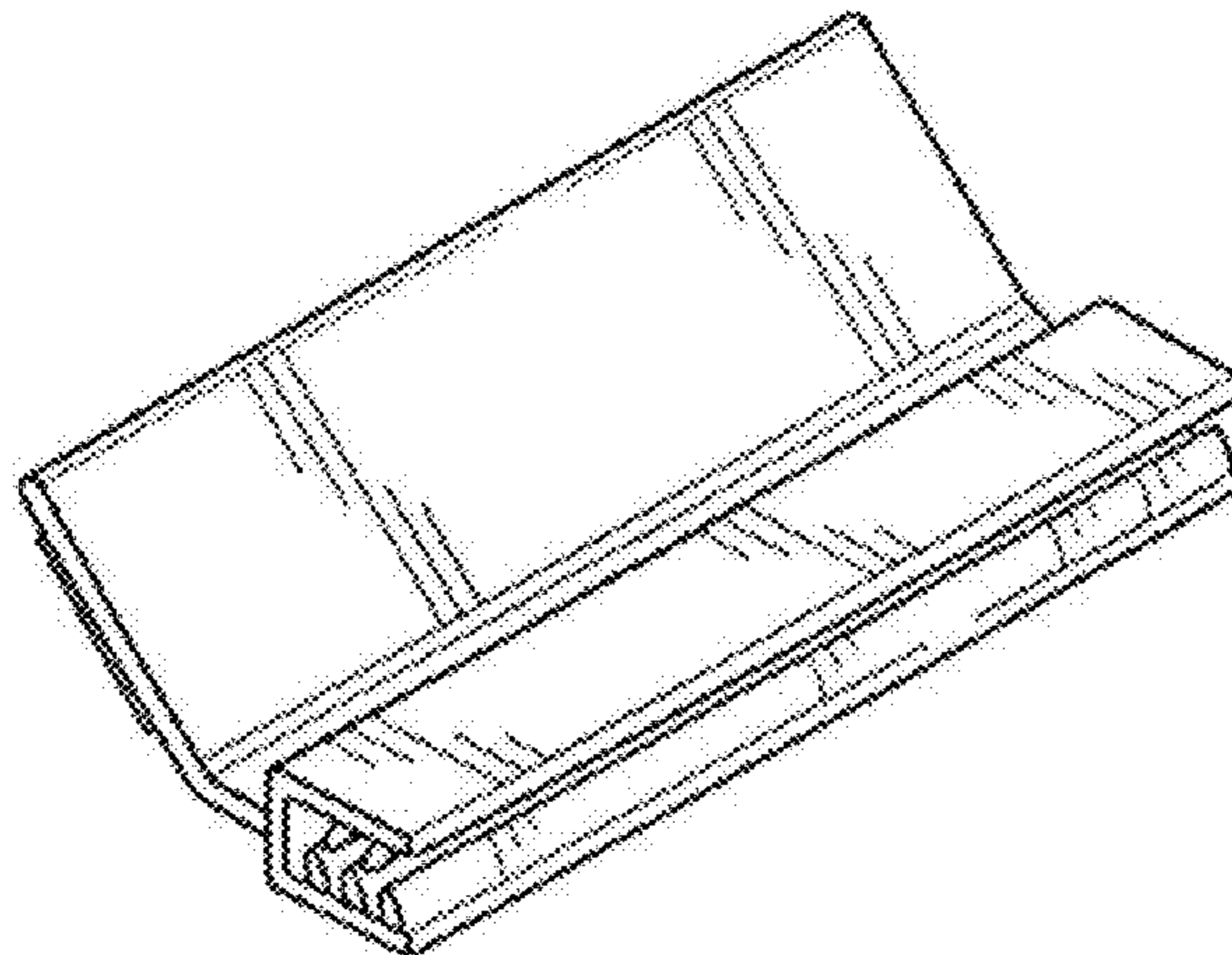
(57) **CLAIM**

The ornamental design for a corner mount sign holder, as shown and described.

DESCRIPTION

FIG. 1 is a front perspective view of a corner mount sign holder showing our new design;
FIG. 2 is a front elevational view thereof;
FIG. 3 is a rear elevational view thereof;
FIG. 4 is a top plan view thereof; and,
FIG. 5 is a left end elevational view thereof, with a right end elevational view being a mirror image thereof.

1 Claim, 1 Drawing Sheet



(56)

References Cited

U.S. PATENT DOCUMENTS

D692,497 S * 10/2013 Valls D20/43
D750,710 S * 3/2016 Watson D20/43

* cited by examiner

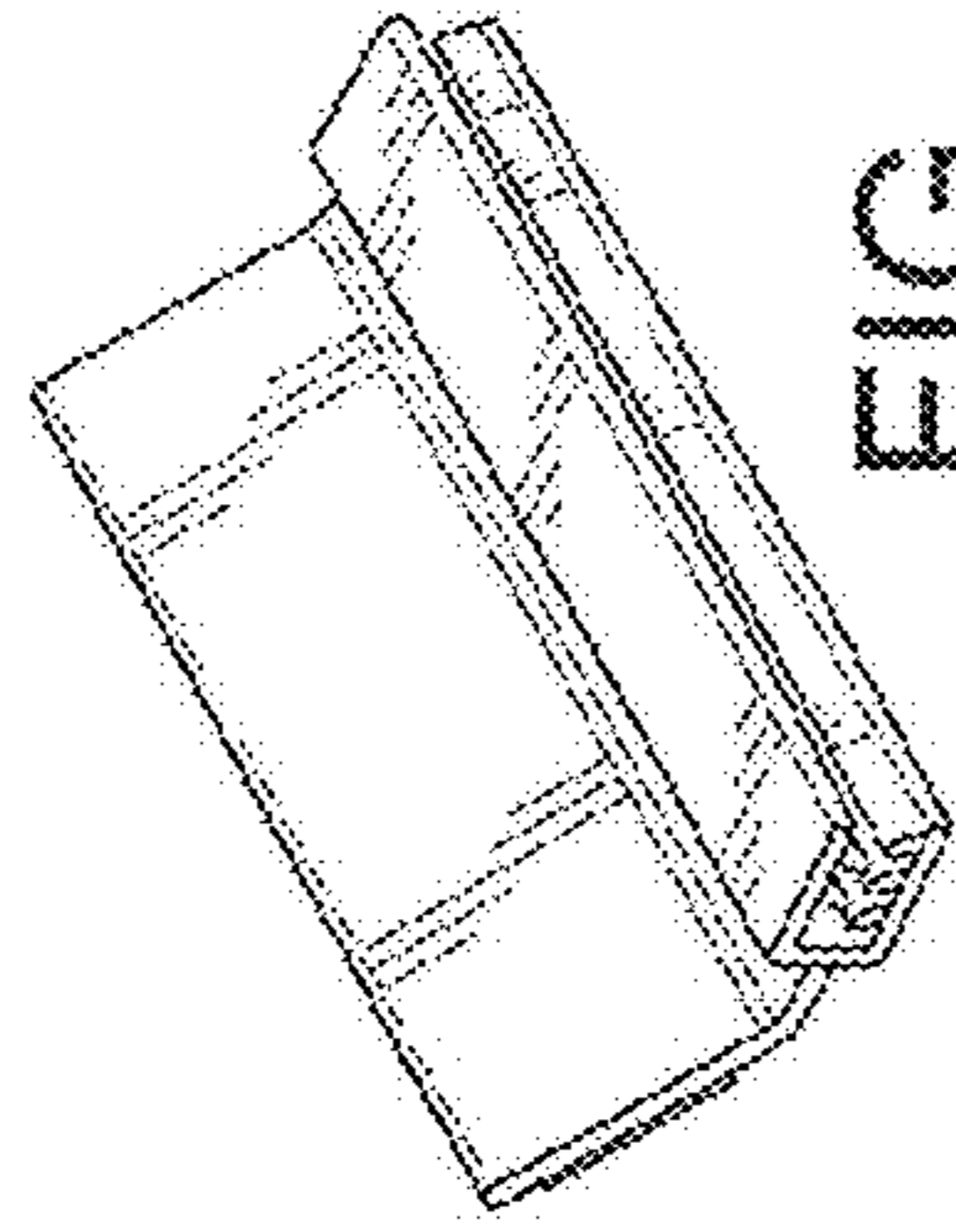


FIG. 1

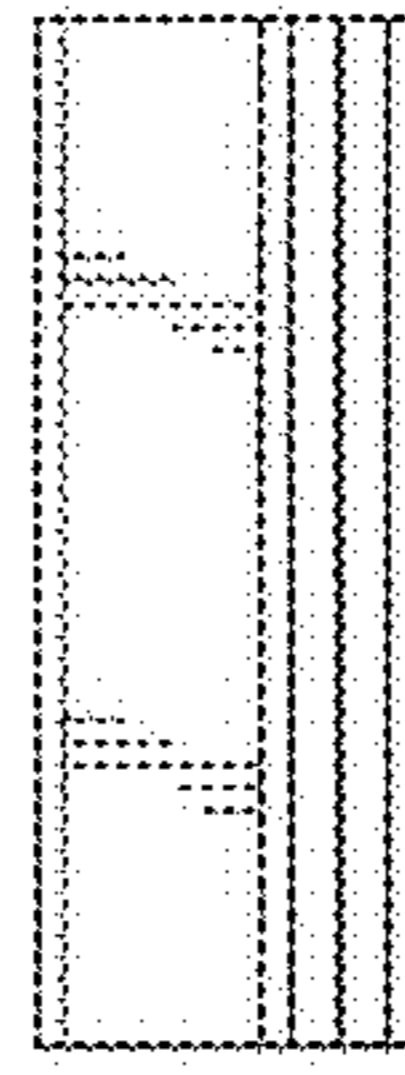


FIG. 2

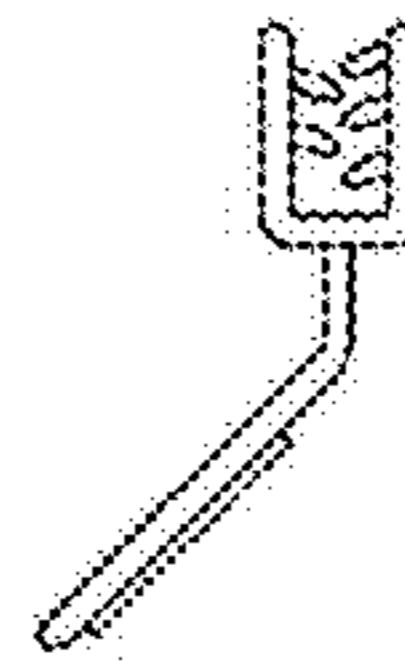


FIG. 5

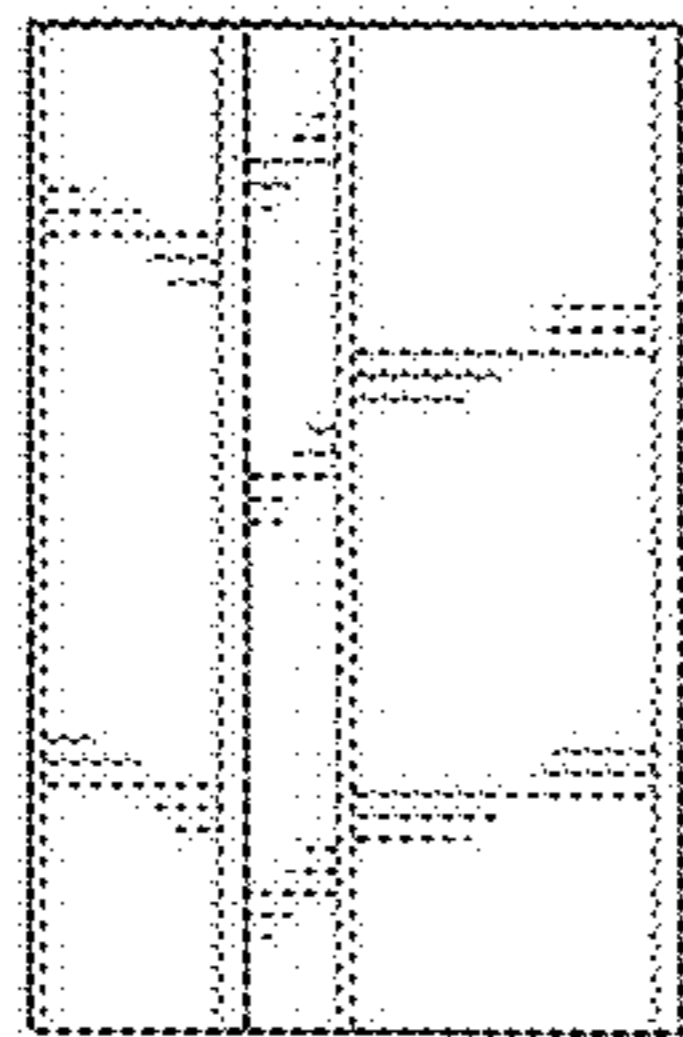


FIG. 4

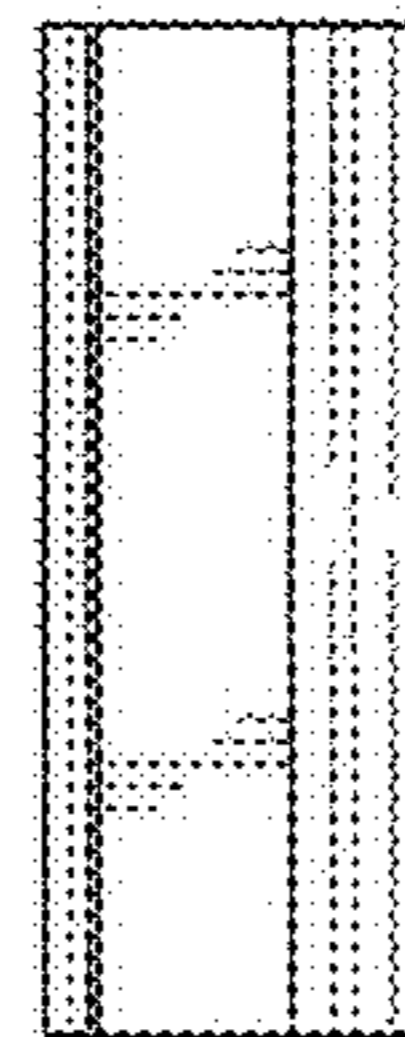


FIG. 3