



US00D787601S

(12) **United States Design Patent**  
**Kott et al.**

(10) **Patent No.: US D787,601 S**

(45) **Date of Patent: \*\* \*May 23, 2017**

- (54) **DISPLAY HOLDER PLATE**
- (71) Applicant: **Ilgen Products Ltd.**, Richmond (CA)
- (72) Inventors: **Marla Charisse Kott**, Vancouver (CA);  
**Kristin Sarah MacMillan**, West  
Vancouver (CA); **Alexander Jeffrey  
Feldman**, Vancouver (CA); **Robbie  
Gordon Roberts**, Port Moody (CA)
- (73) Assignee: **ILLEN PRODUCTS LTD.**, Richmond  
(CA)

- 1,570,368 A 1/1926 Zeh
- D115,418 S 6/1939 Meuller
- D152,399 S 1/1949 Dwinell
- D152,497 S 1/1949 Price et al.
- 2,564,110 A 8/1951 Howenstine et al.
- D213,625 S 3/1969 Jensen et al.
- D234,166 S 1/1975 Silverman
- D234,274 S 2/1975 Seyler
- D280,469 S 9/1985 Heyman et al.
- D281,705 S 12/1985 Rosenberg
- D303,402 S 9/1989 Brown
- D320,235 S 9/1991 Hofman

(Continued)

(\*) Notice: This patent is subject to a terminal disclaimer.

(\*\*) Term: **15 Years**

(21) Appl. No.: **29/527,819**

(22) Filed: **May 21, 2015**

(30) **Foreign Application Priority Data**

Nov. 21, 2014 (EM) ..... 002582643

(51) **LOC (10) Cl.** ..... **20-03**

(52) **U.S. Cl.**  
USPC ..... **D20/43**

(58) **Field of Classification Search**

USPC ..... D20/10, 15, 43, 44, 99; D6/300, 314  
CPC ... G09F 1/10; G09F 1/103; G09F 1/12; G09F  
1/14; G09F 2001/106; G09F 3/18; G09F  
3/185; G09F 3/20; G09F 3/201; G09F  
3/202; G09F 3/204; G09F 3/207; G09F  
15/0012; G09F 15/0018; G09F 15/0025;  
A47G 1/06; A47G 1/0616; C03B 23/023

See application file for complete search history.

(56) **References Cited**

**U.S. PATENT DOCUMENTS**

D14,417 S 11/1883 De Planque  
1,400,564 A 12/1921 Metzger

**FOREIGN PATENT DOCUMENTS**

CA 91099 12/2000  
CA 108005 9/2005

(Continued)

**OTHER PUBLICATIONS**

Imprint Plus, "solutions 2007 product sampler", 2007.

*Primary Examiner* — Mary Ann Calabrese

(74) *Attorney, Agent, or Firm* — Oyen Wiggs Green &  
Mutala LLP

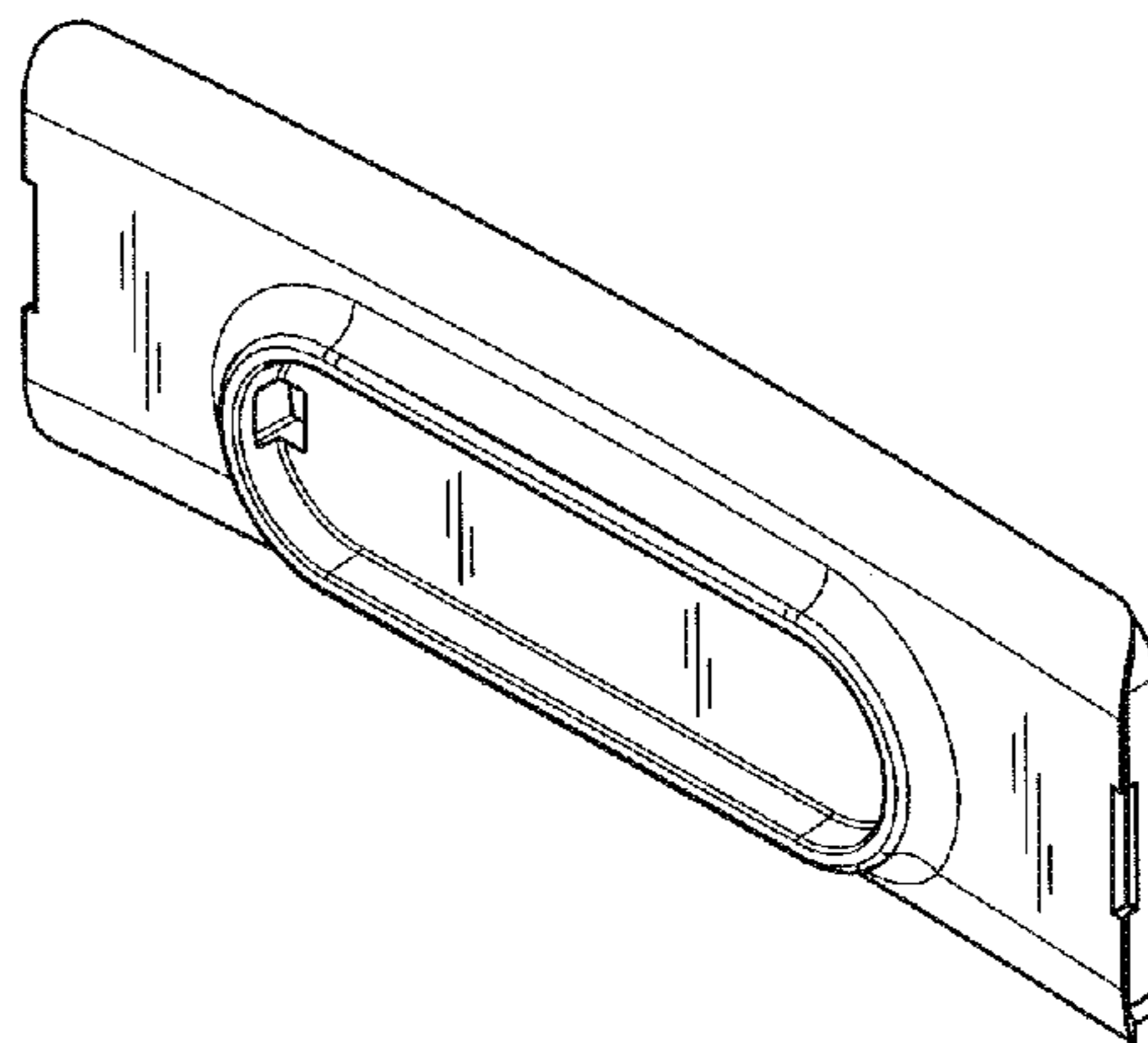
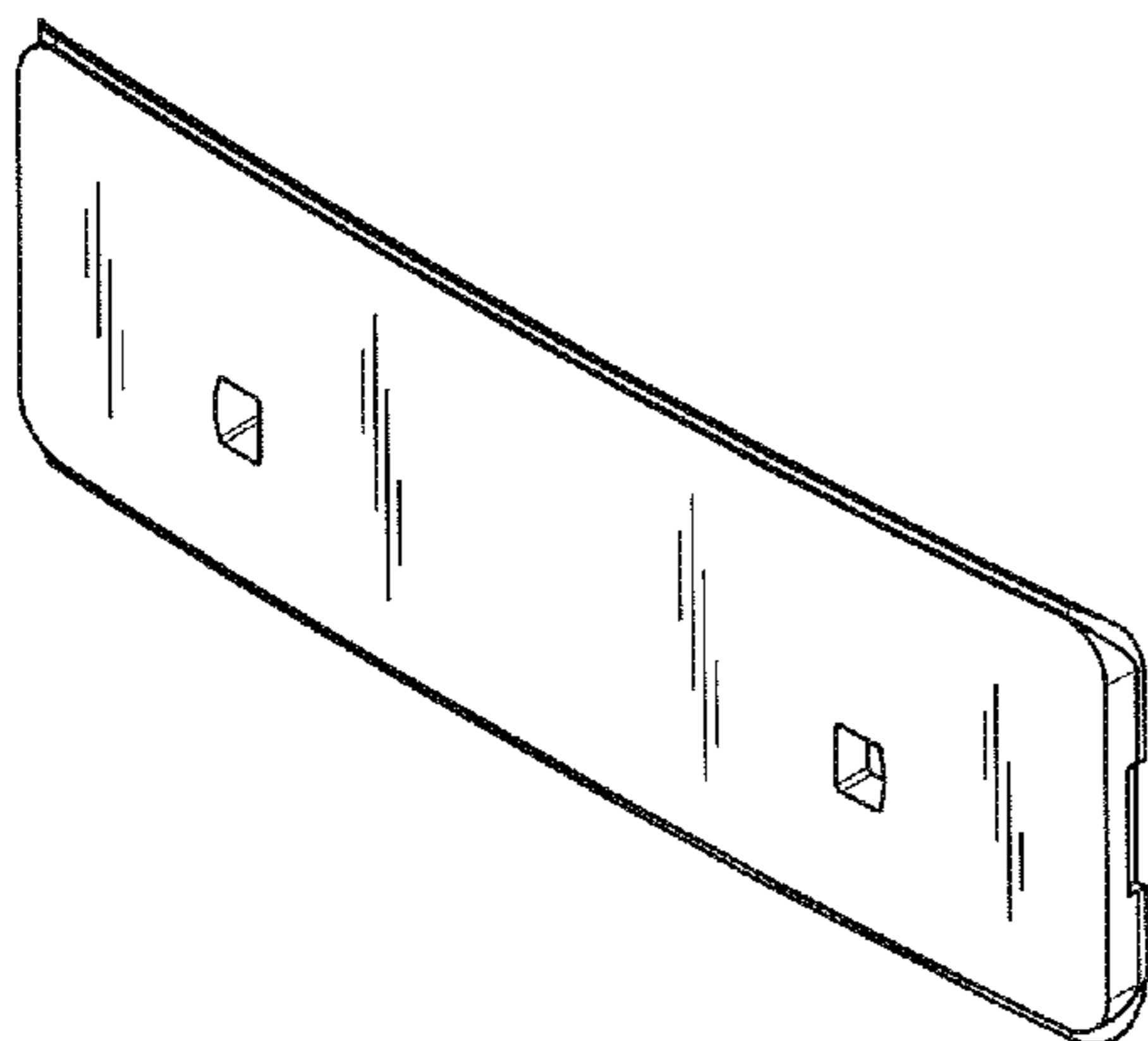
(57) **CLAIM**

The ornamental design for a display holder plate, as shown and described.

**DESCRIPTION**

FIG. 1 is a front perspective view of a first embodiment of the display holder plate;  
FIG. 2 is a rear perspective view thereof;  
FIG. 3 is a front view thereof;  
FIG. 4 is a rear view thereof;  
FIG. 5 is a top view thereof;  
FIG. 6 is a bottom view thereof;  
FIG. 7 is a first side view thereof; and,  
FIG. 8 is a second side view thereof.

**1 Claim, 3 Drawing Sheets**



(56)

References Cited

U.S. PATENT DOCUMENTS

D351,694 S 10/1994 Evans  
 5,369,899 A 12/1994 Reeves  
 D382,598 S 8/1997 Schroepfel  
 D382,735 S 8/1997 Zapf  
 D386,209 S 11/1997 Firestone et al.  
 5,714,215 A 2/1998 Sheffield et al.  
 D434,452 S 11/2000 Steiner et al.  
 D443,655 S 6/2001 Chaikel et al.  
 D448,579 S 10/2001 Prade  
 6,446,372 B1 9/2002 Reeves  
 D480,760 S \* 10/2003 Wieth ..... D20/10  
 D483,653 S 12/2003 Immerman  
 6,726,252 B1 4/2004 Chaikel et al.  
 6,742,294 B1 6/2004 Fossum  
 D493,640 S 8/2004 Nemec et al.  
 D500,091 S \* 12/2004 Sjoberg ..... D20/43  
 D546,892 S 7/2007 Bruegmann  
 D548,796 S 8/2007 Sachnoff  
 D574,819 S 8/2008 Andre et al.  
 7,421,810 B2 9/2008 Schymura  
 D593,614 S \* 6/2009 Didulo ..... D20/43  
 D595,362 S 6/2009 Maier-Hunke  
 D619,361 S 7/2010 Andre et al.  
 D622,716 S 8/2010 Andre et al.  
 D643,467 S 8/2011 Yi et al.  
 D644,693 S 9/2011 Braat et al.  
 D649,195 S 11/2011 Yi et al.  
 D649,594 S 11/2011 Yi et al.

D667,412 S 9/2012 Wang et al.  
 D716,380 S \* 10/2014 Burkhart ..... D20/43  
 9,061,934 B2 6/2015 Bisson et al.  
 D740,367 S 10/2015 White  
 D744,040 S 11/2015 Schloss  
 9,189,983 B2 \* 11/2015 English ..... G09F 23/00  
 9,196,177 B2 \* 11/2015 English ..... G09F 7/18  
 2006/0086025 A1 \* 4/2006 Benedict ..... G09F 15/0025  
 40/606.12  
 2008/0226846 A1 9/2008 Hill  
 2009/0033648 A1 \* 2/2009 Podd ..... B60Q 1/503  
 345/211  
 2009/0101025 A1 4/2009 Penson  
 2010/0223826 A1 9/2010 Brown  
 2011/0159333 A1 6/2011 Xie et al.  
 2013/0337224 A1 12/2013 Odani et al.  
 2014/0065366 A1 3/2014 Joubaud  
 2015/0085220 A1 3/2015 Chen et al.  
 2015/0371566 A1 \* 12/2015 Kott ..... G09F 3/207  
 40/1.6

FOREIGN PATENT DOCUMENTS

CA 117158 12/2007  
 CA 133171 5/2011  
 EP 000672845-0001 5/2007  
 EP 000672845-0002 5/2007  
 EP 001641663-0001 12/2009  
 EP 001641663-0002 12/2009

\* cited by examiner

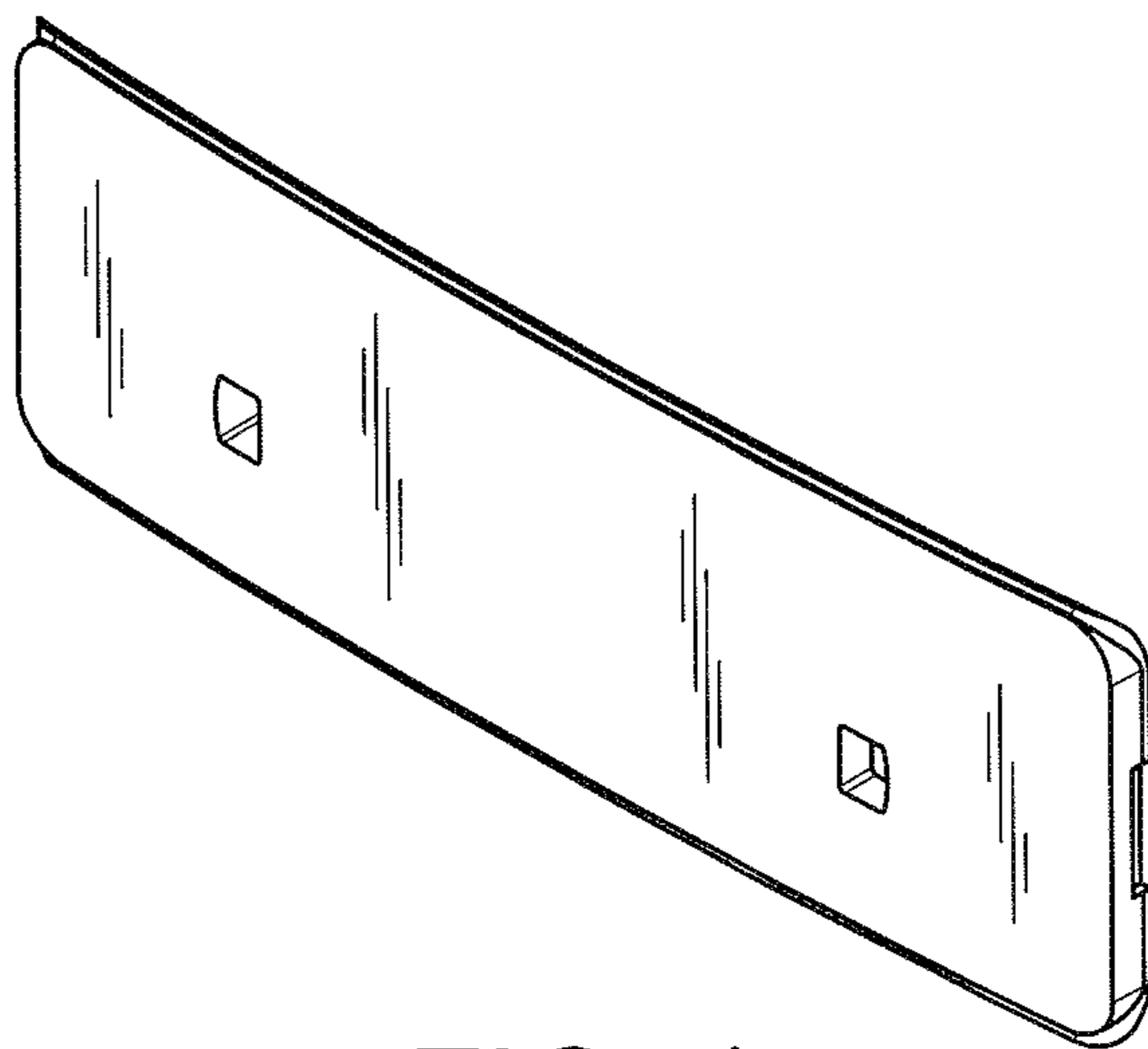


FIG. 1

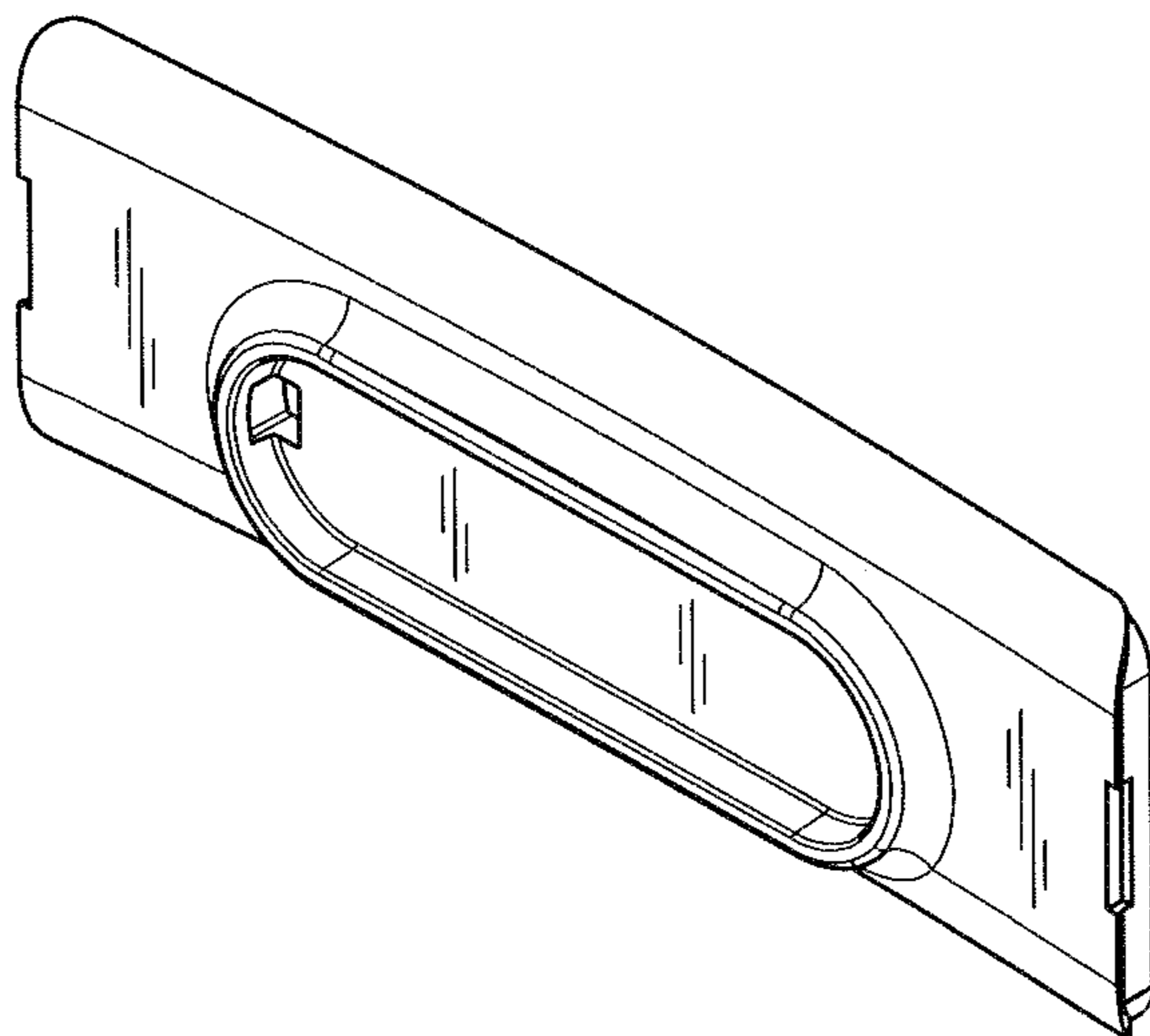


FIG. 2

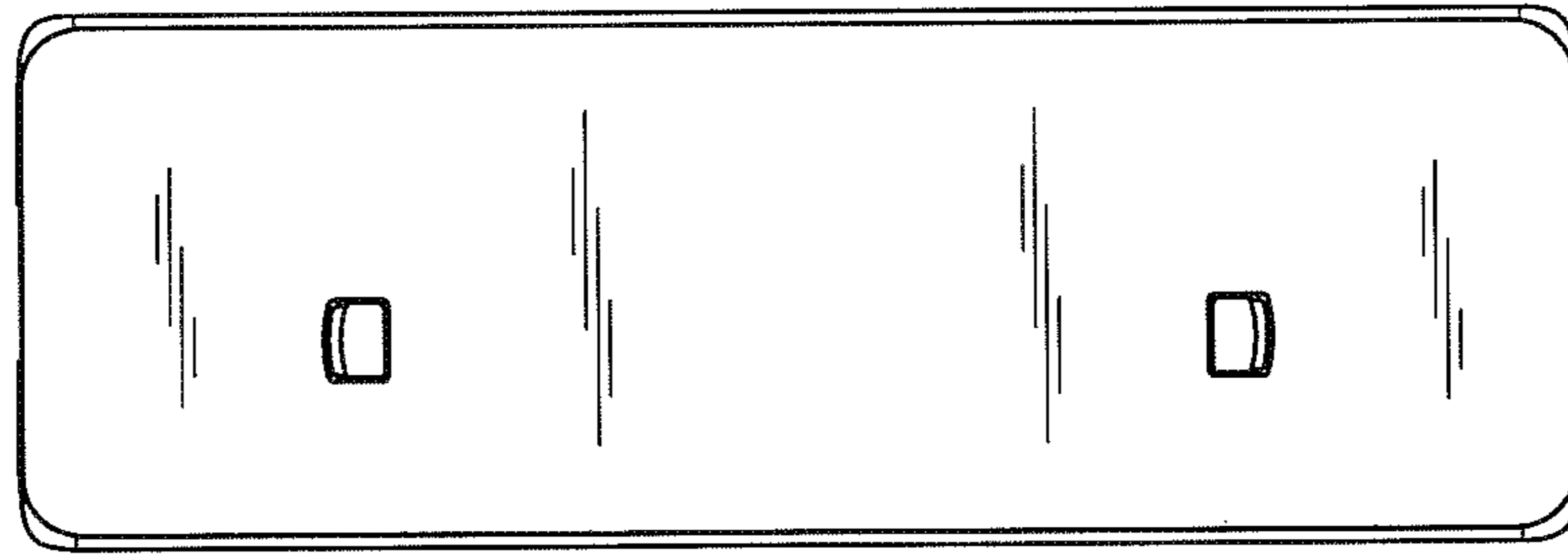


FIG. 3

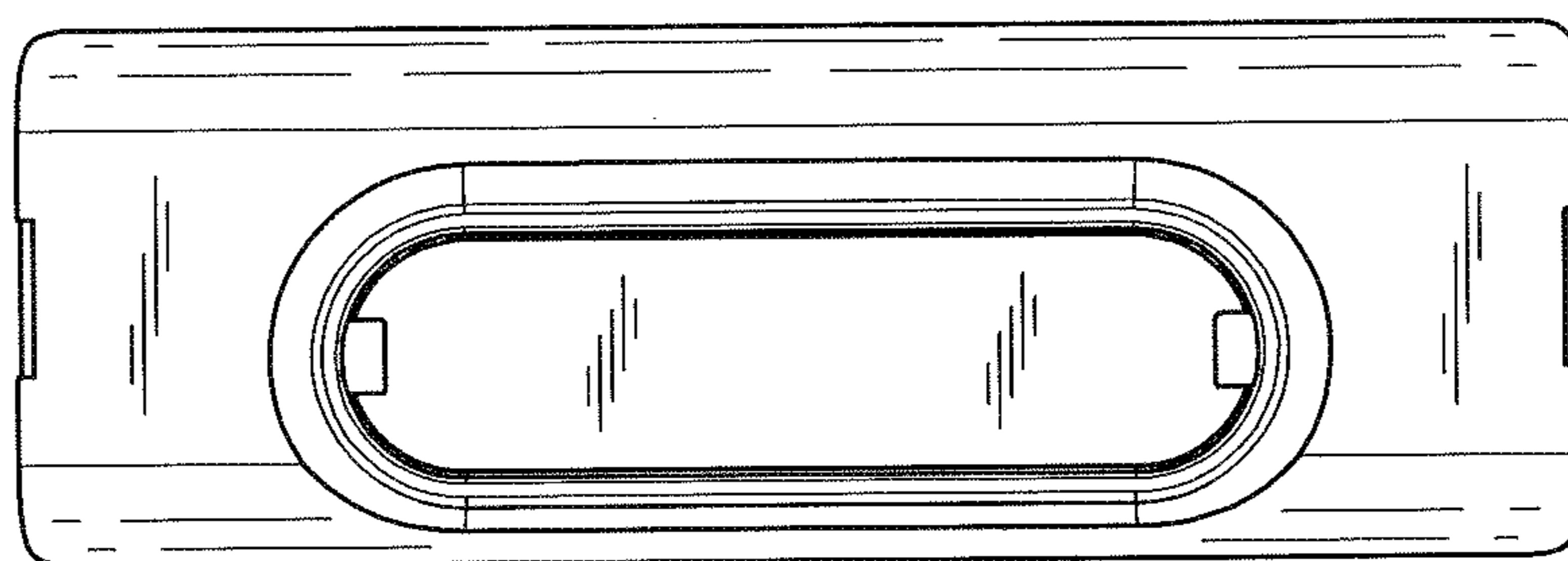


FIG. 4

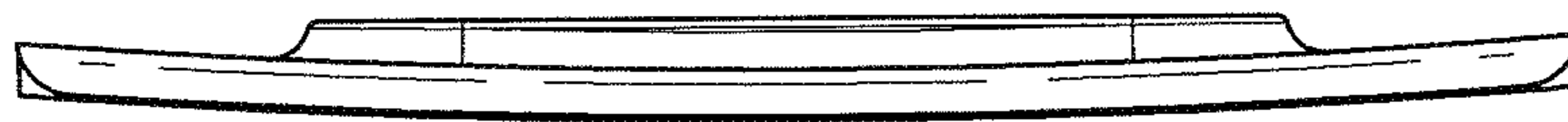


FIG. 5



FIG. 6



FIG. 7



FIG. 8