



US00D787598S

(12) **United States Design Patent** (10) **Patent No.:** **US D787,598 S**
Carr (45) **Date of Patent:** **** May 23, 2017**

(54) **LABEL**
(71) Applicant: **TUESDAY MORNING PARTNERS, LTD.**, Dallas, TX (US)
(72) Inventor: **Bridget Carr**, Colorado Springs, CO (US)
(73) Assignee: **TUESDAY MORNING PARTNERS, LTD.**, Dallas, TX (US)

D289,259 S 4/1987 Strand
D306,826 S 3/1990 Bormioli
D316,671 S 5/1991 Rohmeder
D316,961 S 5/1991 Hoenig
D398,639 S * 9/1998 Merrick D19/1
D426,581 S * 6/2000 Gall D12/193
D455,189 S 4/2002 Bradbury
6,848,204 B1 * 2/2005 Nowak G09F 21/04
40/200

(Continued)

(**) Term: **15 Years**

(21) Appl. No.: **29/540,471**

(22) Filed: **Sep. 24, 2015**

(51) **LOC (10) Cl.** **19-08**

(52) **U.S. Cl.**
USPC **D20/27**

(58) **Field of Classification Search**
USPC D20/11, 22-29, 40, 99; D9/457, 719; D19/1, 10
CPC G09F 1/00; G09F 1/02; G09F 3/00; G09F 3/02; G09F 3/10; G09F 3/14; G09F 3/18; G09F 3/0288; G09F 2003/0021; G09F 2003/0208; G09F 2003/023; G09F 2003/0225; G09F 2003/0257; G09F 2003/0264; G09F 2003/0266; G09F 2003/0267; G09F 2003/0269; G09F 2003/0272; G09F 2003/0273; G09F 2003/0279; G09F 2003/0292; B42D 15/00

See application file for complete search history.

(56) **References Cited**

U.S. PATENT DOCUMENTS

D54,836 S * 4/1920 Duane D20/23
D94,943 S * 3/1935 Best D20/17
2,076,549 A 4/1937 Conner
3,255,543 A * 6/1966 Plazibat G09F 21/04
40/591

OTHER PUBLICATIONS

“Christmas Gifts”, printed from <http://marthado.blogspot.com/2013/01/christmas-gifts.html>, posted Jan. 2, 2013 (5 pages).

(Continued)

Primary Examiner — Mary Ann Calabrese

(74) *Attorney, Agent, or Firm* — Haynes and Boone, LLP

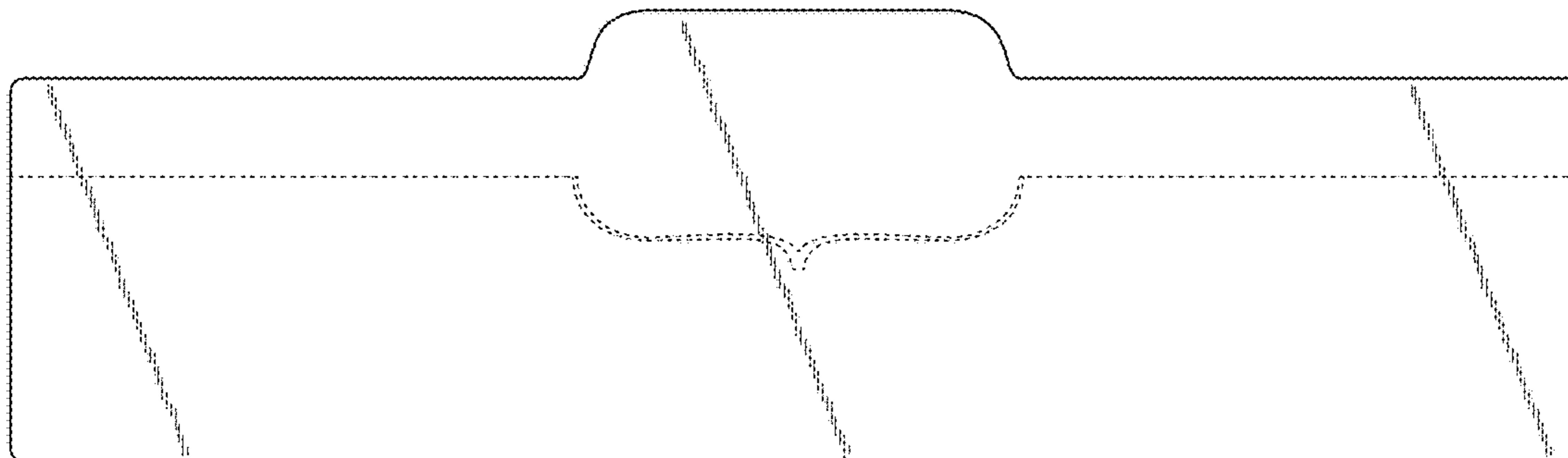
(57) **CLAIM**

The ornamental design for a label, as shown and described.

DESCRIPTION

FIG. 1 is a front perspective view of a label showing a first embodiment of our new design; FIG. 2 is a front view thereof; and FIG. 3 is a rear view thereof. FIG. 4 is front perspective view of the label of FIG. 1 on a jar having a cover; FIG. 5 is a front view thereof; FIG. 6 is a rear view thereof; FIG. 7 is a right side view thereof, the left side view being a mirror image of the right side view; FIG. 8 is a top view thereof; and, FIG. 9 is a bottom view thereof. The broken lines on the label illustrate portions of the article that form no part of the claimed design. The broken lines showing of a jar illustrate environment and form no part of the claimed design.

1 Claim, 5 Drawing Sheets



(56)

References Cited

U.S. PATENT DOCUMENTS

D505,699 S	5/2005	Lawson	
D535,701 S	1/2007	Lawson	
D565,665 S *	4/2008	McGough D20/11
D592,510 S	5/2009	Dell'Orto	
D641,046 S	7/2011	Swanson	
D656,012 S	3/2012	Leu et al.	
D659,539 S	5/2012	Bakic	
D675,926 S	2/2013	Tovar	
D725,709 S	3/2015	Lerner	
2011/0195217 A1 *	8/2011	Sato B42D 5/003 428/41.8

OTHER PUBLICATIONS

“Voyager Box Spice Set”, printed from <https://food52.com/shop/products/601-voyager-box-spice-set-by-eric-ripert-la-boite-limited-edition>, publicly available at least as early as May 12, 2015, per <http://web.archive.org> (5 pages).

“Penzey's Mini Gift Box”, printed from [www.penzeys.com/online-catalog/mini-gift-box-baker-\(brown\)/c-24/p-1567/pd-gb](http://www.penzeys.com/online-catalog/mini-gift-box-baker-(brown)/c-24/p-1567/pd-gb), publicly available at least as early as Jul. 17, 2015 (1 page).

“Apple Pie Spice—4 oz. Jar”, printed from www.kingarthurflour.com/shop/items/apple-pie-spice-4-oz-jar, publicly available at least as early as Sep. 21, 2014 (3 pages).

U.S. Appl. No. 29/540,425, filed Sep. 24, 2015 (16 pages).

* cited by examiner

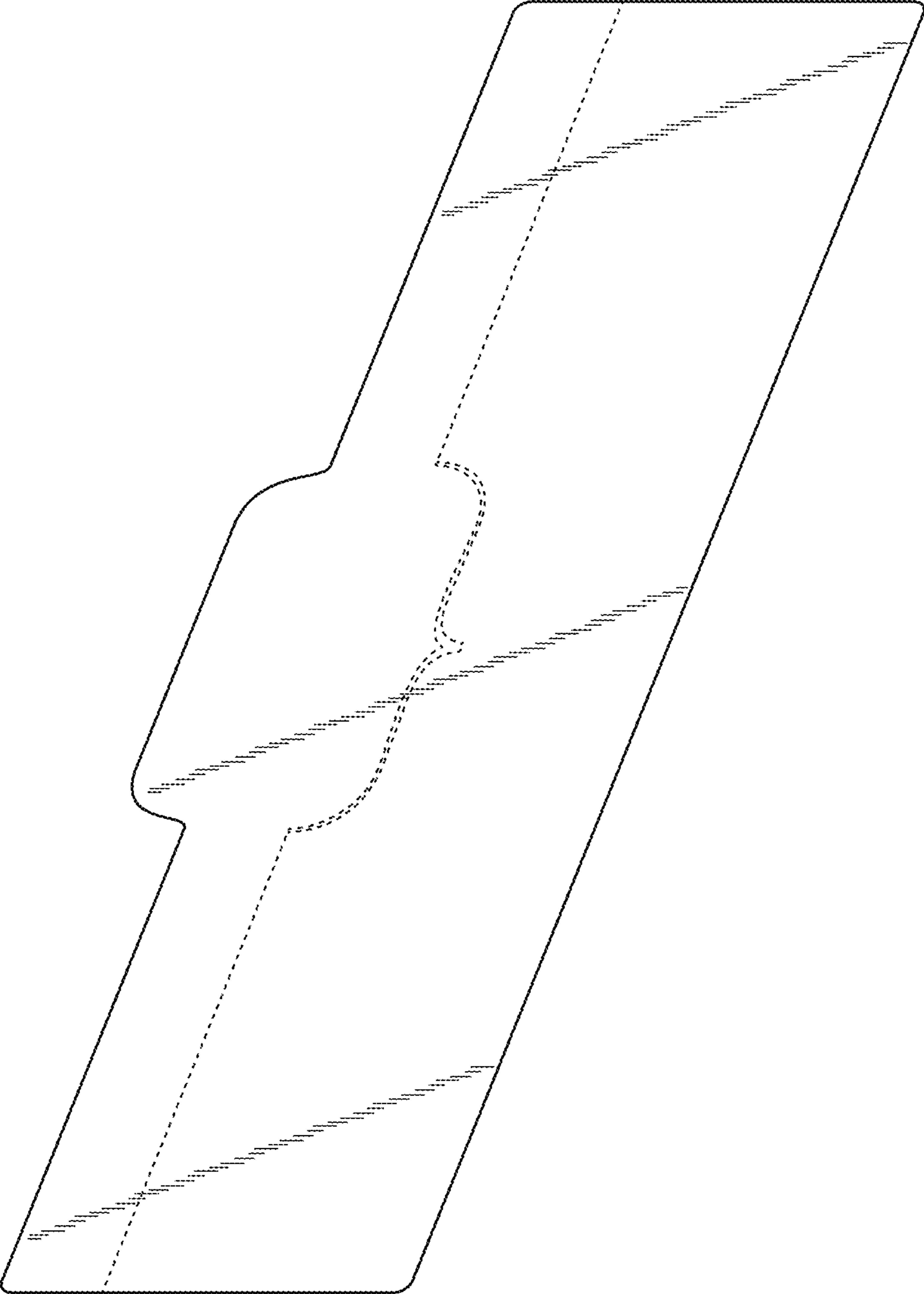


FIG. 1

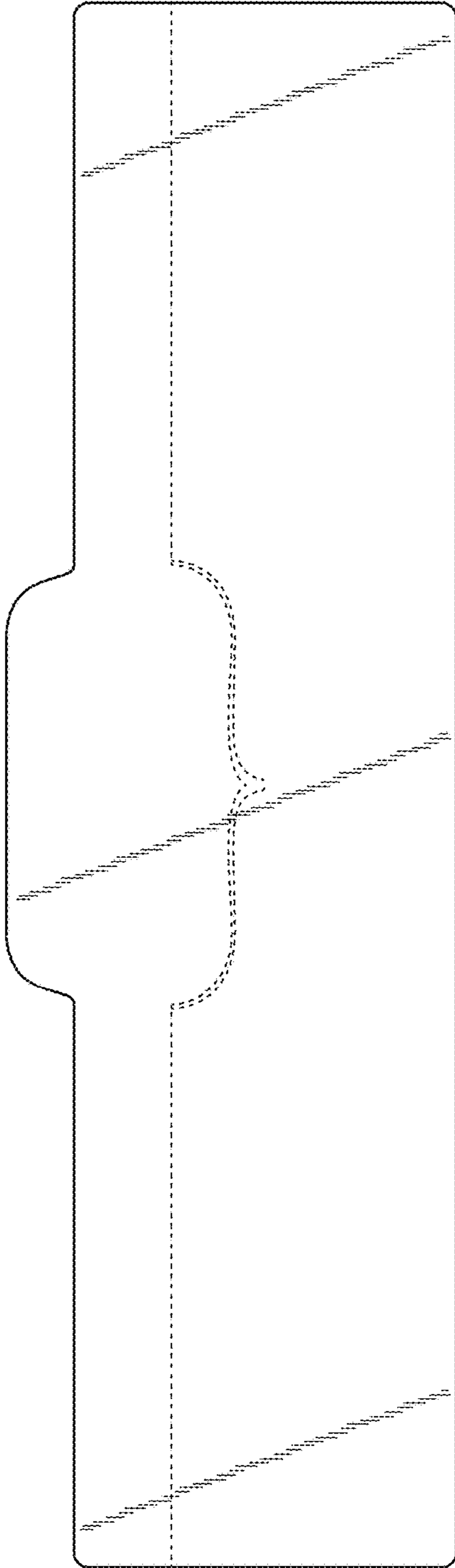


FIG. 2

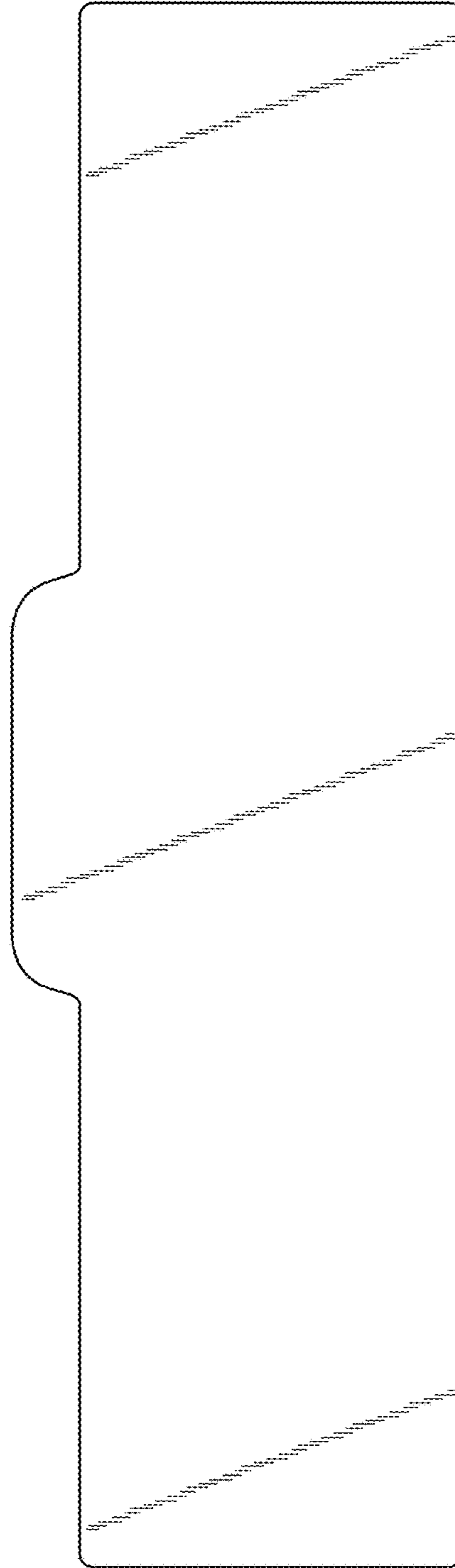


FIG. 3

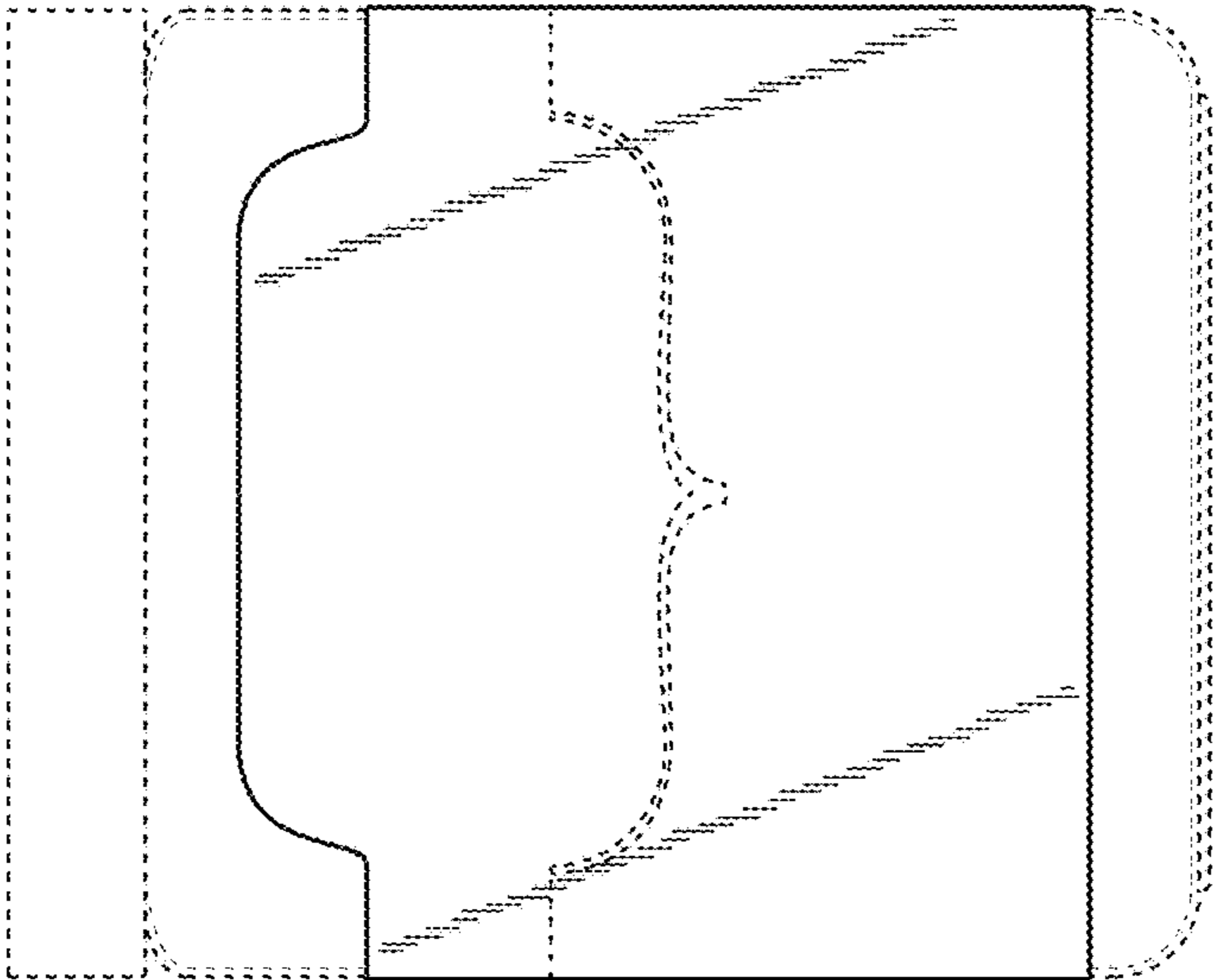


FIG. 5

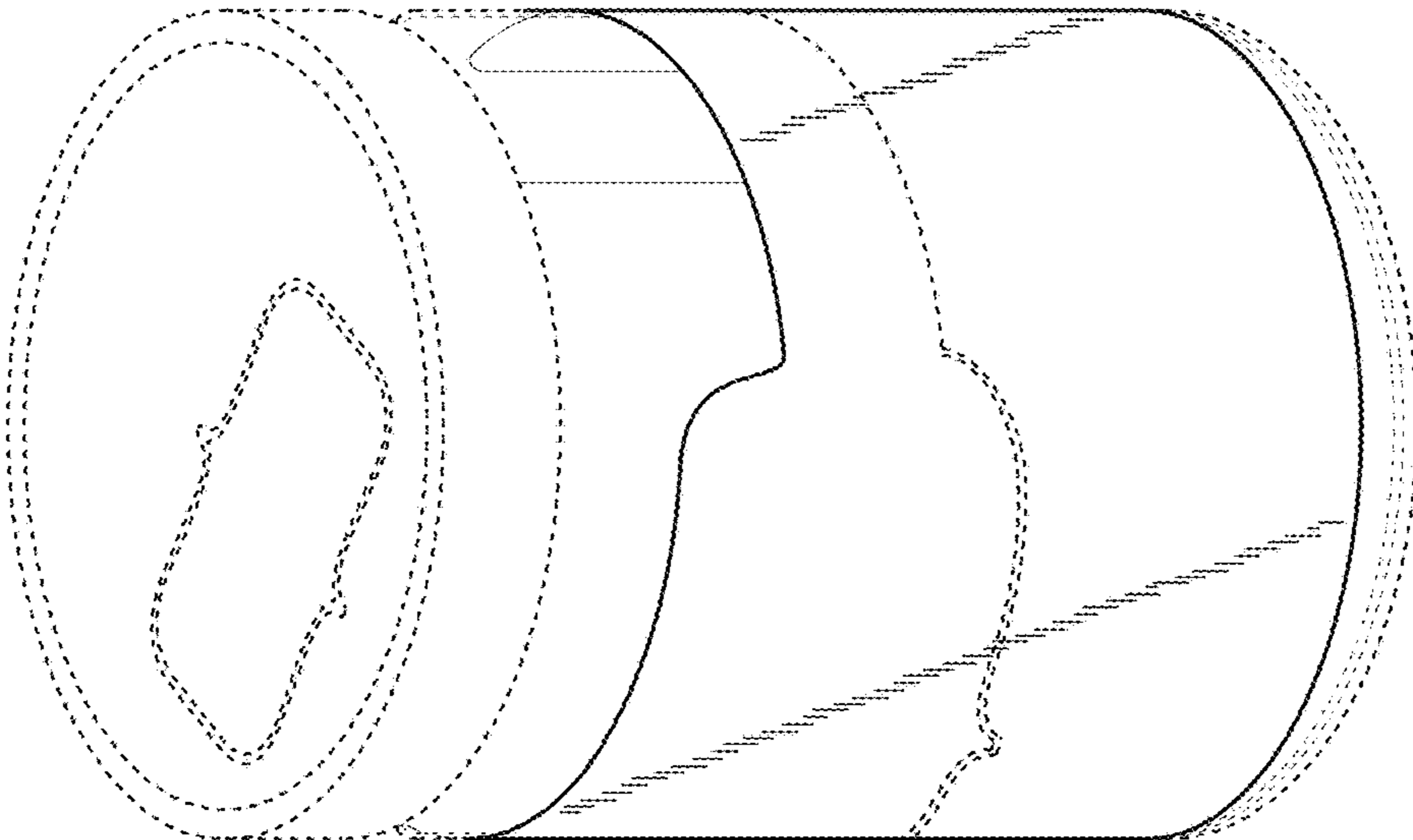


FIG. 4

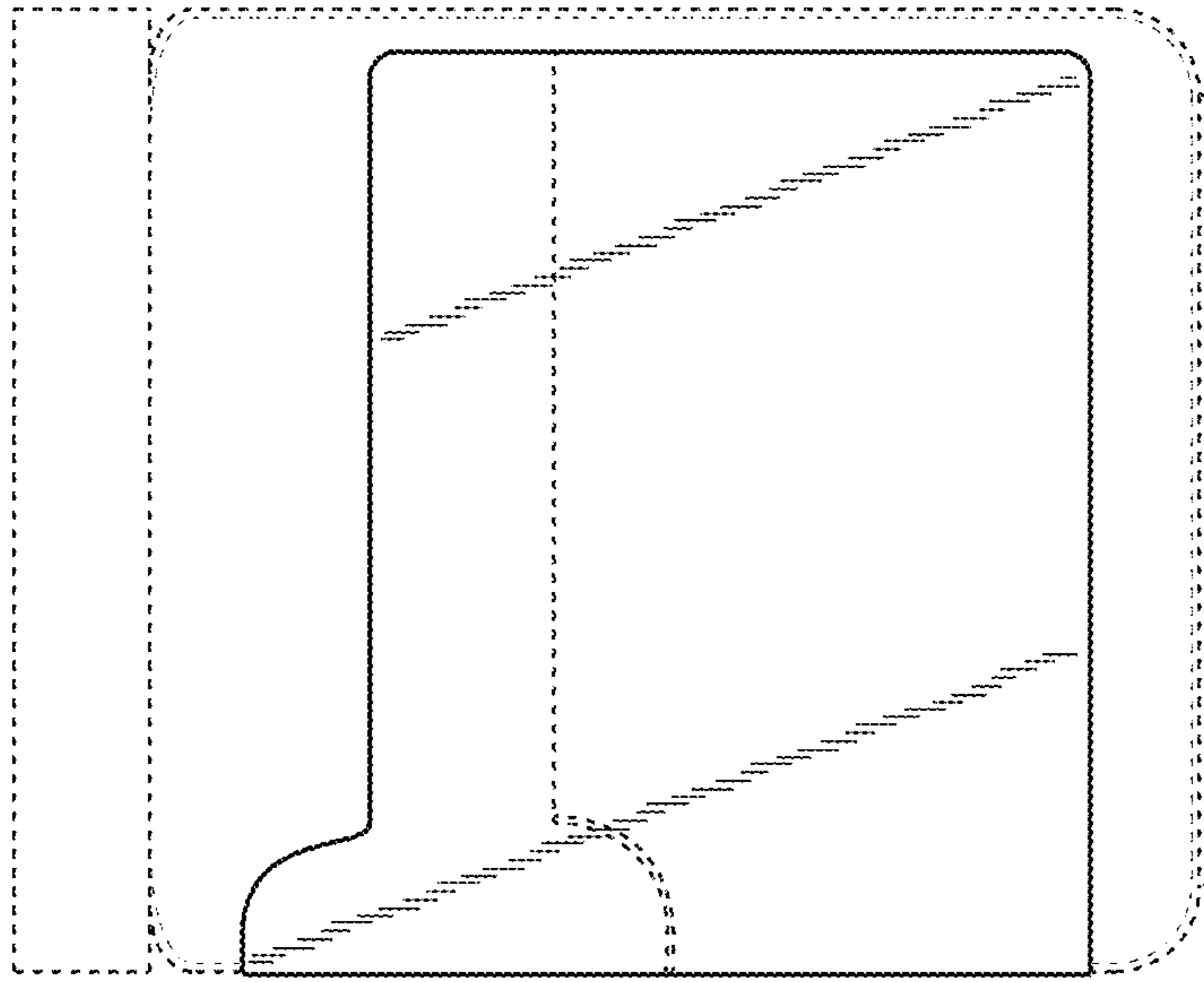


FIG. 6

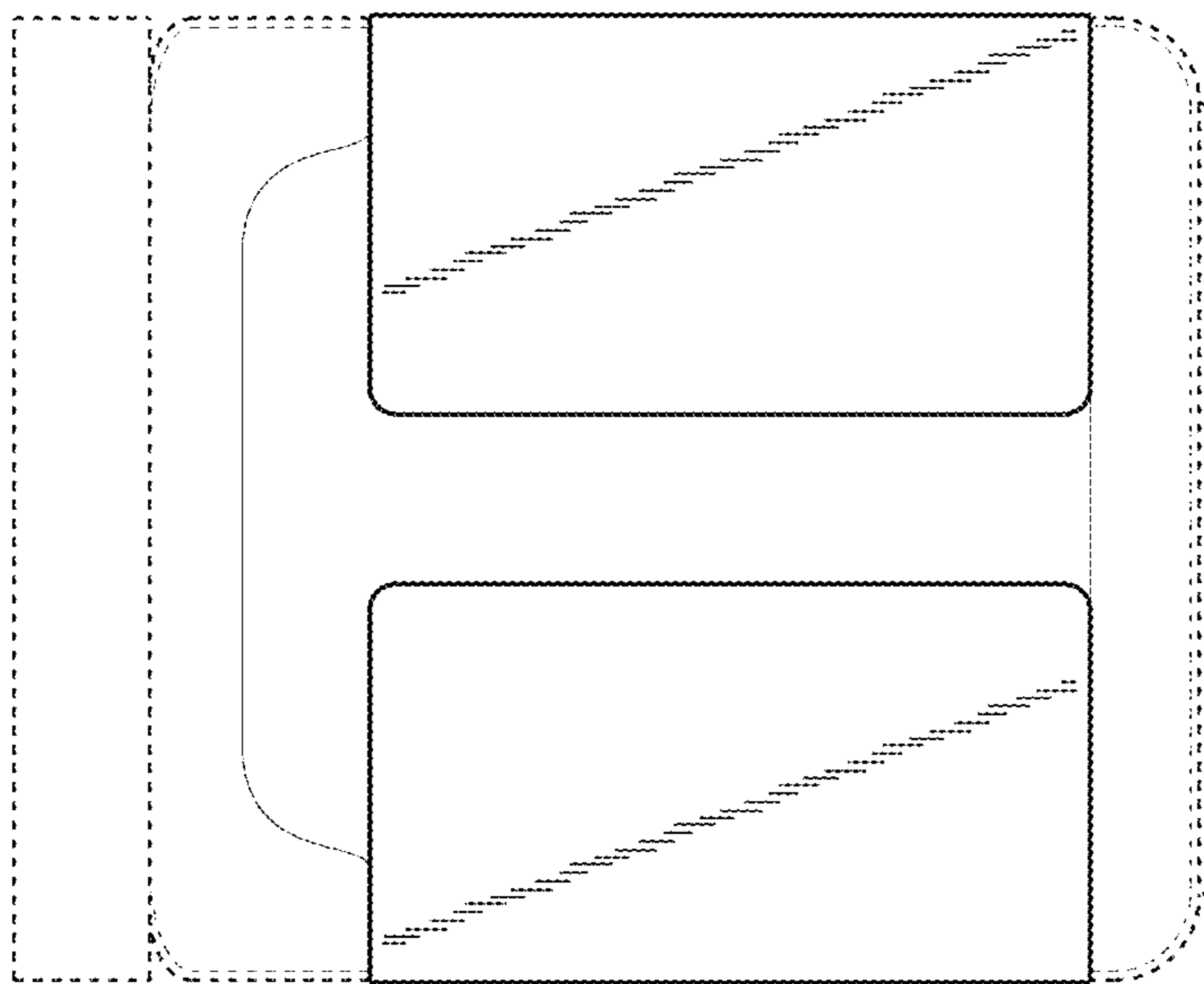


FIG. 7

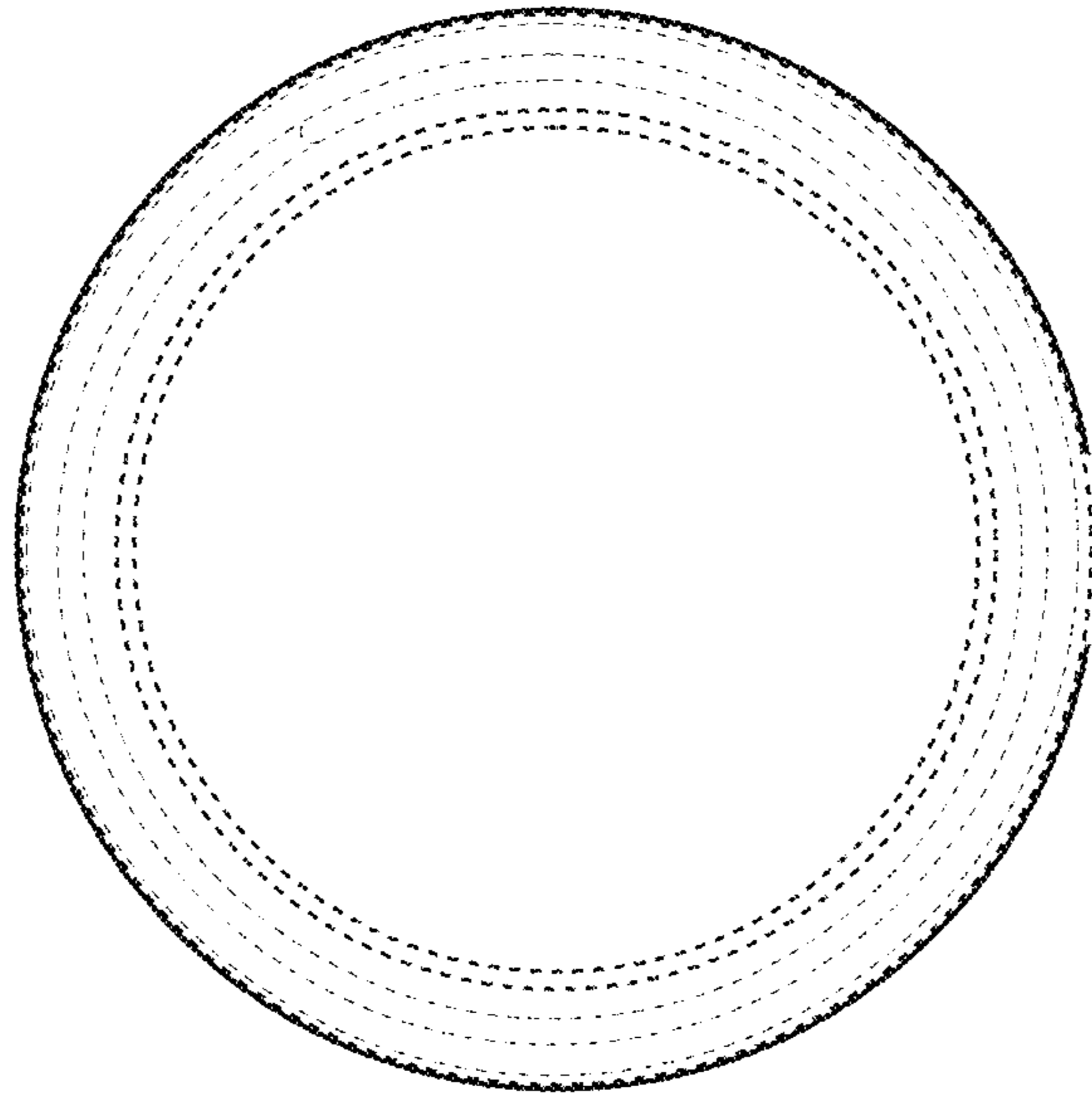


FIG. 9

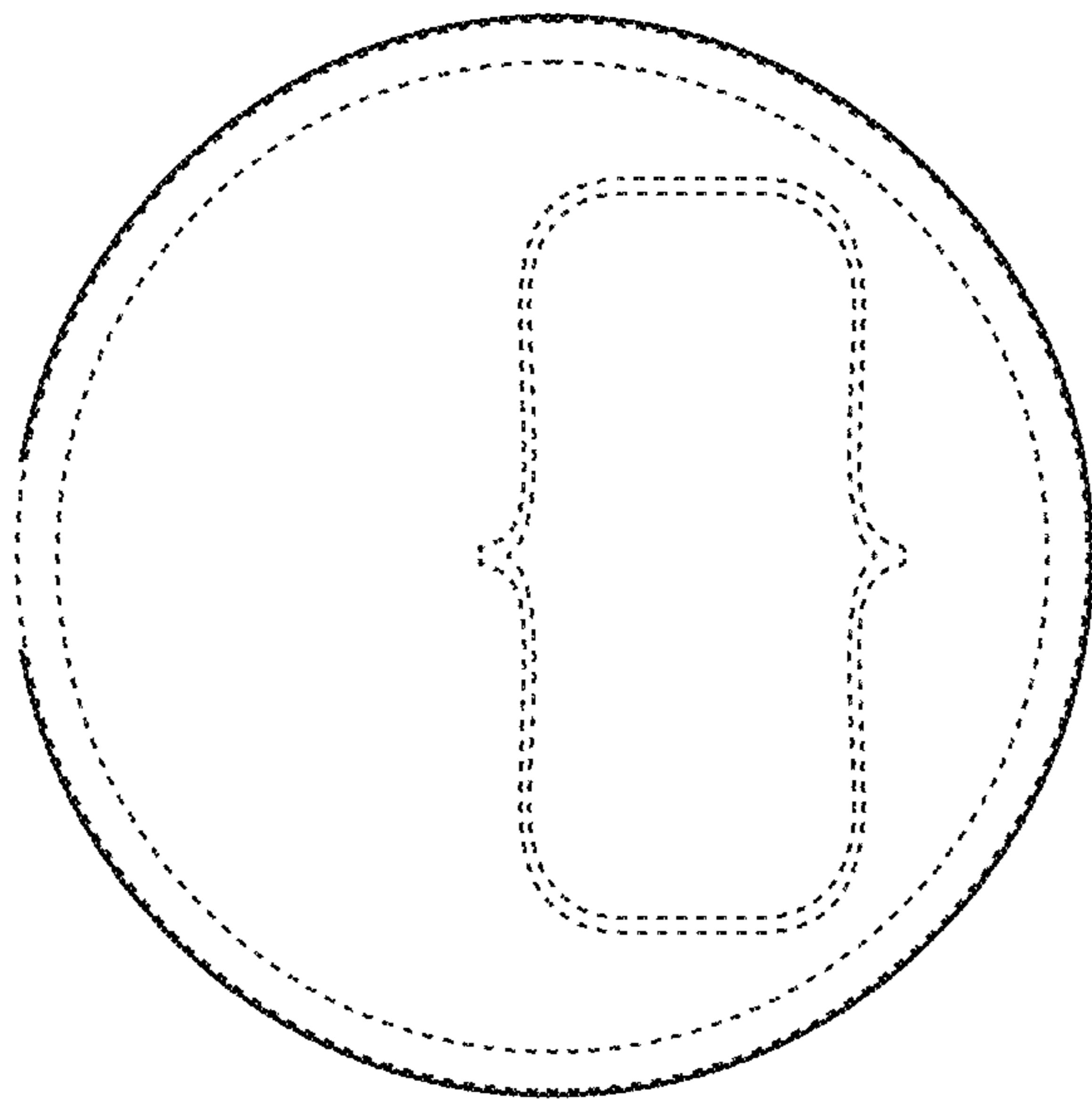


FIG. 8