



US00D787589S

(12) **United States Design Patent**
Sakano

(10) **Patent No.:** **US D787,589 S**

(45) **Date of Patent:** **** May 23, 2017**

(54) **TAPE CARTRIDGE FOR A LABEL PRINTER**

(71) Applicant: **SEIKO EPSON CORPORATION,**
Tokyo (JP)

(72) Inventor: **Hideki Sakano,** Matsumoto (JP)

(73) Assignee: **SEIKO EPSON CORPORATION,**
Tokyo (JP)

(**) Term: **15 Years**

(21) Appl. No.: **29/540,832**

(22) Filed: **Sep. 28, 2015**

(30) **Foreign Application Priority Data**

Apr. 3, 2015 (JP) 2015-007694

(51) **LOC (10) Cl.** **18-02**

(52) **U.S. Cl.**
USPC **D18/56**

(58) **Field of Classification Search**
USPC D18/12, 40, 43, 56; D20/11, 19, 22, 27,
D20/28
CPC B41J 3/4075; B41J 15/044; B41J 32/00;
B31D 1/027; G06F 17/30725; G06Q
20/3274; G06Q 20/3276
See application file for complete search history.

(56) **References Cited**

U.S. PATENT DOCUMENTS

- D220,740 S * 5/1971 Larson D20/22
- 4,741,793 A * 5/1988 Jones B44C 3/12
156/249
- D313,569 S * 1/1991 Allard D10/121
- D344,102 S * 2/1994 Polak D20/11
- 5,934,812 A * 8/1999 Nunokawa B41J 3/4075
400/621
- 6,373,510 B1 * 4/2002 Hosokawa B41J 3/4075
347/171

- D587,145 S * 2/2009 Nakatsubo D10/52
- D588,029 S * 3/2009 Nakatsubo D10/52
- D653,144 S * 1/2012 Kazyaka D10/122
- D660,352 S * 5/2012 Sodeyama D18/56
- D665,020 S * 8/2012 Sodeyama D18/56
- 9,022,503 B2 * 5/2015 Toya B41J 2/2114
347/14
- 9,145,008 B2 * 9/2015 Nakajima B41J 11/663
- 9,399,357 B2 * 7/2016 Ishino B41J 2/3551
- 2002/0030712 A1 * 3/2002 Silverbrook B41J 2/14
347/19
- 2002/0071104 A1 * 6/2002 Silverbrook B41J 2/14
355/18
- 2006/0222429 A1 * 10/2006 Kurashina B41J 3/32
400/76
- 2014/0292983 A1 * 10/2014 Nagahara B41J 11/663
347/104

(Continued)

Primary Examiner — Cathron Brooks
Assistant Examiner — Andrew Nemeth

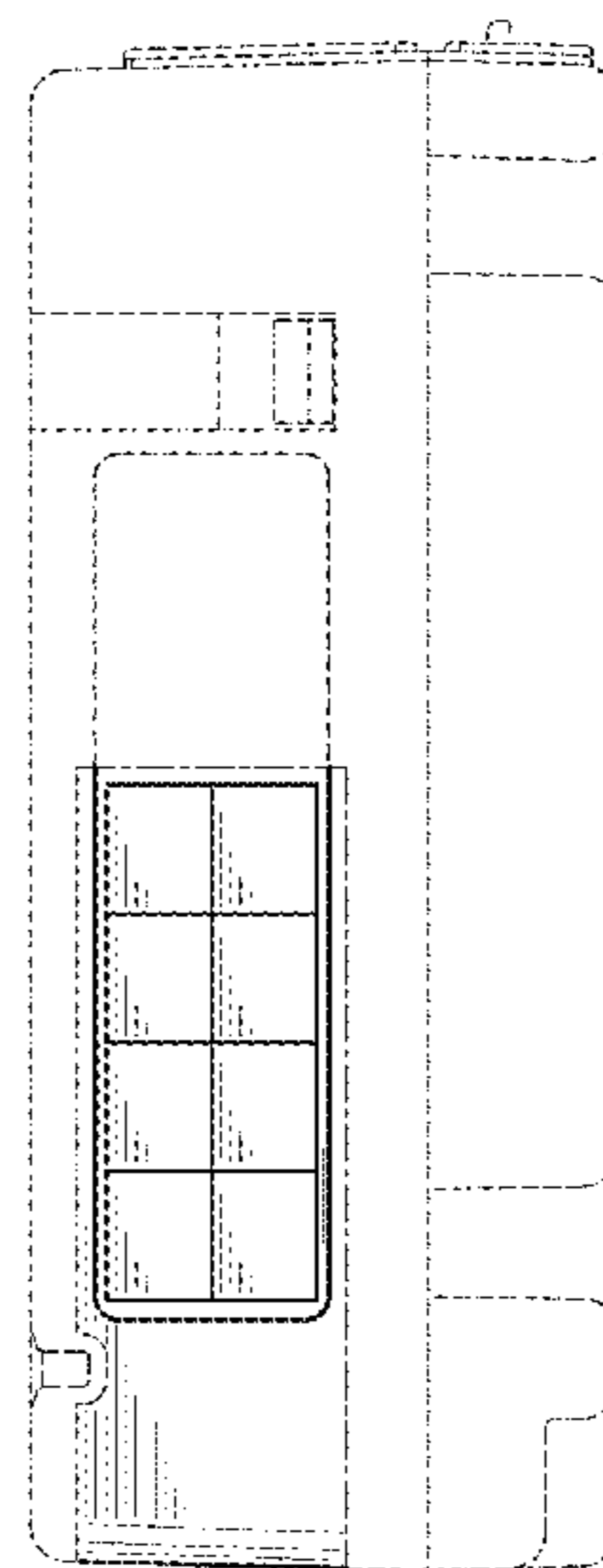
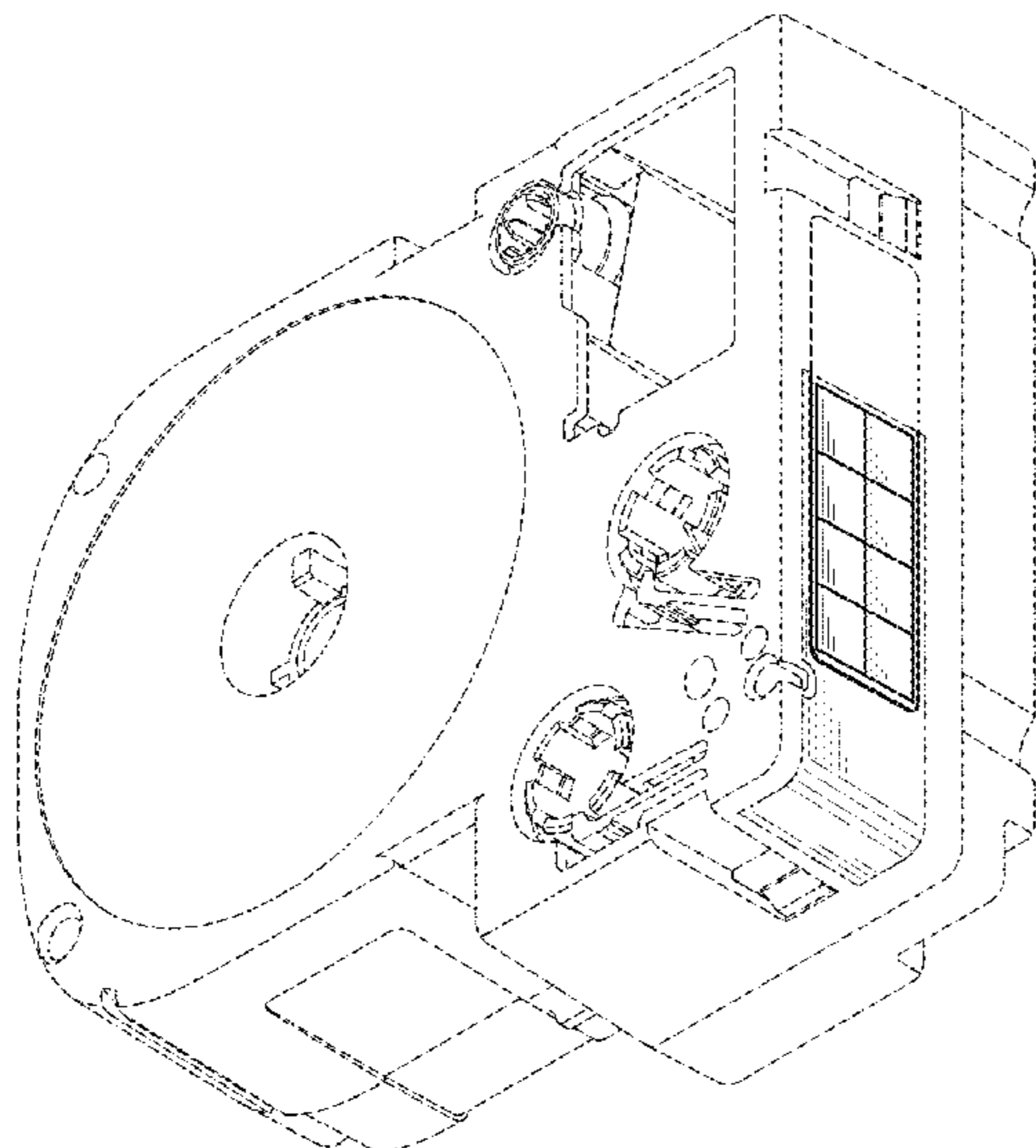
(57) **CLAIM**

The ornamental design for a tape cartridge for a label printer, as shown and described.

DESCRIPTION

FIG. 1 is a front, bottom, and right side perspective view of a tape cartridge for a label printer showing my new design; FIG. 2 is a front elevational view thereof; FIG. 3 is a rear elevational view thereof; FIG. 4 is a top plan view thereof; FIG. 5 is a bottom plan view thereof; FIG. 6 is a right side elevational view thereof; and, FIG. 7 is a left side elevational view thereof. The features shown in broken lines in the drawings depict environmental subject matter only and form no part of the claimed design. The dash-dotted lines denote the boundary of the claim and form no part of the claimed design.

1 Claim, 7 Drawing Sheets



(56)

References Cited

U.S. PATENT DOCUMENTS

2015/0283836 A1* 10/2015 Sakano B41J 3/4075
347/214
2016/0271983 A1* 9/2016 Sakano B41J 17/32

* cited by examiner

FIG. 1

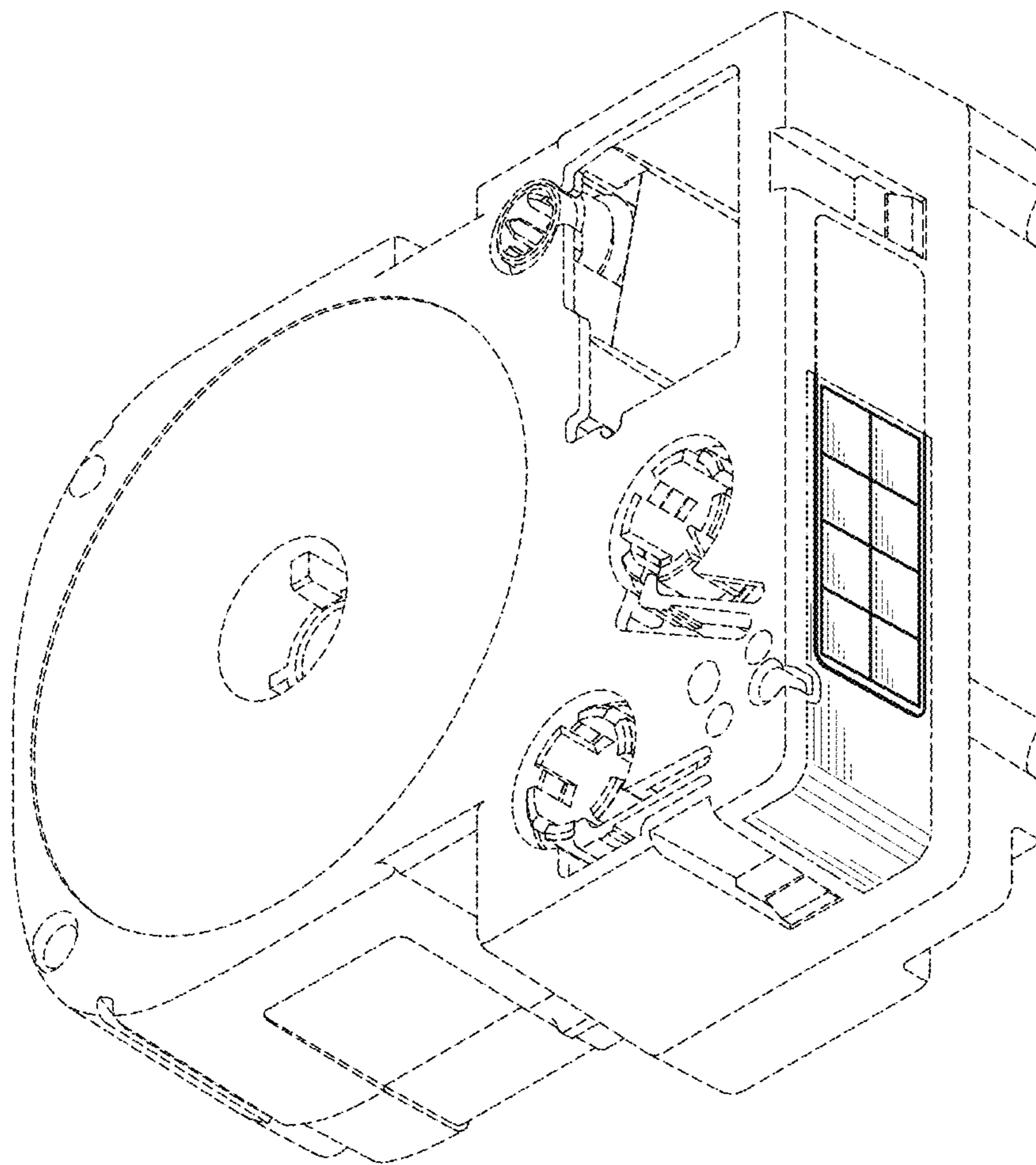


FIG. 2

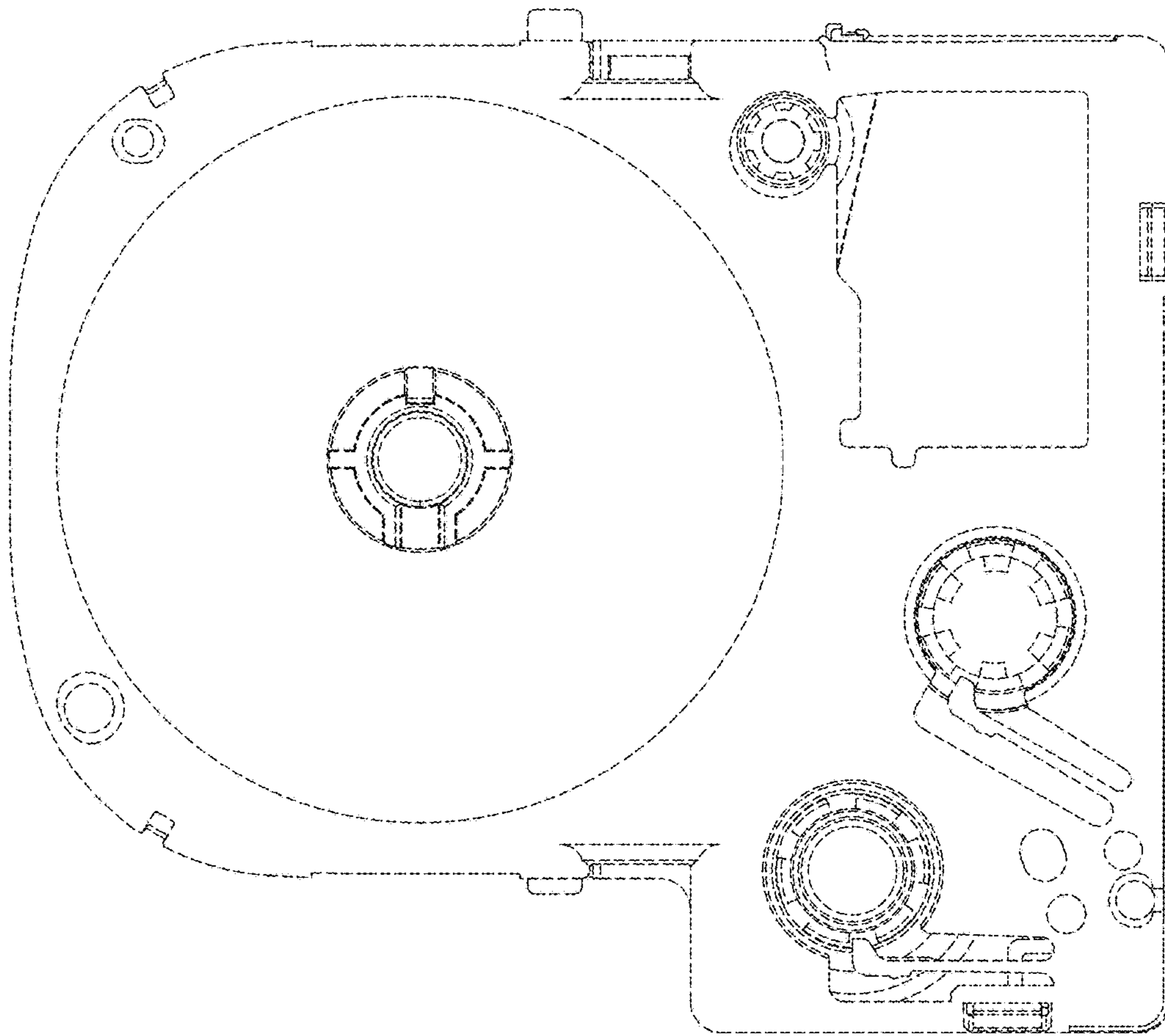


FIG. 3

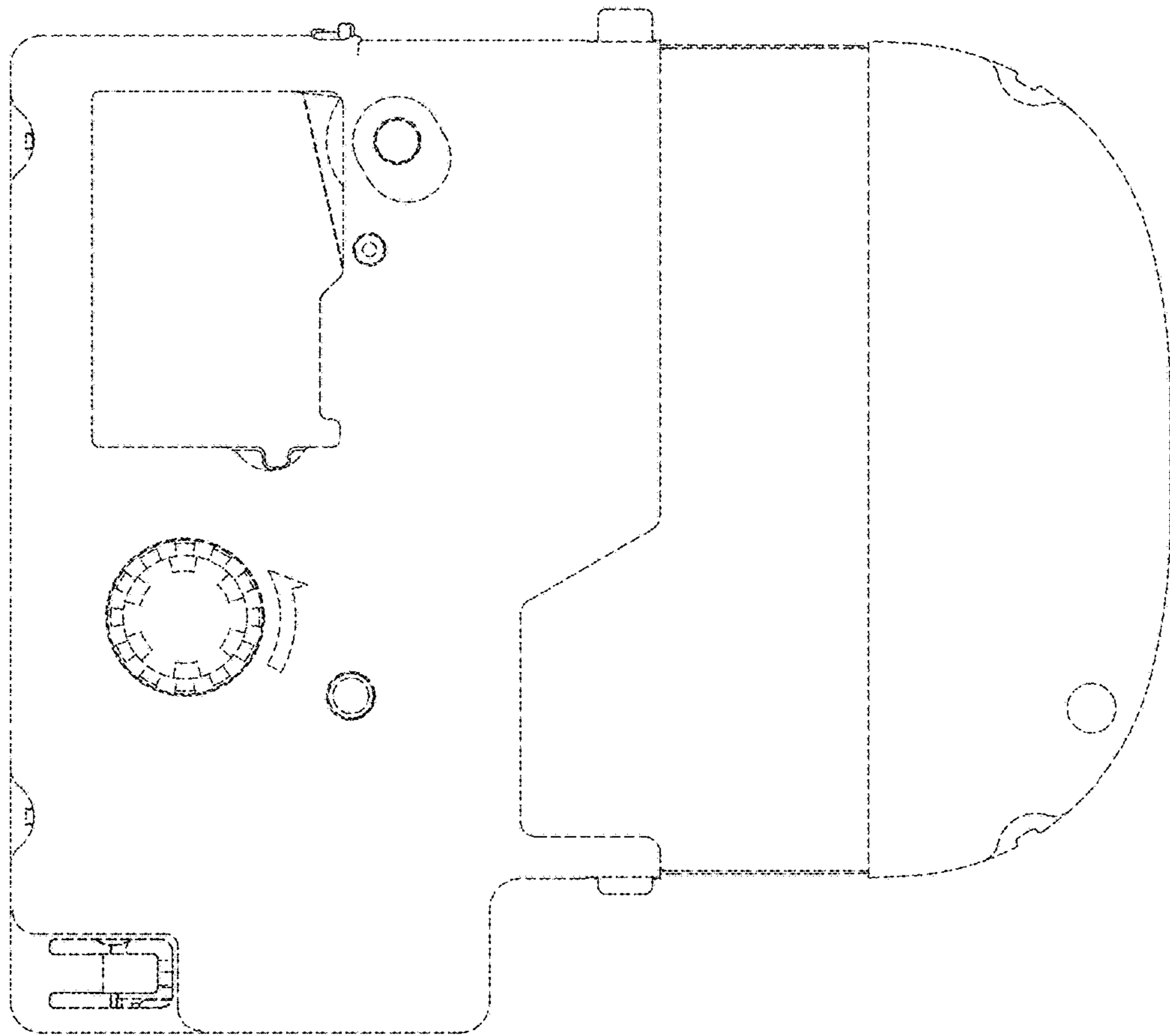


FIG. 4

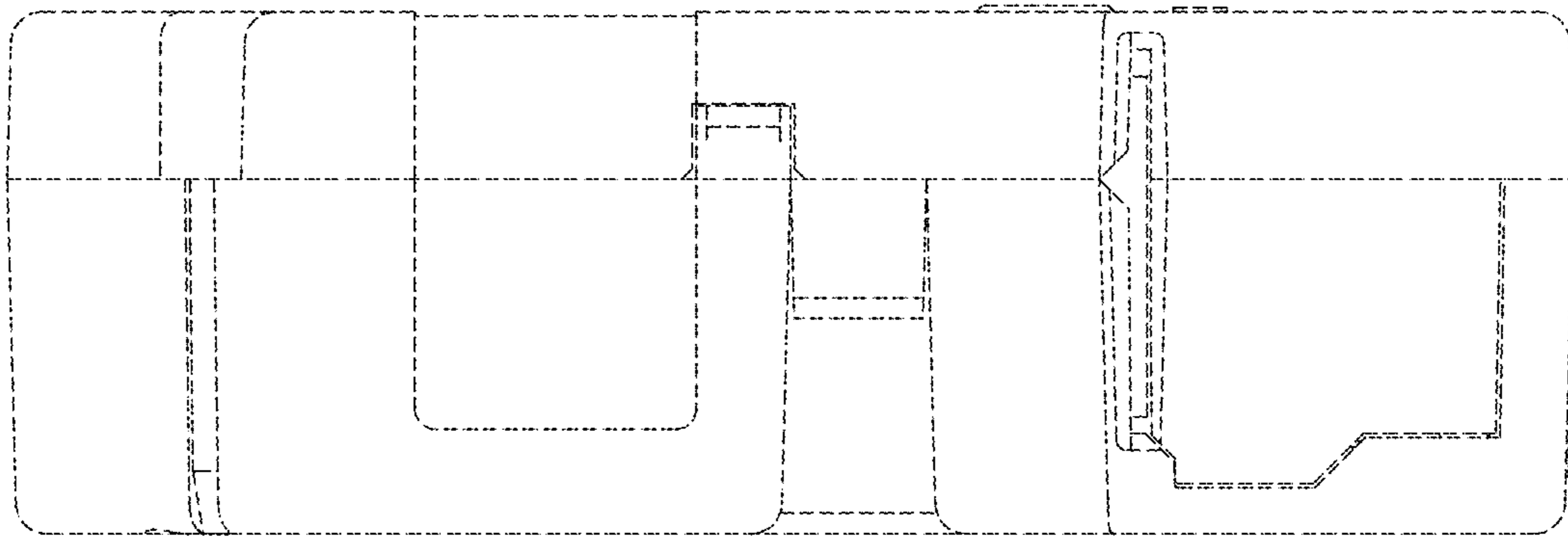


FIG. 5

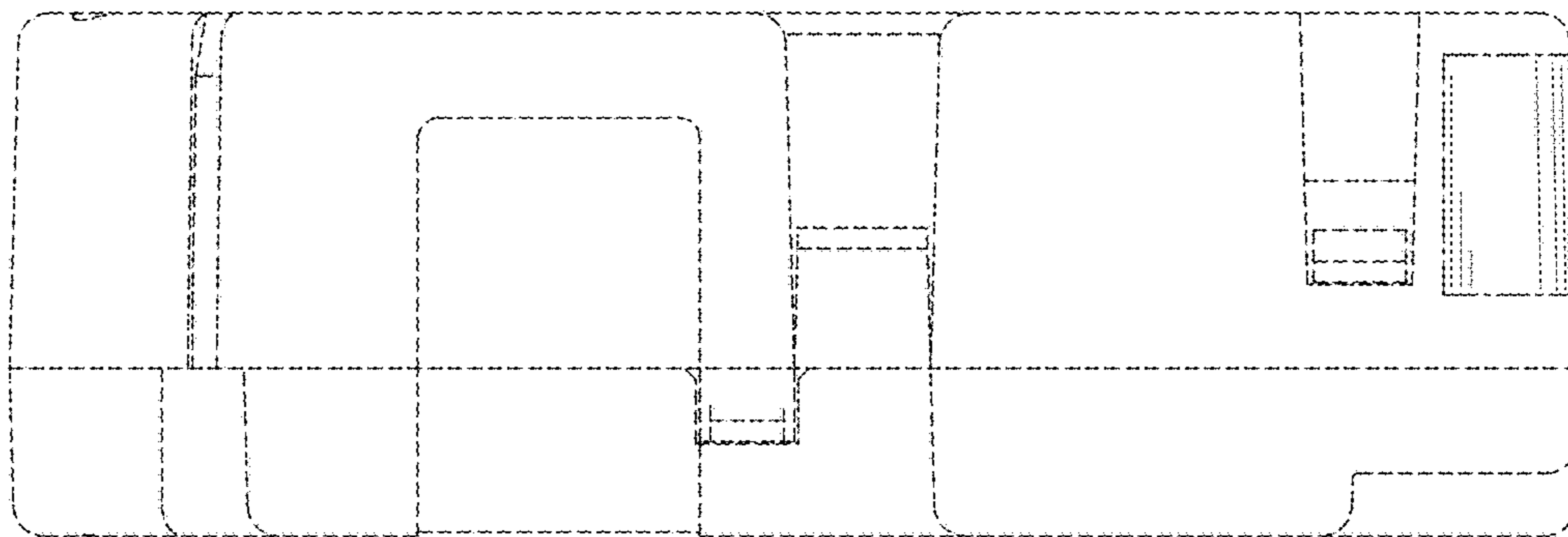


FIG. 6

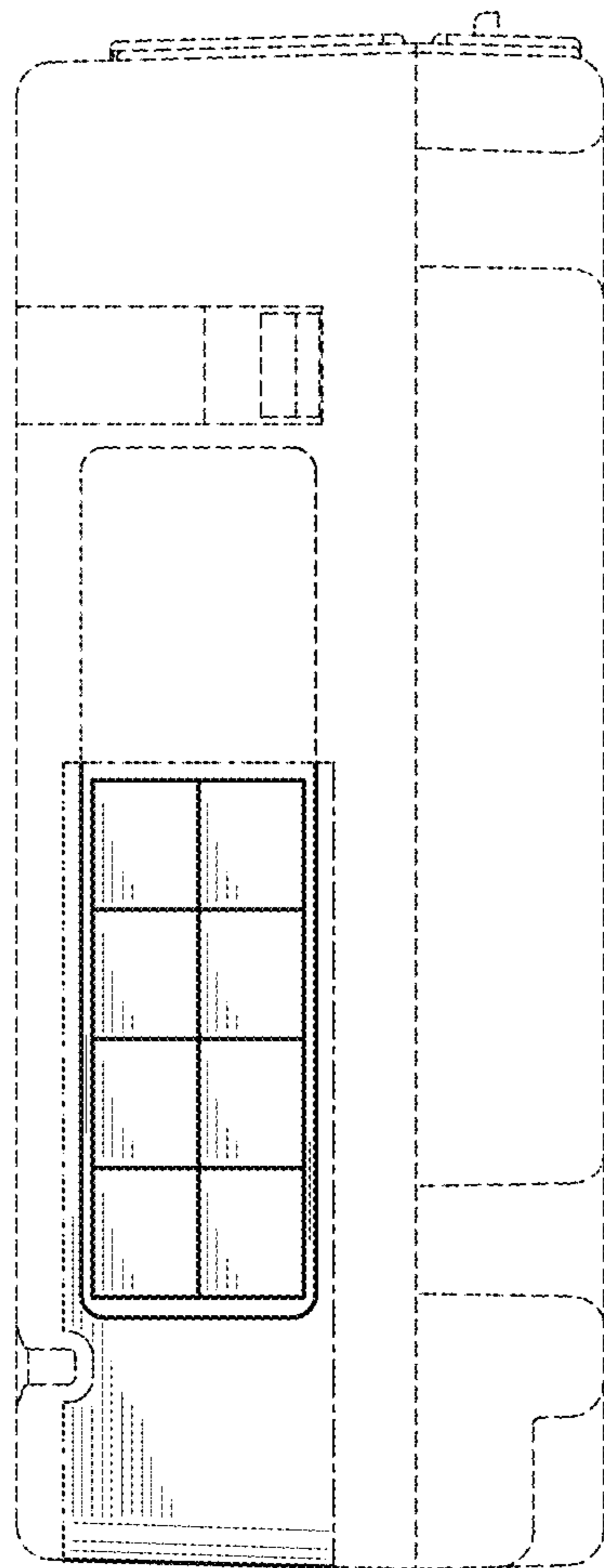


FIG. 7

