



US00D787588S

(12) **United States Design Patent** (10) **Patent No.:** **US D787,588 S**
Sakano (45) **Date of Patent:** **** May 23, 2017**

(54) **TAPE CARTRIDGE FOR A LABEL PRINTER**

(71) Applicant: **SEIKO EPSON CORPORATION,**
Tokyo (JP)

(72) Inventor: **Hideki Sakano,** Matsumoto (JP)

(73) Assignee: **SEIKO EPSON CORPORATION,**
Tokyo (JP)

(**) Term: **15 Years**

(21) Appl. No.: **29/540,830**

(22) Filed: **Sep. 28, 2015**

(30) **Foreign Application Priority Data**

Apr. 3, 2015 (JP) 2015-007685
Apr. 3, 2015 (JP) 2015-007690

(51) **LOC (10) Cl.** **18-02**

(52) **U.S. Cl.**
USPC **D18/56**

(58) **Field of Classification Search**
USPC D18/12, 40, 43, 56; D20/11, 19, 22, 27,
D20/28
CPC B41J 3/4075; B41J 15/044; B41J 32/00;
B31D 1/027; G06F 17/30725; G06Q
20/3274; G06Q 20/3276
See application file for complete search history.

(56) **References Cited**

U.S. PATENT DOCUMENTS

D220,740 S * 5/1971 Larson D20/22
4,741,793 A * 5/1988 Jones B44C 3/12
156/249
D313,569 S * 1/1991 Allard D10/121
D344,102 S * 2/1994 Polak D20/11
5,934,812 A * 8/1999 Nunokawa B41J 3/4075
400/621
6,373,510 B1 * 4/2002 Hosokawa B41J 3/4075
347/171
D587,145 S * 2/2009 Nakatsubo D10/52

D588,029 S * 3/2009 Nakatsubo D10/52
D653,144 S * 1/2012 Kazyaka D10/122
D660,352 S * 5/2012 Sodeyama D18/56
D665,020 S * 8/2012 Sodeyama D18/56
9,022,503 B2 * 5/2015 Toya B41J 2/2114
347/14

(Continued)

Primary Examiner — Cathron Brooks
Assistant Examiner — Andrew Nemeth

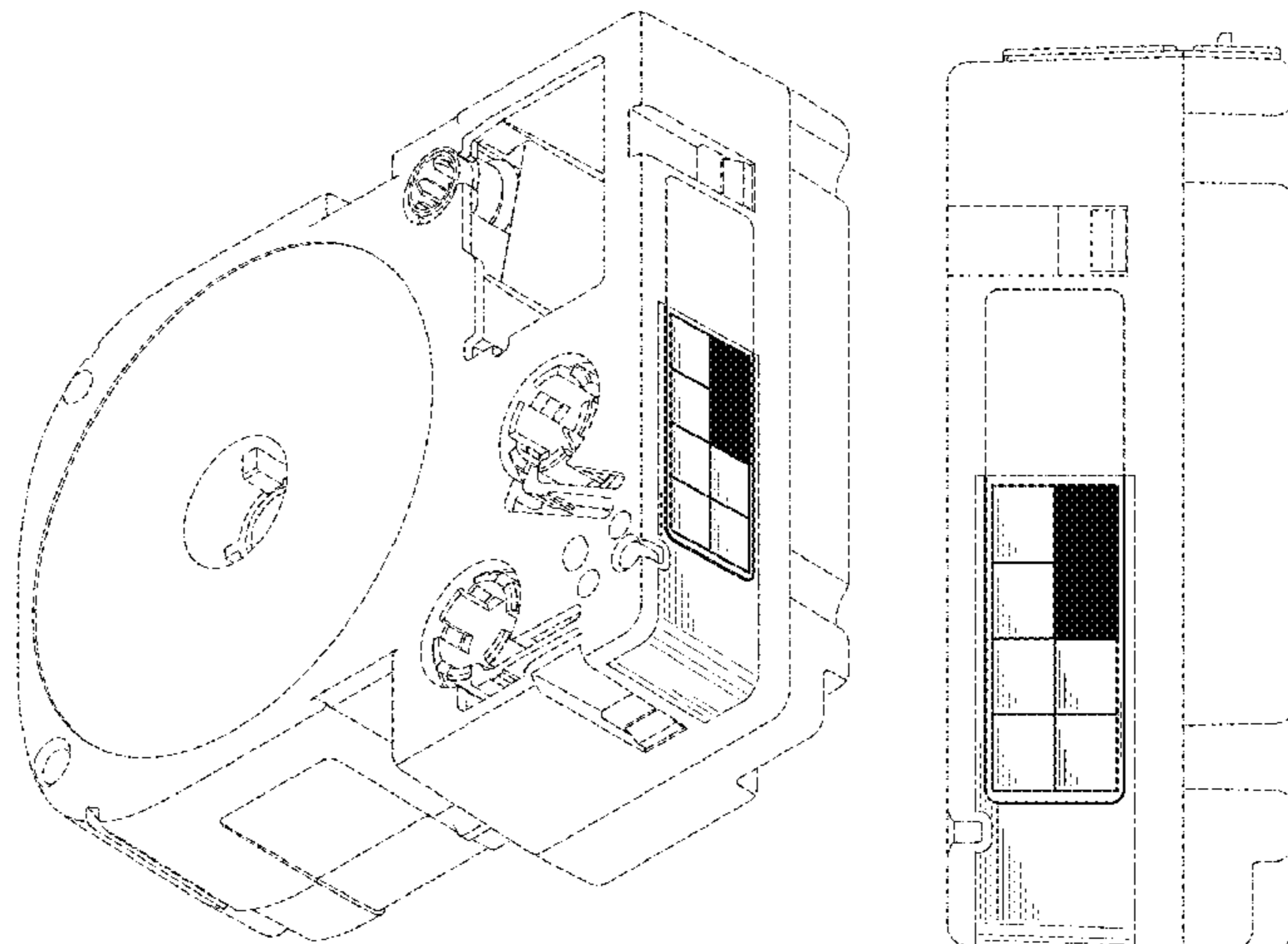
(57) **CLAIM**

The ornamental design for a tape cartridge for a label printer,
as shown and described.

DESCRIPTION

FIG. 1 is a front, bottom, and right side perspective view of a first embodiment of a tape cartridge for a label printer showing my new design;
FIG. 2 is a front elevational view thereof;
FIG. 3 is a rear elevational view thereof;
FIG. 4 is a top plan view thereof;
FIG. 5 is a bottom plan view thereof;
FIG. 6 is a right side elevational view thereof;
FIG. 7 is a left side elevational view thereof;
FIG. 8 is a front, bottom, and right side perspective view of a second embodiment of a tape cartridge for a label printer showing my new design;
FIG. 9 is a front elevational view thereof;
FIG. 10 is a rear elevational view thereof;
FIG. 11 is a top plan view thereof;
FIG. 12 is a bottom plan view thereof;
FIG. 13 is a right side elevational view thereof; and,
FIG. 14 is a left side elevational view thereof.
The features shown in broken lines in the drawings depict environmental subject matter only and form no part of the claimed design. The dash-dotted lines denote the boundary of the claim and form no part of the claimed design. The solid black areas in the drawing are black in color.

1 Claim, 14 Drawing Sheets



(56)

References Cited

U.S. PATENT DOCUMENTS

9,145,008	B2 *	9/2015	Nakajima	B41J 11/663
9,399,357	B2 *	7/2016	Ishino	B41J 2/3551
2002/0030712	A1 *	3/2002	Silverbrook	B41J 2/14 347/19
2002/0071104	A1 *	6/2002	Silverbrook	B41J 2/14 355/18
2006/0222429	A1 *	10/2006	Kurashina	B41J 3/32 400/76
2014/0292983	A1 *	10/2014	Nagahara	B41J 11/663 347/104
2015/0283836	A1 *	10/2015	Sakano	B41J 3/4075 347/214
2016/0271983	A1 *	9/2016	Sakano	B41J 17/32

* cited by examiner

FIG. 1

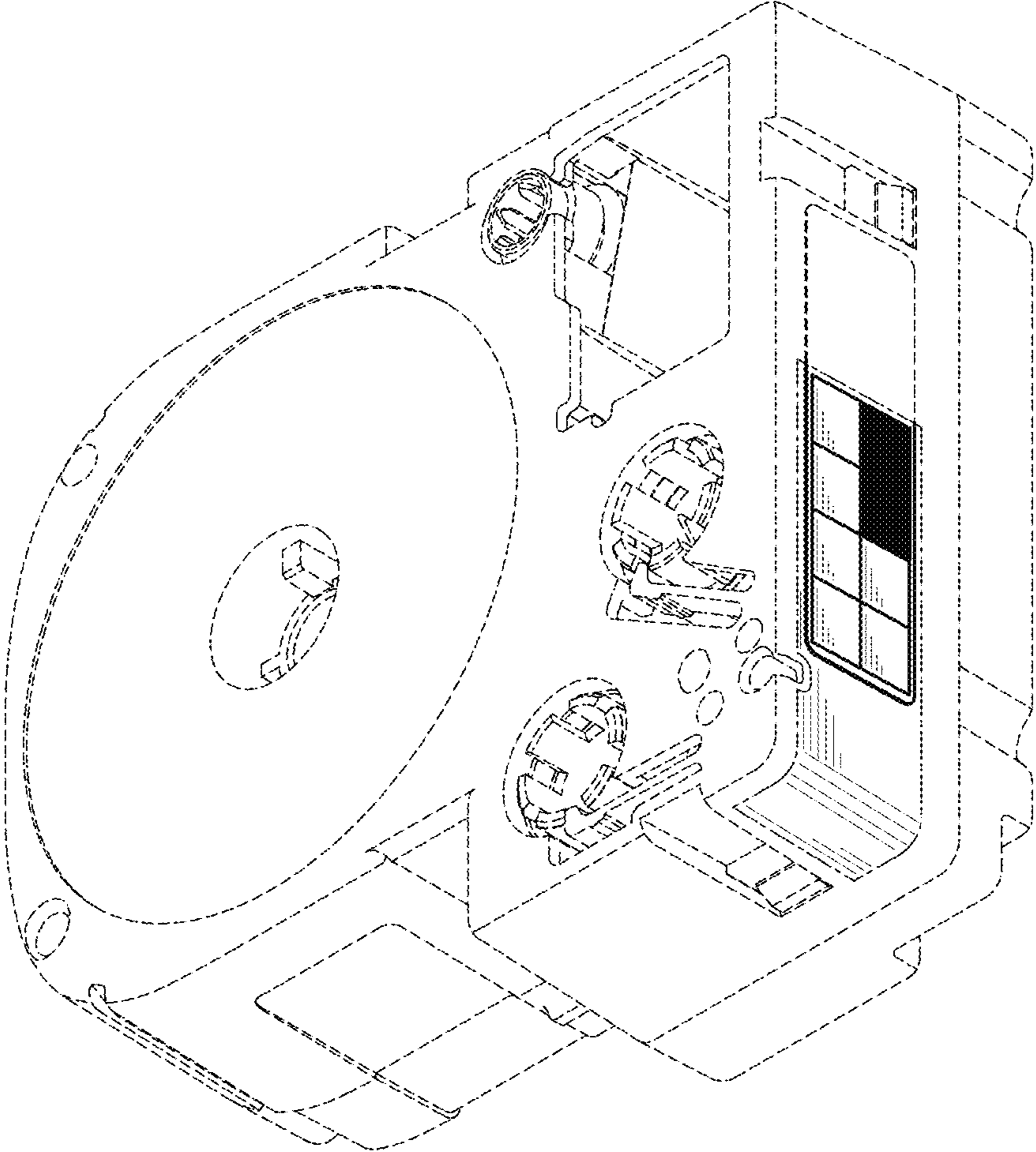


FIG. 2

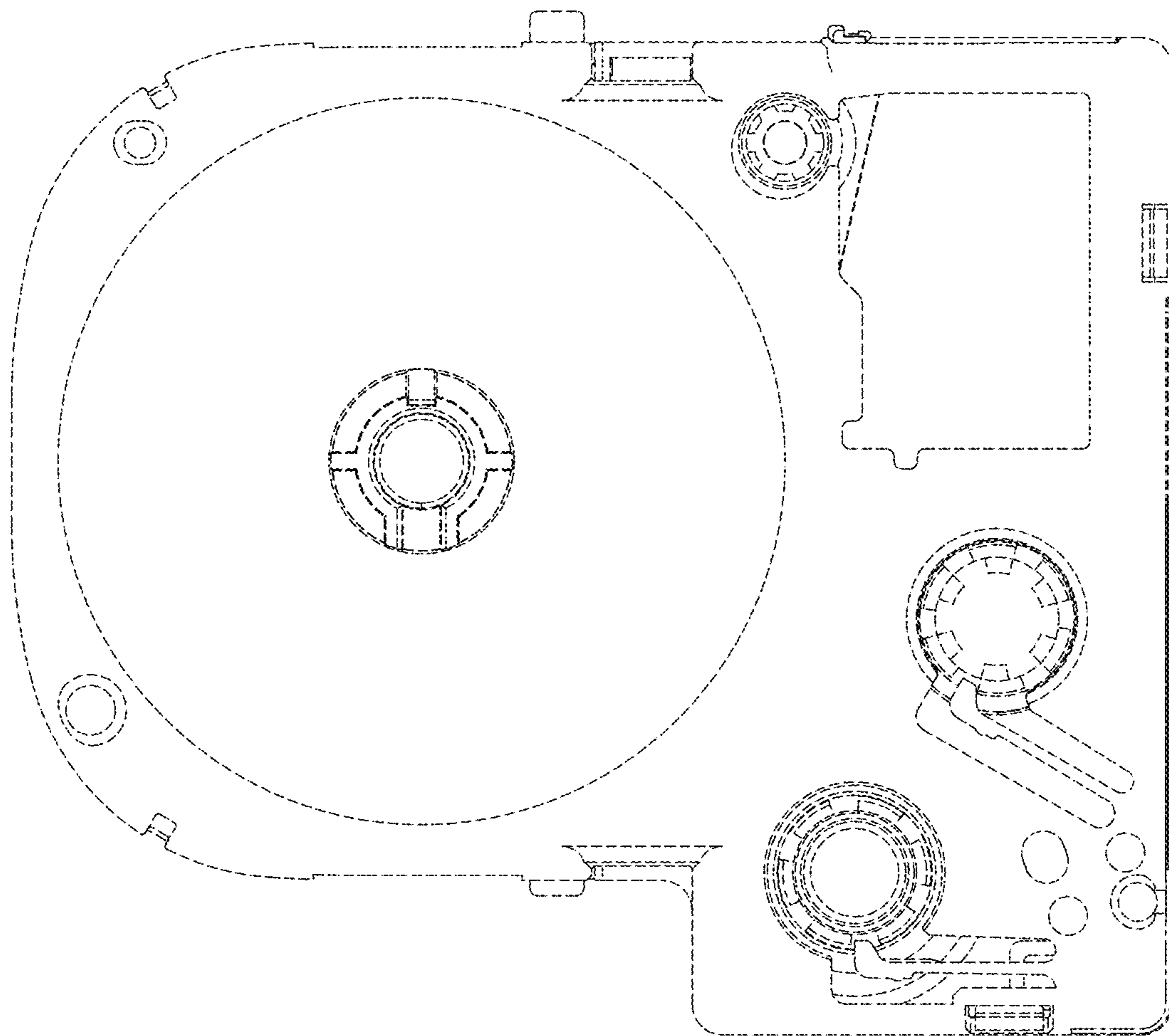


FIG. 3

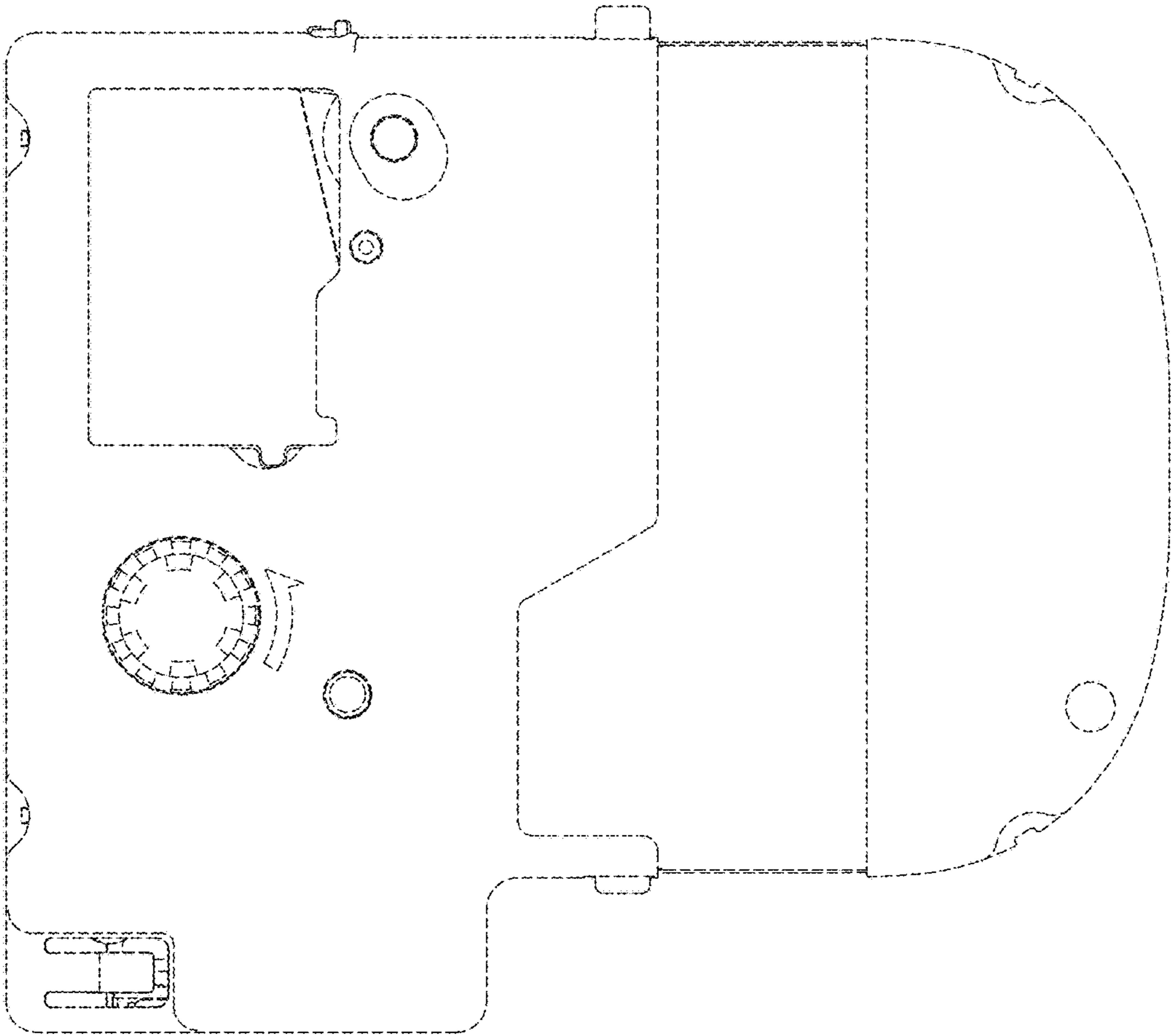


FIG. 4

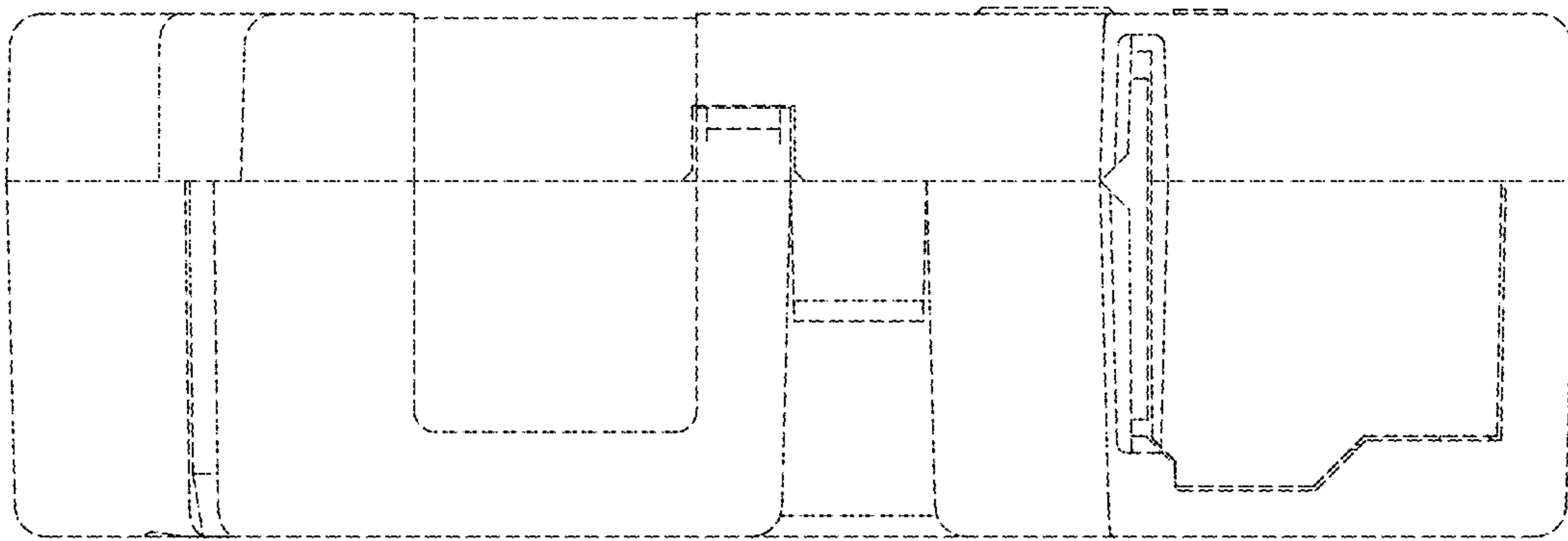


FIG. 5

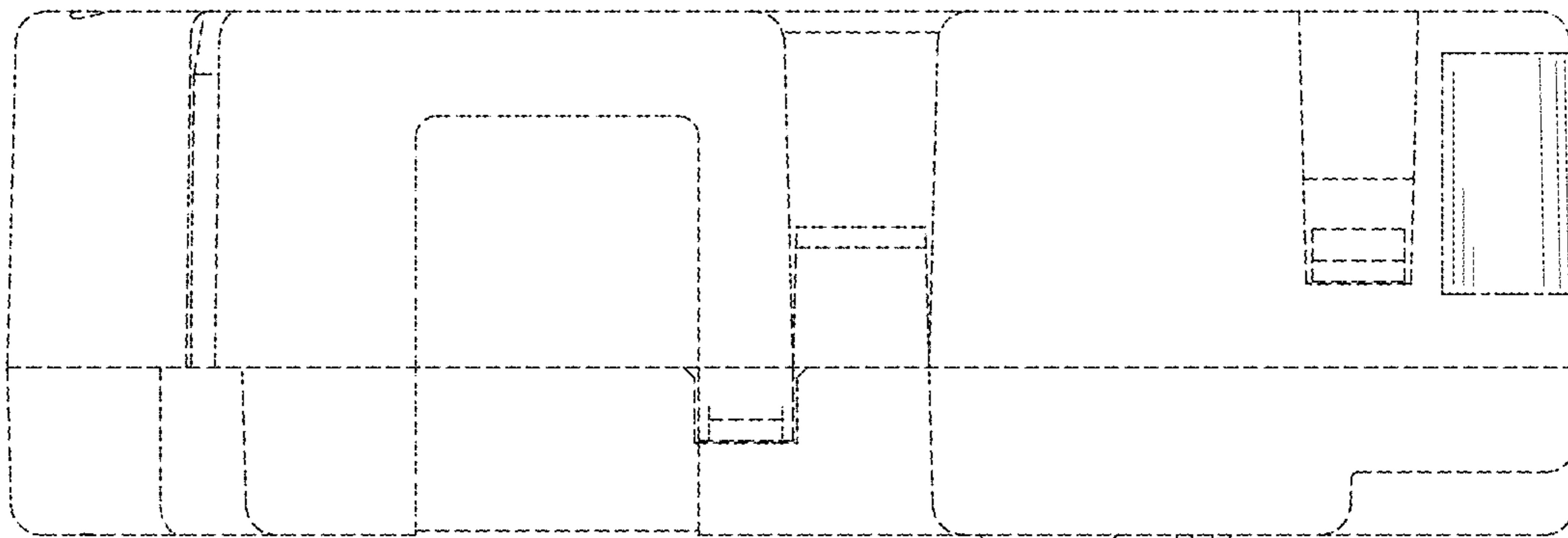


FIG. 6

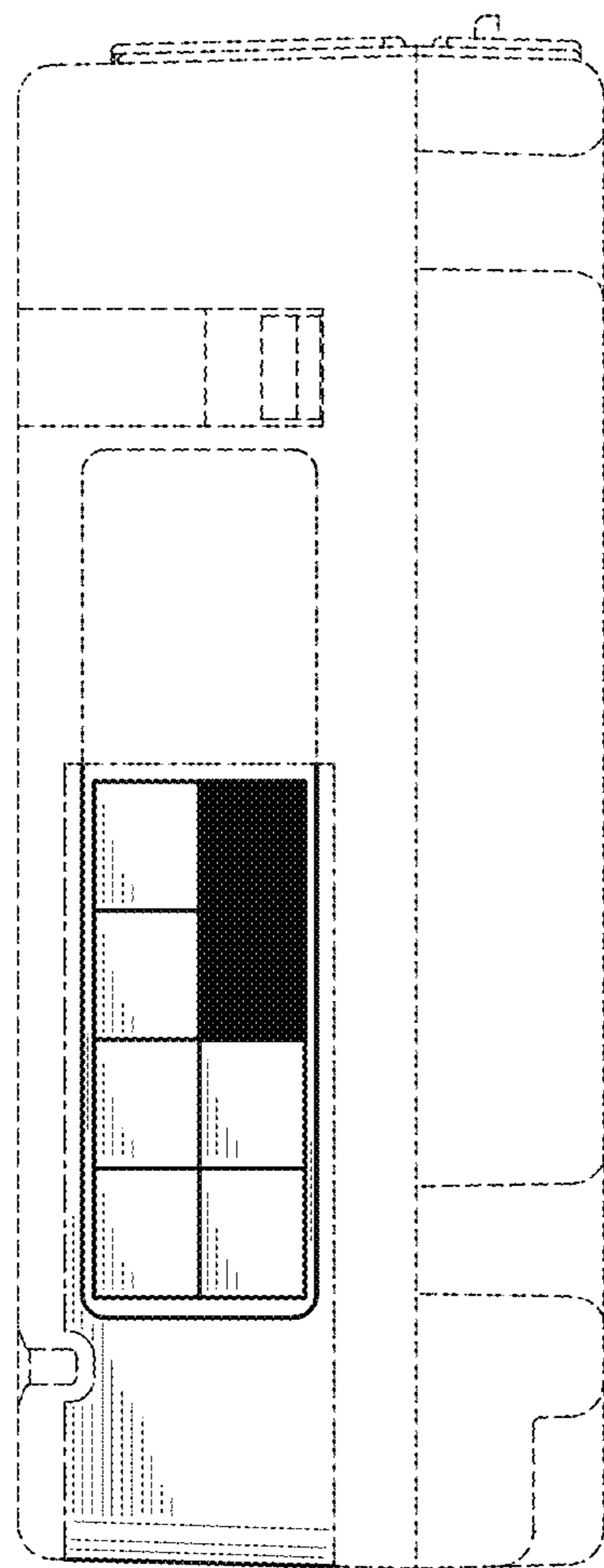


FIG. 7



FIG. 8

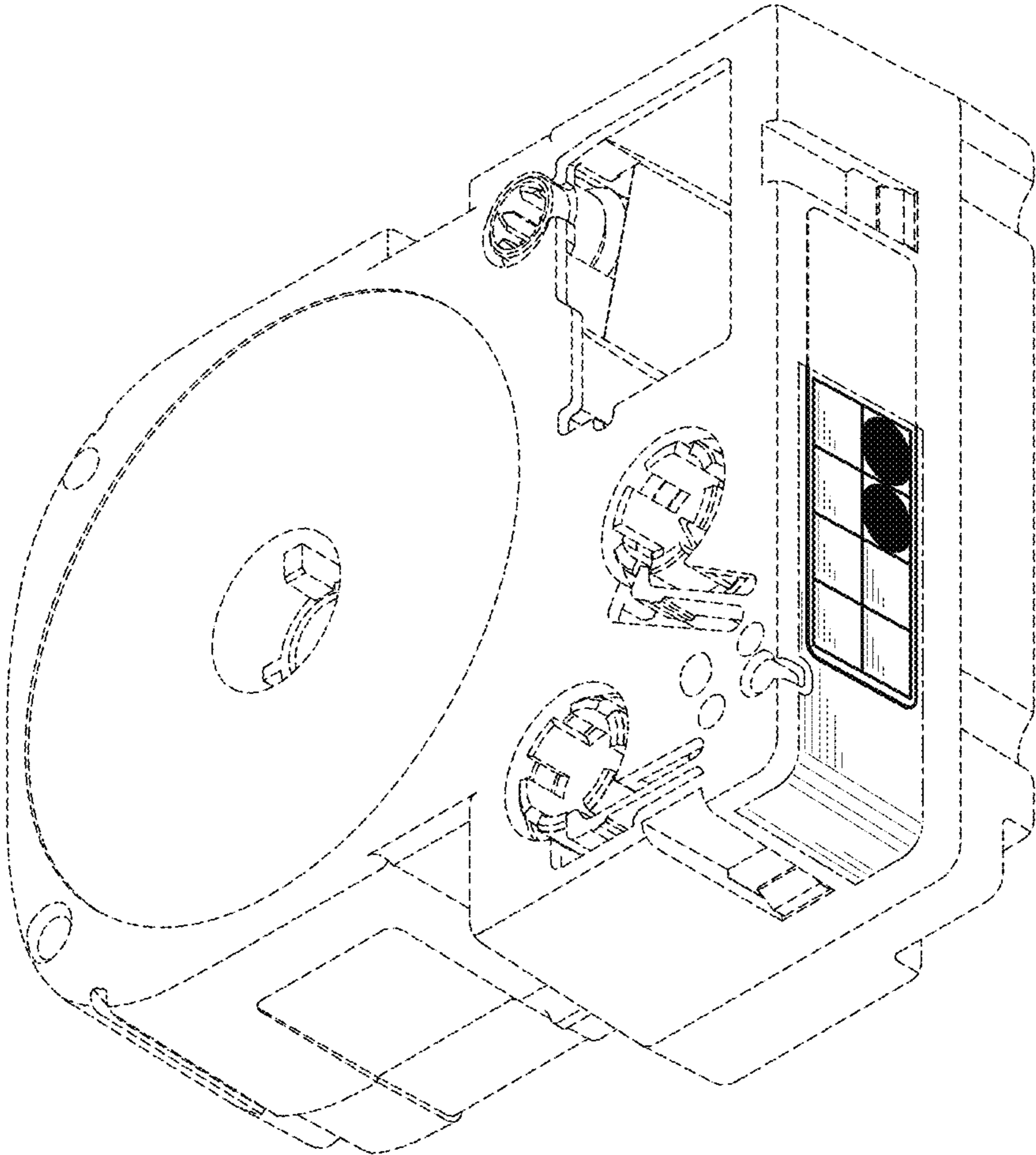


FIG. 9

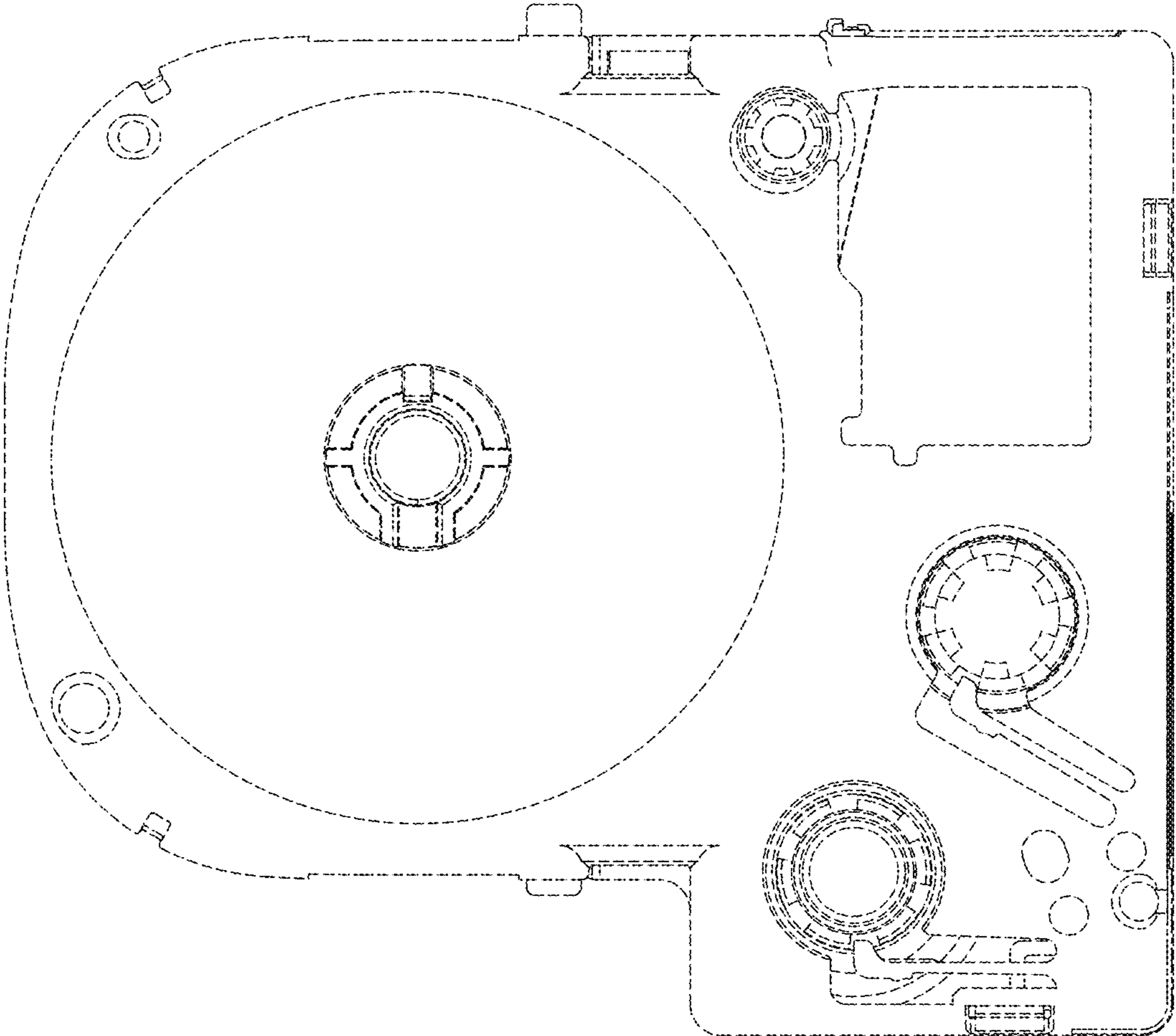


FIG. 10

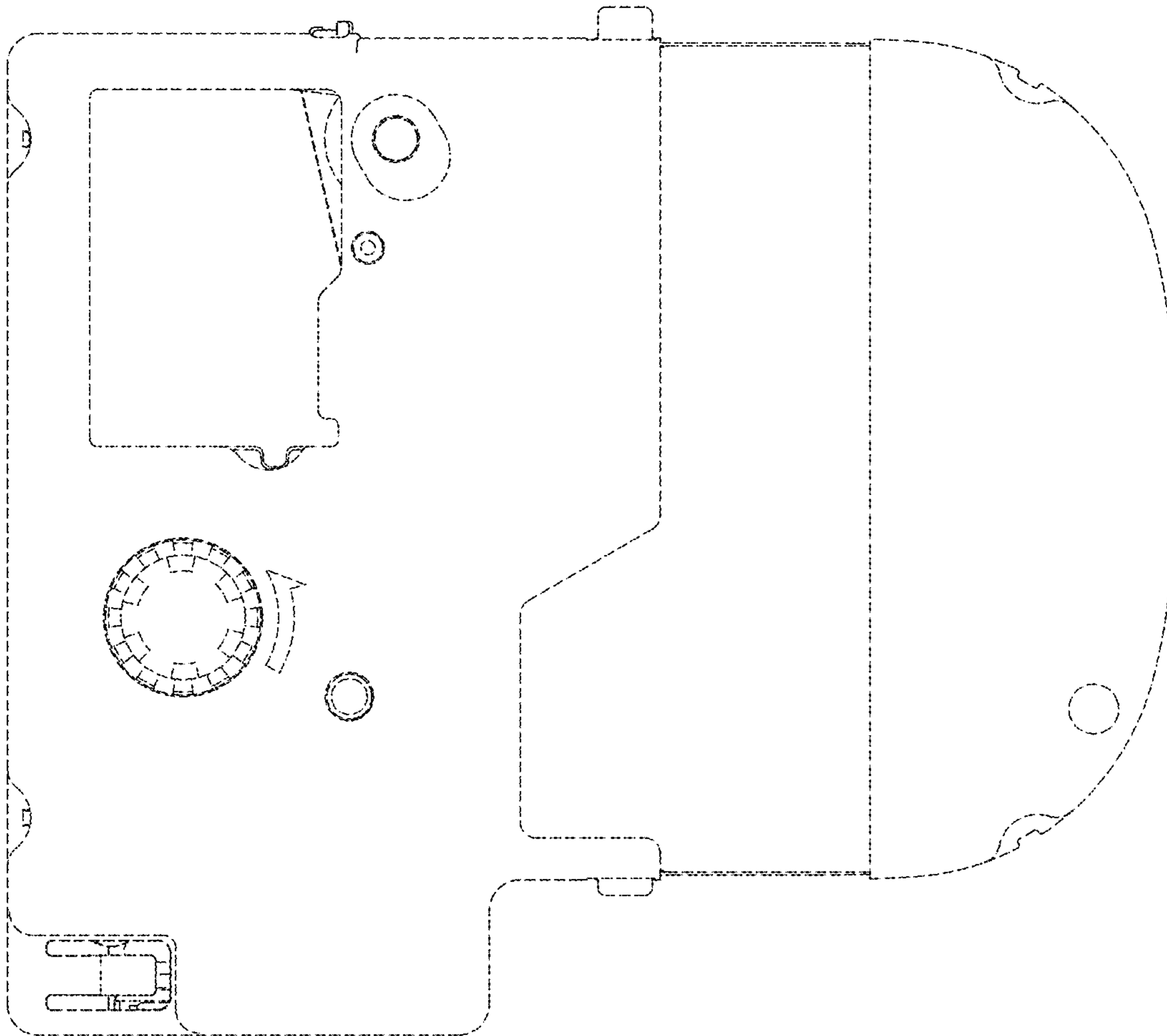


FIG. 11

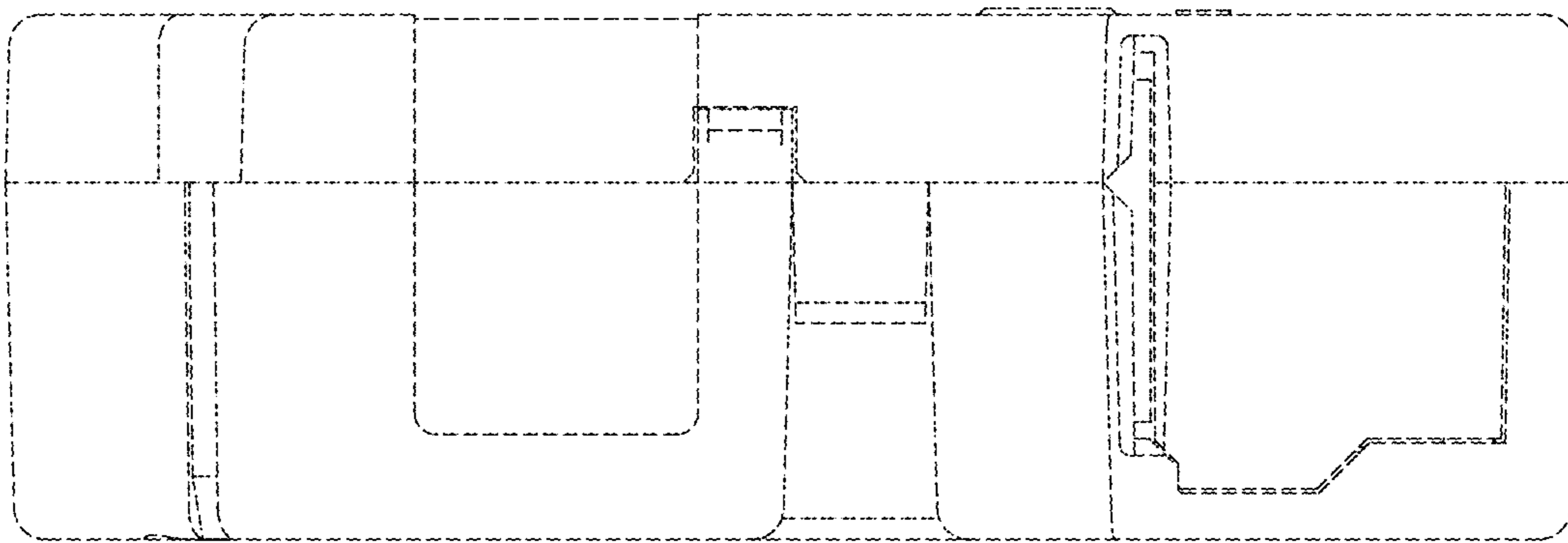


FIG. 12

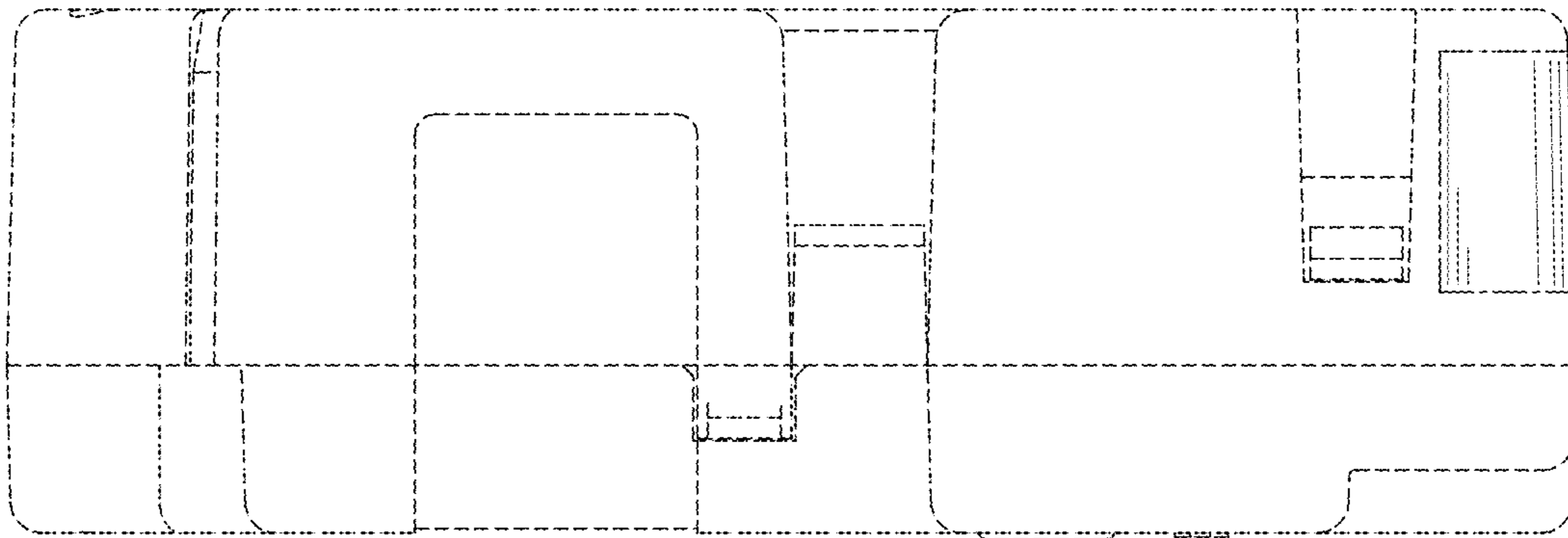


FIG. 13

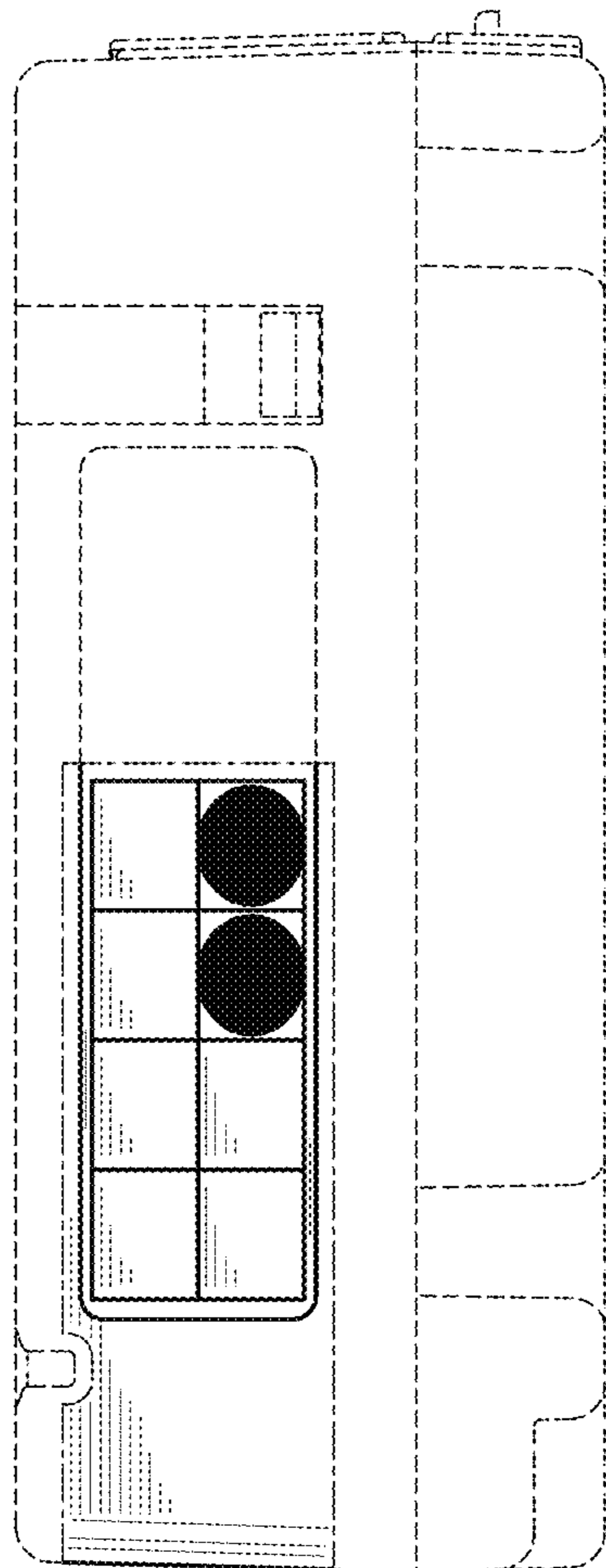


FIG. 14

