



US00D787587S

(12) **United States Design Patent**  
**Sakano**

(10) **Patent No.:** **US D787,587 S**  
(45) **Date of Patent:** **\*\* May 23, 2017**

(54) **TAPE CARTRIDGE FOR A LABEL PRINTER**

**DESCRIPTION**

(71) Applicant: **SEIKO EPSON CORPORATION**,  
Tokyo (JP)

(72) Inventor: **Hideki Sakano**, Matsumoto (JP)

(73) Assignee: **SEIKO EPSON CORPORATION**,  
Tokyo (JP)

(\*\*) Term: **15 Years**

(21) Appl. No.: **29/540,829**

(22) Filed: **Sep. 28, 2015**

(30) **Foreign Application Priority Data**

Apr. 3, 2015 (JP) ..... 2015-007687  
Apr. 3, 2015 (JP) ..... 2015-007688

(Continued)

(51) **LOC (10) Cl.** ..... **18-02**

(52) **U.S. Cl.**  
USPC ..... **D18/56**

(58) **Field of Classification Search**  
USPC ..... D18/12, 40, 43, 56; D20/11, 19, 22, 27,  
D20/28

(Continued)

(56) **References Cited**

**U.S. PATENT DOCUMENTS**

D220,740 S \* 5/1971 Larson ..... D20/22  
4,741,793 A \* 5/1988 Jones ..... B44C 3/12  
156/249

(Continued)

*Primary Examiner* — Cathron Brooks  
*Assistant Examiner* — Andrew Nemeth

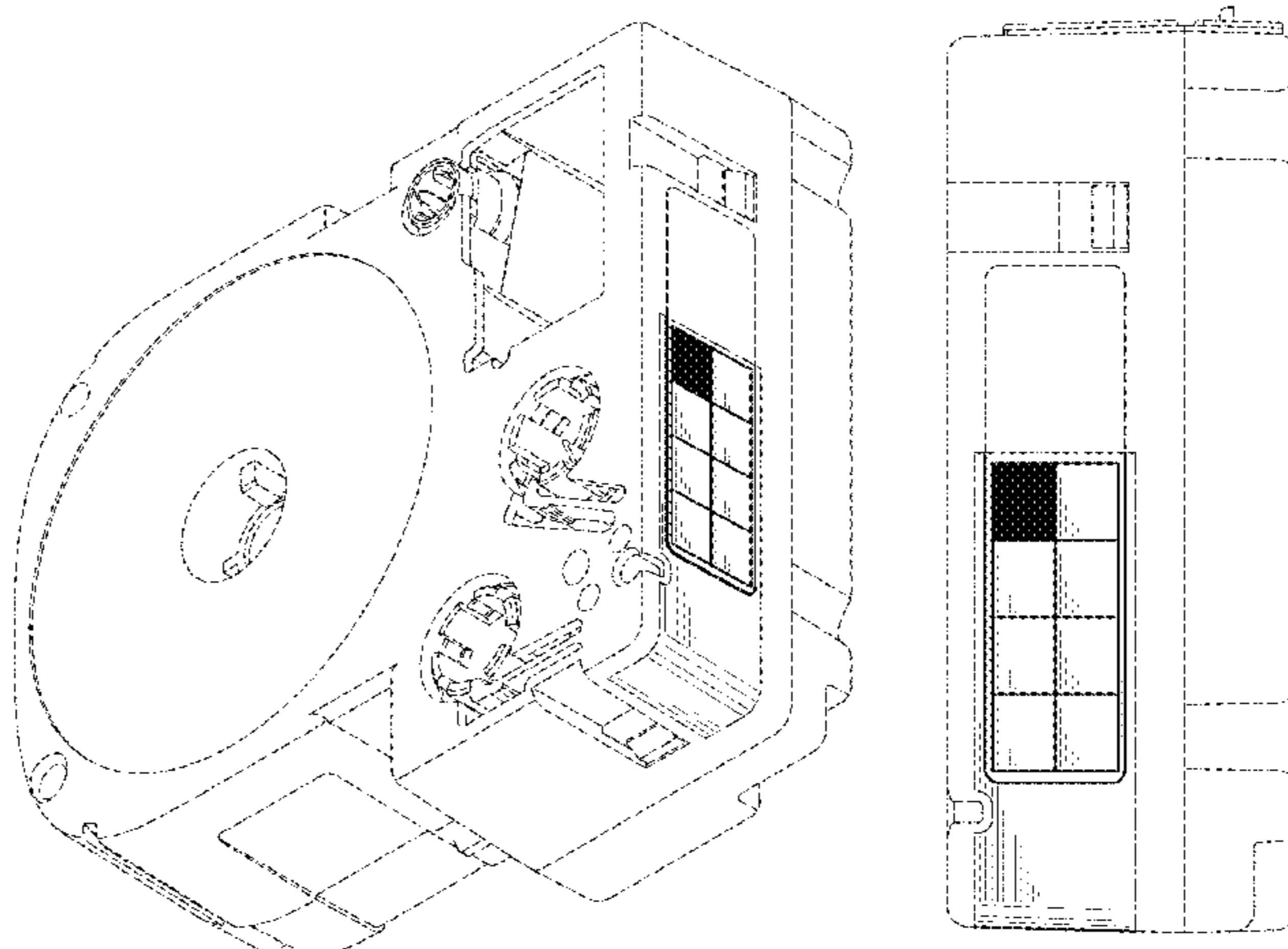
(57) **CLAIM**

The ornamental design for a tape cartridge for a label printer,  
as shown and described.

FIG. 1 is a front, bottom, and right side perspective view of a first embodiment of a tape cartridge for a label printer showing my new design;  
FIG. 2 is a front elevational view thereof;  
FIG. 3 is a rear elevational view thereof;  
FIG. 4 is a top plan view thereof;  
FIG. 5 is a bottom plan view thereof;  
FIG. 6 is a right side elevational view thereof;  
FIG. 7 is a left side elevational view thereof;  
FIG. 8 is a front, bottom, and right side perspective view of a second embodiment of a tape cartridge for a label printer showing my new design;  
FIG. 9 is a front elevational view thereof;  
FIG. 10 is a rear elevational view thereof;  
FIG. 11 is a top plan view thereof;  
FIG. 12 is a bottom plan view thereof;  
FIG. 13 is a right side elevational view thereof;  
FIG. 14 is a left side elevational view thereof;  
FIG. 15 is a front, bottom, and right side perspective view of a third embodiment of a tape cartridge for a label printer showing my new design;  
FIG. 16 is a front elevational view thereof;  
FIG. 17 is a rear elevational view thereof;  
FIG. 18 is a top plan view thereof;  
FIG. 19 is a bottom plan view thereof;  
FIG. 20 is a right side elevational view thereof;  
FIG. 21 is a left side elevational view thereof;  
FIG. 22 is a front, bottom, and right side perspective view of a fourth embodiment of a tape cartridge for a label printer showing my new design;  
FIG. 23 is a front elevational view thereof;  
FIG. 24 is a rear elevational view thereof;  
FIG. 25 is a top plan view thereof;  
FIG. 26 is a bottom plan view thereof;  
FIG. 27 is a right side elevational view thereof; and,  
FIG. 28 is a left side elevational view thereof.

The features shown in broken lines in the drawings depict environmental subject matter only and form no part of the claimed design. The dash-dotted lines denote the boundary

(Continued)



of the claim and form no part of the claimed design. The solid black areas in the drawing are black in color.

**1 Claim, 28 Drawing Sheets**

(30) **Foreign Application Priority Data**

Apr. 3, 2015 (JP) ..... 2015-007692  
 Apr. 3, 2015 (JP) ..... 2015-007693

(58) **Field of Classification Search**

CPC ..... B41J 3/4075; B41J 15/044; B41J 32/00;  
 B31D 1/027; G06F 17/30725; G06Q  
 20/3274; G06Q 20/3276  
 See application file for complete search history.

(56) **References Cited**

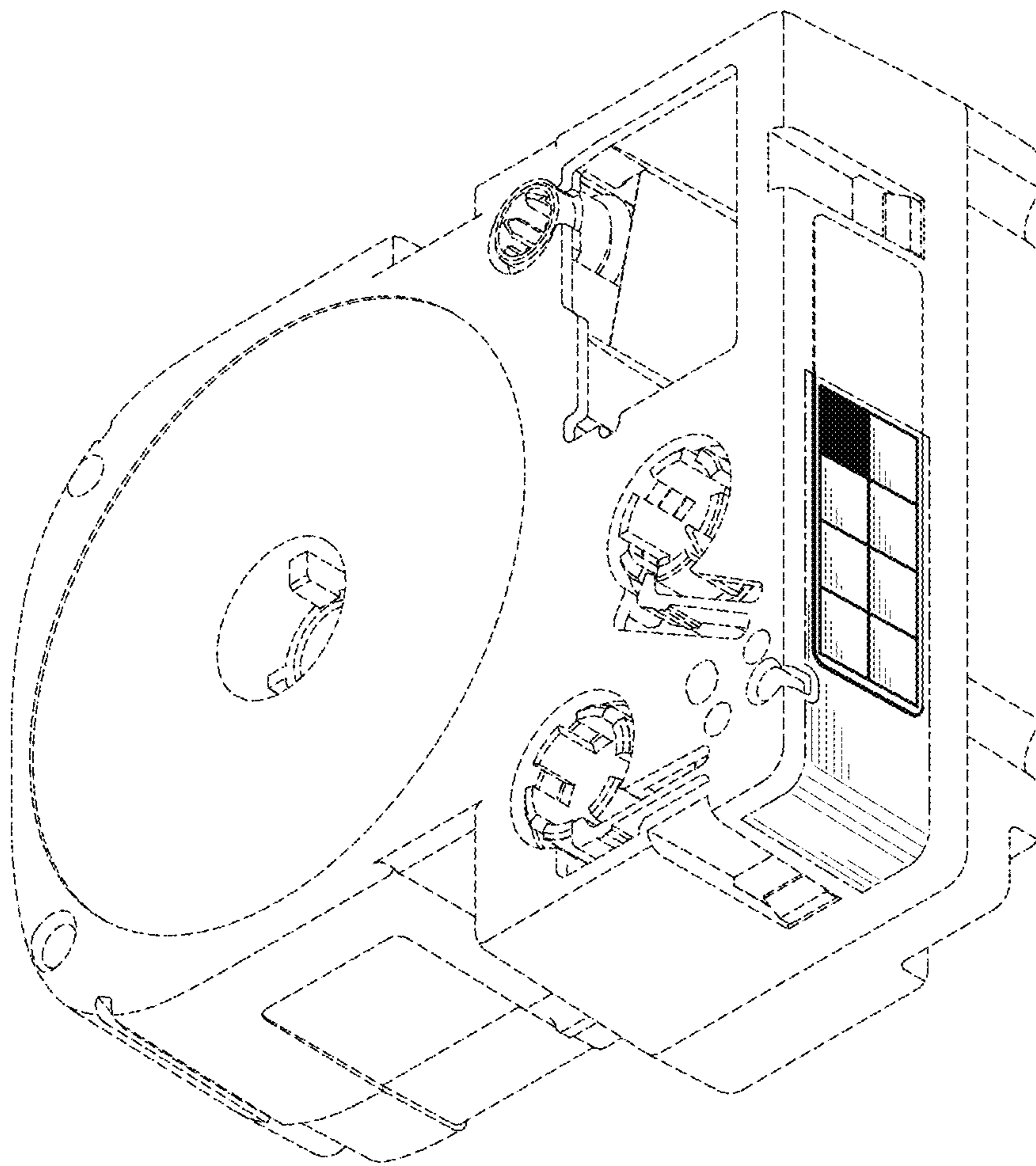
U.S. PATENT DOCUMENTS

D313,569 S \* 1/1991 Allard ..... D10/121  
 D344,102 S \* 2/1994 Polak ..... D20/11

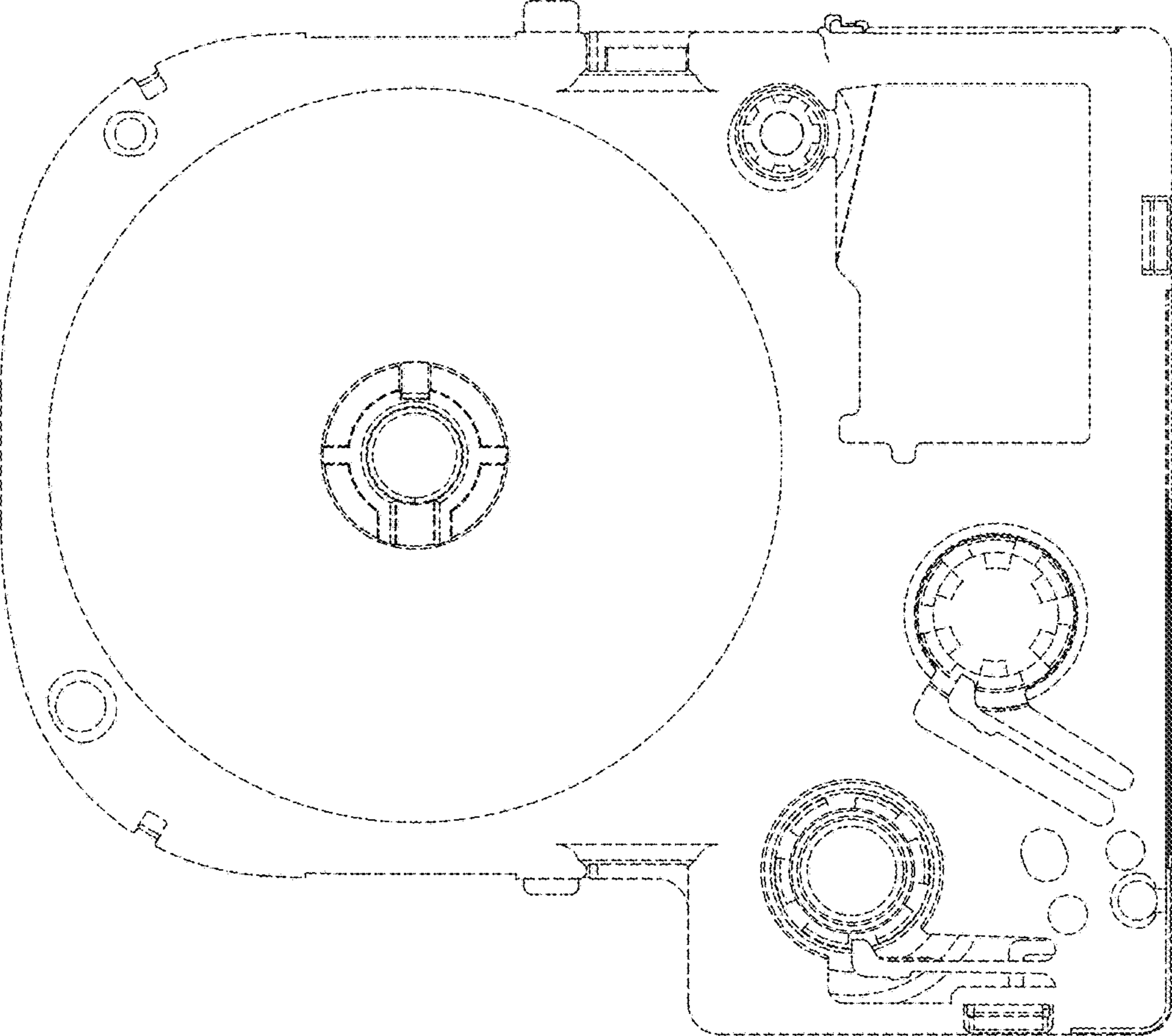
5,934,812 A \* 8/1999 Nunokawa ..... B41J 3/4075  
 400/621  
 6,373,510 B1 \* 4/2002 Hosokawa ..... B41J 3/4075  
 347/171  
 D587,145 S \* 2/2009 Nakatsubo ..... D10/52  
 D588,029 S \* 3/2009 Nakatsubo ..... D10/52  
 D653,144 S \* 1/2012 Kazyaka ..... D10/122  
 D660,352 S \* 5/2012 Sodeyama ..... D18/56  
 D665,020 S \* 8/2012 Sodeyama ..... D18/56  
 9,022,503 B2 \* 5/2015 Toya ..... B41J 2/2114  
 347/14  
 9,145,008 B2 \* 9/2015 Nakajima ..... B41J 11/663  
 9,399,357 B2 \* 7/2016 Ishino ..... B41J 2/3551  
 2002/0030712 A1 \* 3/2002 Silverbrook ..... B41J 2/14  
 347/19  
 2002/0071104 A1 \* 6/2002 Silverbrook ..... B41J 2/14  
 355/18  
 2006/0222429 A1 \* 10/2006 Kurashina ..... B41J 3/32  
 400/76  
 2014/0292983 A1 \* 10/2014 Nagahara ..... B41J 11/663  
 347/104  
 2015/0283836 A1 \* 10/2015 Sakano ..... B41J 3/4075  
 347/214  
 2016/0271983 A1 \* 9/2016 Sakano ..... B41J 17/32

\* cited by examiner

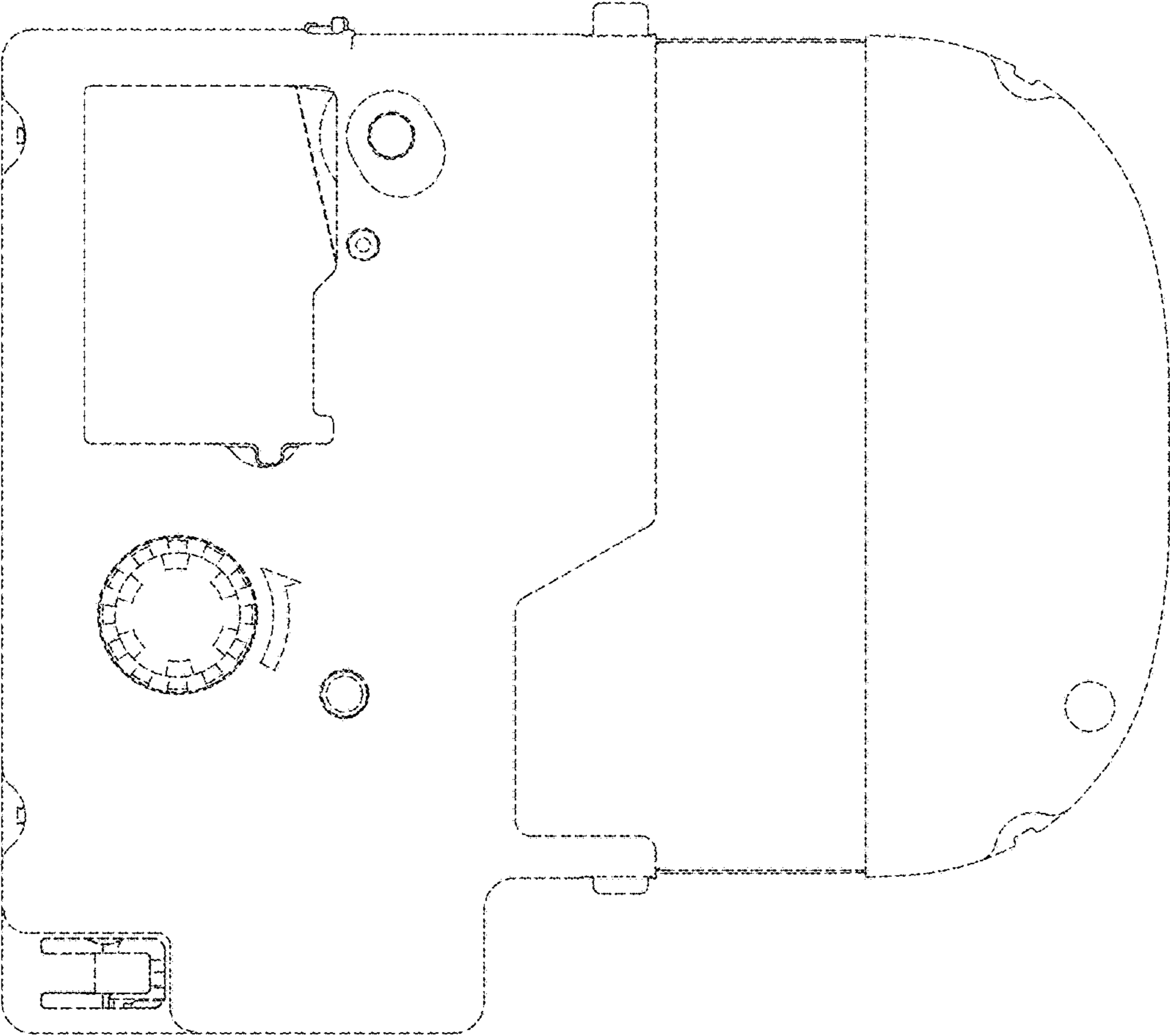
**FIG. 1**



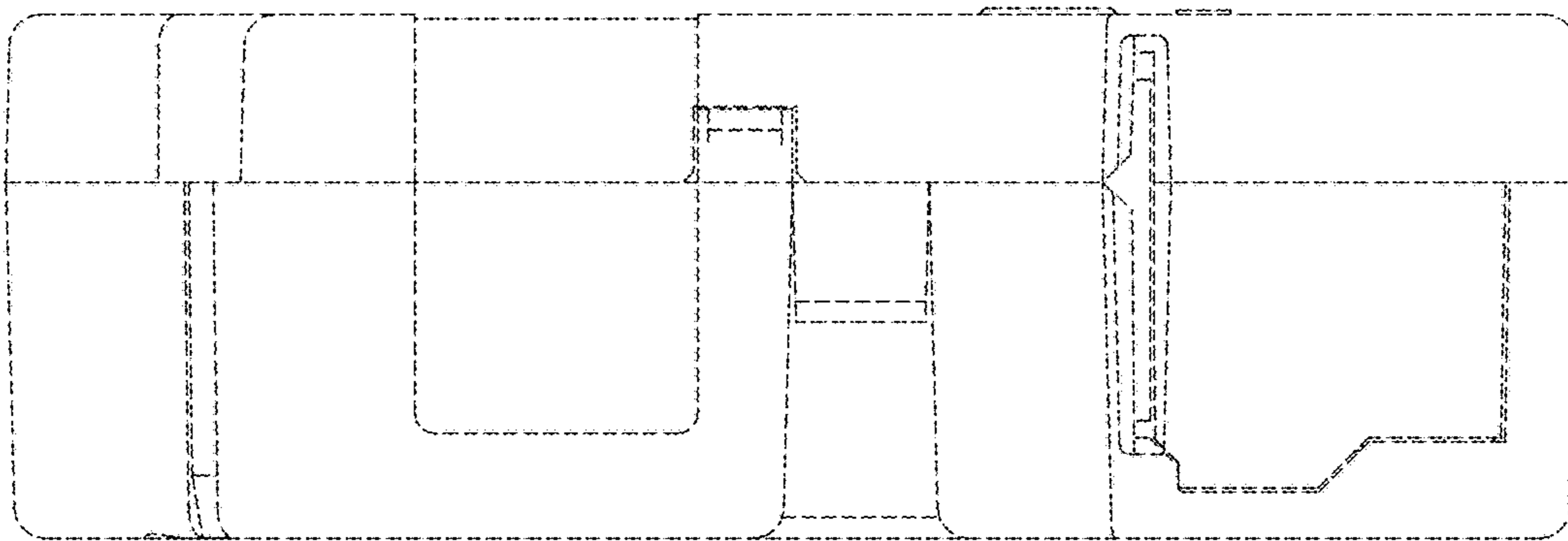
**FIG. 2**



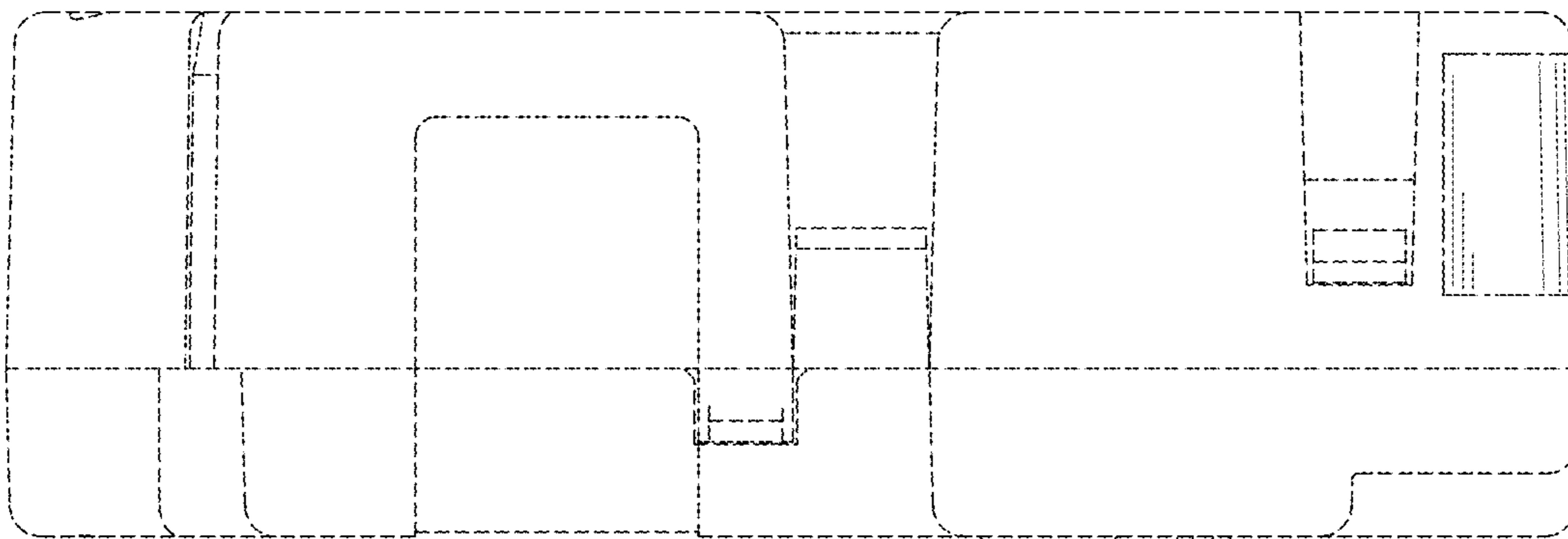
**FIG. 3**



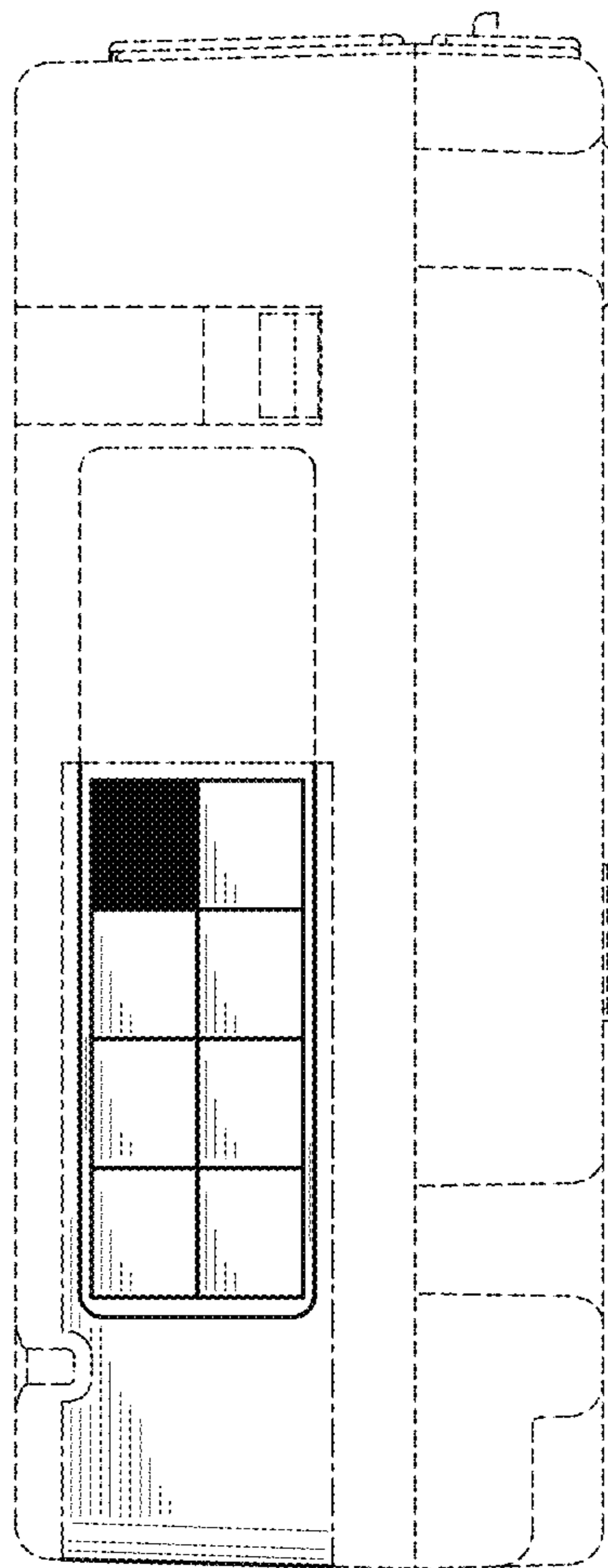
**FIG. 4**



**FIG. 5**

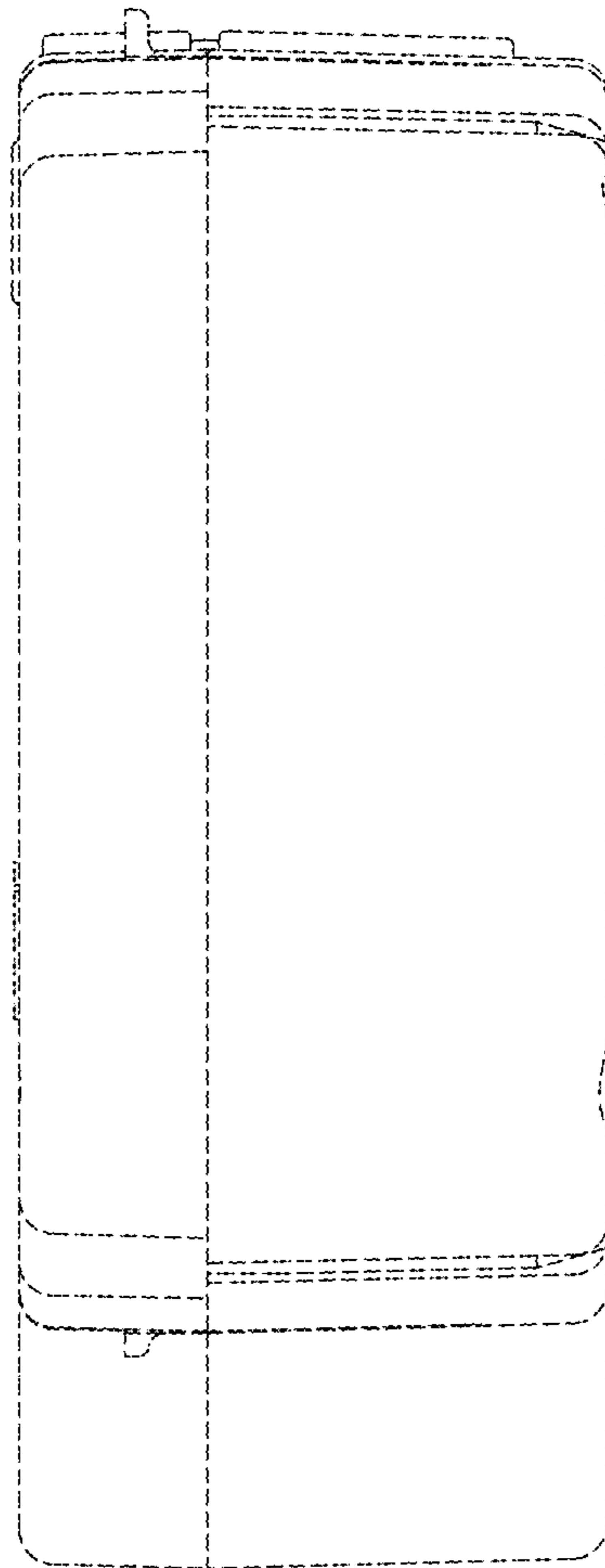


**FIG. 6**

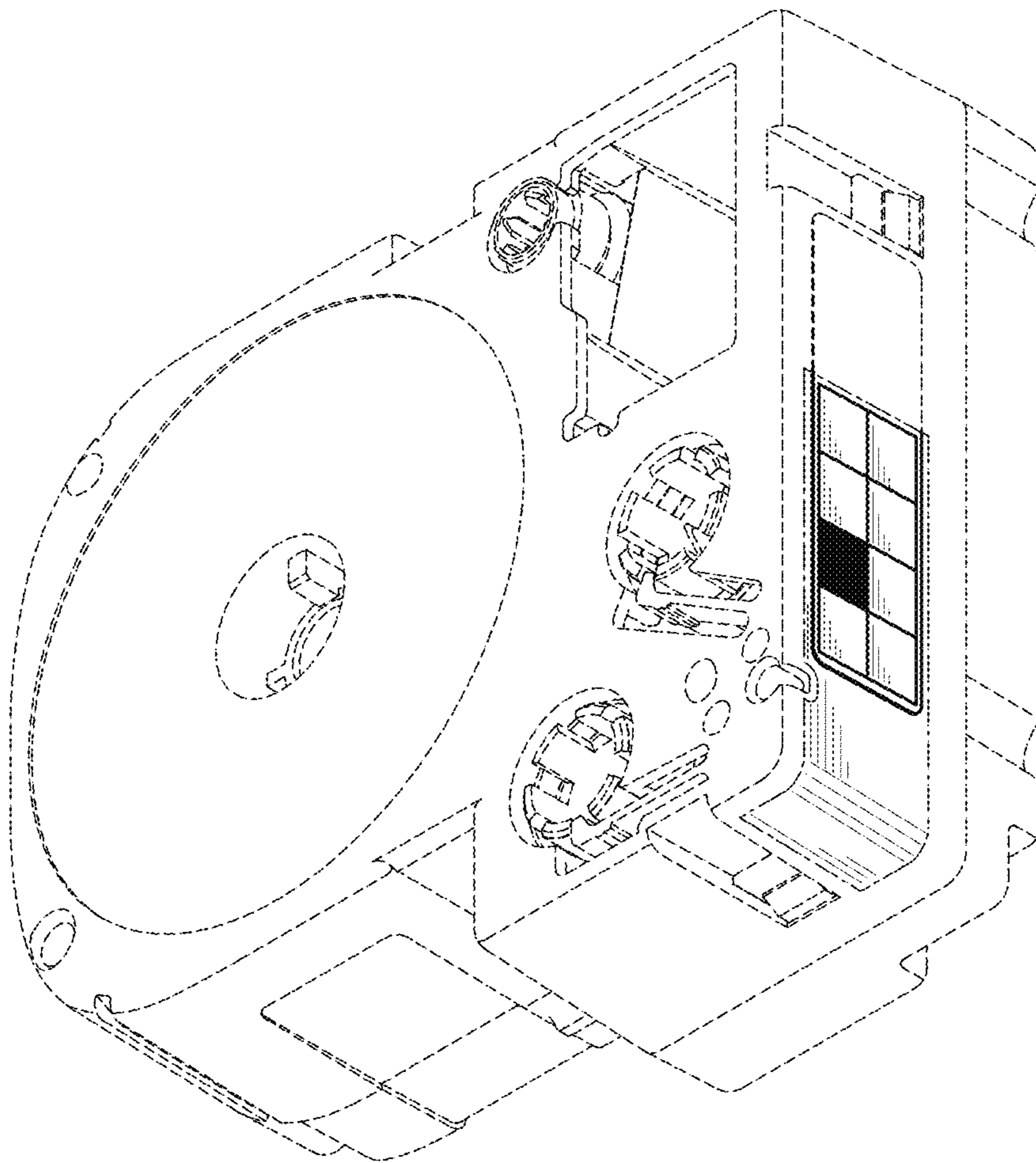




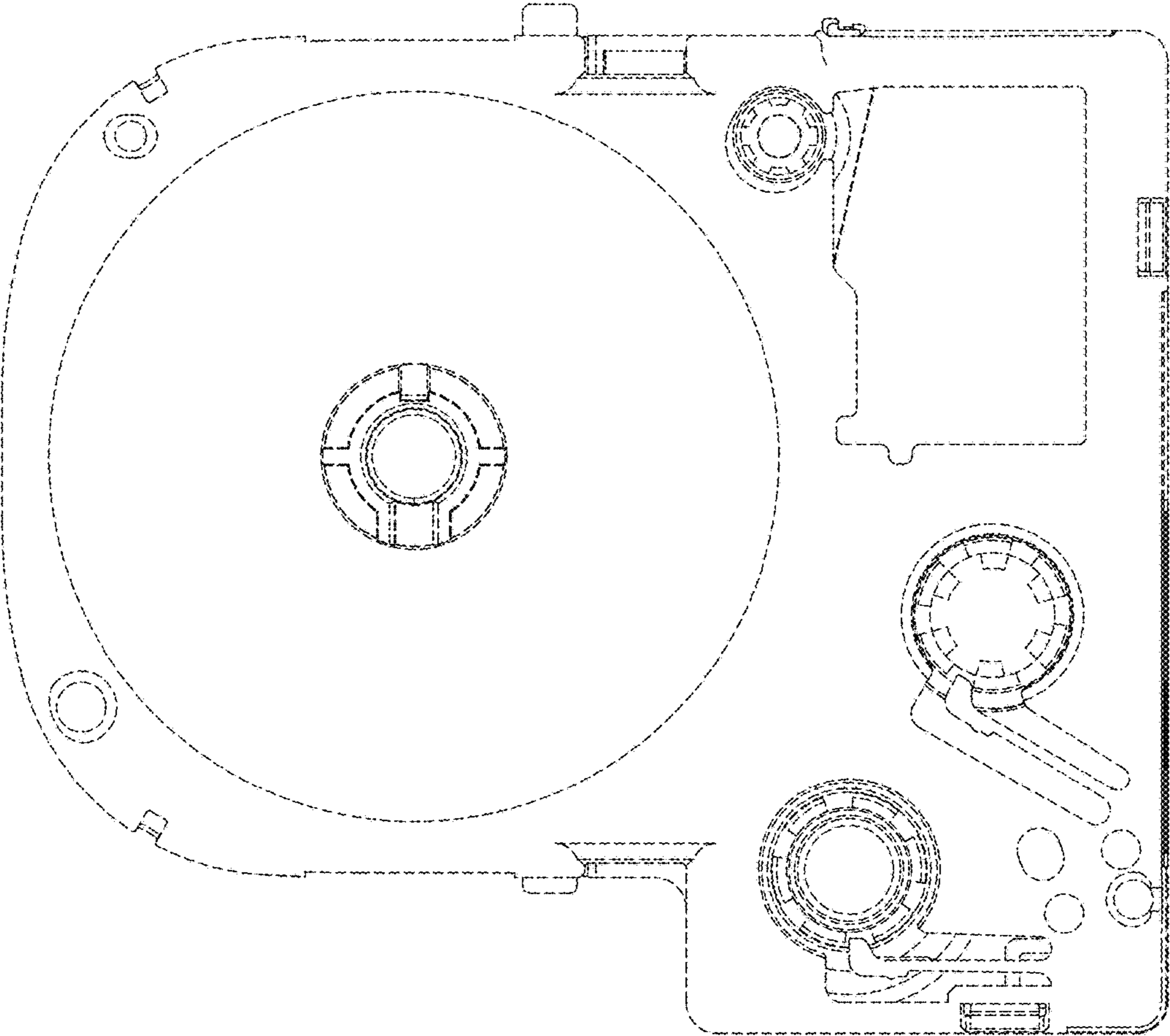
**FIG. 7**



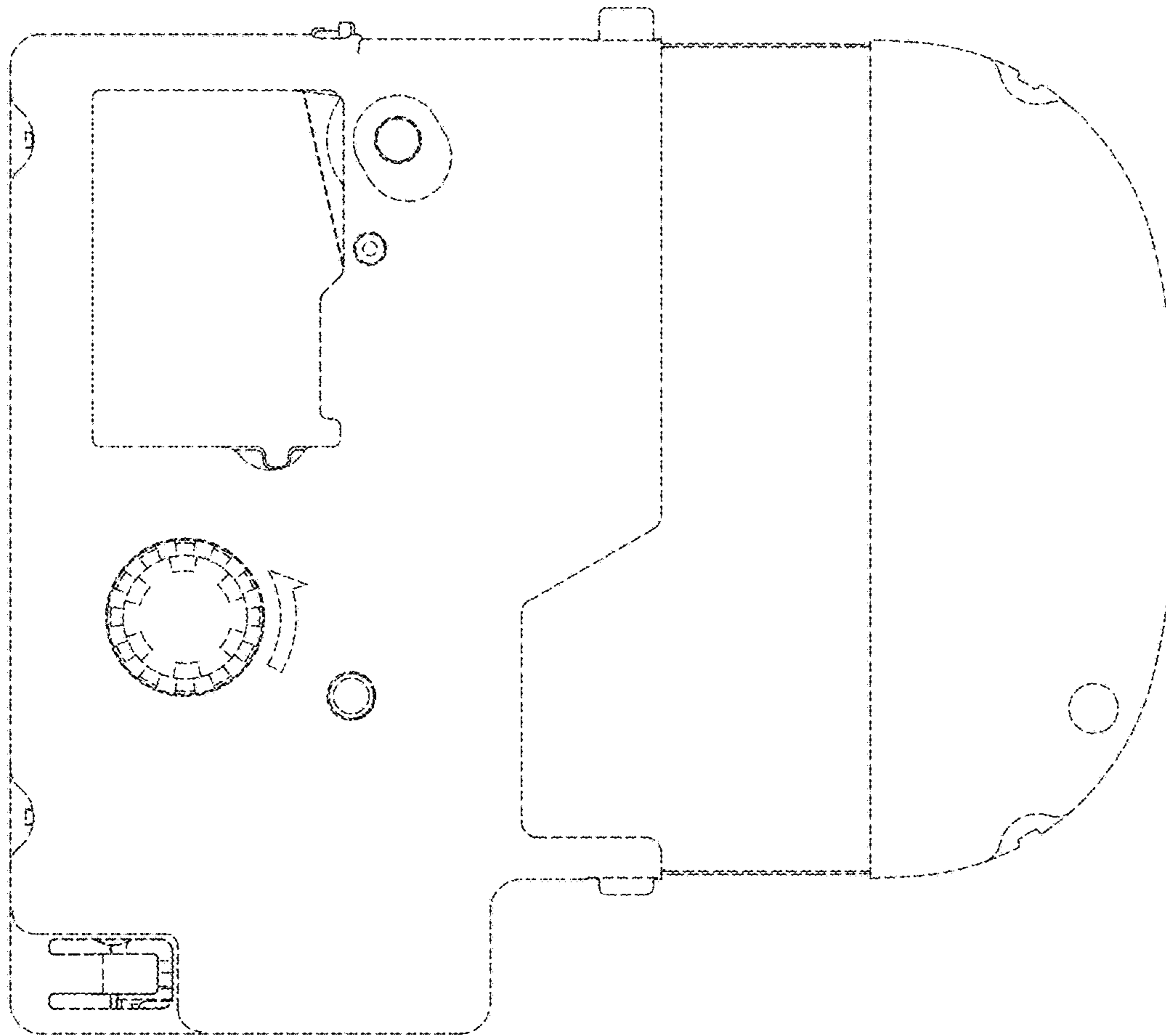
**FIG. 8**



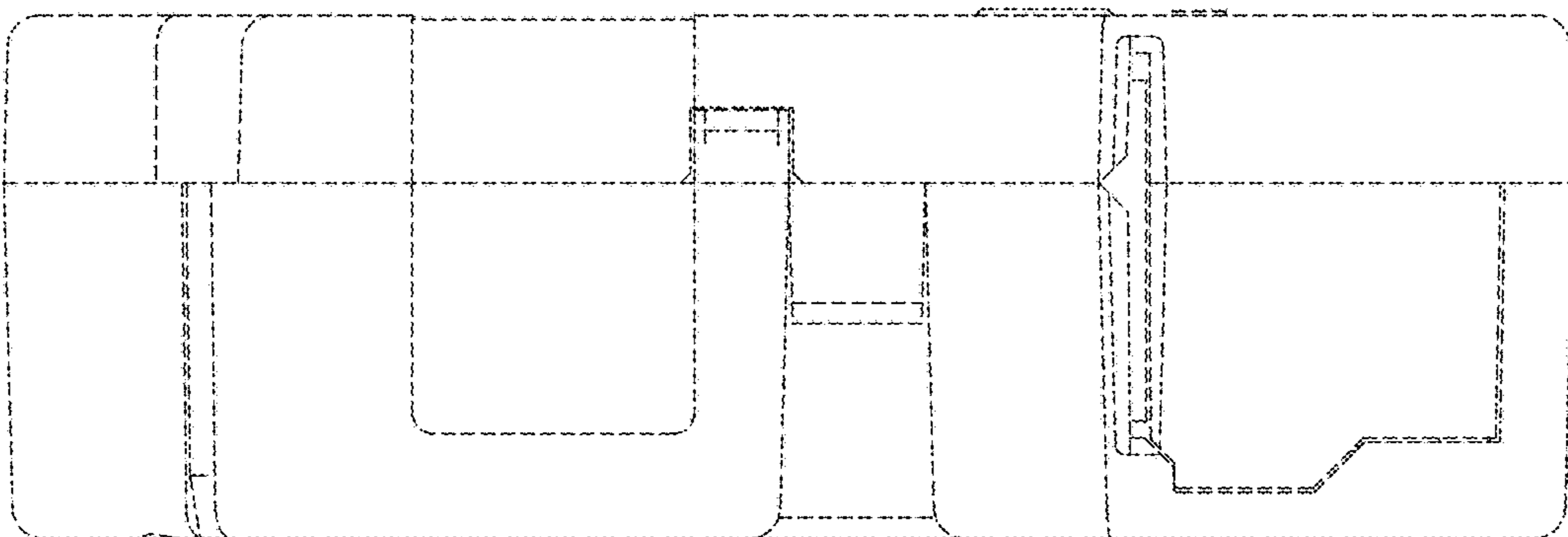
**FIG. 9**



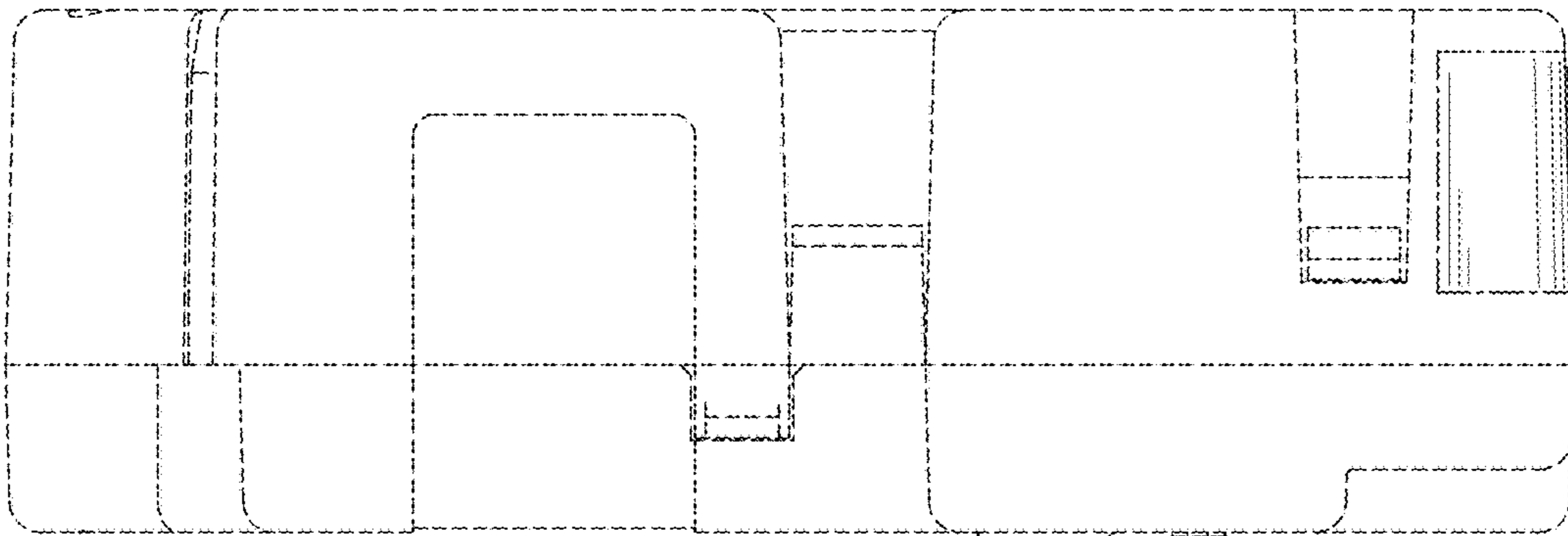
**FIG. 10**



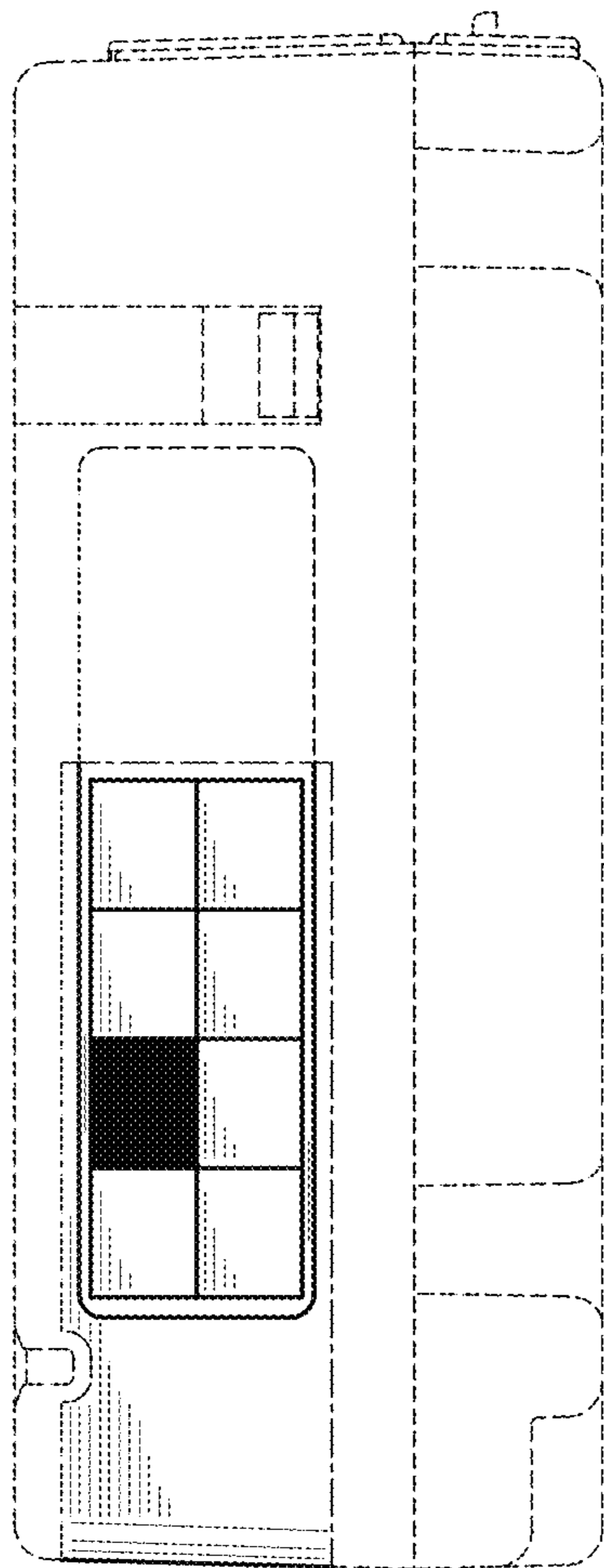
**FIG. 11**



**FIG. 12**



**FIG. 13**

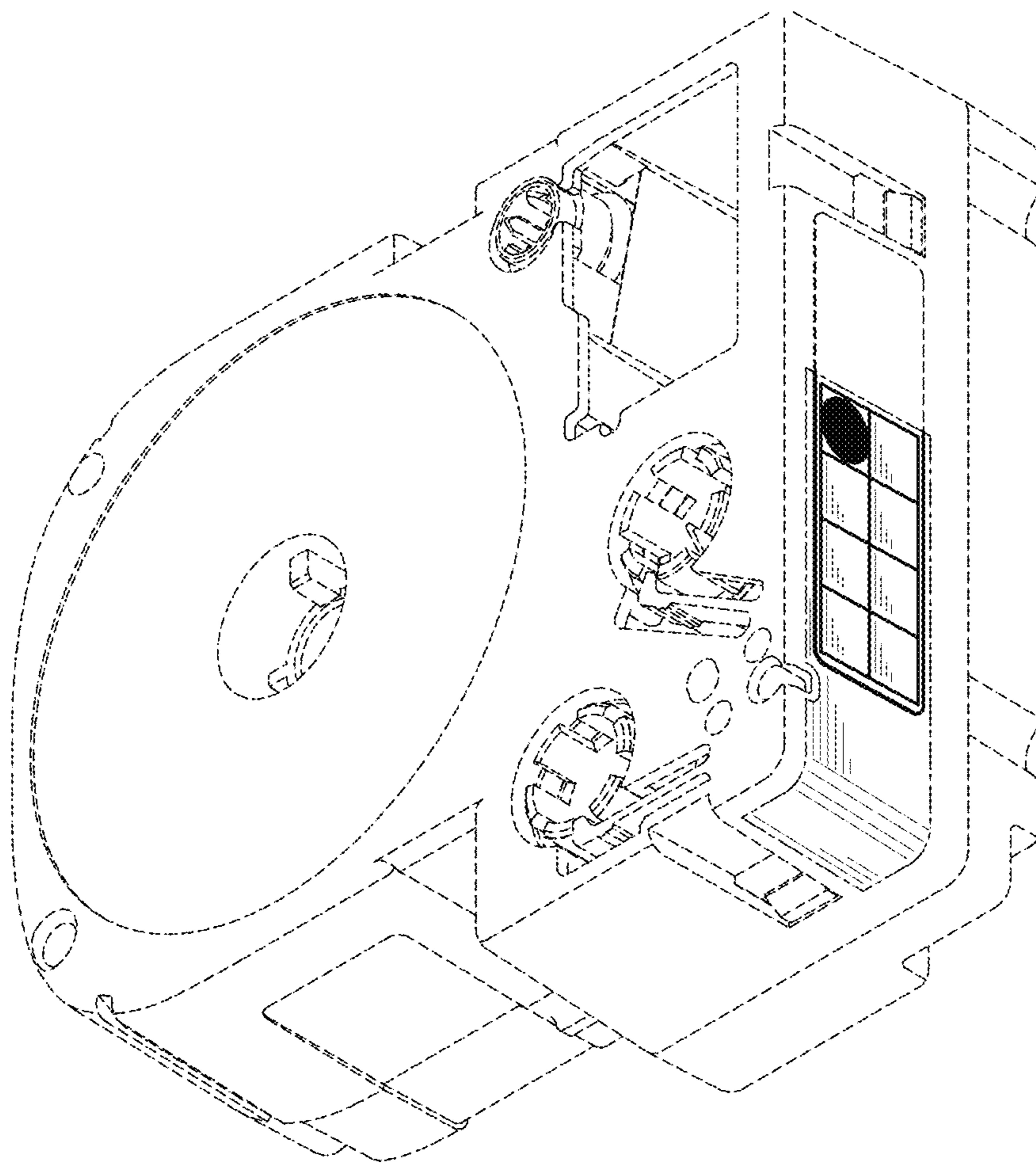


**FIG. 14**

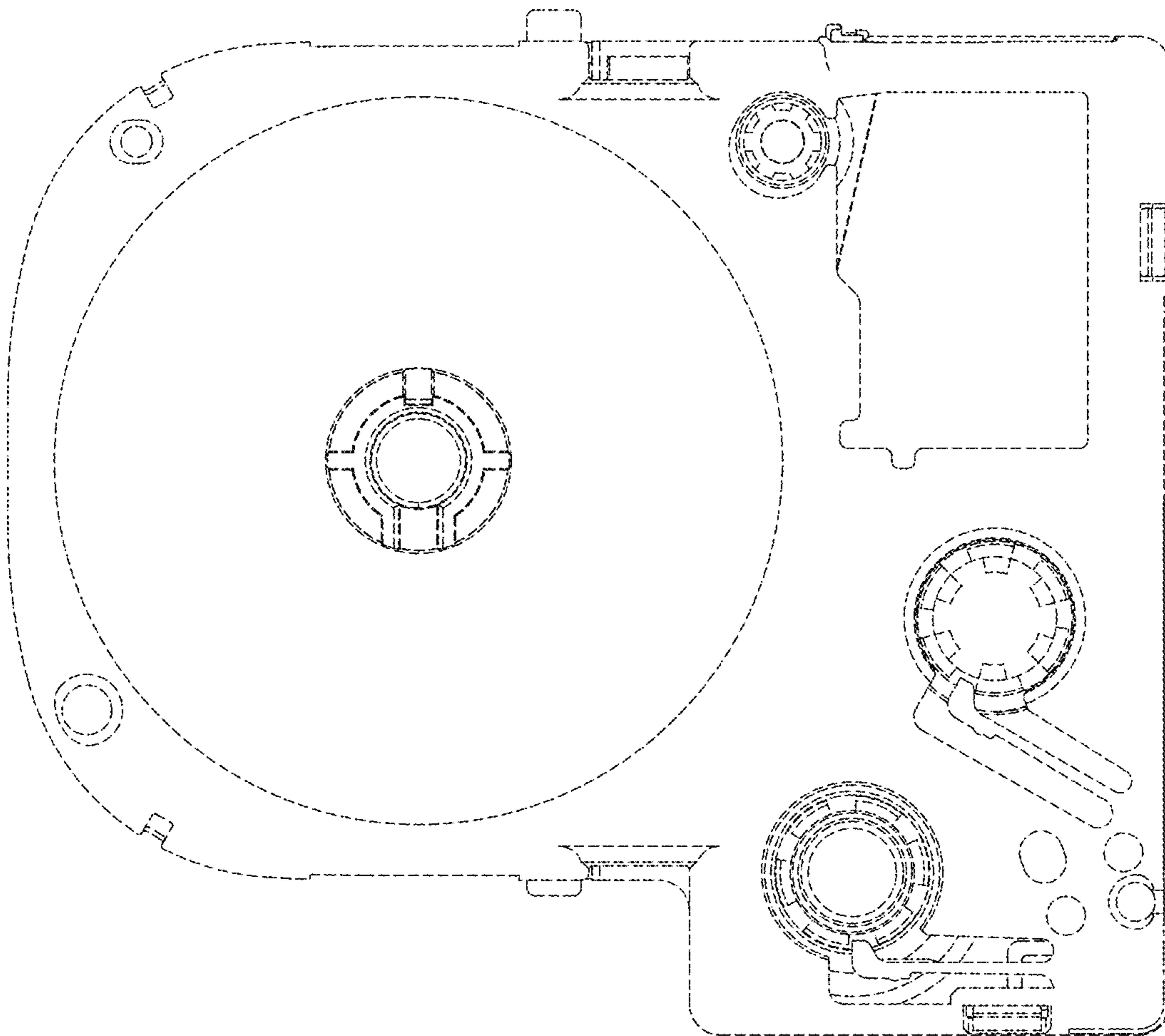




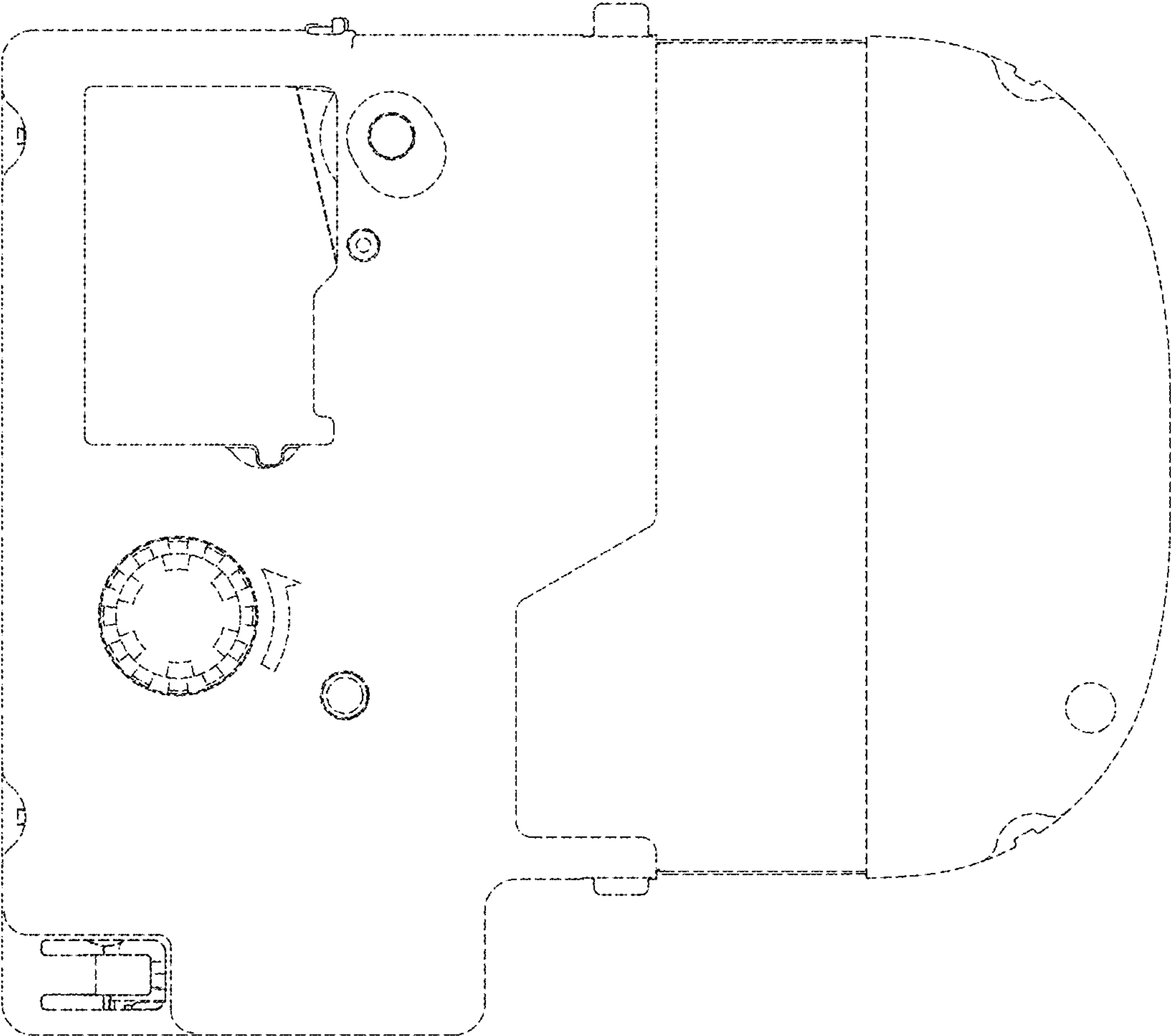
**FIG. 15**



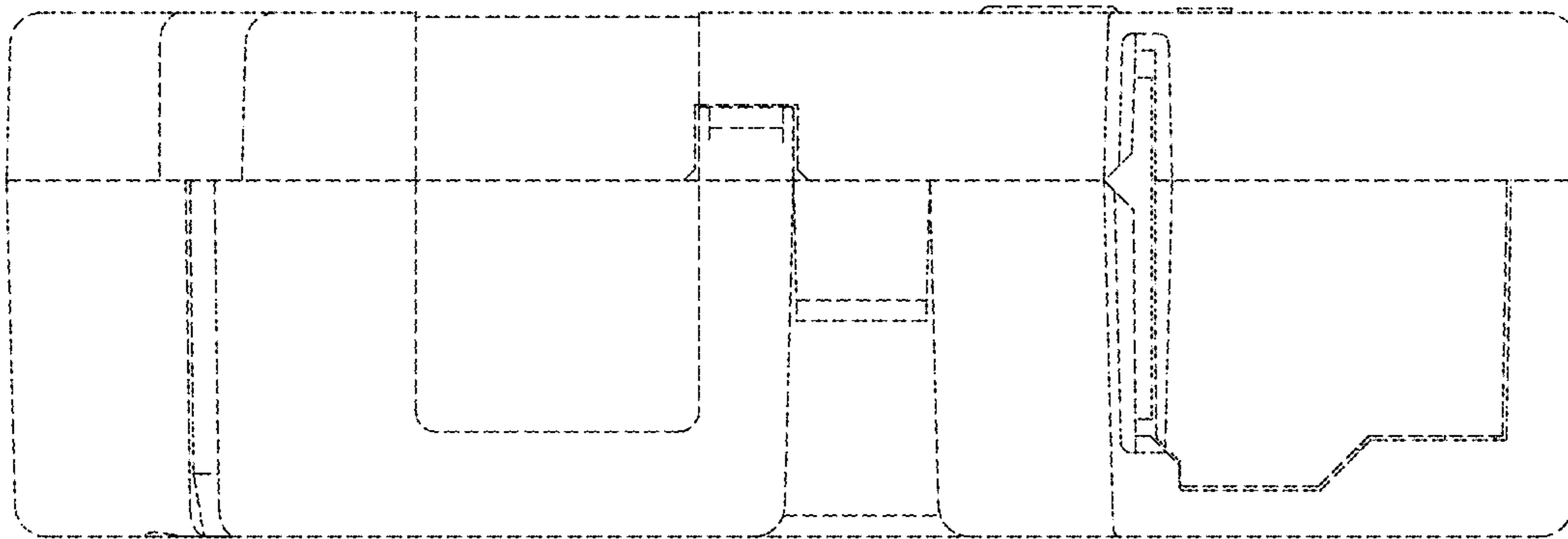
**FIG. 16**



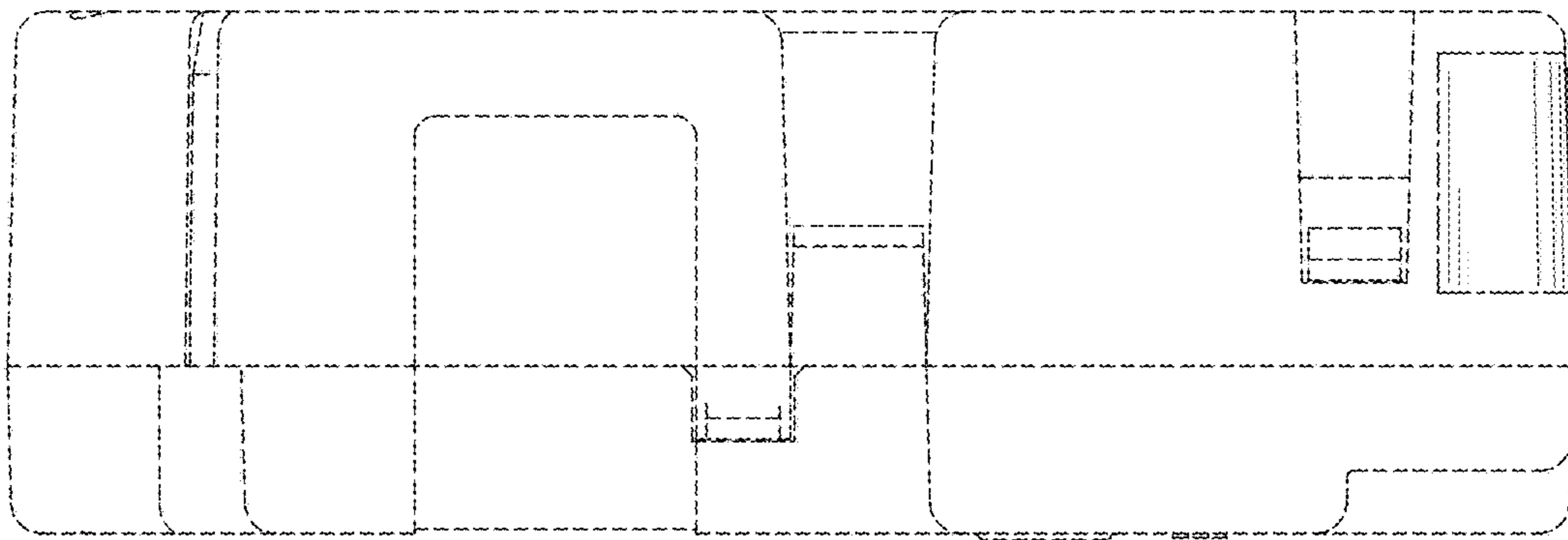
**FIG. 17**



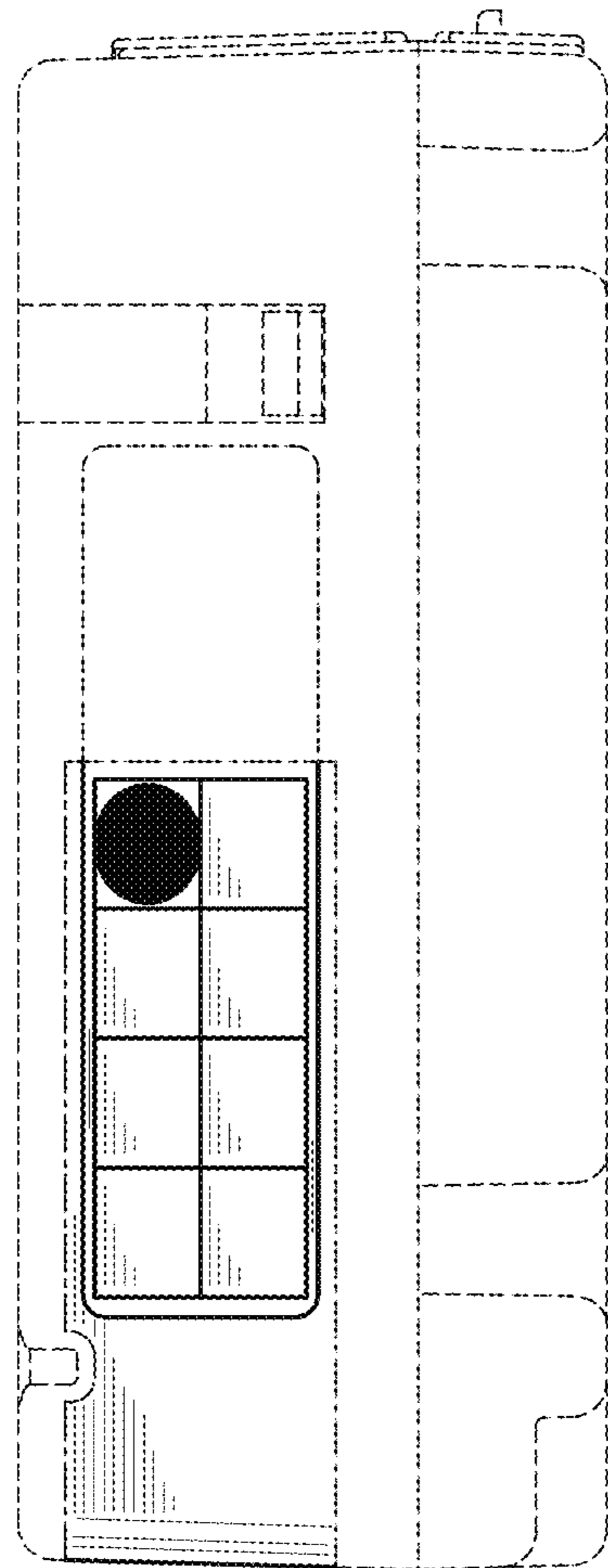
**FIG. 18**



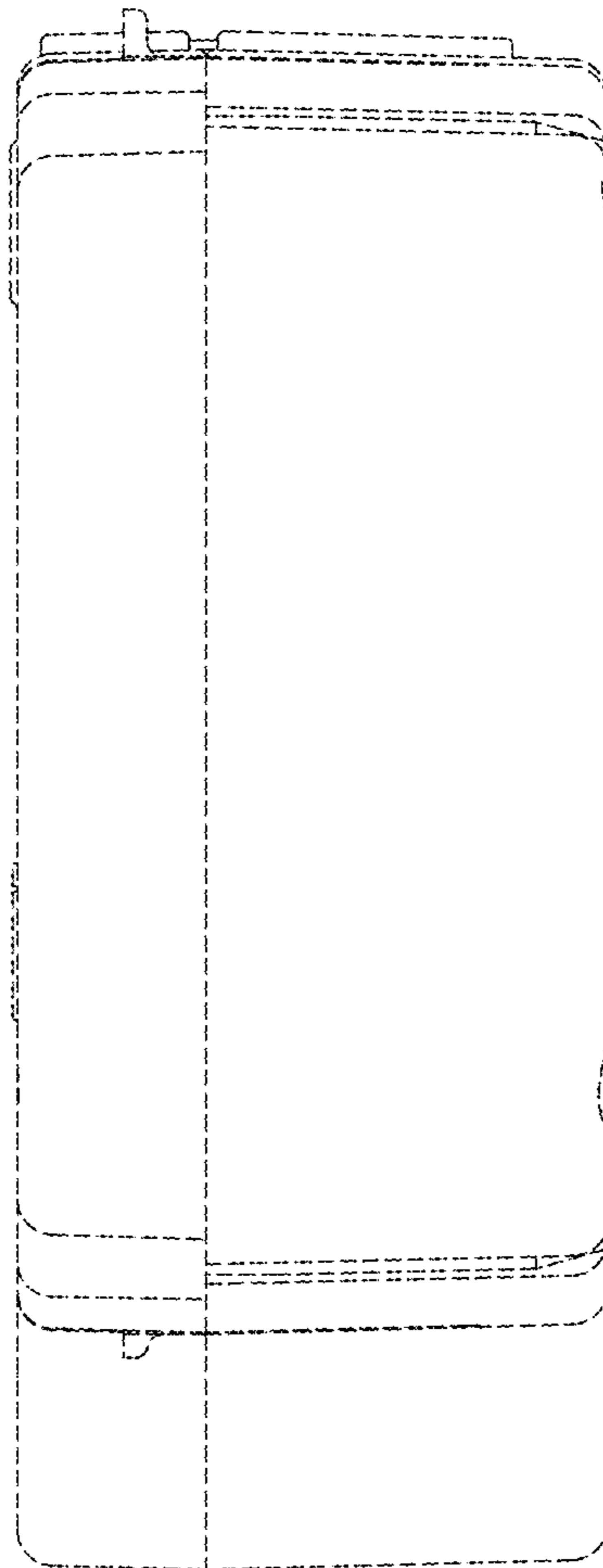
***FIG. 19***



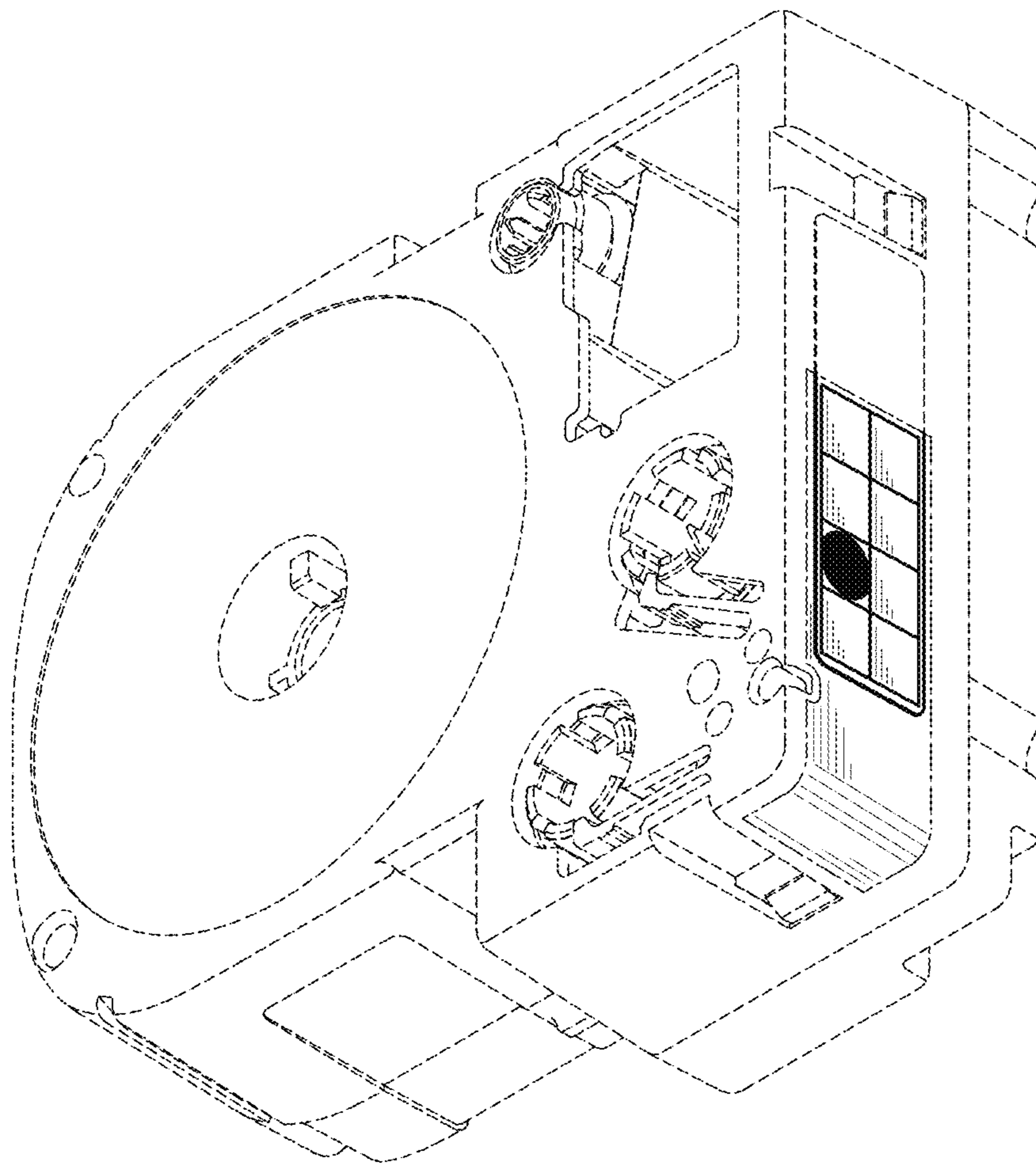
**FIG. 20**



***FIG. 21***

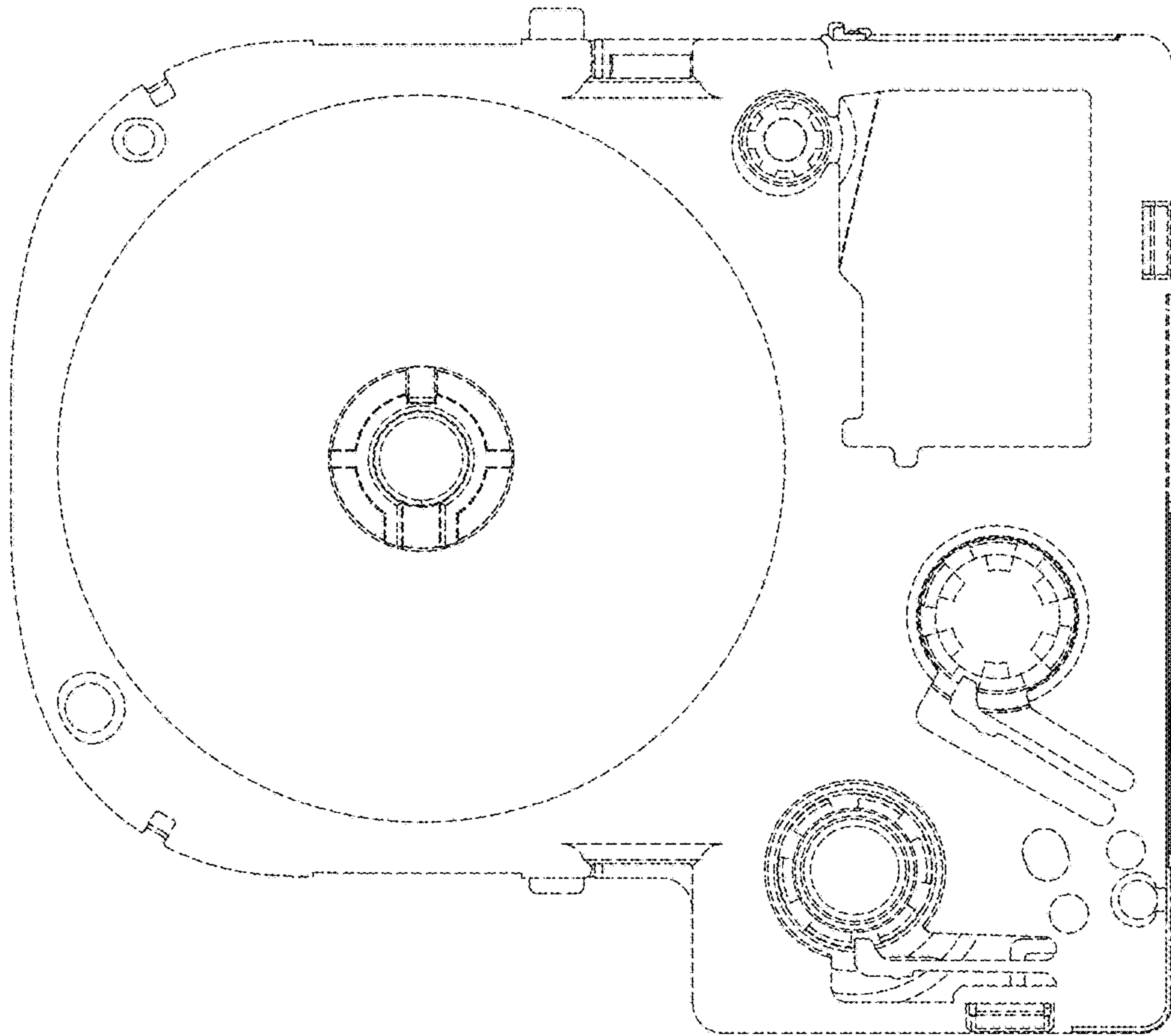


**FIG. 22**

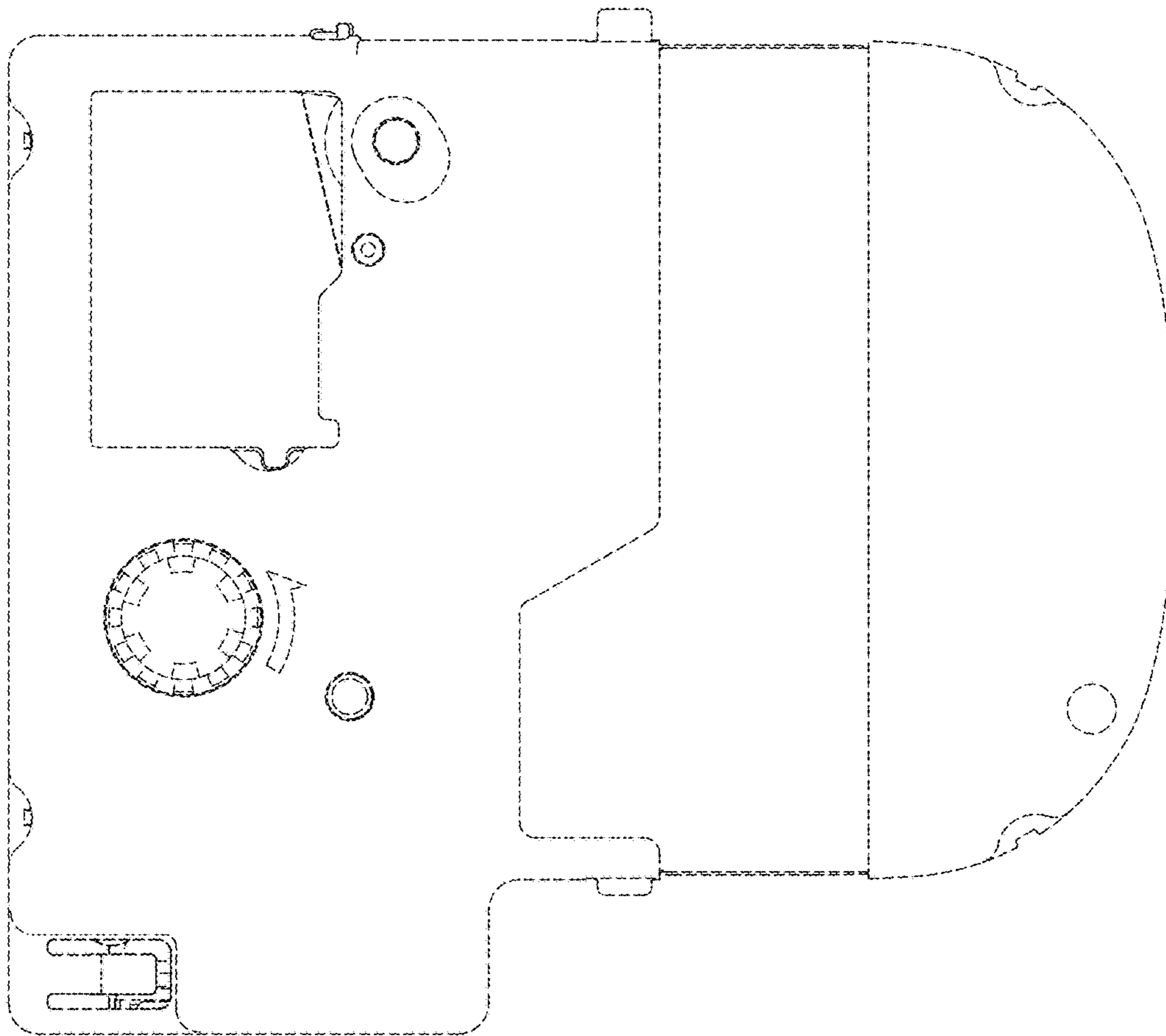




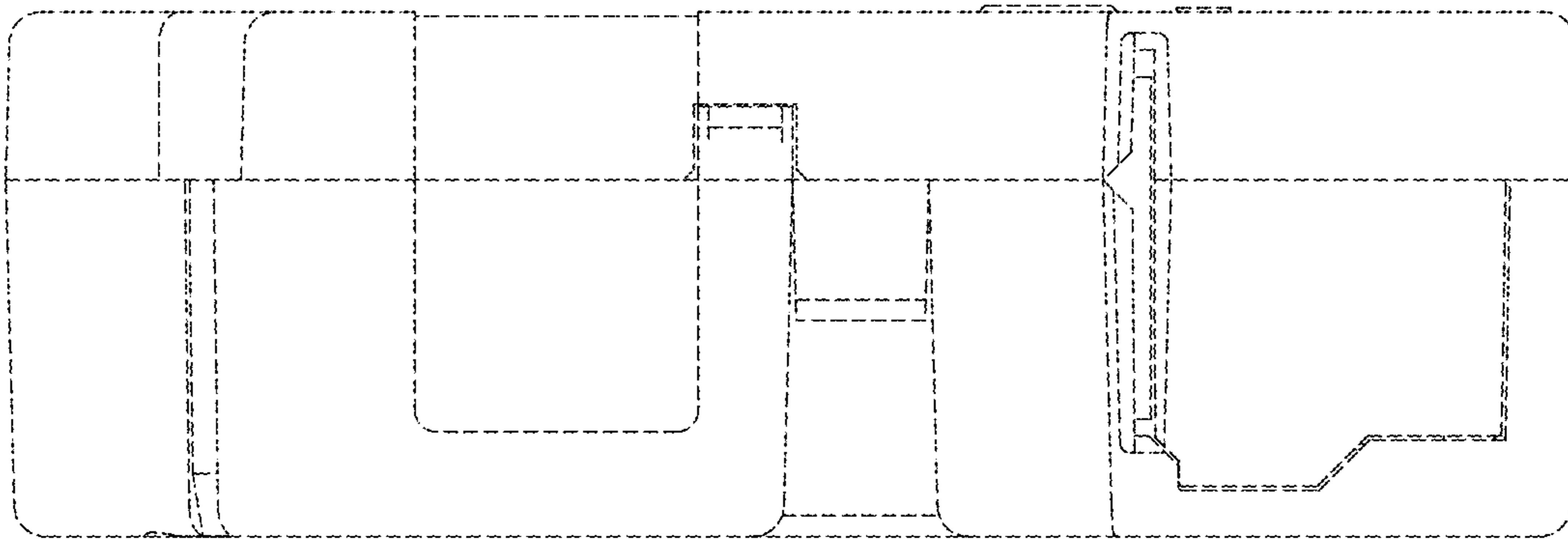
**FIG. 23**



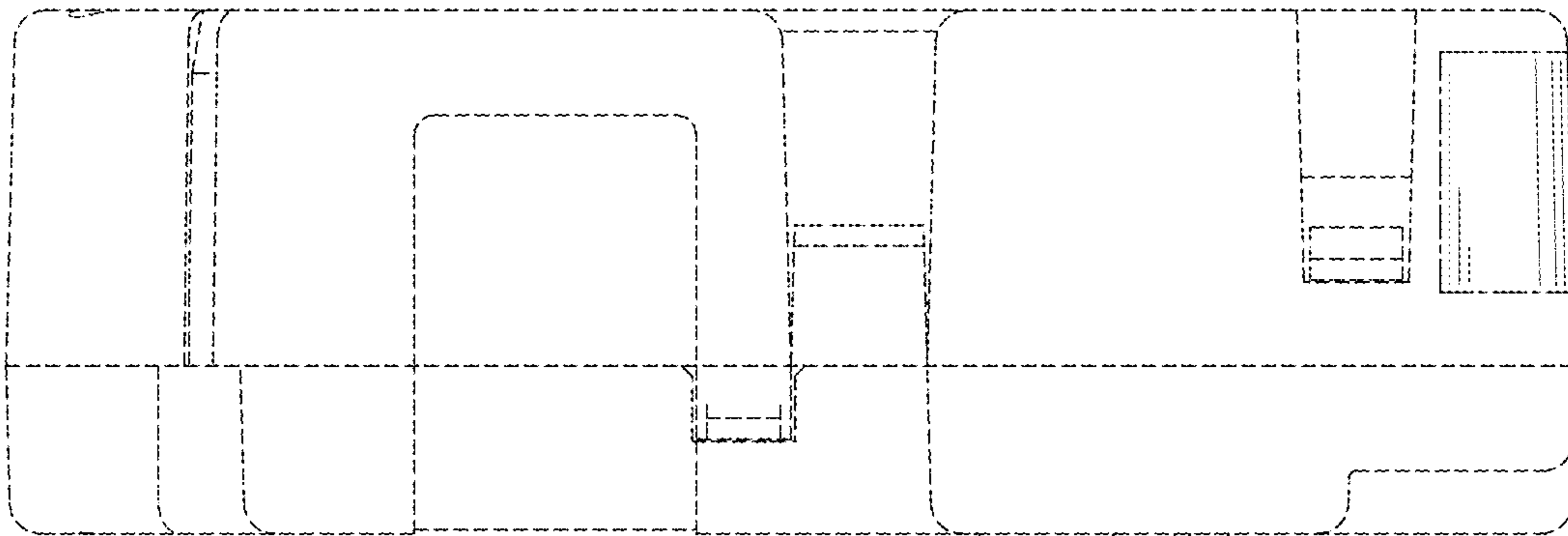
**FIG. 24**



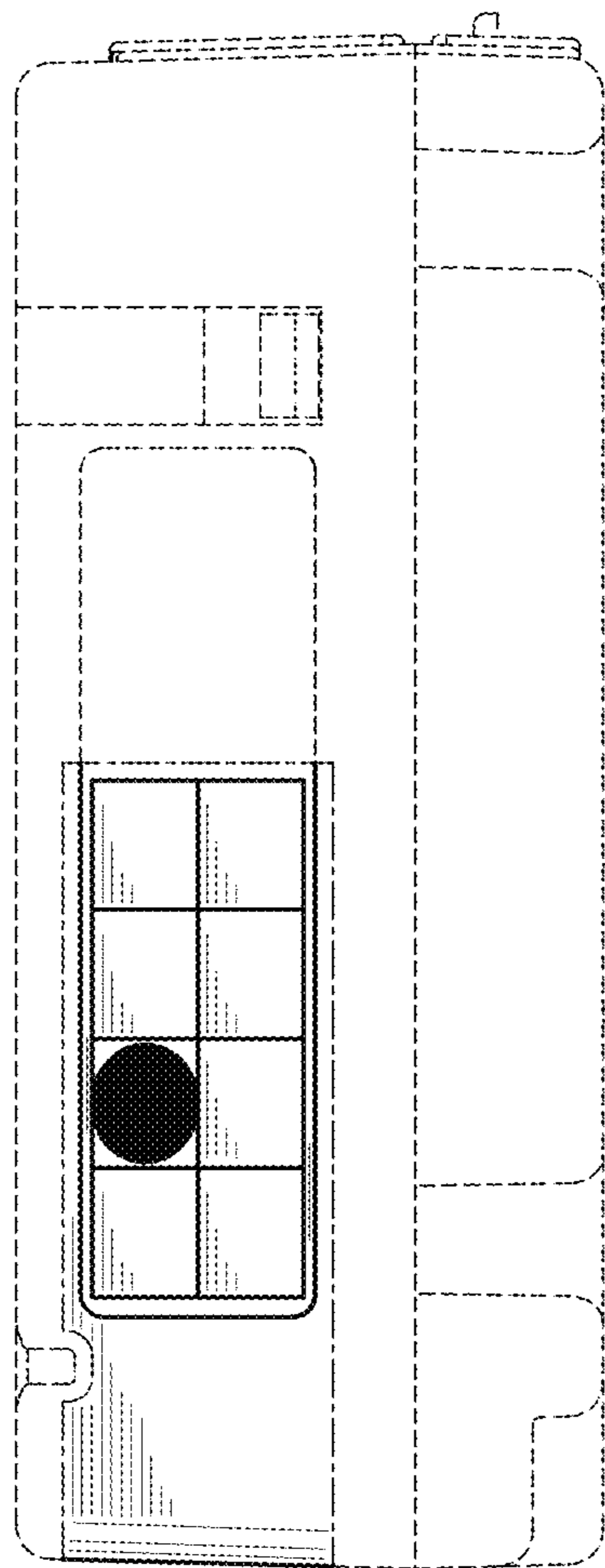
**FIG. 25**



**FIG. 26**



**FIG. 27**



**FIG. 28**

