



US00D787586S

(12) **United States Design Patent** (10) **Patent No.:** **US D787,586 S**
Van Den Broecke (45) **Date of Patent:** **** May 23, 2017**

- (54) **CASSETTE**
- (71) Applicant: **DYMO**, Sint-Niklaas (BE)
- (72) Inventor: **Stefaan Van Den Broecke**, Kalamazoo, MI (US)
- (73) Assignee: **DYMO**, Sint-Niklaas (BE)
- (**) Term: **14 Years**
- (21) Appl. No.: **29/509,231**
- (22) Filed: **Nov. 14, 2014**

- 5,540,540 A * 7/1996 Peterson B60P 3/127
280/402
- 5,674,017 A 10/1997 Kitazawa
- D423,566 S 4/2000 Hosono
- D435,589 S 12/2000 Huss
- 6,341,906 B2 1/2002 Kobayashi et al.
- 6,367,995 B1 4/2002 Hashimoto et al.
- D647,127 S * 10/2011 Mita D18/12

(Continued)

Primary Examiner — Cathy Anne MacCormac
 (74) *Attorney, Agent, or Firm* — Marshall, Gerstein & Borun LLP

(57) **CLAIM**

The ornamental design for a cassette, as shown and described.

DESCRIPTION

FIG. 1 is a front, bottom and right side perspective view showing my new design for a cassette;
 FIG. 2 is a rear, bottom and right side perspective view of the cassette of FIG. 1;
 FIG. 3 is a front view of the cassette of FIG. 1;
 FIG. 4 is a rear view of the cassette of FIG. 1;
 FIG. 5 is a left side view of the cassette of FIG. 1;
 FIG. 6 is a bottom plan view of the cassette of FIG. 1;
 FIG. 7 is a top plan view of the cassette of FIG. 1;
 FIG. 8 is a front, bottom and right side perspective view showing a second embodiment of my new design for a cassette;
 FIG. 9 is a rear, bottom and left side perspective view of the cassette of FIG. 8;
 FIG. 10 is a front view of the cassette of FIG. 8;
 FIG. 11 is a rear view of the cassette of FIG. 8;
 FIG. 12 is a left side view of the cassette of FIG. 8;
 FIG. 13 is a bottom plan view of the cassette of FIG. 8; and,
 FIG. 14 is a top plan view of the cassette of FIG. 8.
 The broken lines depict environmental subject matter and form no part of the claimed design.

Related U.S. Application Data

- (62) Division of application No. 29/453,381, filed on Apr. 29, 2013, now Pat. No. Des. 720,804, which is a division of application No. 29/377,899, filed on Oct. 27, 2010, now Pat. No. Des. 681,727.

Foreign Application Priority Data

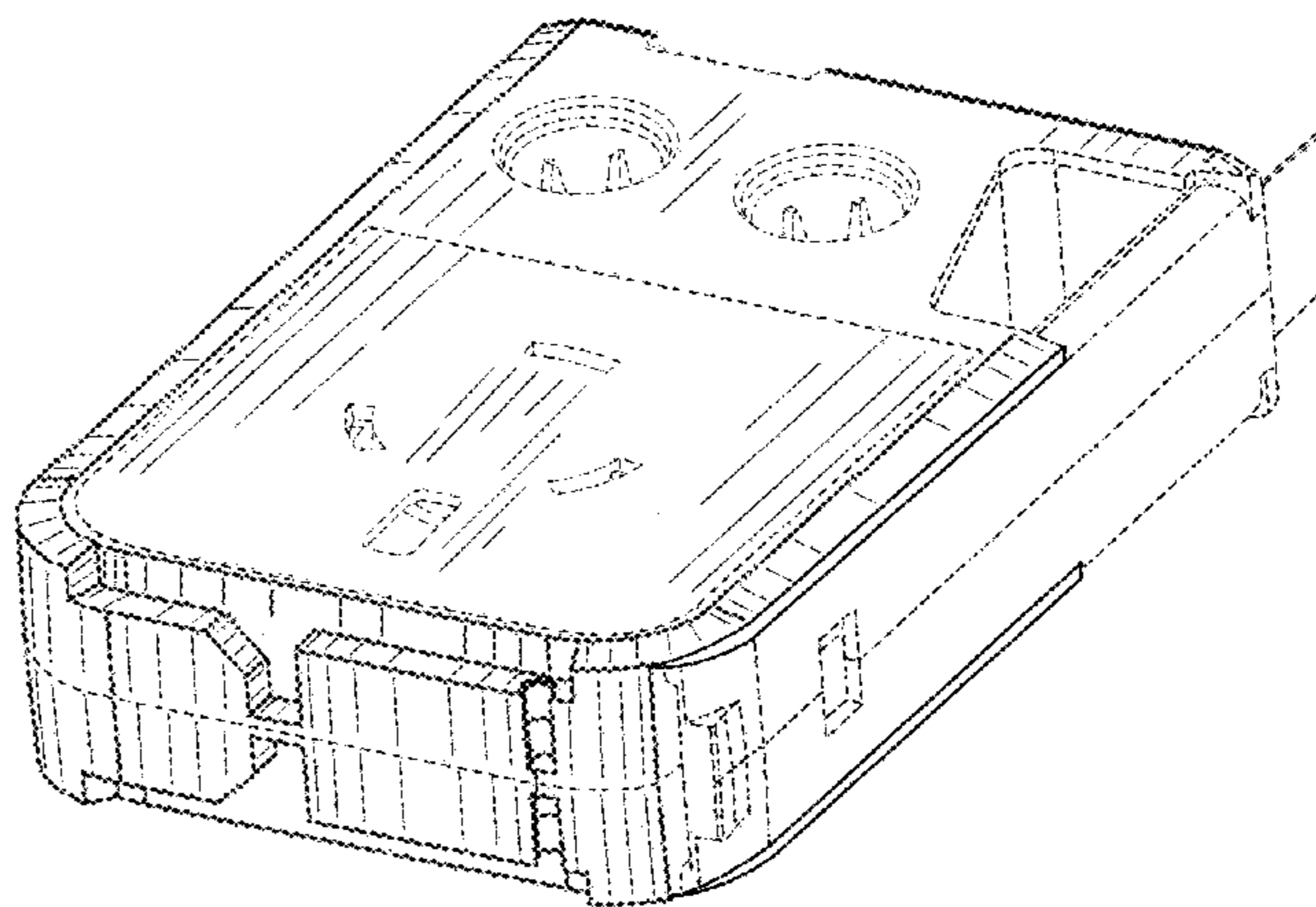
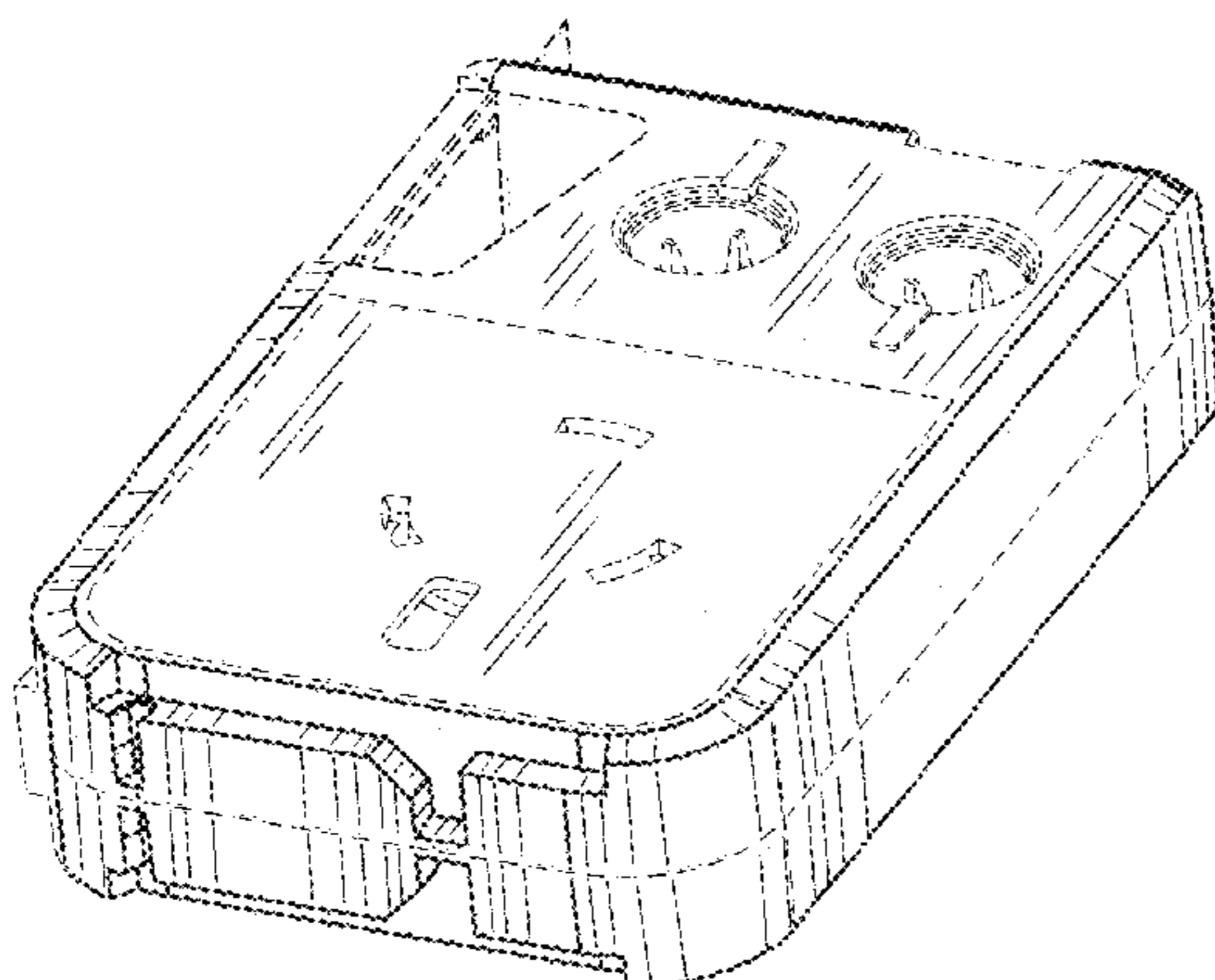
- Apr. 28, 2010 (EM) 001212104
- (51) **LOC (10) Cl.** **18-02**
- (52) **U.S. Cl.**
USPC **D18/56**
- (58) **Field of Classification Search**
USPC D18/12, 40, 43, 56; D14/471, 484
CPC ... B41J 17/32; B41J 31/16; B41J 32/00; B41J 32/02; B41J 33/26; B41J 33/52; B41J 35/26; B41J 2/17513; G11B 23/08735
See application file for complete search history.

References Cited

U.S. PATENT DOCUMENTS

- 4,175,877 A * 11/1979 Randolph B41J 32/02
400/196
- D357,497 S * 4/1995 Gray D18/12

1 Claim, 8 Drawing Sheets



(56)

References Cited

U.S. PATENT DOCUMENTS

8,162,553 B2 *	4/2012	Vandermeulen	B41J 3/4075 400/613
D681,727 S	5/2013	Van Den Broecke	
8,469,615 B2 *	6/2013	Van Britsom	B41J 15/04 400/208
8,681,372 B2 *	3/2014	De Munck	B41J 3/4075 358/1.15
D720,804 S	1/2015	Van Den Broecke	
8,939,665 B2 *	1/2015	Van Britsom	B41J 15/04 400/208

* cited by examiner

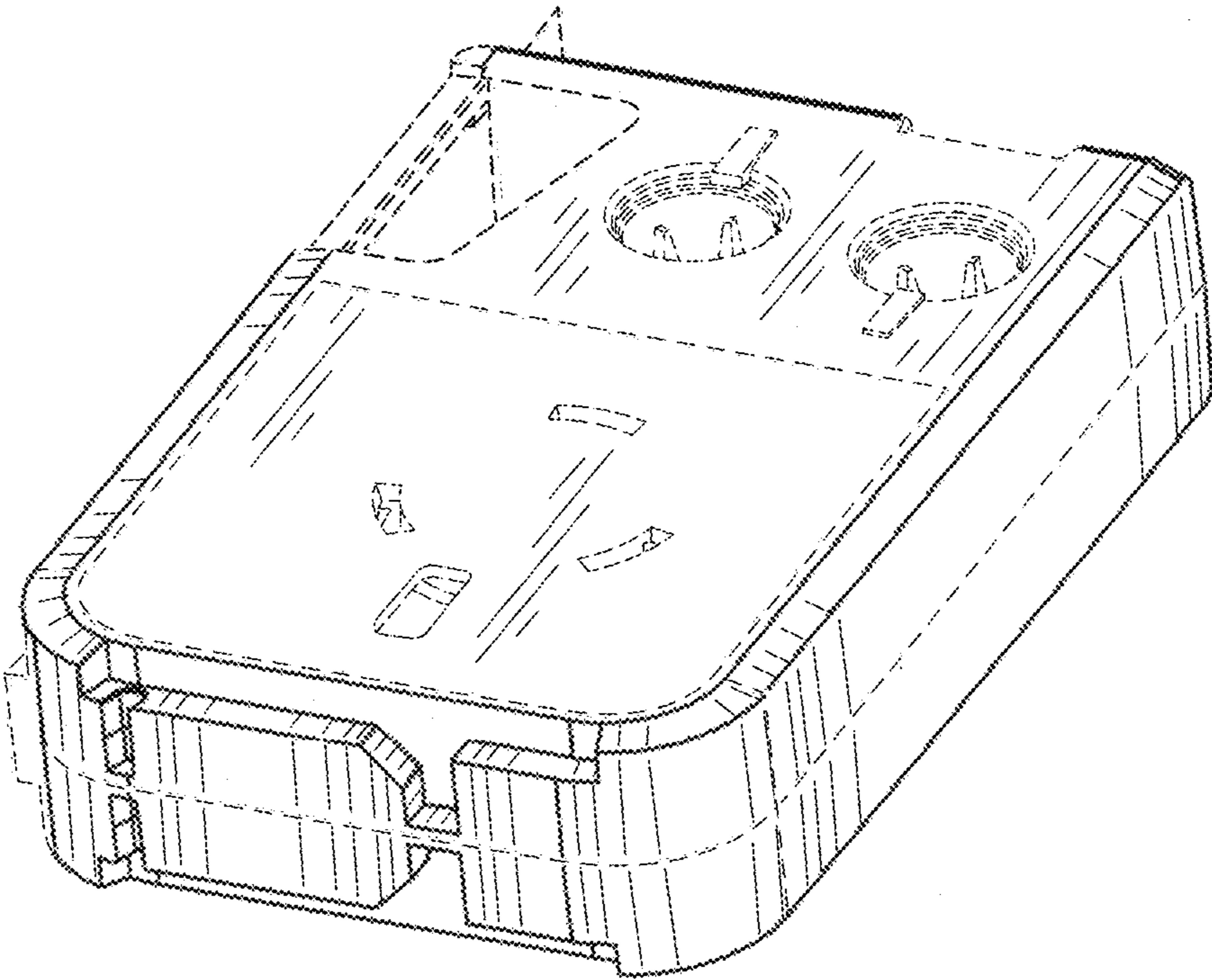


FIG. 1

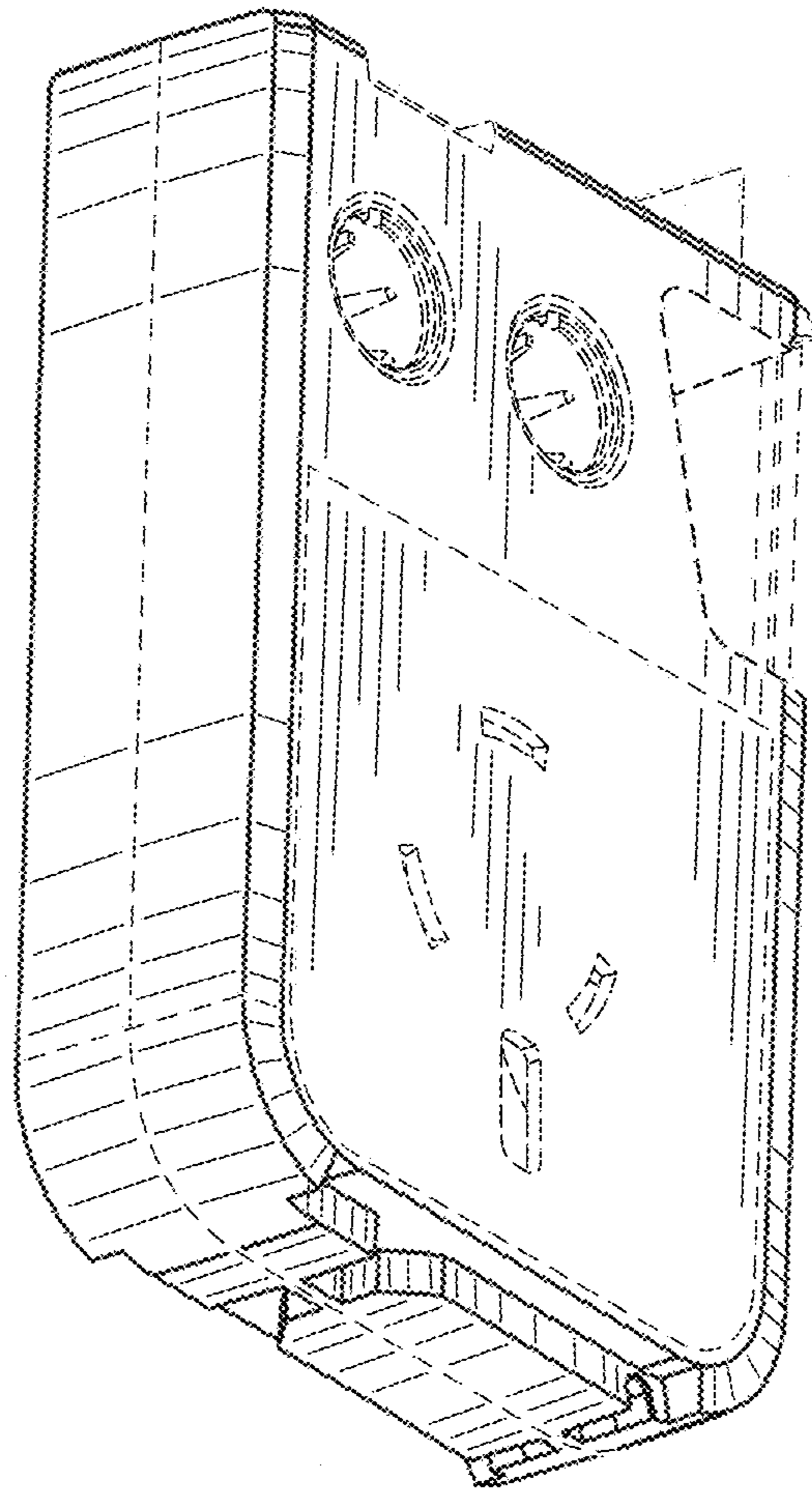


FIG. 2

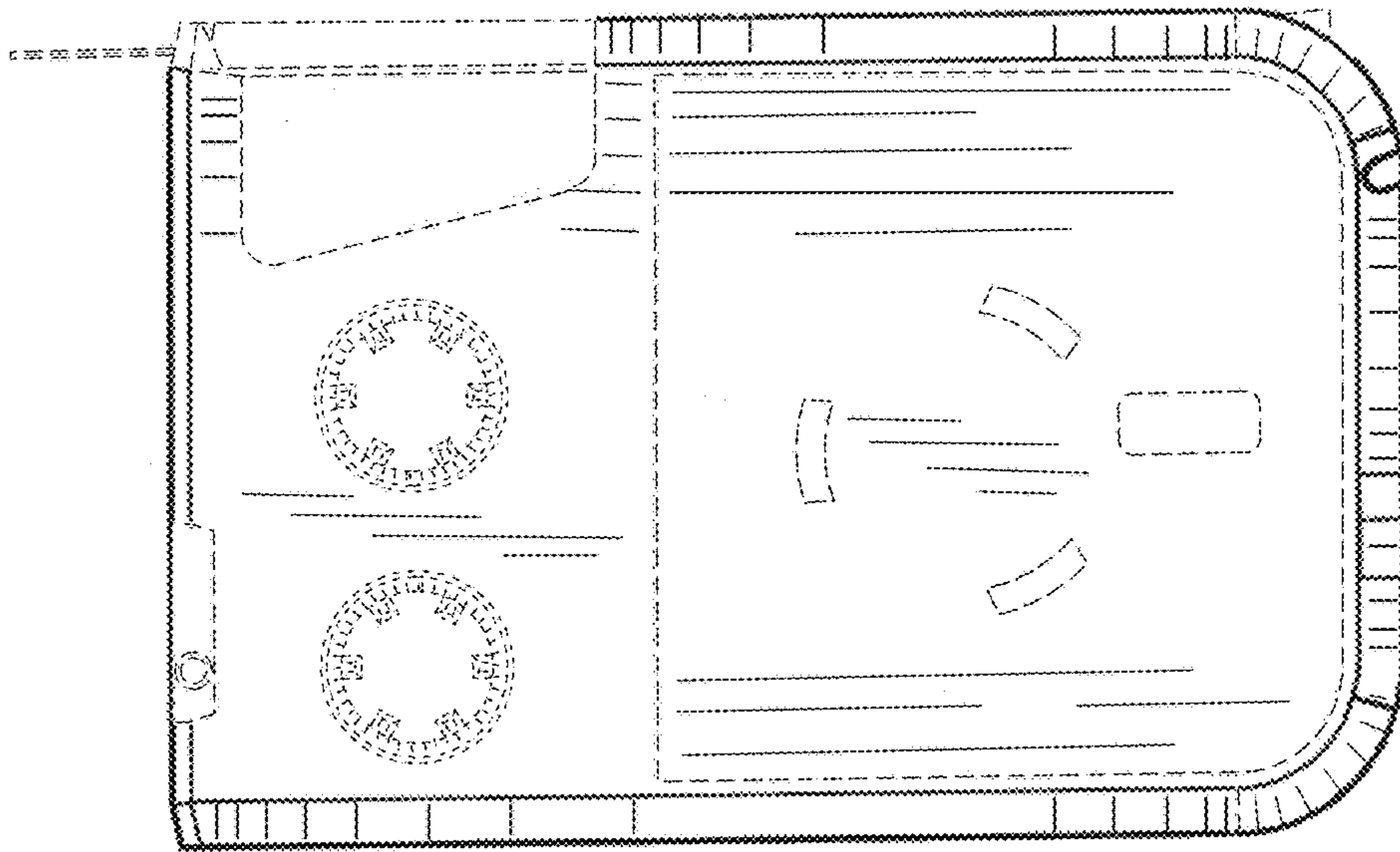


FIG. 4

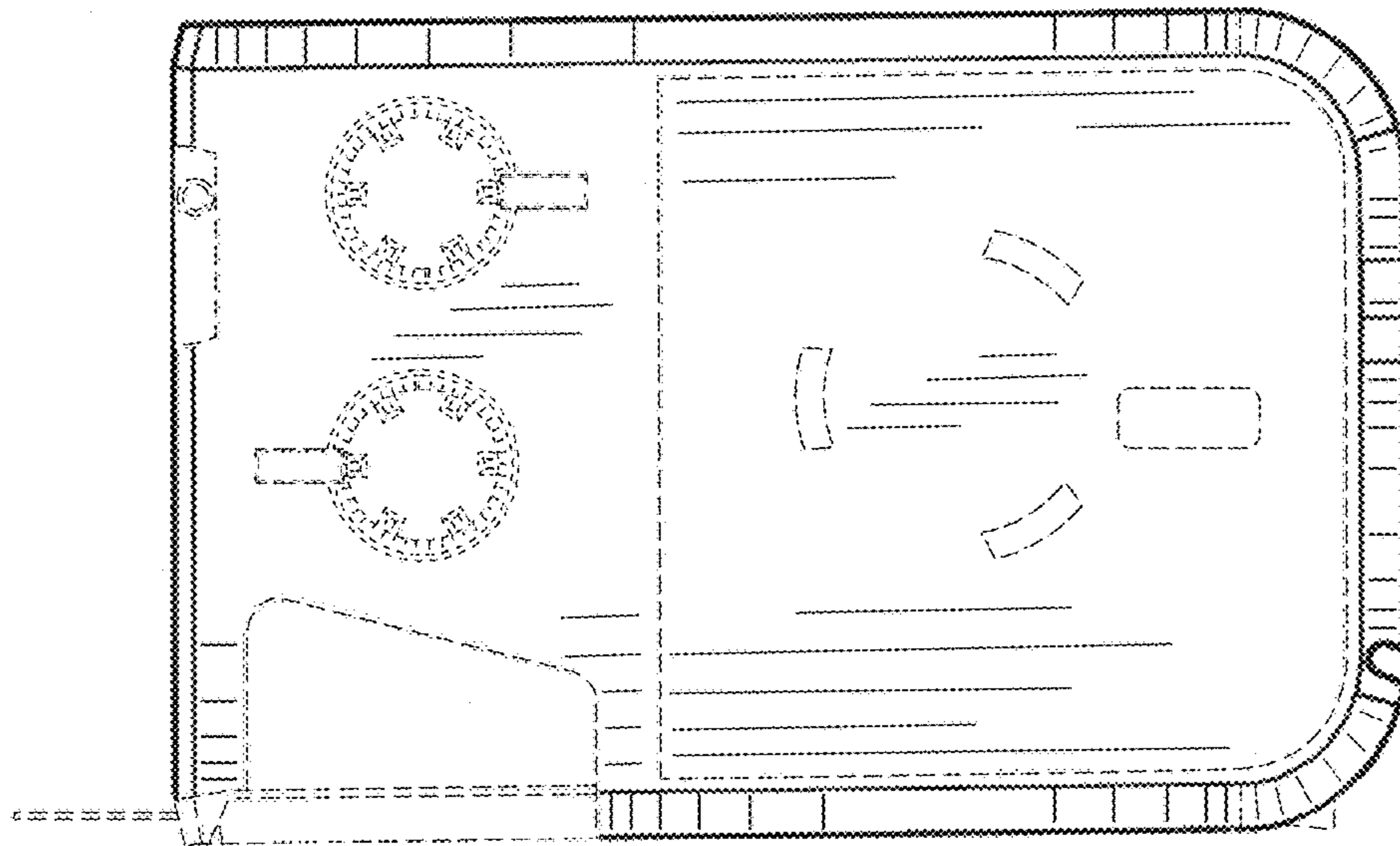


FIG. 3

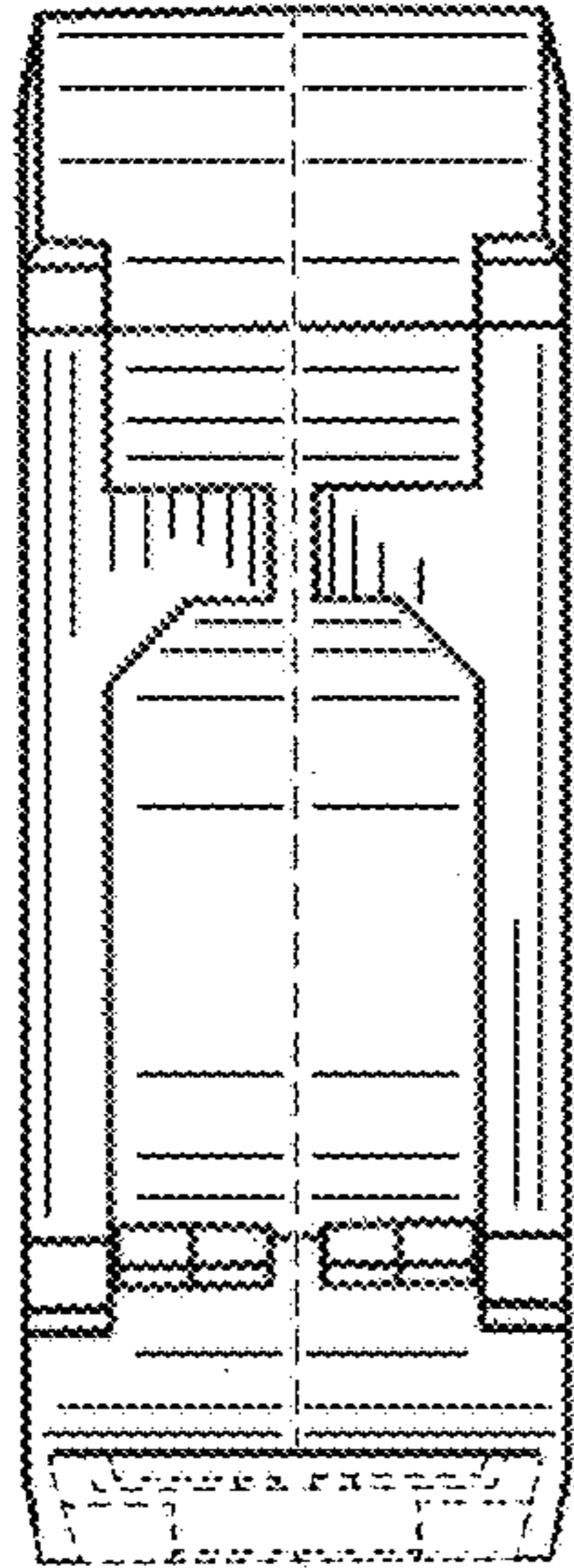


FIG. 6

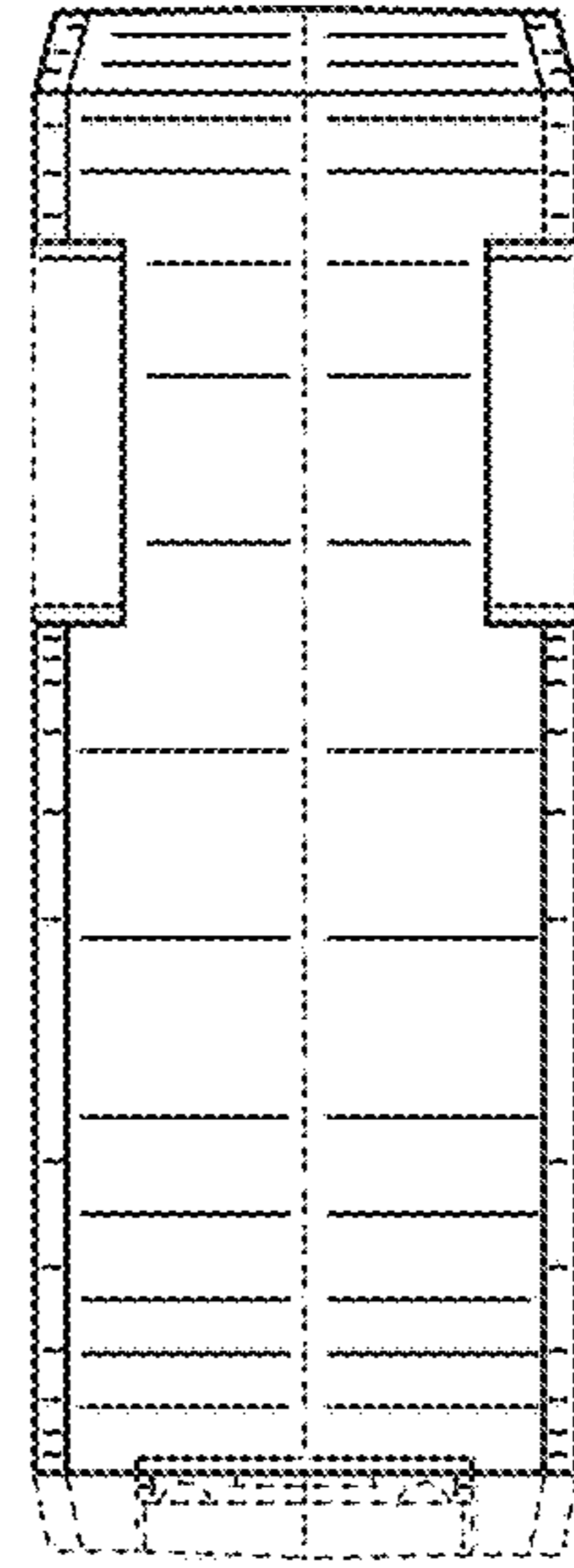


FIG. 7

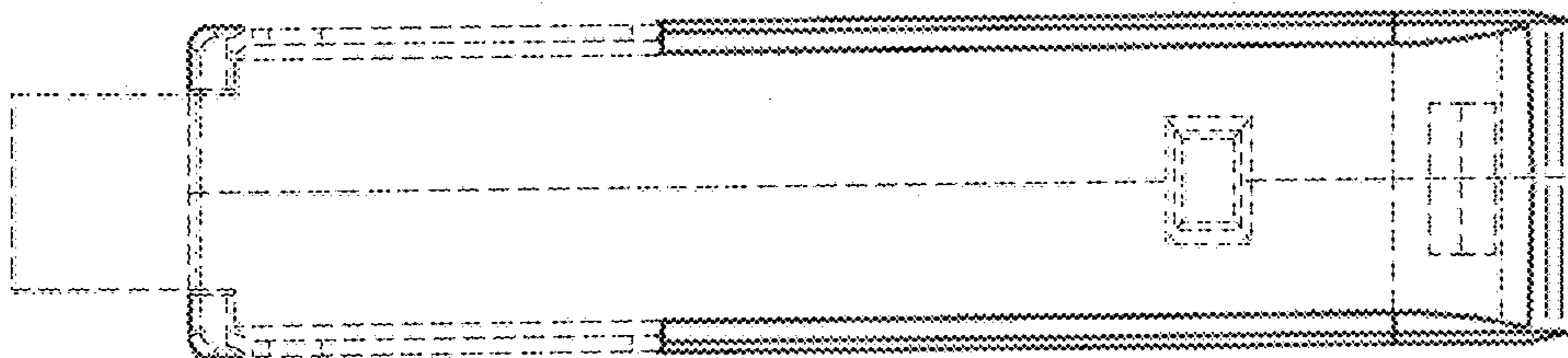


FIG. 5

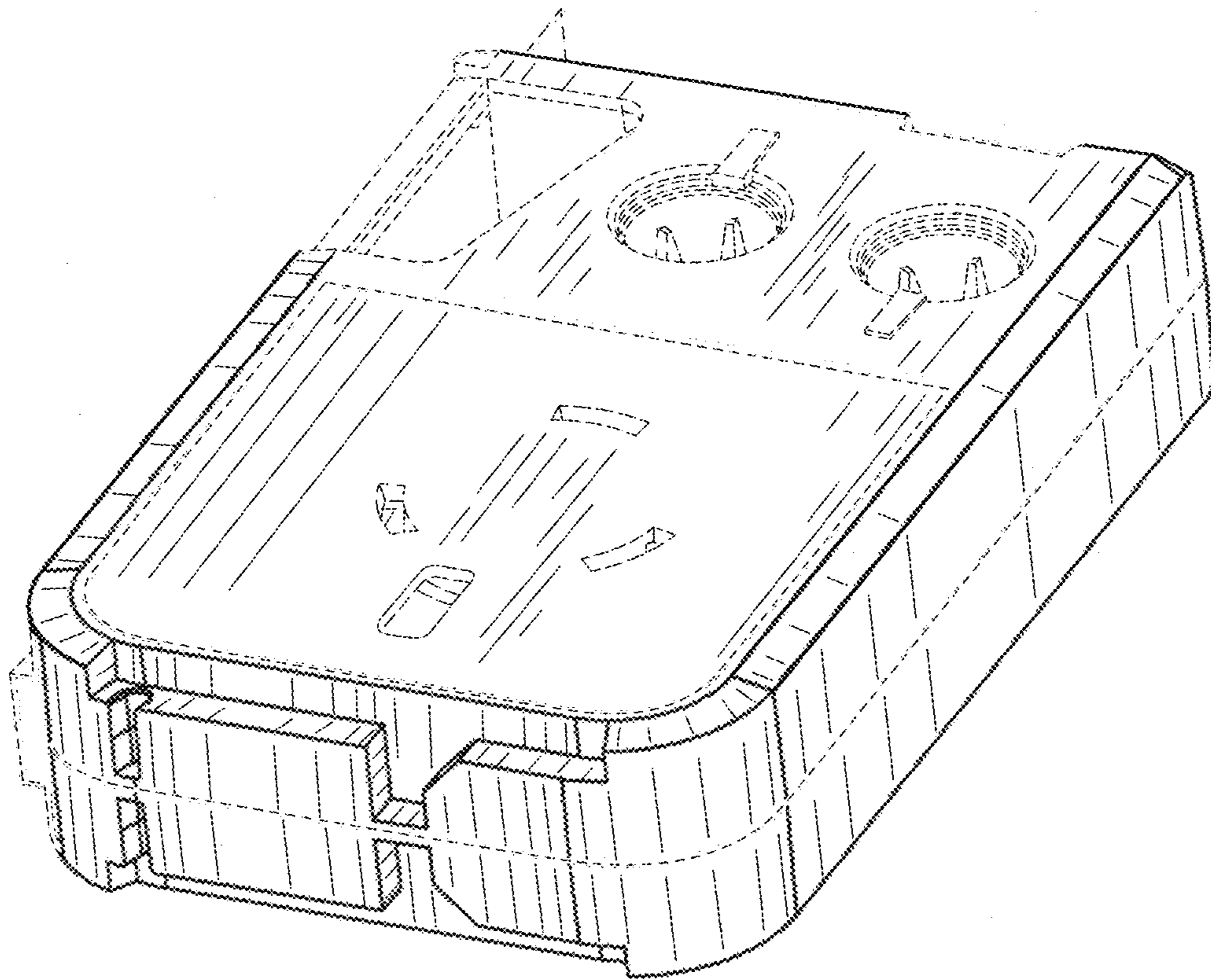


FIG. 8

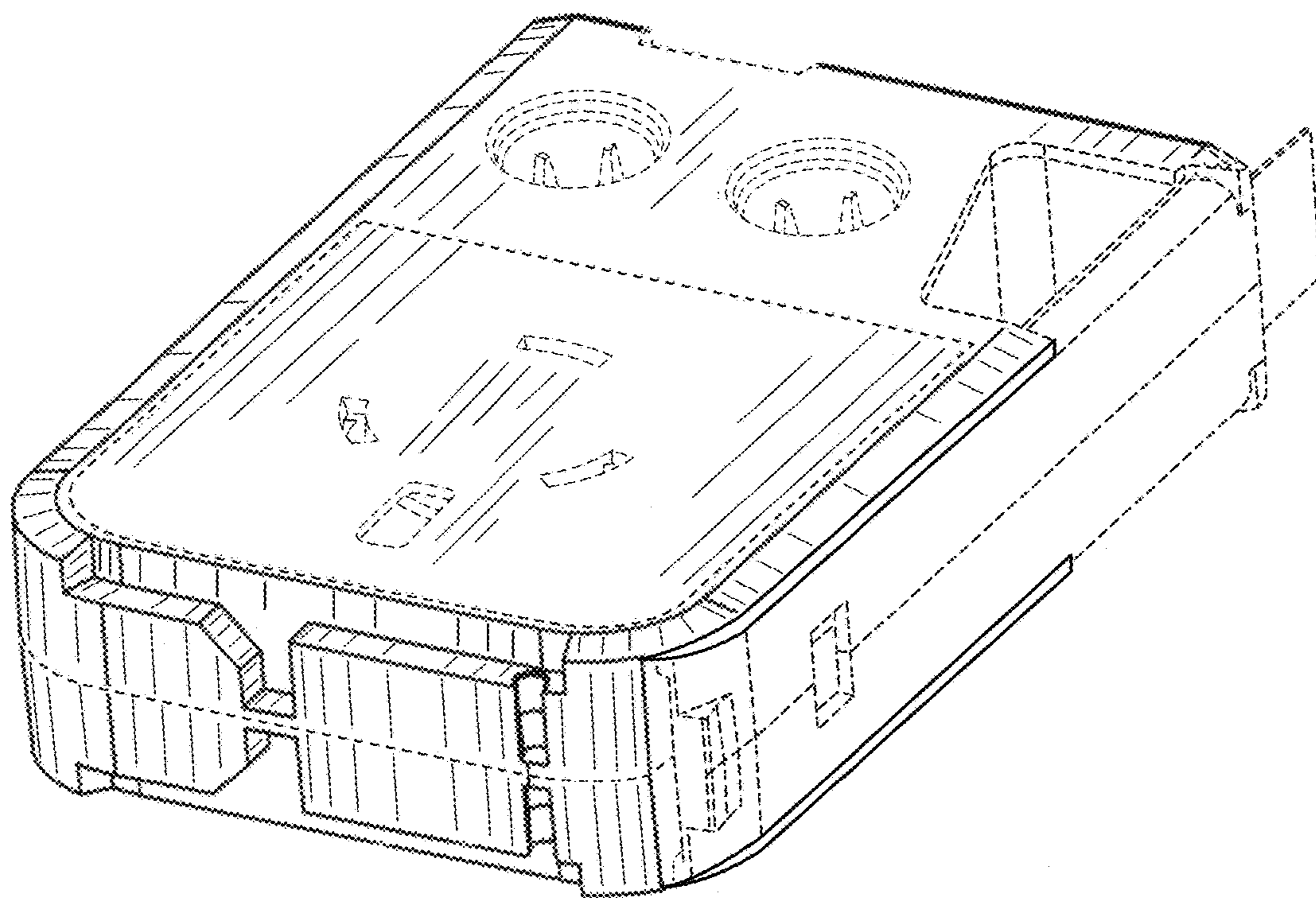


FIG. 9

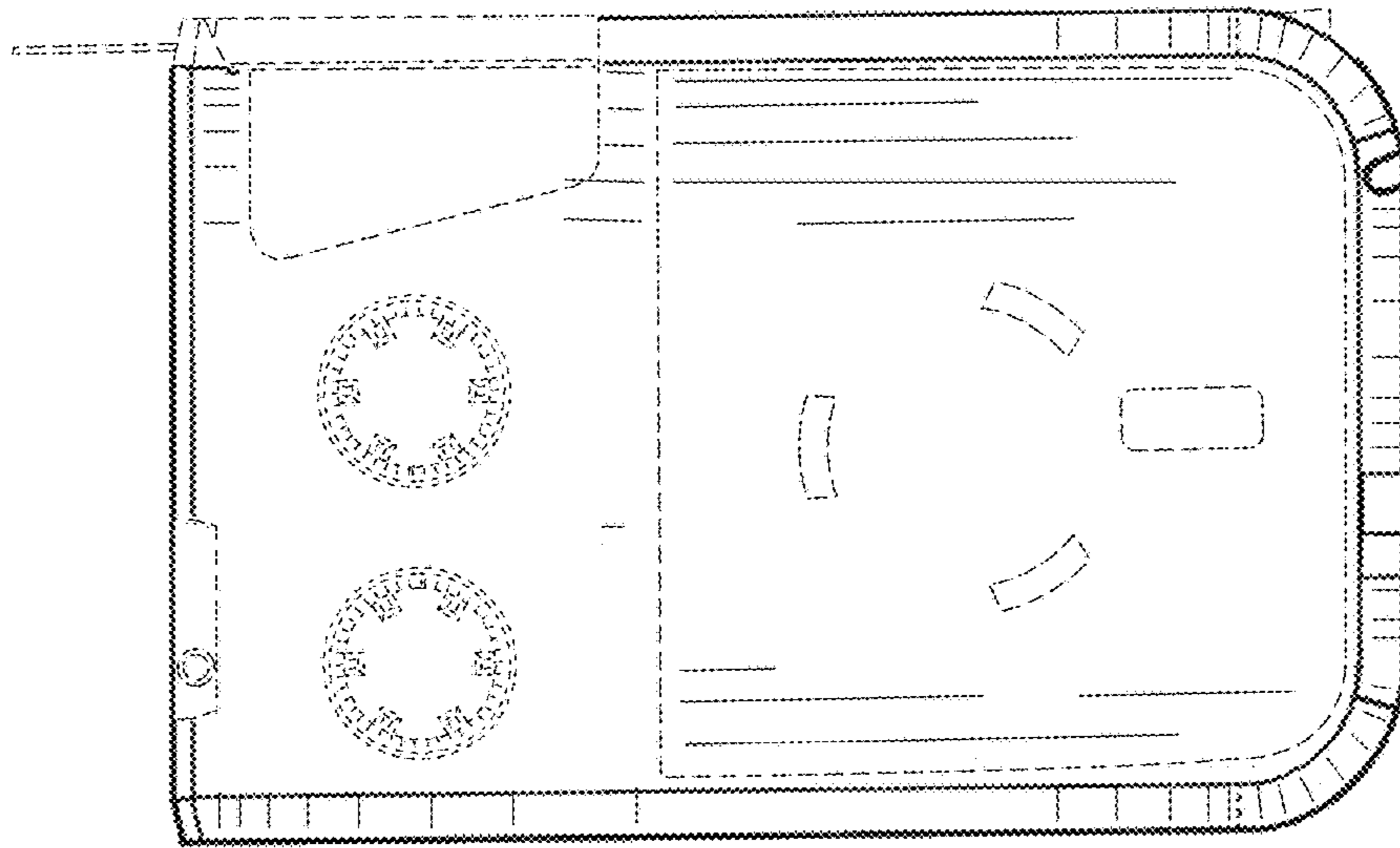


FIG. 11

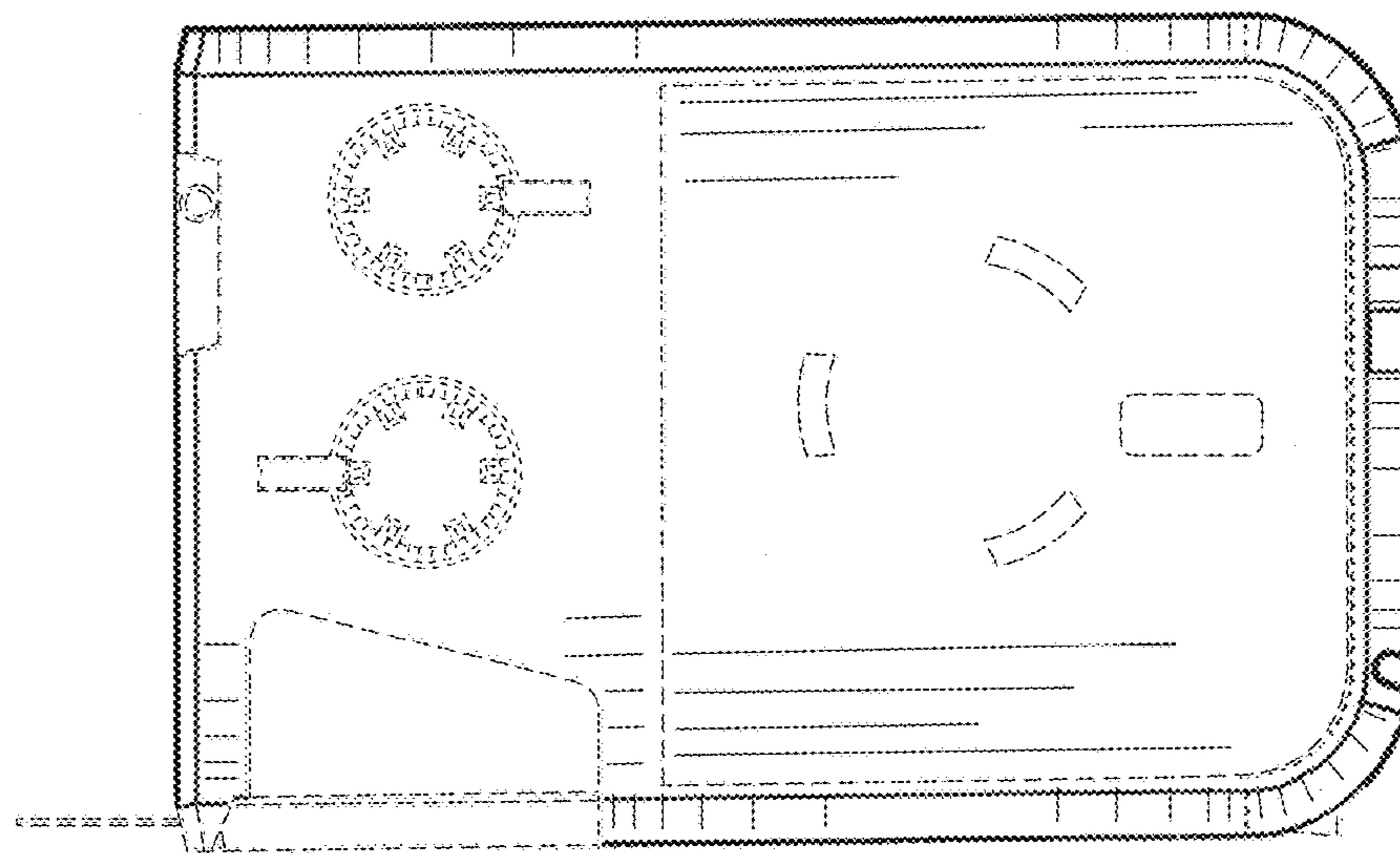


FIG. 10

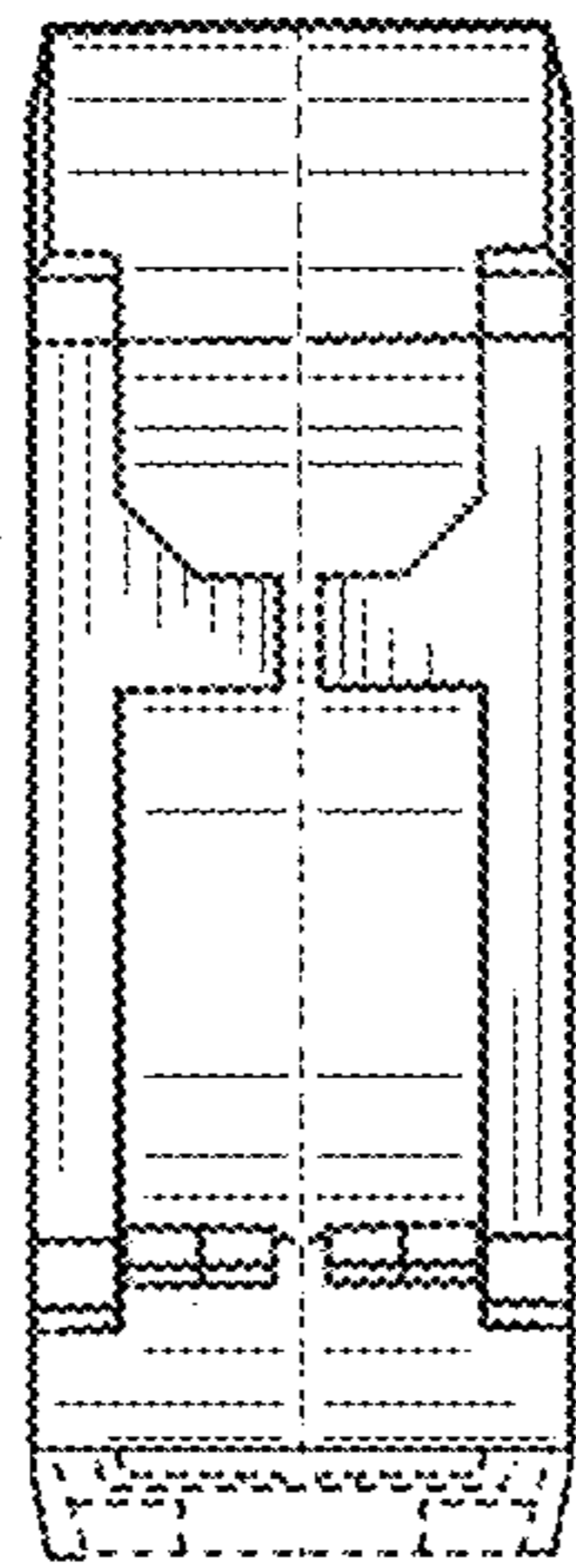


FIG. 13

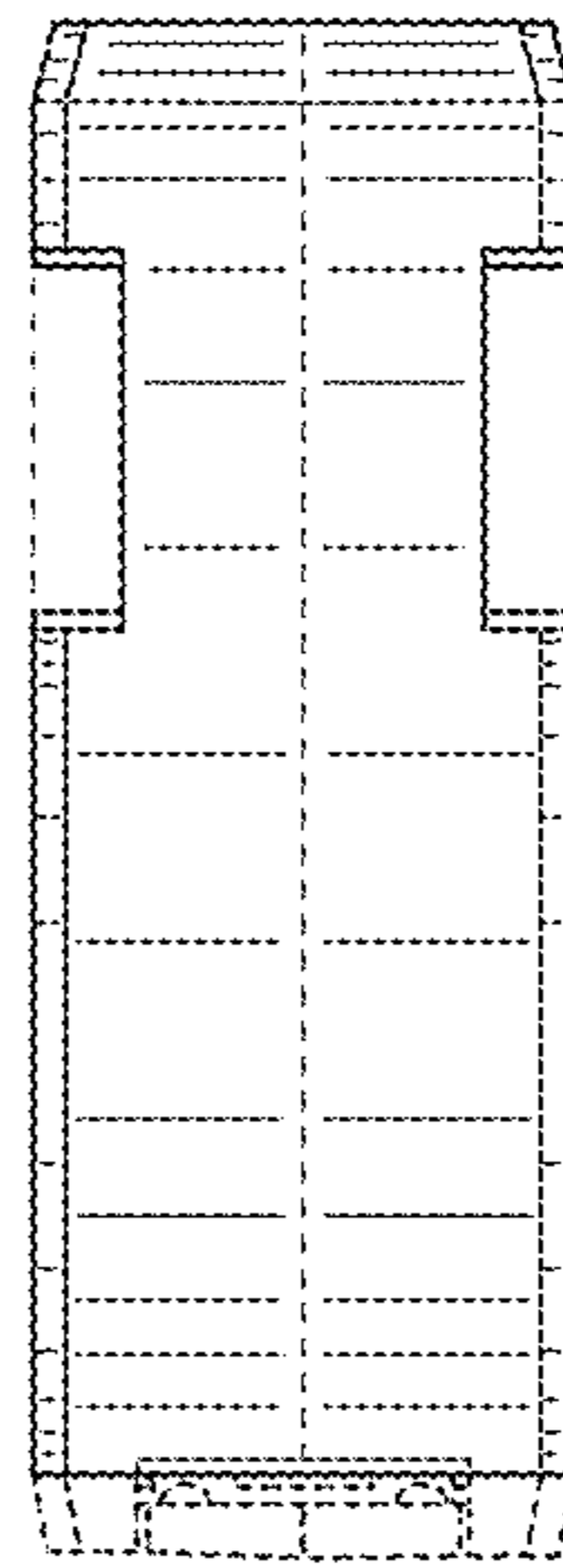


FIG. 14

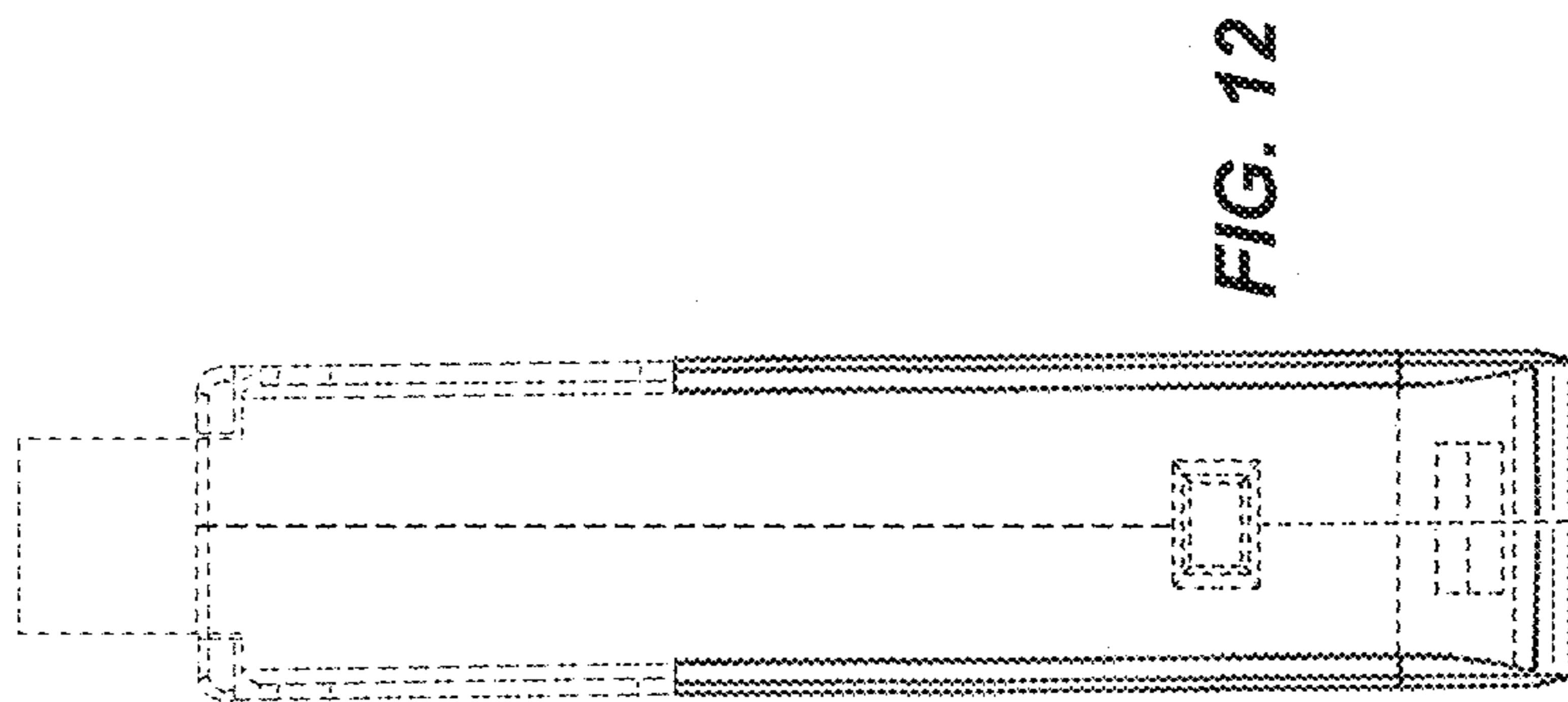


FIG. 12