



US00D787581S

(12) **United States Design Patent** (10) **Patent No.:** **US D787,581 S**
Moller-Lewin et al. (45) **Date of Patent:** **** May 23, 2017**

(54) **MONITORING CAMERA**

(71) Applicant: **AXIS AB**, Lund (SE)

(72) Inventors: **Niclas Moller-Lewin**, Malmo (SE);
Mathias Andersson, Hoganas (SE);
Mariano Vozzi, Malmo (SE); **Andres Vigen**, Hollviken (SE)

(73) Assignee: **AXIS AB**, Lund (SE)

(**) Term: **15 Years**

(21) Appl. No.: **29/544,999**

(22) Filed: **Nov. 9, 2015**

Related U.S. Application Data

(62) Division of application No. 29/461,582, filed on Jul. 25, 2013.

Foreign Application Priority Data

Jan. 25, 2013 (EM) 001358469-01-04

(51) **LOC (10) Cl.** **16-05**

(52) **U.S. Cl.**
USPC **D16/219**; D16/203

(58) **Field of Classification Search**
USPC D16/200, 202-206, 218, 219, 242;
348/143, 148, 151, 373-376; 396/419,
396/427, 535, 539-541
CPC G03B 17/02; G03B 19/04; G03B 17/56;
G03B 17/04; G03B 15/03; H04N 5/2251;
H04N 5/2252; H04N 5/2253; H04N
5/2254; H04N 7/181; H04N 7/183; H04N
7/18; G08B 13/1963; G08B 13/19619;
G08B 13/19632; F16M 11/04; F16M
13/00

See application file for complete search history.

(56) **References Cited**

U.S. PATENT DOCUMENTS

D481,406 S * 10/2003 Alessio D16/203
D481,407 S * 10/2003 Alessio D16/203
D484,159 S * 12/2003 Cheng D16/203
D556,234 S * 11/2007 Pena Angarita D16/203
D582,460 S 12/2008 Yoo et al.

(Continued)

FOREIGN PATENT DOCUMENTS

TW D113621 10/1994

OTHER PUBLICATIONS

* http://www.pistore.com/equipment-cameras-bullet-c-2_207.html
Date prior to Jan. 25, 2013.

(Continued)

Primary Examiner — Philip S Hyder

Assistant Examiner — Ramzi Almatrahi

(74) *Attorney, Agent, or Firm* — Volpe and Koenig, P.C.

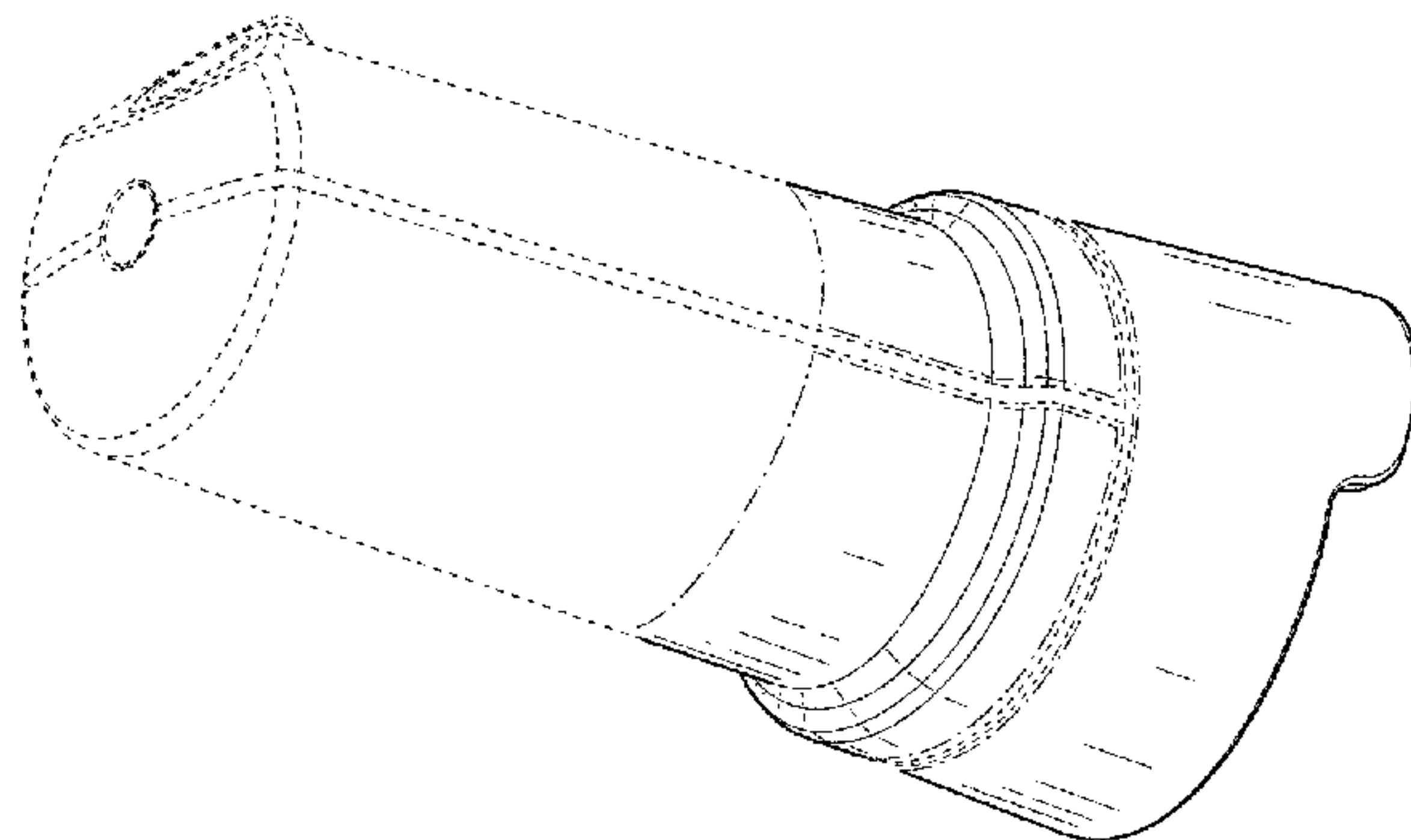
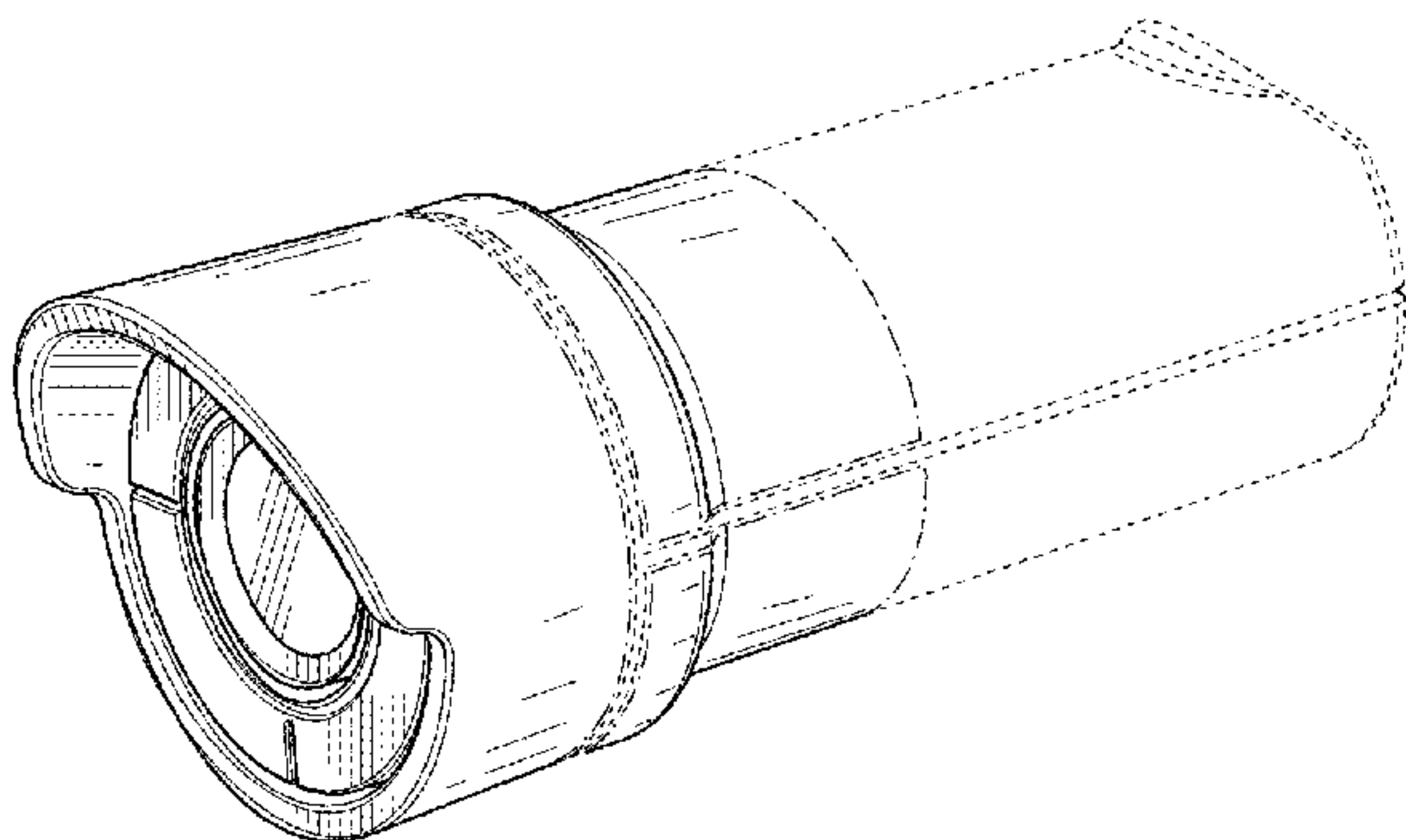
(57) **CLAIM**

The ornamental design for a monitoring camera, as shown and described.

DESCRIPTION

FIG. 1 is a top, front, right perspective view of a monitoring camera showing our new design;
FIG. 2 is a bottom, rear, left perspective view thereof;
FIG. 3 is a top plan view thereof;
FIG. 4 is a front elevational view thereof;
FIG. 5 is a left side elevational view thereof;
The right side elevational view is a mirror image of the left side;
FIG. 6 is a bottom plan view thereof; and,
FIG. 7 is a rear elevational view thereof.
Portions of the article shown with dotted lines form no part of the claimed design.
The dot-dash lines denote the boundary of the claim and form no part of the claimed design.

1 Claim, 4 Drawing Sheets



(56)

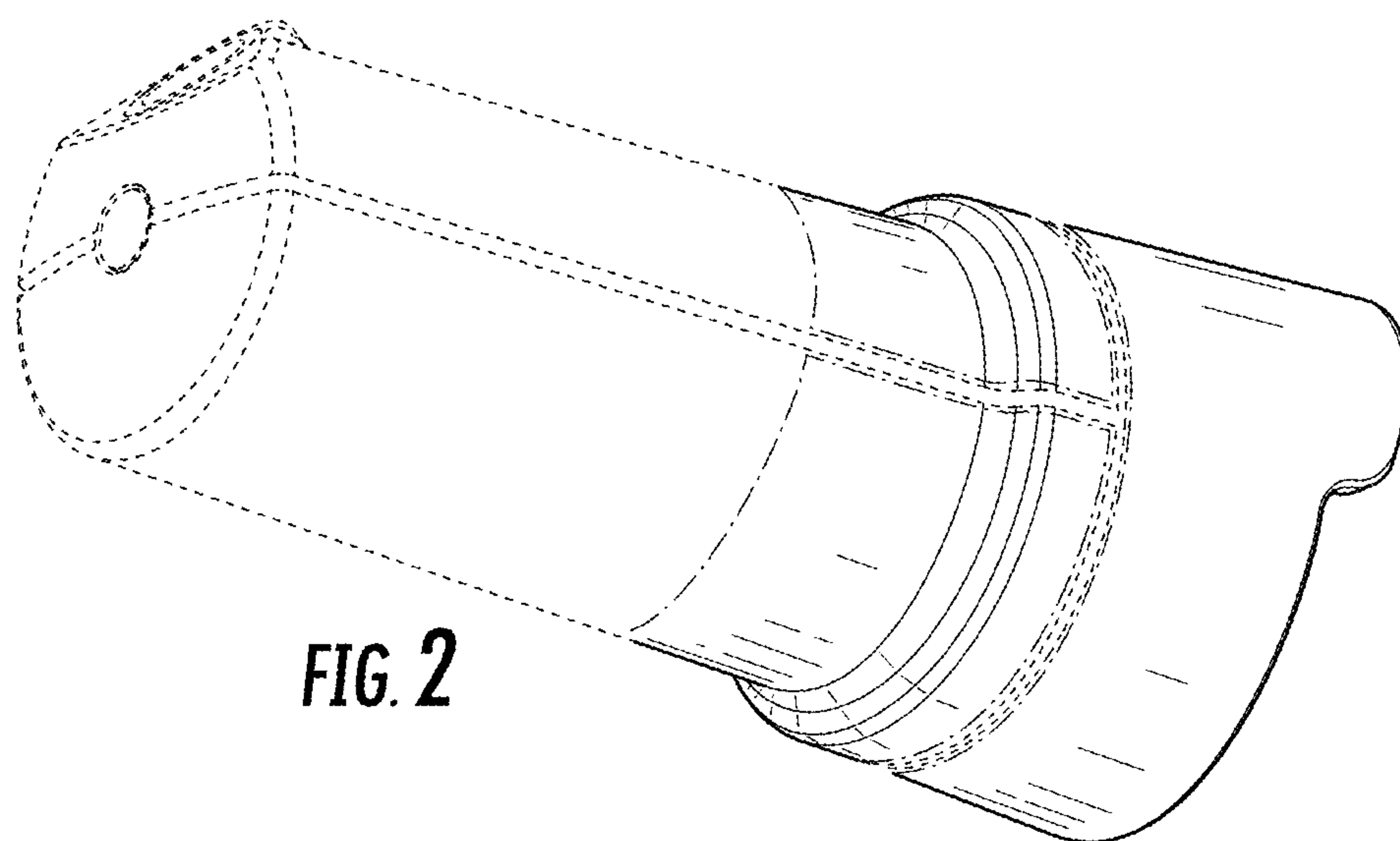
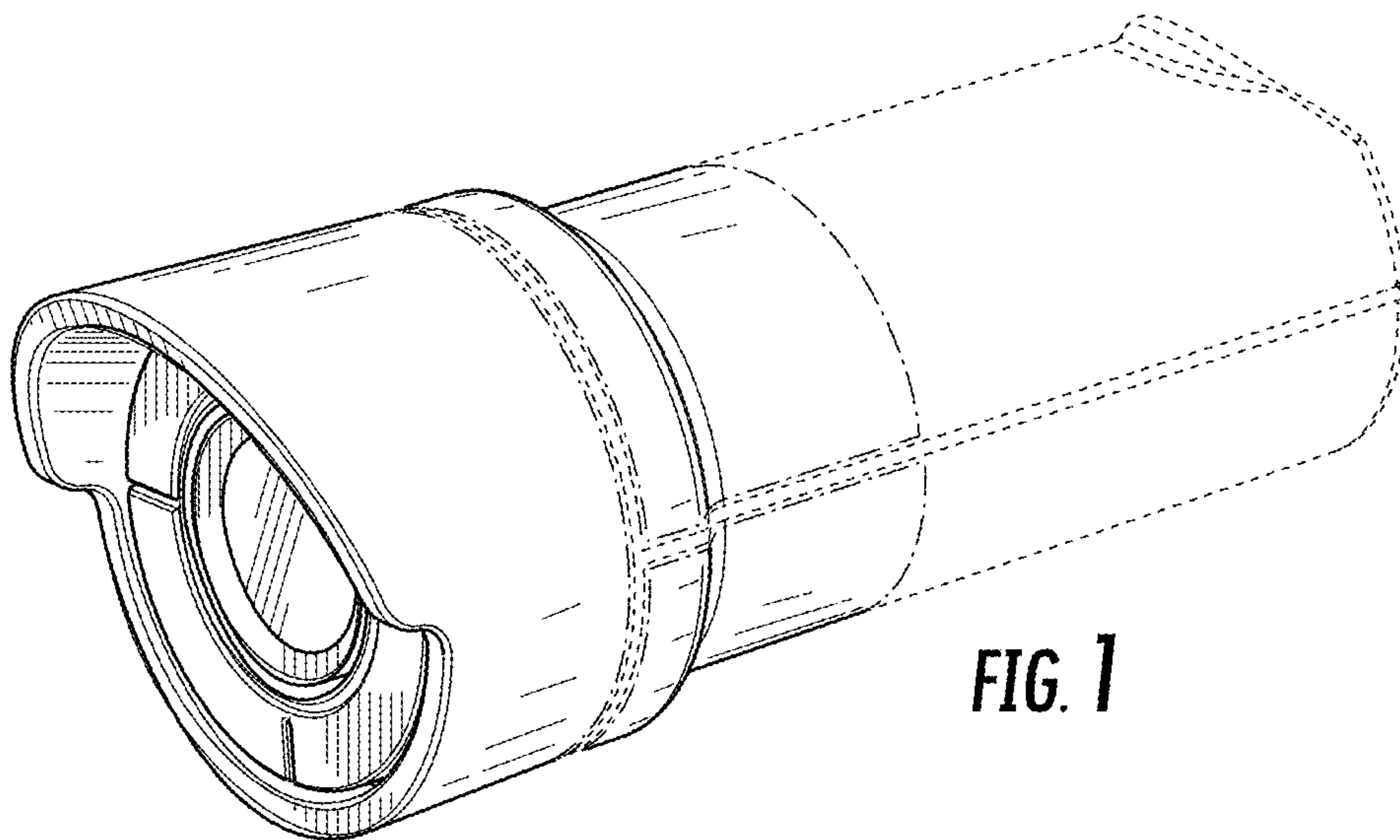
References Cited

U.S. PATENT DOCUMENTS

D589,995 S 4/2009 Kellar et al.
 D589,996 S * 4/2009 Kellar D16/203
 D635,172 S 3/2011 Ko
 D635,173 S 3/2011 Yamakawa
 D661,719 S 6/2012 Katori et al.
 D669,108 S 10/2012 Maeyama
 D691,187 S 10/2013 Seo et al.
 D696,330 S 12/2013 Matsumoto et al.
 D702,274 S 4/2014 Qian et al.
 D721,115 S * 1/2015 Park D16/203
 D721,756 S 1/2015 Hallstrom et al.
 D731,574 S * 6/2015 Hallstrom D16/203
 2006/0077285 A1 * 4/2006 Cheng G03B 17/02
 348/373
 2008/0017021 A1 1/2008 Lacombe et al.
 2008/0170121 A1 * 7/2008 Su G08B 13/19619
 348/143
 2010/0013922 A1 1/2010 Cheng

OTHER PUBLICATIONS

* <http://www.best-b2b.com/Sub-cat/592/593/surveillance-control>
 date prior to Jan. 25, 2013.
 * <http://www.bolideco.com> Date prior to Jan. 25, 2013.
 * <http://bulletcameras.wordpress.com> Date prior to Jan. 25, 2013.
 * <http://www.maxmax.com> Date prior to Jan. 25, 2013.
 * <http://procompvideo.com> Date prior to Jan. 25, 2013.
 * <http://dcrsecurity.com> Date prior to Jan. 25, 2013.
 * <http://salestores.com> Date prior to Jan. 25, 2013.
 * <http://www.bhphotovideo.com> Date prior to Jan. 25, 2013.
 * <http://www.diytrade.com> Date prior to Jan. 25, 2013.
 * <http://www.asia.ru> Date prior to Jan. 25, 2013.
 * <http://www.clintonelectronics.com> Date prior to Jan. 25, 2013.
 * <http://www.cctv-security-camera-systems.com> Date prior to Jan.
 25, 2013.
 * <http://www.dtsdigitalcctv.co.uk> Date prior to Jan. 25, 2013.
 * <http://www.gatetec.se> Date prior to Jan. 25, 2013.
 * <http://eyewitnesssystems.com> Date prior to Jan. 25, 2013.
 * <http://www.footprintsecurity.com.au> Date prior to Jan. 25, 2013.
 * cited by examiner



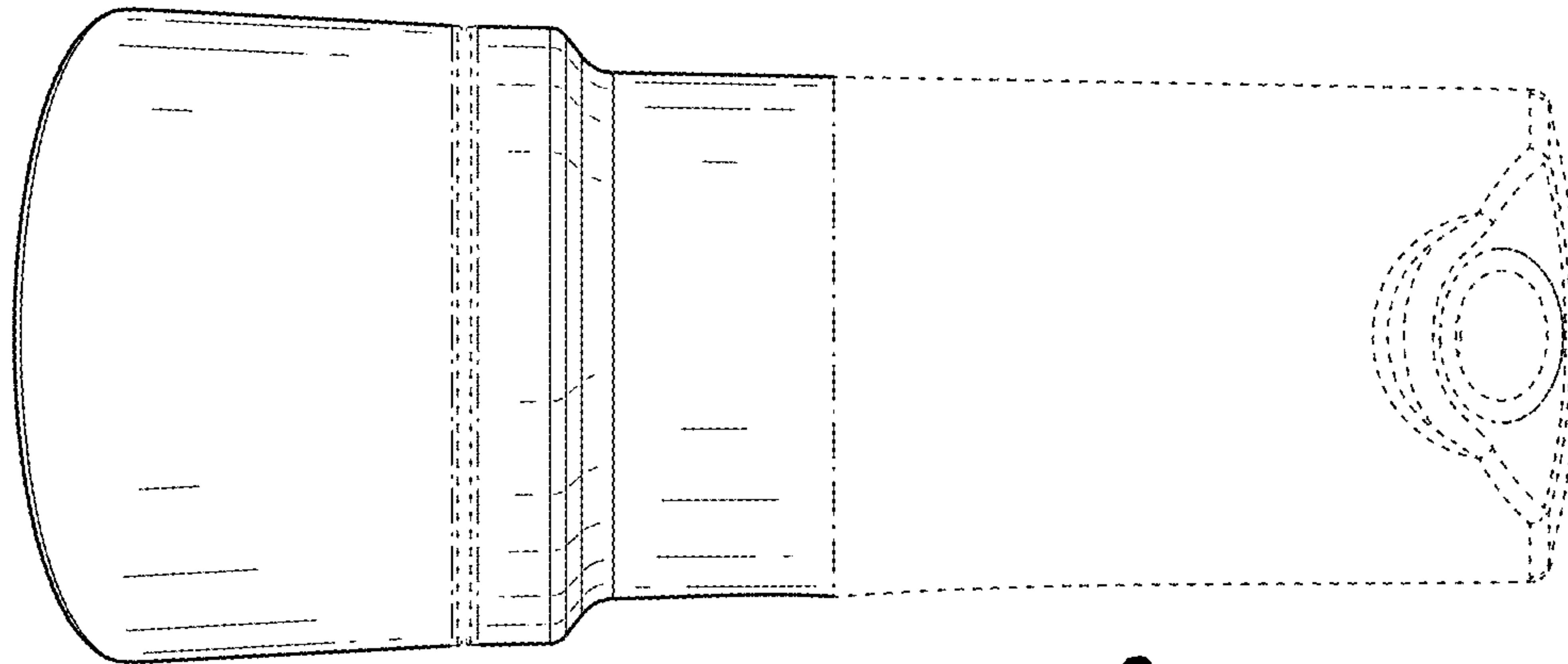


FIG. 3

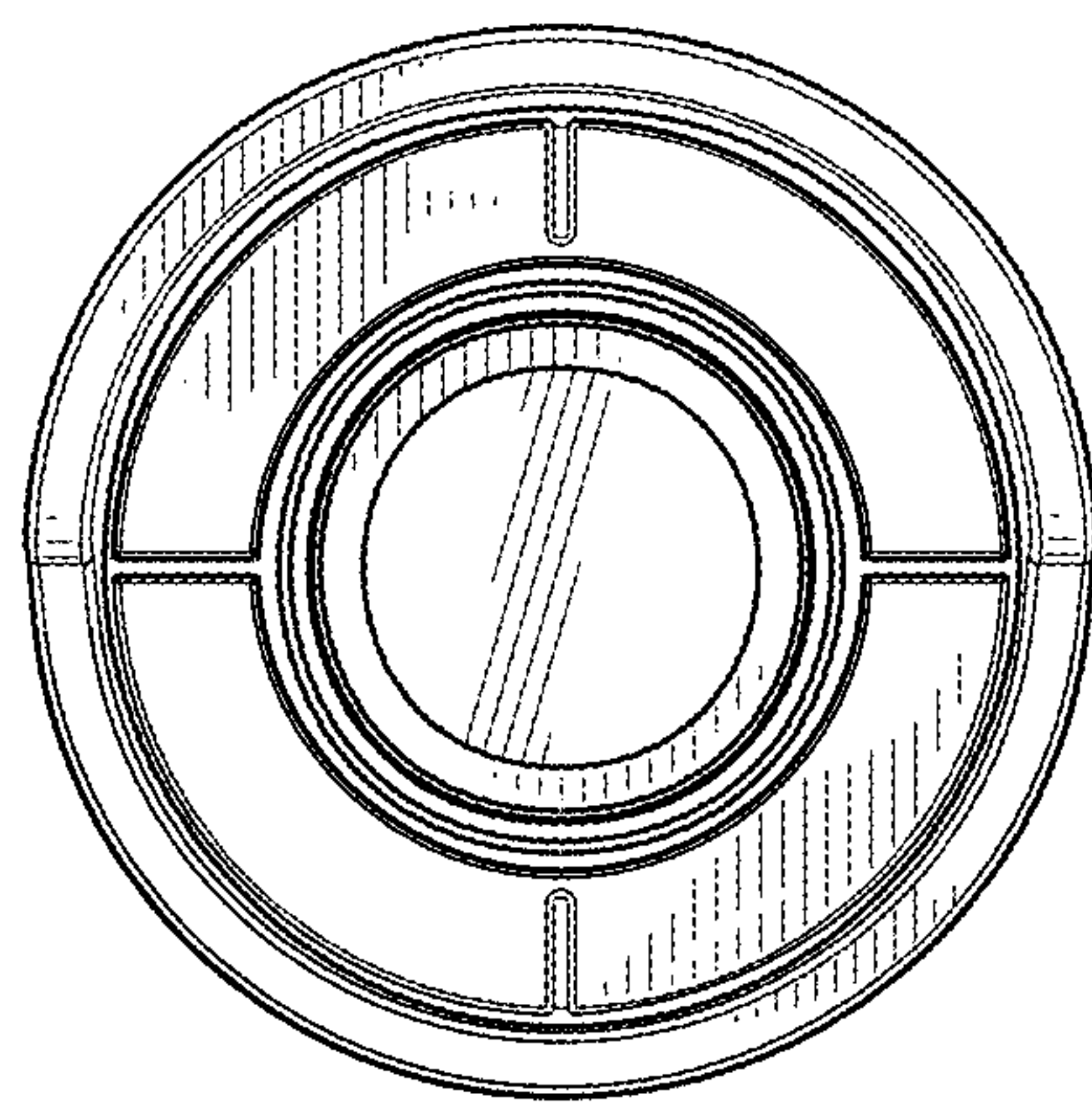


FIG. 4

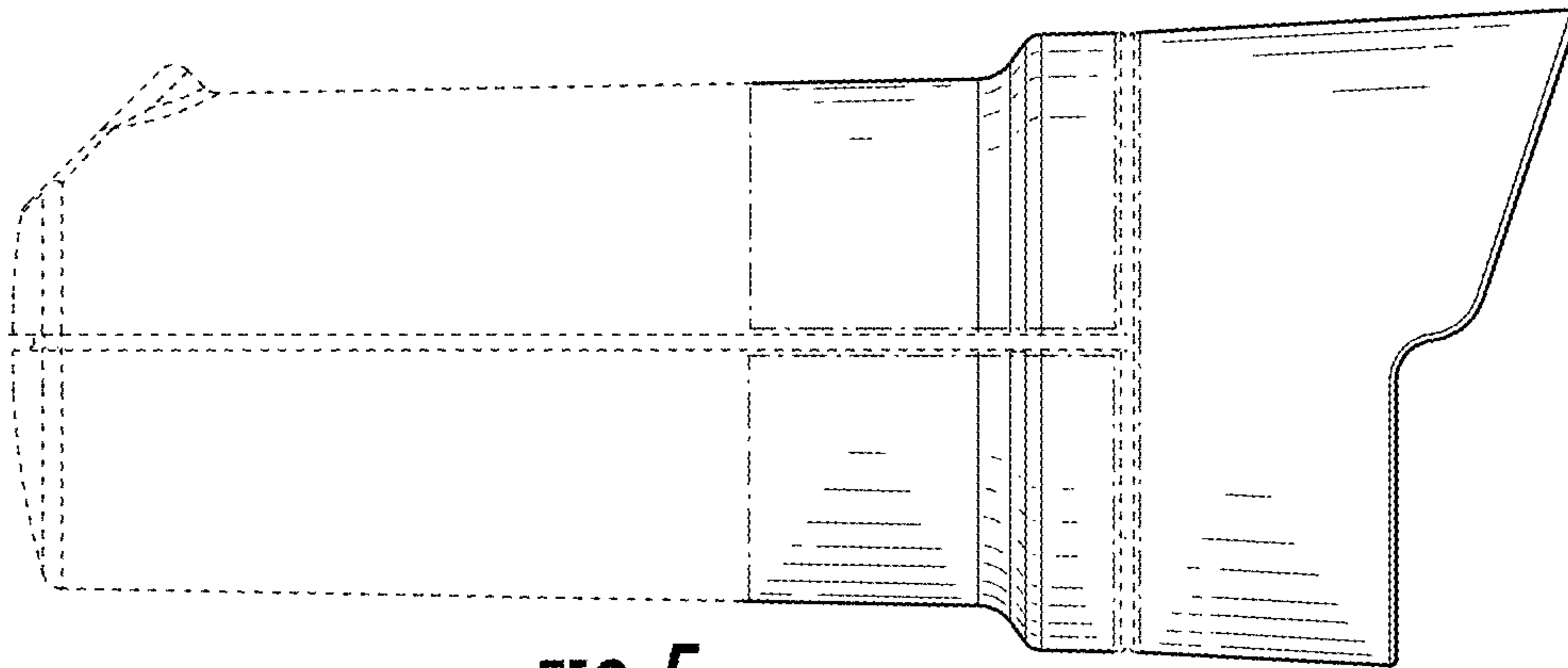


FIG. 5

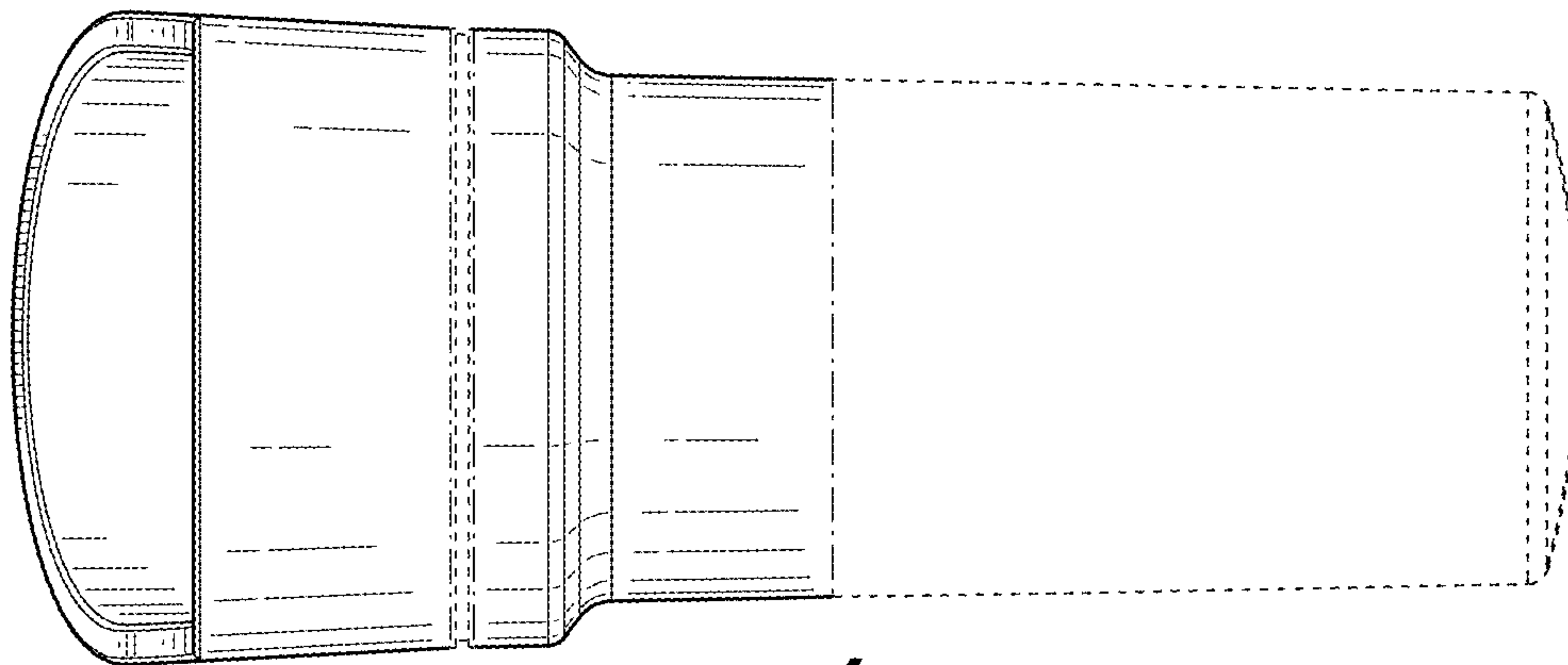


FIG. 6

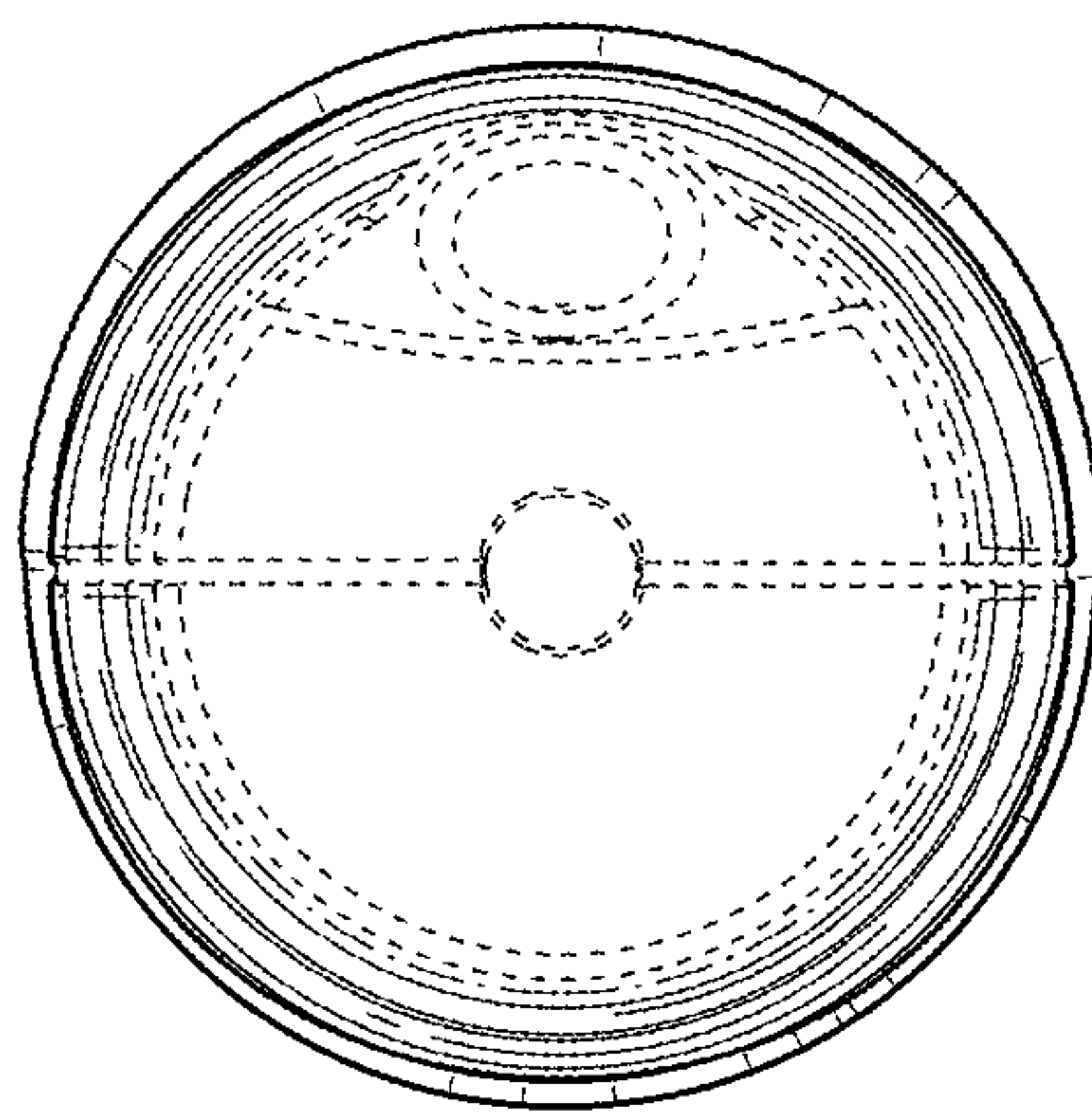


FIG. 7