



US00D787580S

(12) **United States Design Patent** (10) **Patent No.:** **US D787,580 S**
van Hoff et al. (45) **Date of Patent:** **** May 23, 2017**

(54) **CAMERA MODULE**
(71) Applicant: **Jaunt Inc.**, Palo Alto, CA (US)
(72) Inventors: **Arthur van Hoff**, Palo Alto, CA (US);
Thomas M. Annau, Palo Alto, CA (US); **Jens Christensen**, Palo Alto, CA (US); **Koji Gardiner**, Palo Alto, CA (US); **Punit Govenji**, Palo Alto, CA (US); **James Dunn**, Palo Alto, CA (US)
(**) Term: **15 Years**
(21) Appl. No.: **29/539,429**
(22) Filed: **Sep. 14, 2015**
(51) **LOC (10) Cl.** **16-05**
(52) **U.S. Cl.**
USPC **D16/219**
(58) **Field of Classification Search**
USPC D16/200, 210, 211, 218, 219, 202–206,
D16/208, 217; D9/414, 418, 427, 430,
D9/432; D6/517, 524, 527, 528, 531,
D6/535, 559; D14/174, 194, 204, 221;
348/148, 372–376; 396/529, 535,
396/539–541
CPC G03B 15/03; G03B 17/02; G03B 17/04;
G03B 17/56; G03B 19/04; G03B 1/00;
G03B 7/00; G03B 13/02; G03B 13/04;
G03B 13/1963; H04N 5/2251; H04N
5/2252; H04N 5/2253; H04N 5/2254
See application file for complete search history.

D550,265 S * 9/2007 Goto D16/202
D669,351 S * 10/2012 Au D9/418
D669,678 S * 10/2012 Legreca D3/205
D696,707 S * 12/2013 Guastadini D16/202
D720,789 S * 1/2015 Minamide D16/203
2002/0130963 A1* 9/2002 Gelbard H04N 5/2254
348/360
2005/0099521 A1* 5/2005 Bleau H04N 5/2252
348/340
2013/0128104 A1* 5/2013 Nunnink G03B 15/05
348/373
2013/0182179 A1* 7/2013 Page H04N 5/2253
348/373
2014/0153916 A1* 6/2014 Kintner G03B 17/561
396/419
2014/0160274 A1* 6/2014 Ishida G01S 19/14
348/113
2015/0049243 A1* 2/2015 Samuels G03B 17/568
348/374

* cited by examiner

Primary Examiner — Robin V Webster
Assistant Examiner — Rachel Voorhies
(74) *Attorney, Agent, or Firm* — Burbage Law, P.C.;
Jon-Michael Burbage

(57) **CLAIM**

The ornamental design for the camera module, as shown.

DESCRIPTION

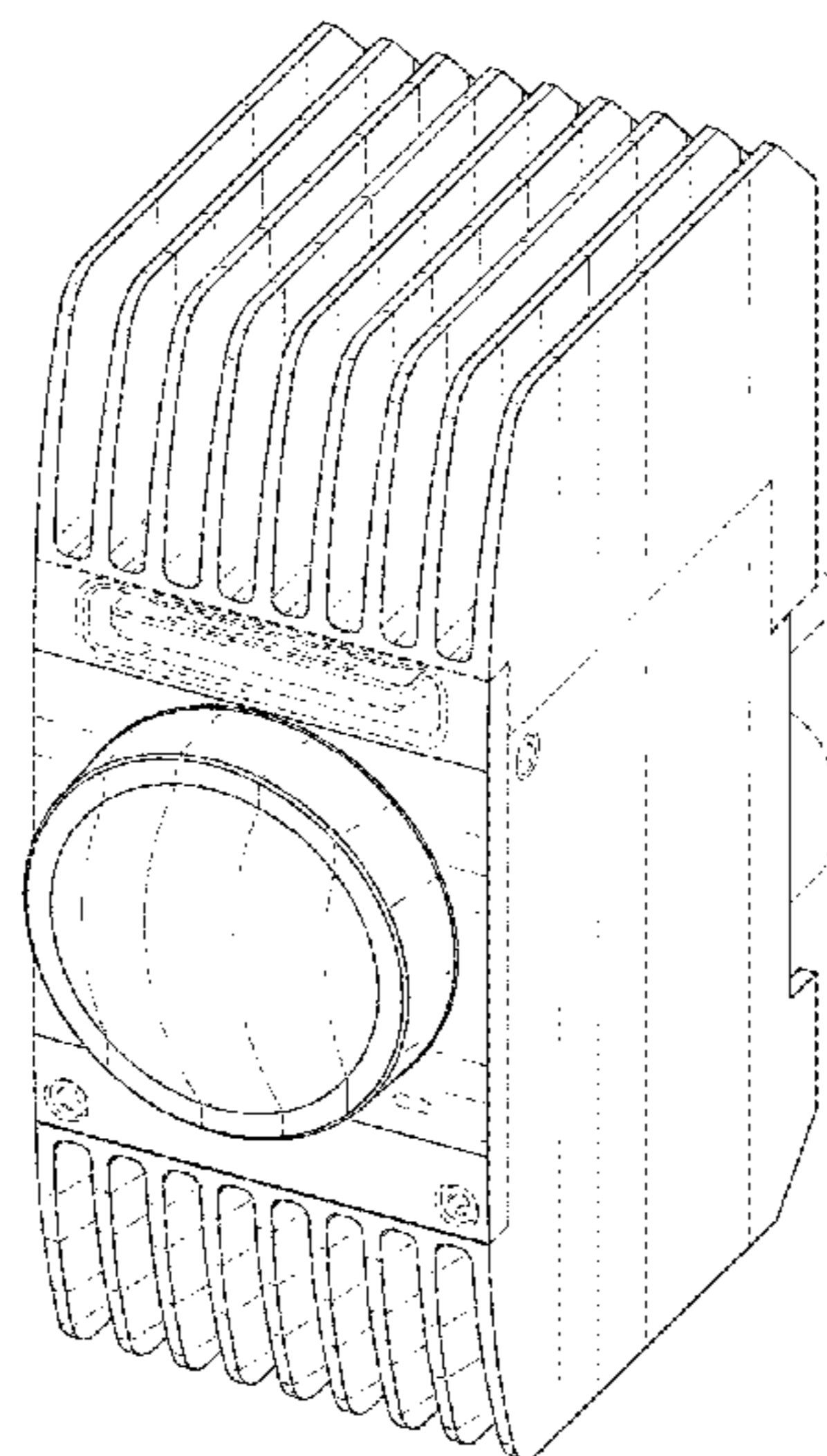
FIG. 1 is a front perspective view of the camera module;
FIG. 2 is back perspective view thereof;
FIG. 3 is a front view thereof;
FIG. 4 is a back view thereof;
FIG. 5 is a right side view thereof;
FIG. 6 is a left side view thereof;
FIG. 7 is a bottom view thereof; and,
FIG. 8 is a top view thereof.

The broken lines in the drawings illustrate portions of the camera module which form no part of the claimed design.

1 Claim, 7 Drawing Sheets

(56) **References Cited**
U.S. PATENT DOCUMENTS

D100,131 S * 6/1936 Stevens D14/194
D113,004 S * 1/1939 Karstadt 312/7.1
D185,468 S * 6/1959 Smith D16/205
D441,386 S * 5/2001 Yamazaki D16/203
D501,015 S * 1/2005 Hamilton D16/202
D515,121 S * 2/2006 Bleau D16/202



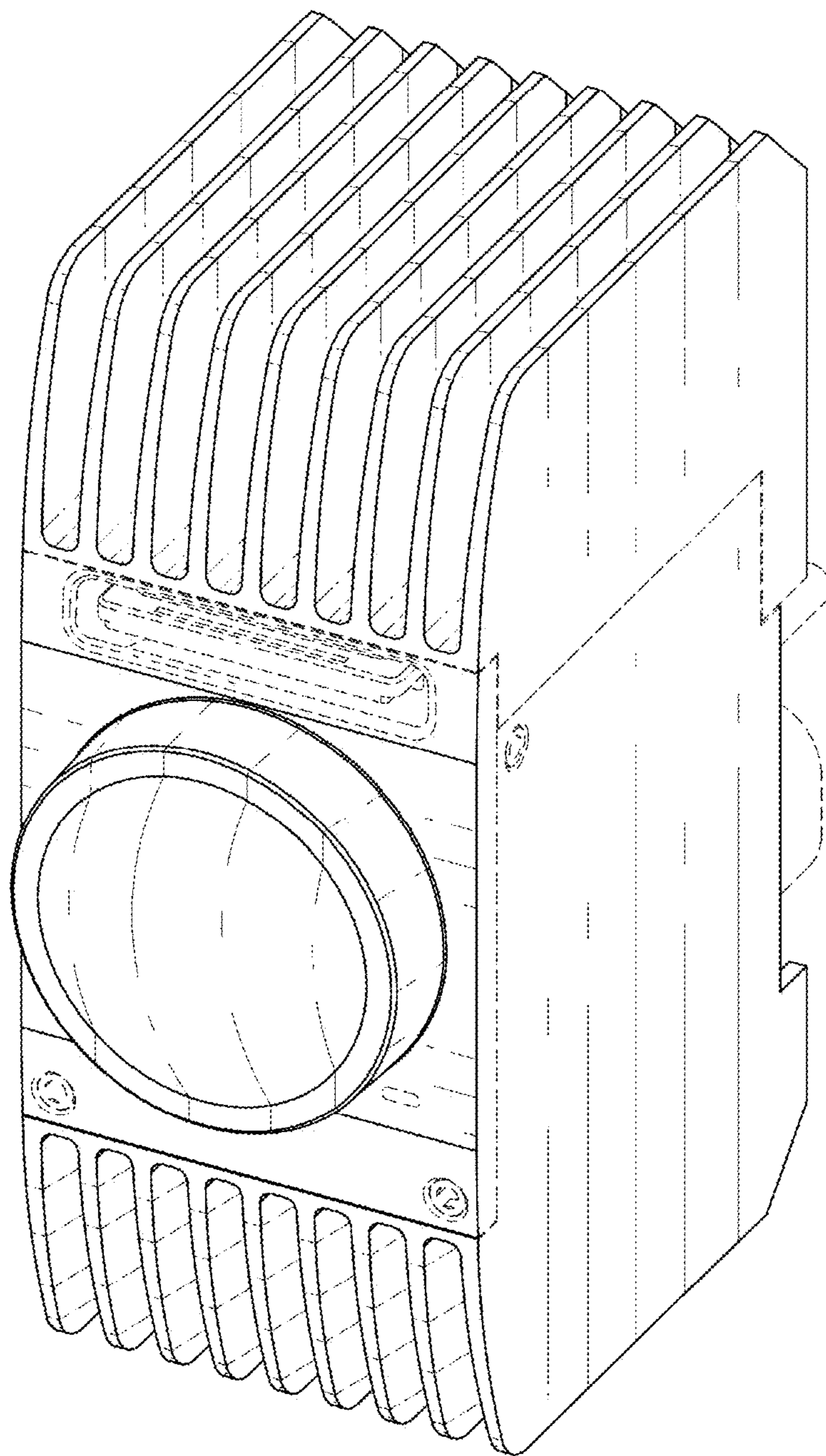


FIG. 1

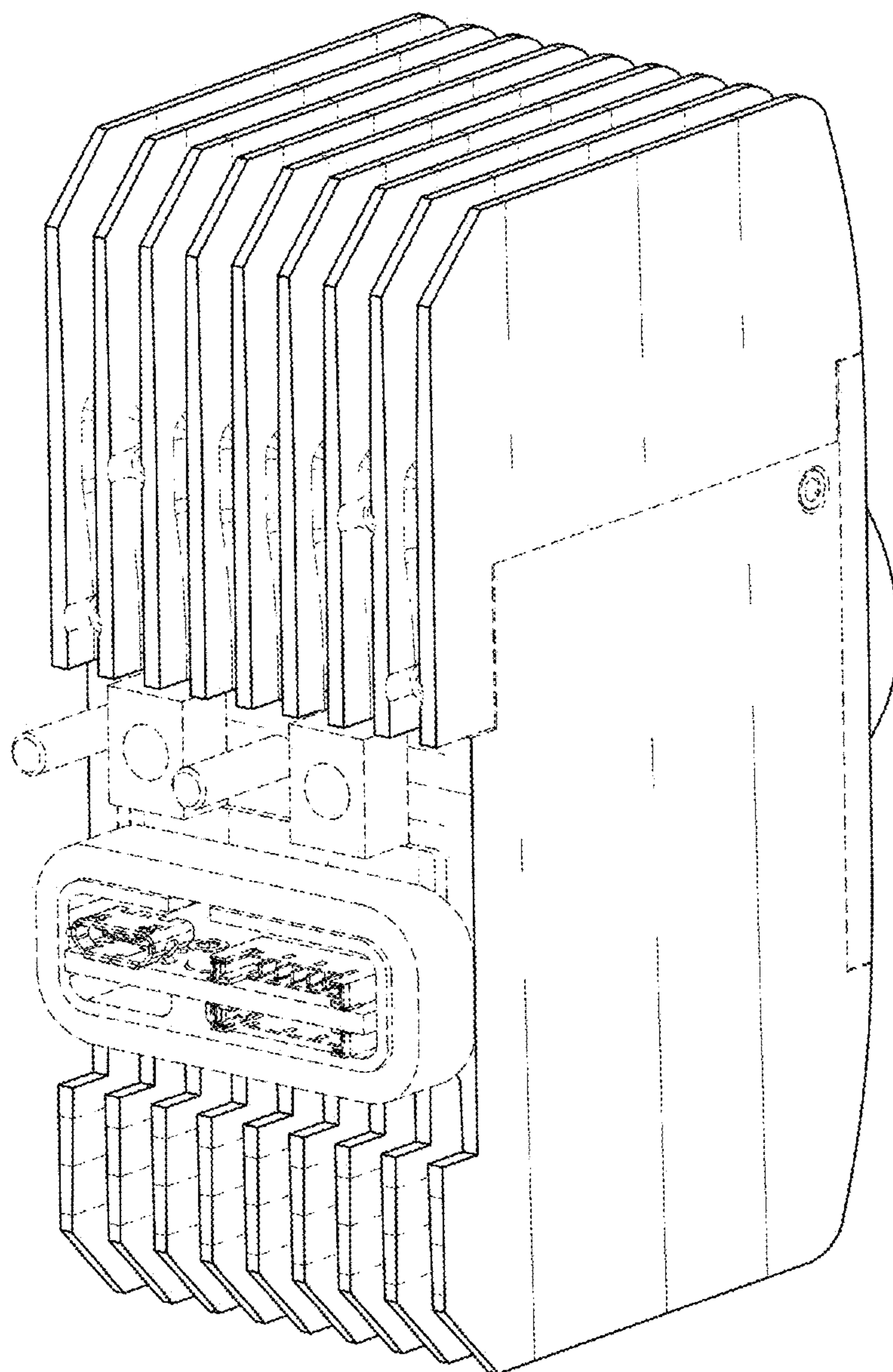


FIG. 2

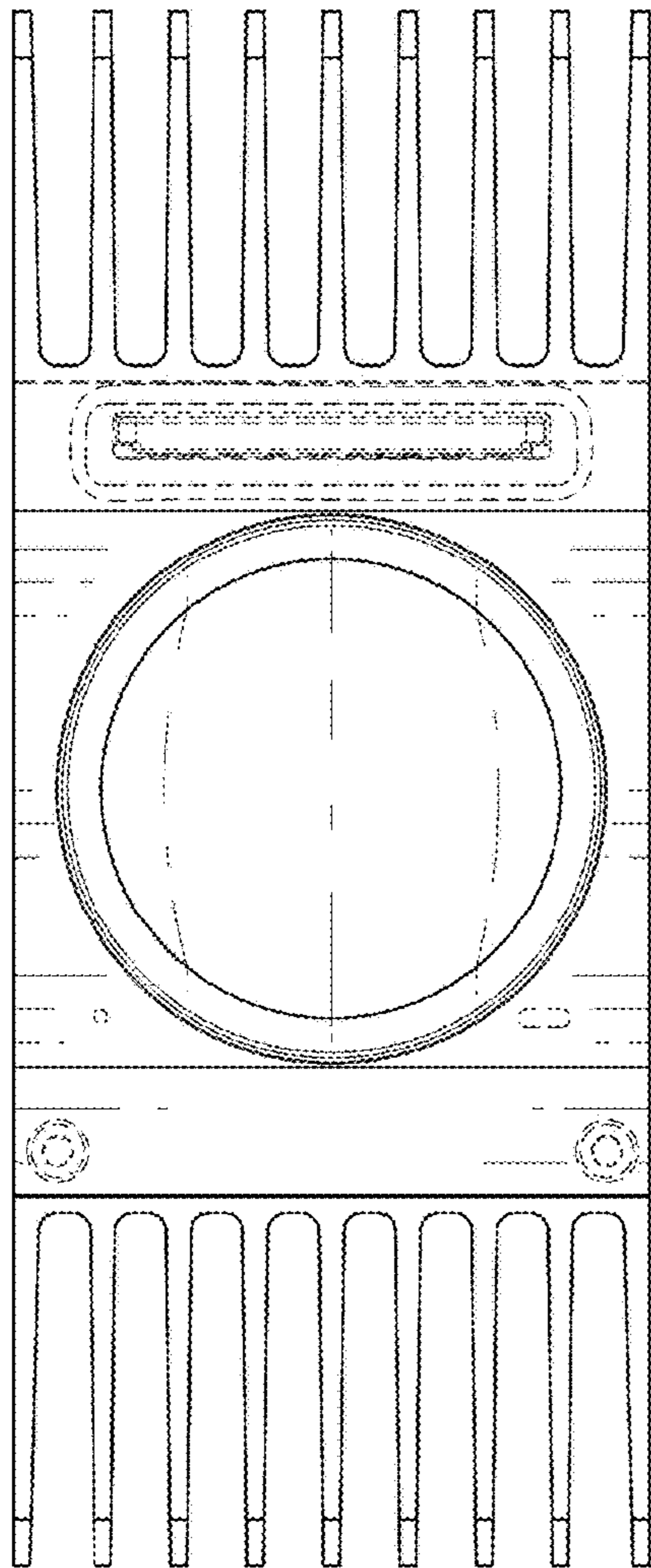


FIG. 3

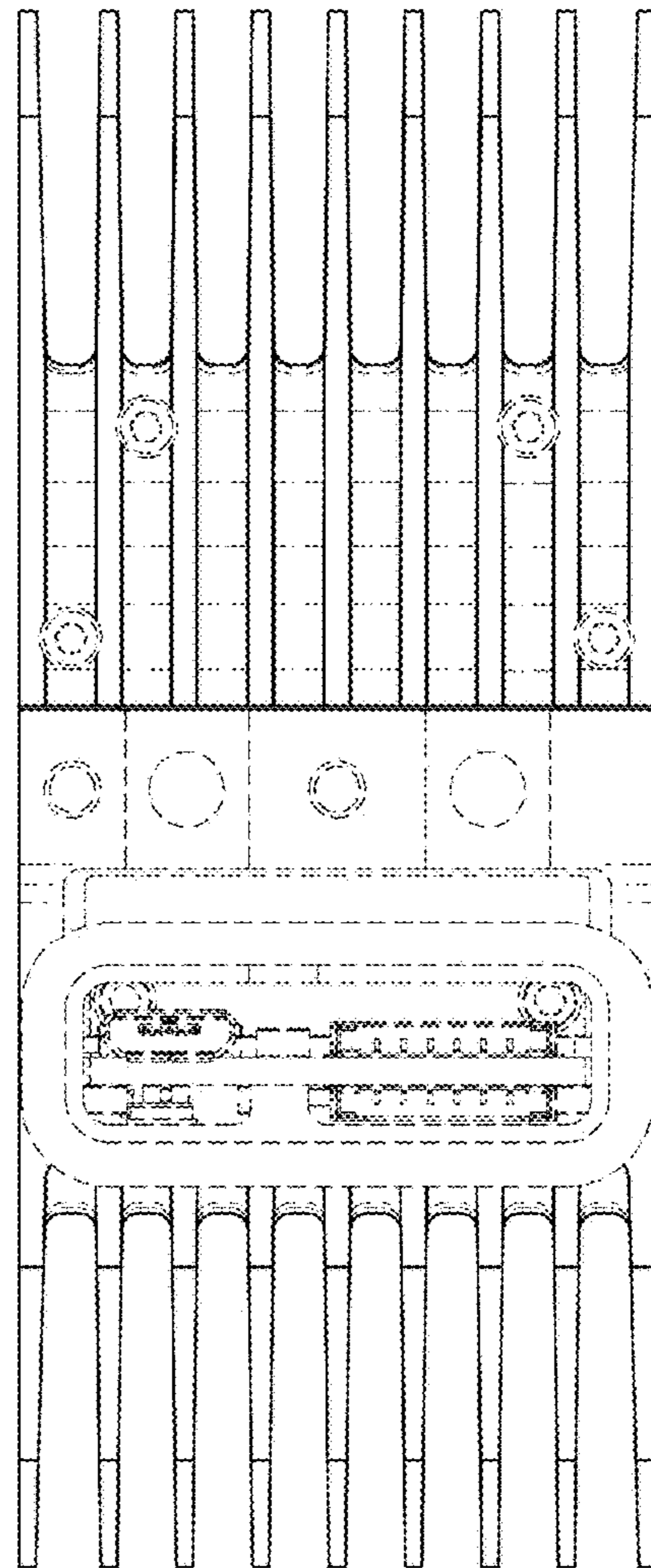


FIG. 4

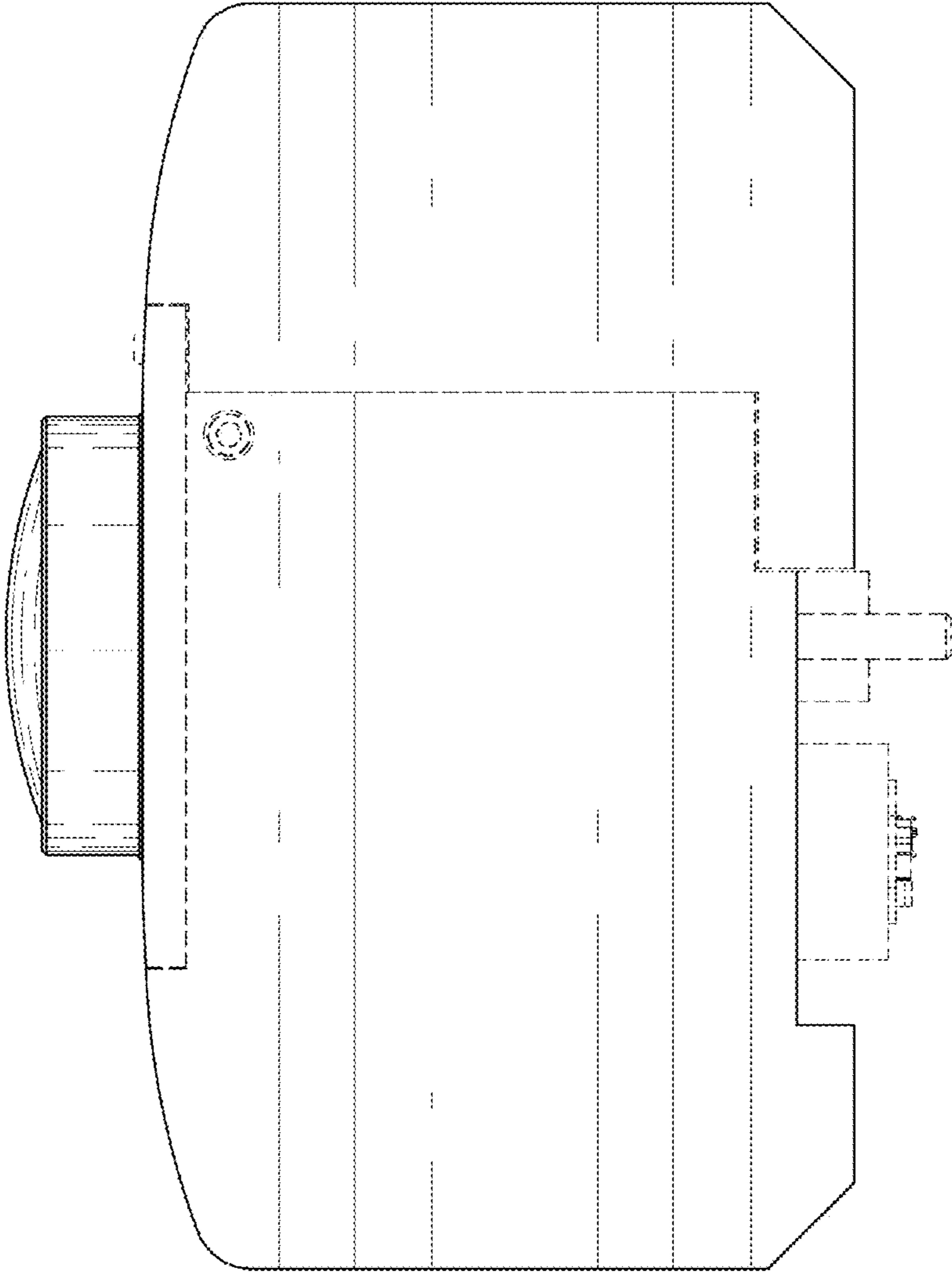


FIG. 5

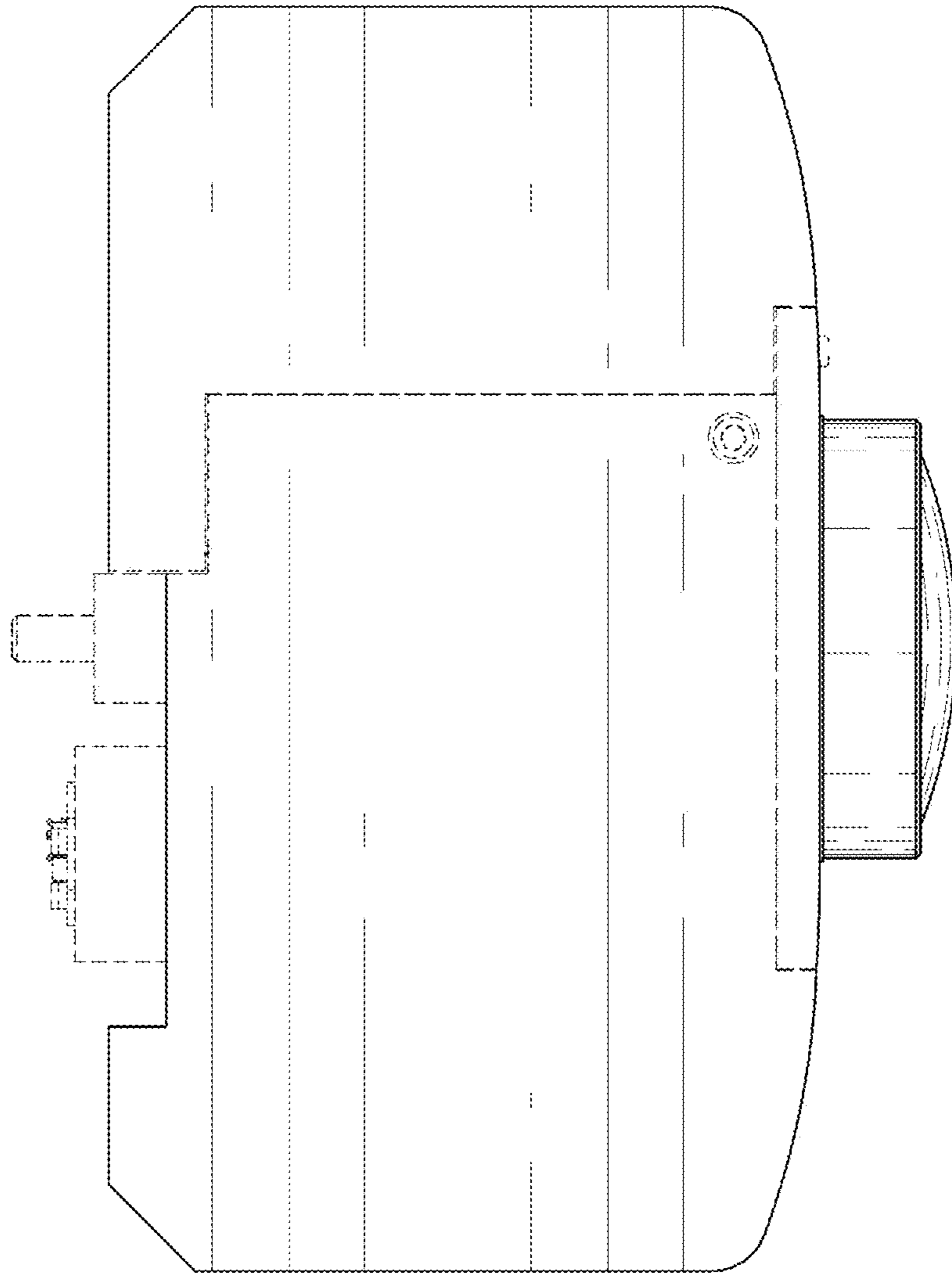


FIG. 6

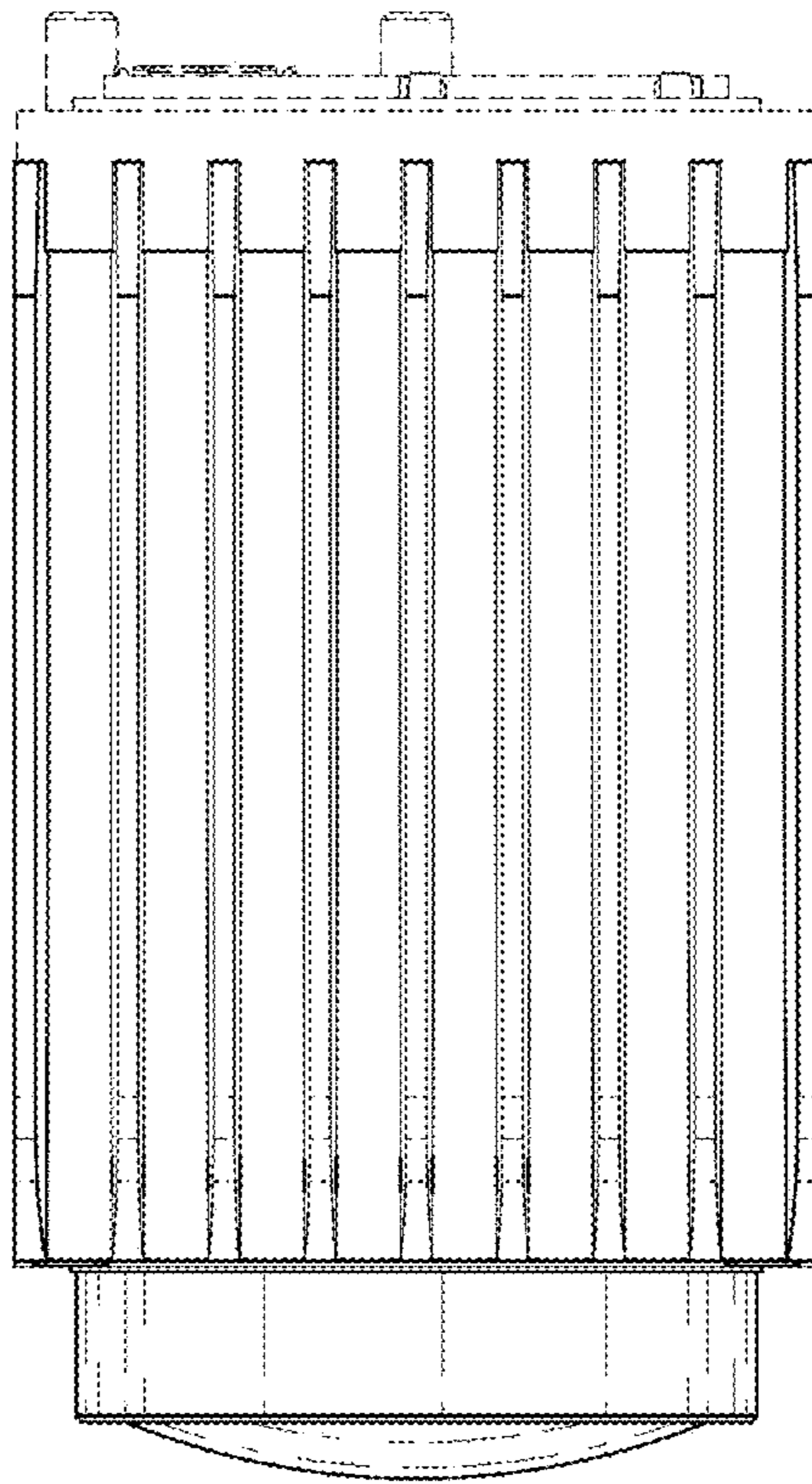


FIG. 7

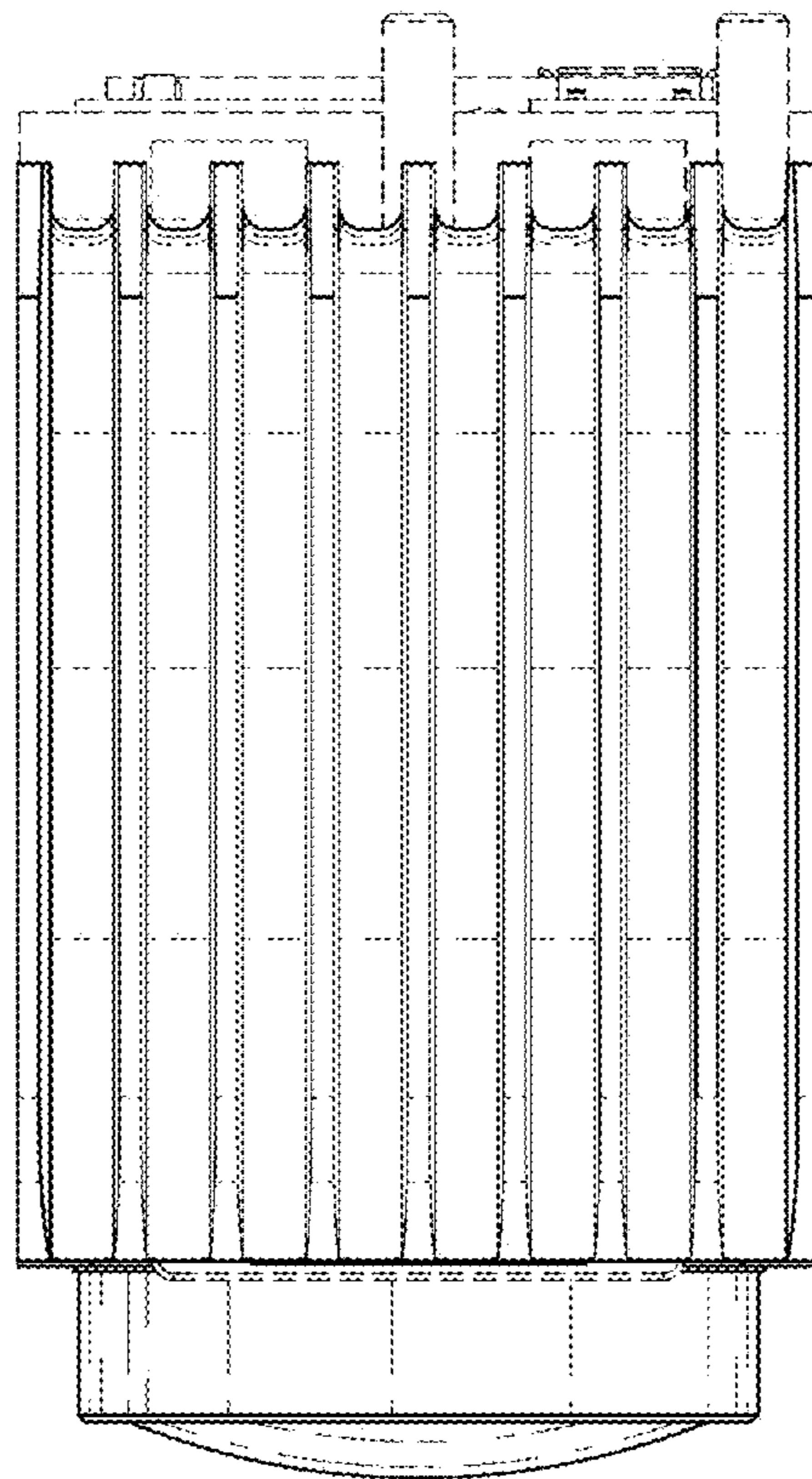


FIG. 8